



US00D949935S

(12) **United States Design Patent** (10) **Patent No.:** **US D949,935 S**
Cao (45) **Date of Patent:** **** Apr. 26, 2022**

(54) **ICE TRAY**
(71) Applicant: **Bingbing Cao**, Nanchang (CN)
(72) Inventor: **Bingbing Cao**, Nanchang (CN)
(**) Term: **15 Years**

D879,163 S 3/2020 Burns et al.
D880,542 S * 4/2020 Burns D15/90
D910,090 S * 2/2021 Chen D15/90
D930,718 S * 9/2021 Zhou D15/90
2015/0107275 A1 4/2015 Papalia

(21) Appl. No.: **29/758,589**
(22) Filed: **Nov. 17, 2020**

FOREIGN PATENT DOCUMENTS

CN 306125217 * 6/2020
CN 306815828 * 5/2021

(30) **Foreign Application Priority Data**

Jun. 17, 2020 (CN) 202030311960.6
(51) **LOC (13) Cl.** **15-07**
(52) **U.S. Cl.**
USPC **D15/90; D7/672**
(58) **Field of Classification Search**
USPC D7/368, 387, 619.1, 669, 672, 675, 676;
D15/79, 80, 90; D9/757, 759; D1/100
CPC F25C 1/08; F25C 1/24; F25C 1/25; F25C
1/243; F25C 1/246
See application file for complete search history.

OTHER PUBLICATIONS

N/A, Ice Cube Tray with Lid—2 Pack Silicone Ice Cube Trays for Freezer, Reusable Flexible Ice Molds, (first available date Mar. 10, 2021), Amazon.com, URL:<https://www.amazon.com/Ice-Cube-Tray-Lid-Free , /dp/B08YK7K1V4> (Year: 2021).*

(Continued)

Primary Examiner — Calvin E Vansant
Assistant Examiner — Mark T. Philipps
(74) *Attorney, Agent, or Firm* — Rumit Ranjit Kanakia

(56) **References Cited**

U.S. PATENT DOCUMENTS

4,222,547 A * 9/1980 Lalonde F25C 1/243
249/120
D318,281 S * 7/1991 McKinlay D15/90
5,393,032 A 2/1995 Cederroth
D434,427 S 11/2000 Di Bitonto et al.
D480,736 S 10/2003 Wright
7,014,162 B2 3/2006 Lion et al.
D597,565 S 8/2009 Lion et al.
D654,517 S 2/2012 Merritt
D759,735 S * 6/2016 Tsai D15/90
D819,094 S * 5/2018 Hume D15/90
D840,446 S 2/2019 Crisman et al.
D846,604 S 4/2019 Lopez

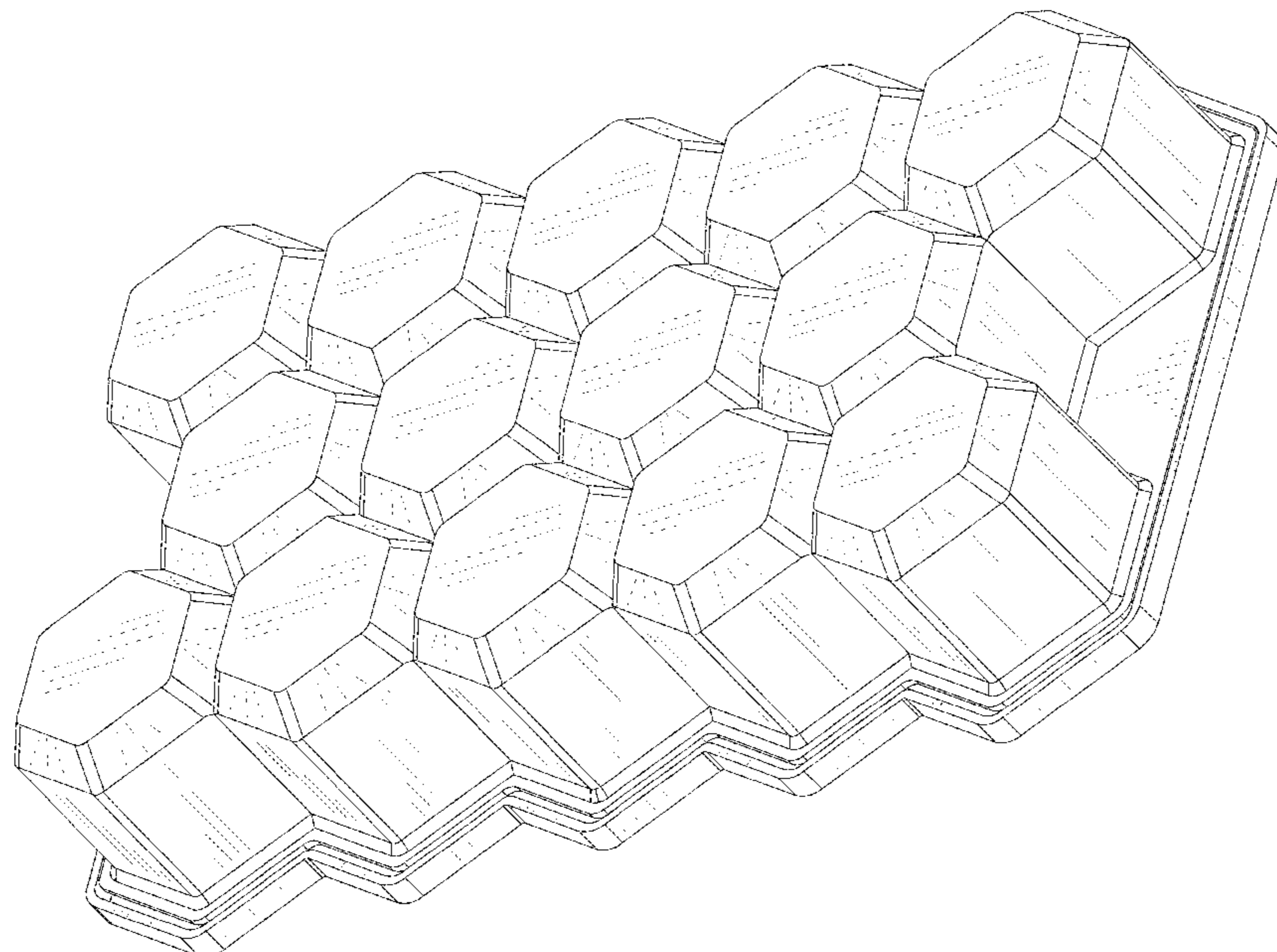
(57) **CLAIM**

The ornamental design for an ice tray, as shown and described.

DESCRIPTION

FIG. 1 is a bottom perspective view of an ice tray showing my new design;
FIG. 2 is a left-side view thereof;
FIG. 3 is a right-side view thereof;
FIG. 4 is a front view thereof;
FIG. 5 is a rear view thereof;
FIG. 6 is a bottom view thereof; and,
FIG. 7 is a top view thereof.

1 Claim, 7 Drawing Sheets



(56)

References Cited

OTHER PUBLICATIONS

iReaydo, Upgrade Ice Cube Trays, 2 Pack Silicone Flexible Ice Cube Trays with Lid, (first available date Jan. 11, 2021), Amazon.com, URL:<<https://www.amazon.com/Silicone-Easy-Release-Flexible-Honeycomb-Cocktail/dp/B08SLZX7RF>> (Year: 2021).*

Honutige, Silicone Ice Cube Trays 2 Pack, 13 Grids Reusable Ice Cube Mold With Lid Honeycomb Flexible Ice, (first available date Apr. 6, 2021), Amazon.com, URL:<<https://www.amazon.com/Silicone-Honeycomb-Cocktails-Easy-Release-Non-Spillable/dp/B091SMF32S>> (Year: 2021).*

* cited by examiner

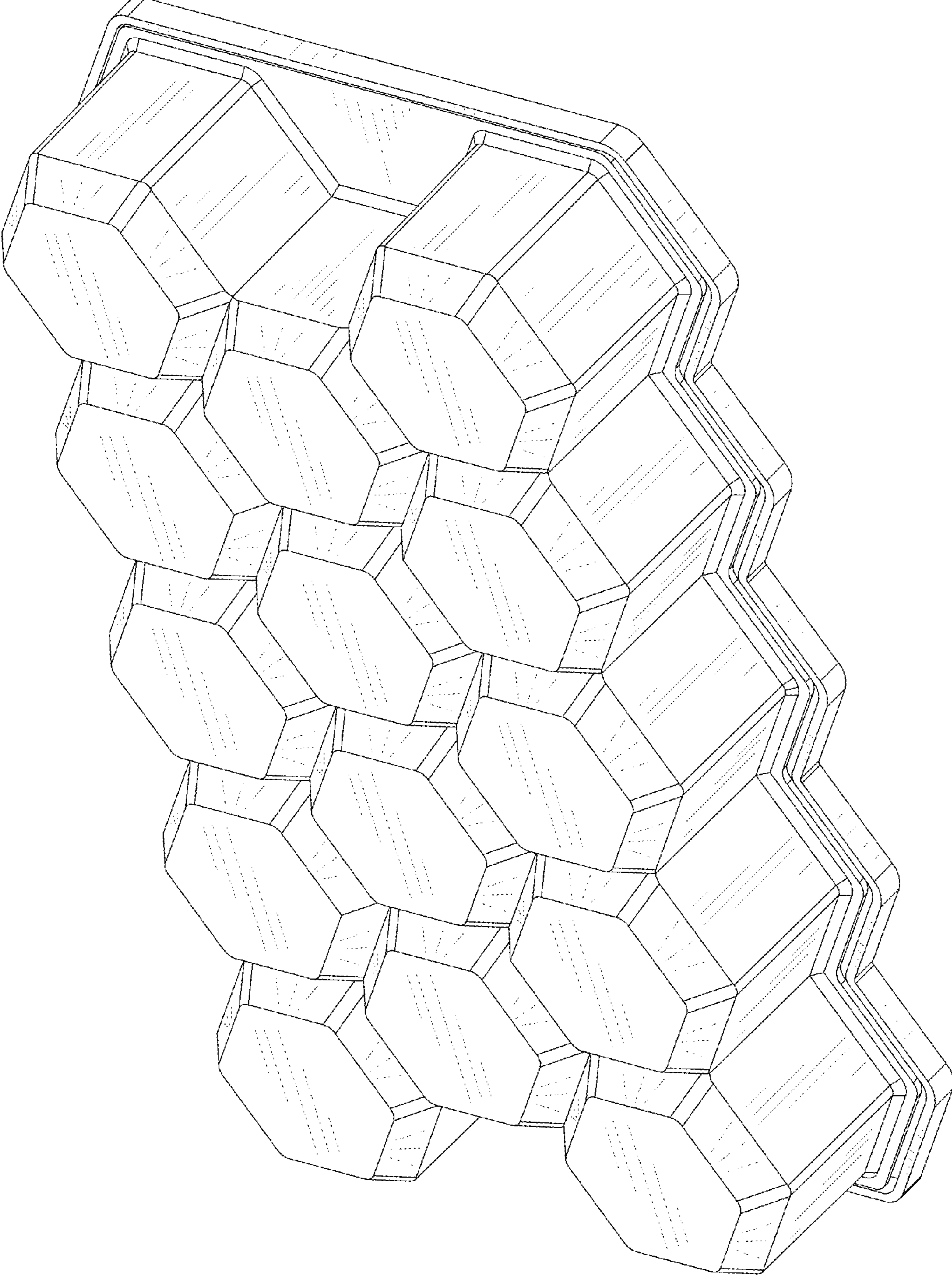


FIG.1

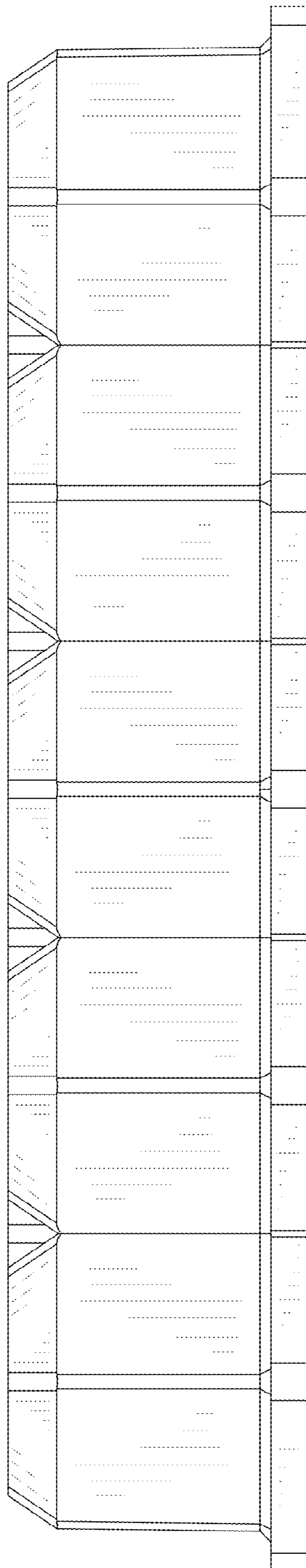


FIG. 2

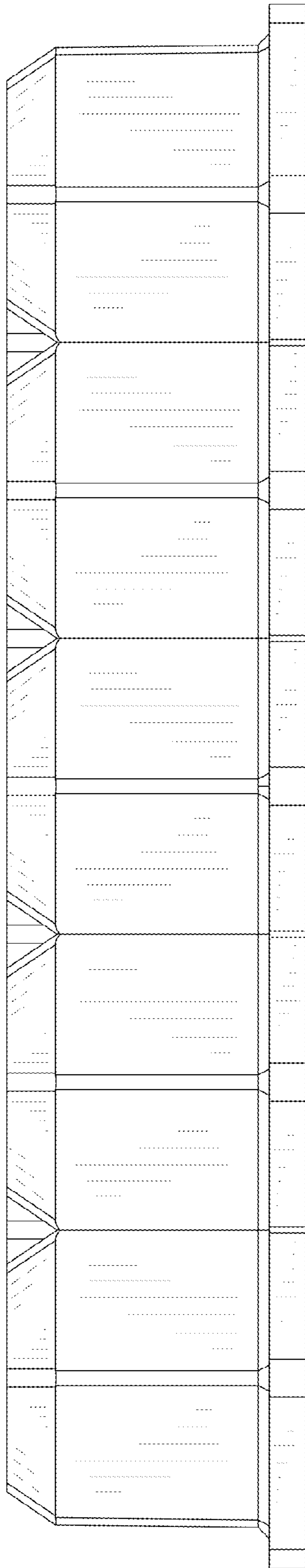


FIG. 3

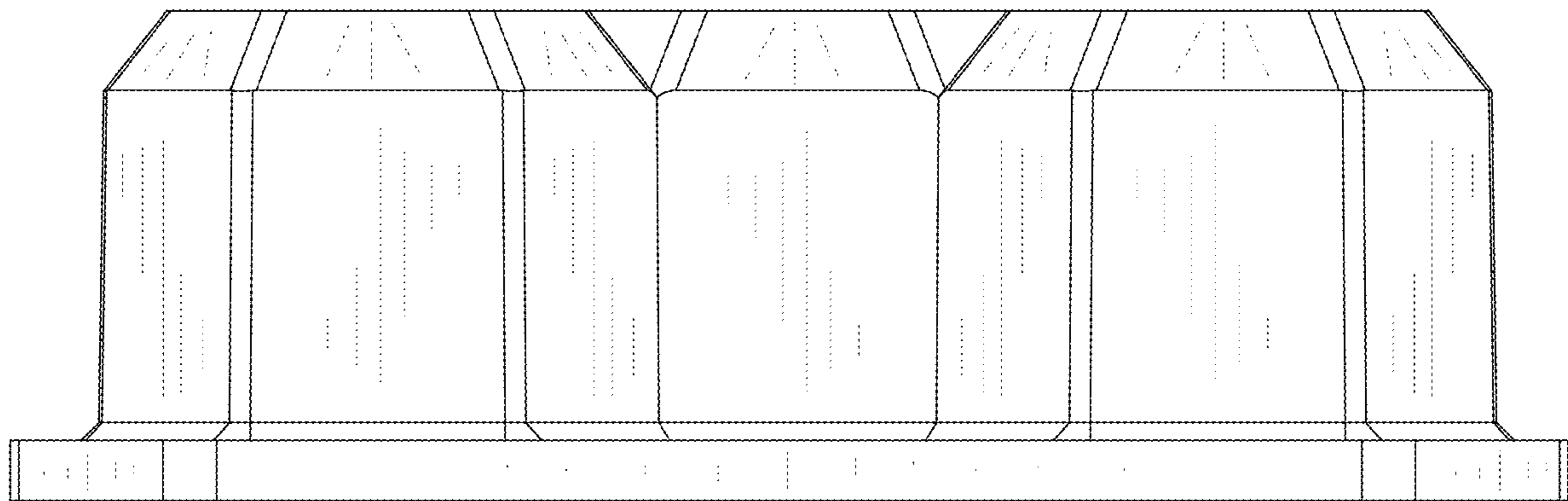


FIG. 4

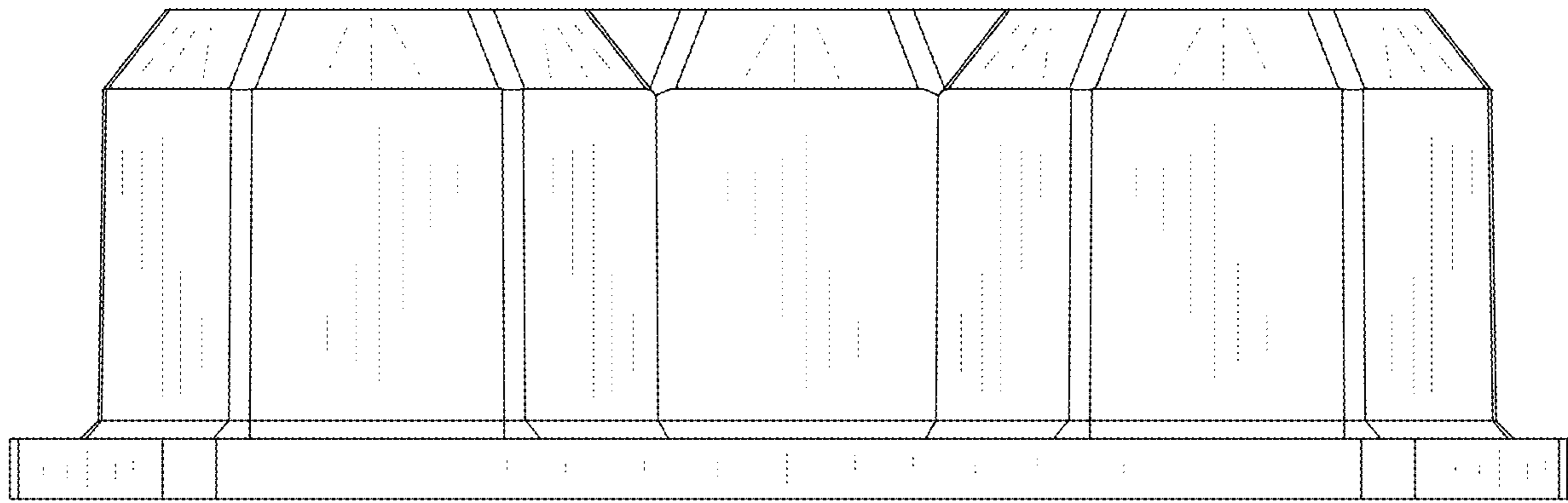


FIG. 5

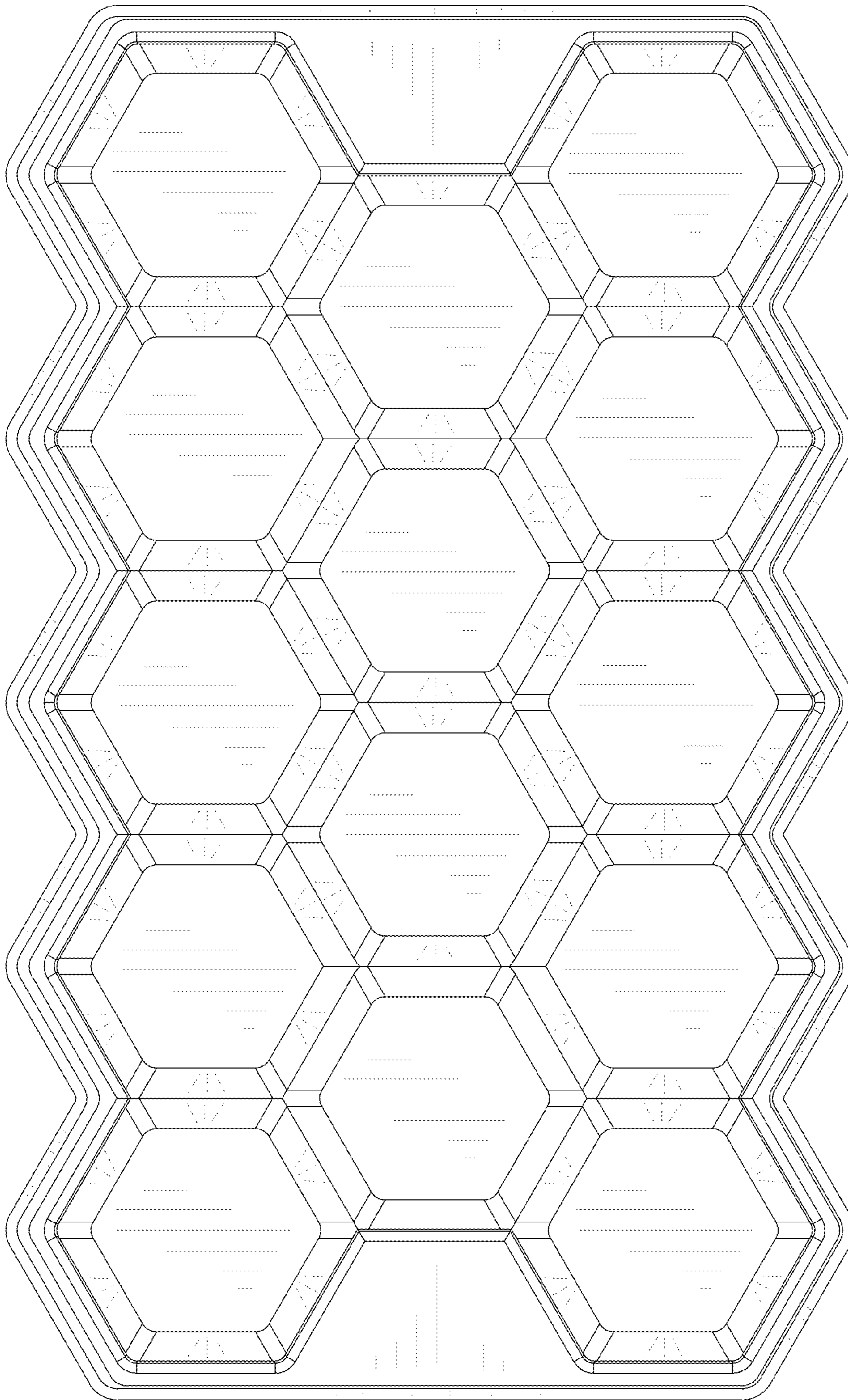


FIG. 6

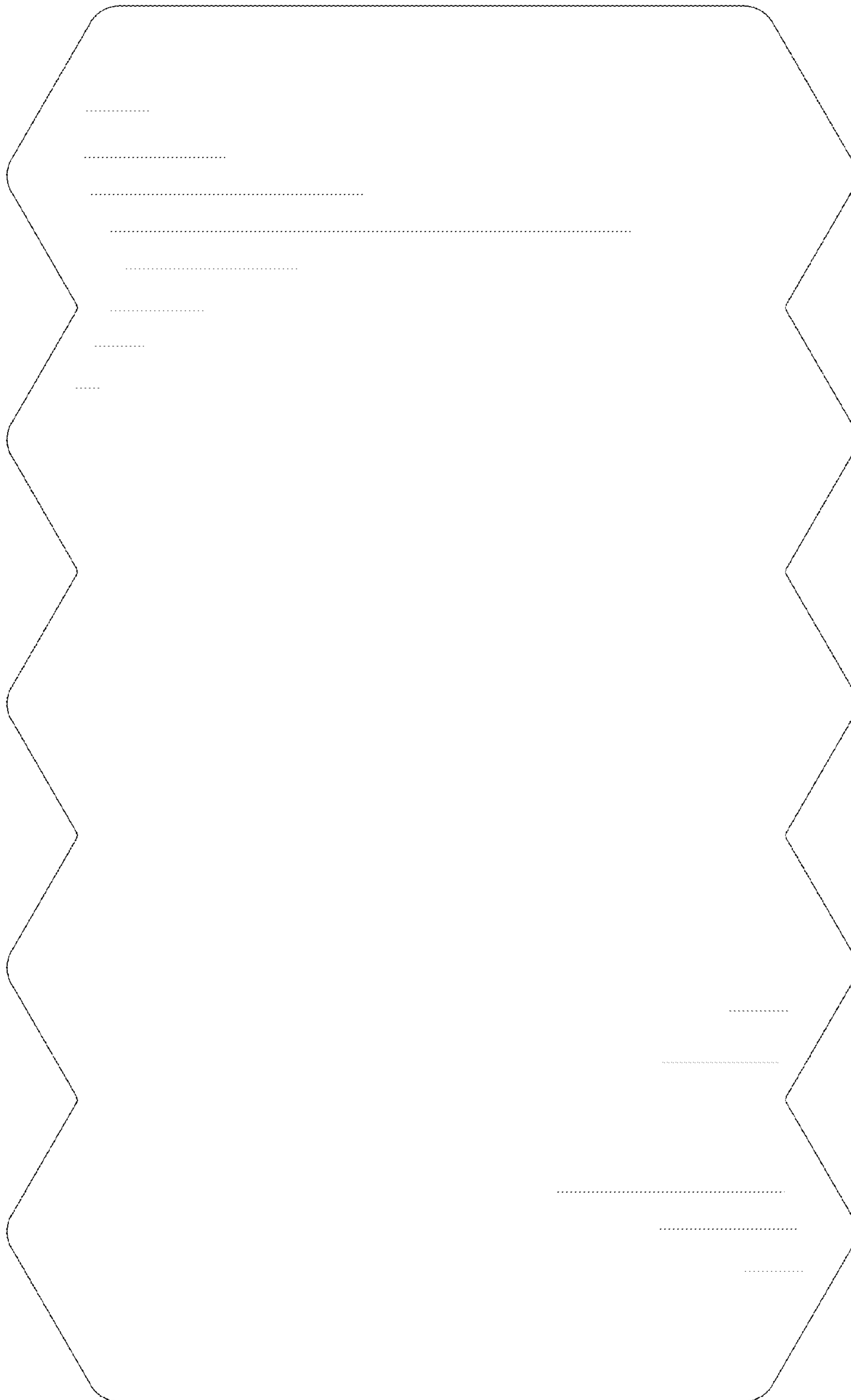


FIG. 7