



US00D949934S

(12) **United States Design Patent**  
**Chen**

(10) **Patent No.:** **US D949,934 S**

(45) **Date of Patent:** **\*\* Apr. 26, 2022**

(54) **ICE BOX WITH BULLET-SHAPED REUSABLE ICE CUBES**

(71) Applicant: **Xinjun Chen**, Yongzhou (CN)

(72) Inventor: **Xinjun Chen**, Yongzhou (CN)

(\*\*) Term: **15 Years**

(21) Appl. No.: **29/774,524**

(22) Filed: **Mar. 17, 2021**

(51) **LOC (13) Cl.** ..... **15-07**

(52) **U.S. Cl.**  
USPC ..... **D15/79**

(58) **Field of Classification Search**  
USPC ..... D15/79-91; D7/607, 605, 709, 710, 629  
CPC ..... F25D 2317/061; F25D 2317/067; F25D 2323/021; F25D 2323/024; F25D 23/028; F25D 23/04; F25D 23/066; F25D 23/085; F25D 23/087; F25D 23/126; F25D 2400/02; F25D 2400/06; F25D 2400/361; F25D 2400/40; F25D 25/005; F25D 25/02; F25D 2600/02; F25D 2700/02; F25D 2700/12; F25D 2700/121; F25D 2700/14; F25D 29/00

See application file for complete search history.

(56) **References Cited**

U.S. PATENT DOCUMENTS

D467,731 S	12/2002	Pratt	
D473,607 S	4/2003	Owens	
D484,696 S	1/2004	Au	
D485,682 S	1/2004	Wolf	
D566,963 S	4/2008	Staab	
D586,368 S	2/2009	Bae	
D815,496 S *	4/2018	Larson	D7/607
D817,106 S *	5/2018	Larson	D7/607
D829,244 S *	9/2018	Sullivan	D15/79
D837,000 S *	1/2019	Jacobsen	D7/607

D837,001 S *	1/2019	Jacobsen	D7/607
D862,177 S *	10/2019	Seiders	D7/607
D862,528 S *	10/2019	Sullivan	D15/79
D868,544 S *	12/2019	Lin	D7/605
D894,692 S *	9/2020	Herold	D7/607
D896,591 S *	9/2020	Seiders	D7/607
D897,780 S *	10/2020	Seiders	D7/607
D899,197 S *	10/2020	Seiders	D7/607
D899,865 S *	10/2020	Shi	D7/605
D902,664 S *	11/2020	Munie	D7/605
D924,945 S *	7/2021	Sullivan	D15/79
2005/0072181 A1 *	4/2005	Mogil	B65D 81/3858 62/457.7
2015/0136796 A1 *	5/2015	Muehlhauser	B65D 11/1833 220/592.2
2018/0229911 A1 *	8/2018	Luo	B65D 81/3818
2019/0170422 A1 *	6/2019	Dexter	F25D 31/002

\* cited by examiner

*Primary Examiner* — Khawaja Anwar

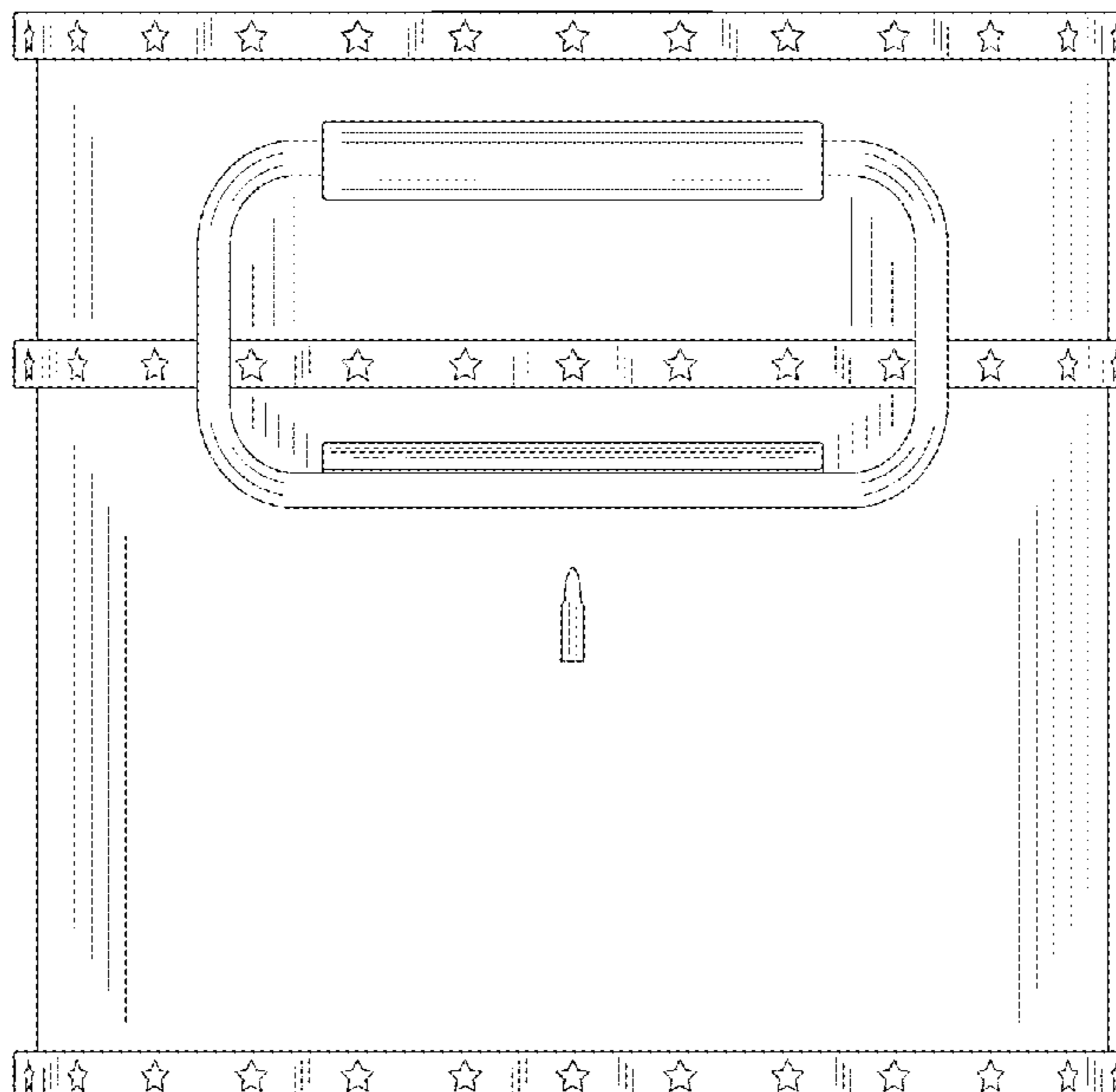
(57) **CLAIM**

The ornamental design for an ice box with bullet-shaped reusable ice cubes, as shown and described.

**DESCRIPTION**

FIG. 1 is a front view of the ice box with bullet-shaped reusable ice cubes showing my new design; FIG. 2 is a back view thereof; FIG. 3 is a left side view thereof; FIG. 4 is a right side view thereof; FIG. 5 is a top view thereof; FIG. 6 is a bottom view thereof; FIG. 7 is a perspective view thereof; FIG. 8 is another perspective view thereof, wherein the lid of the ice box with bullet-shaped reusable ice cubes is open; and, FIG. 9 is another perspective view thereof, showing its bullet-shaped reusable ice cubes.

**1 Claim, 9 Drawing Sheets**



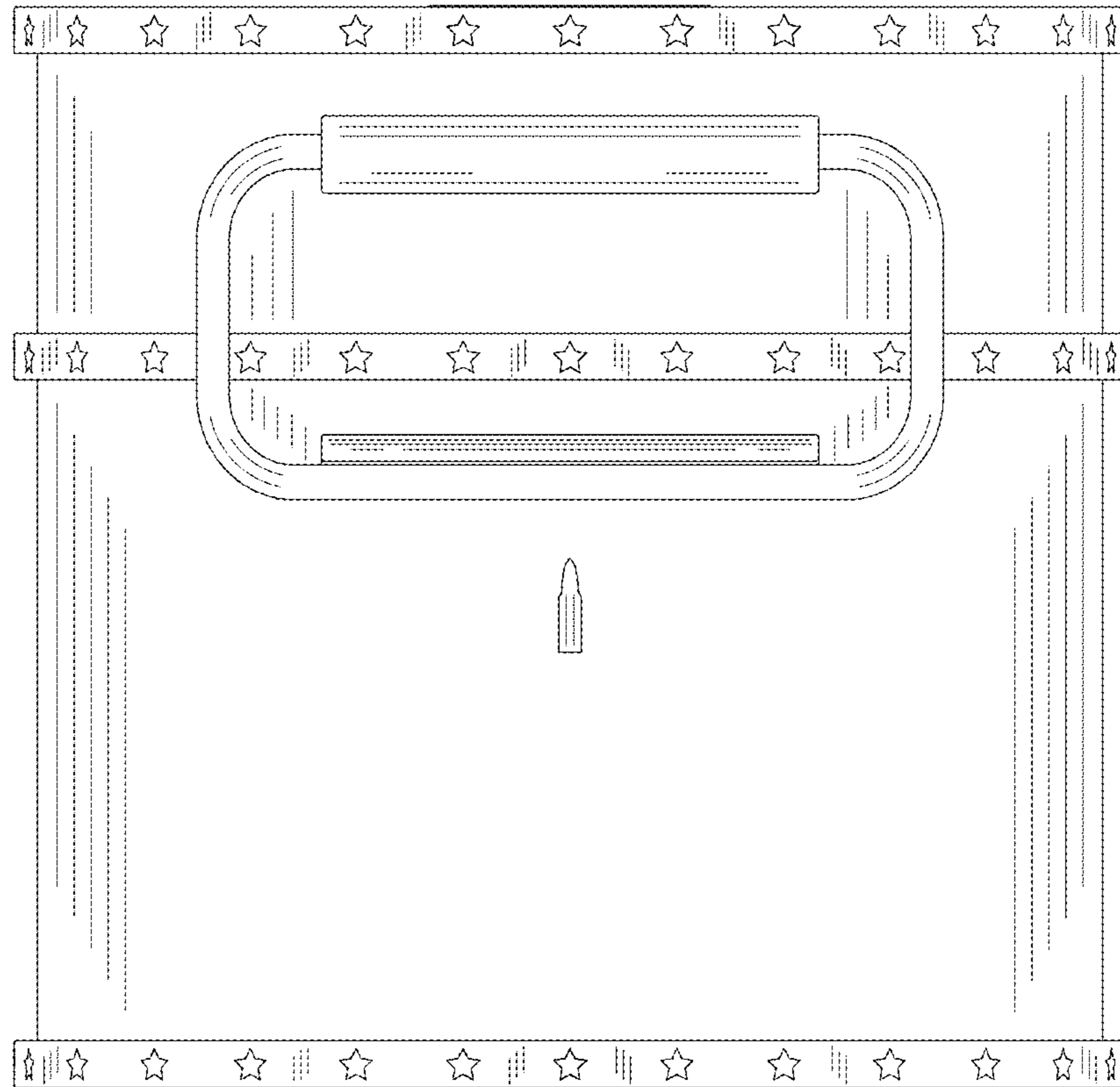


FIG. 1

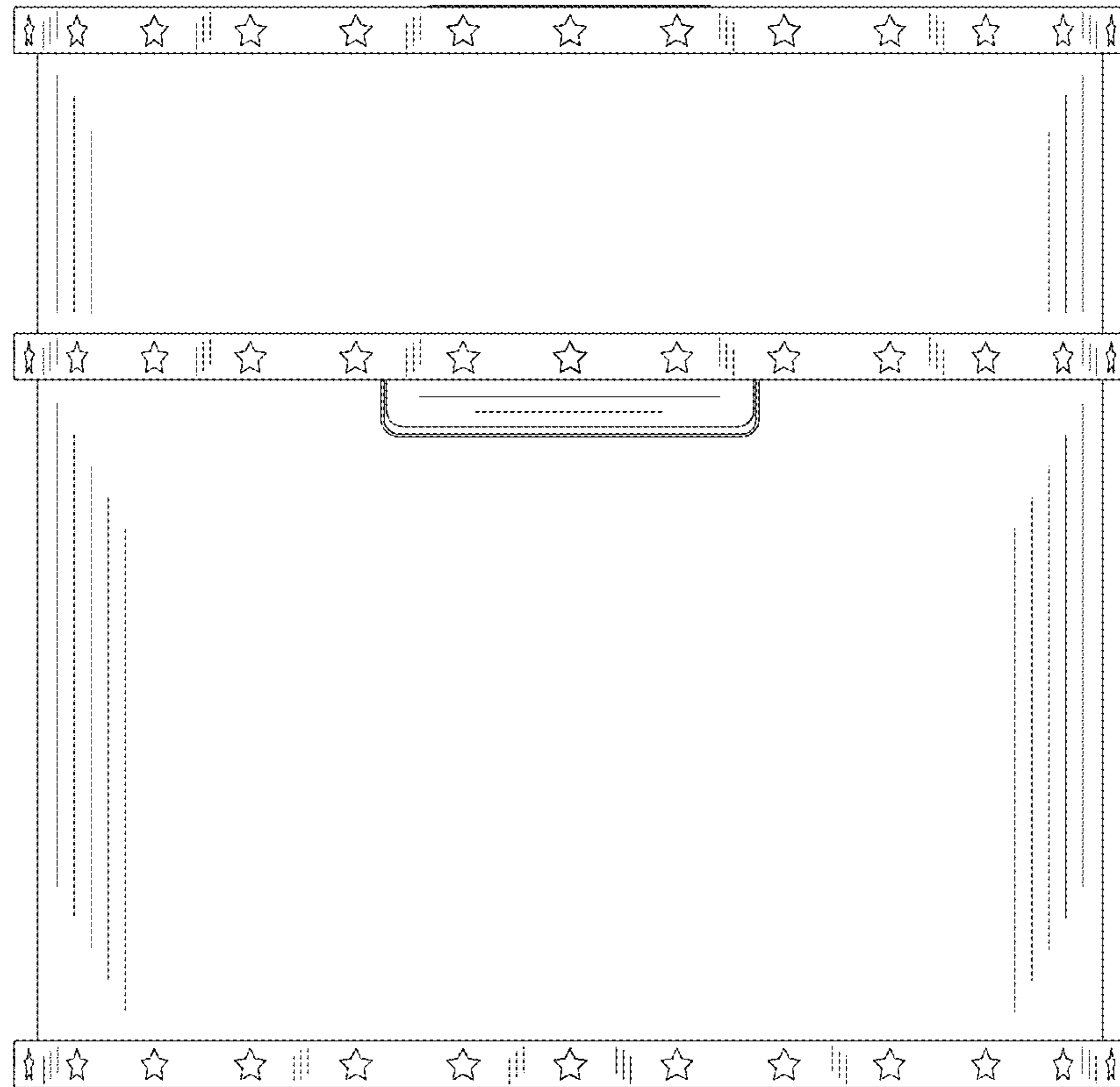


FIG. 2

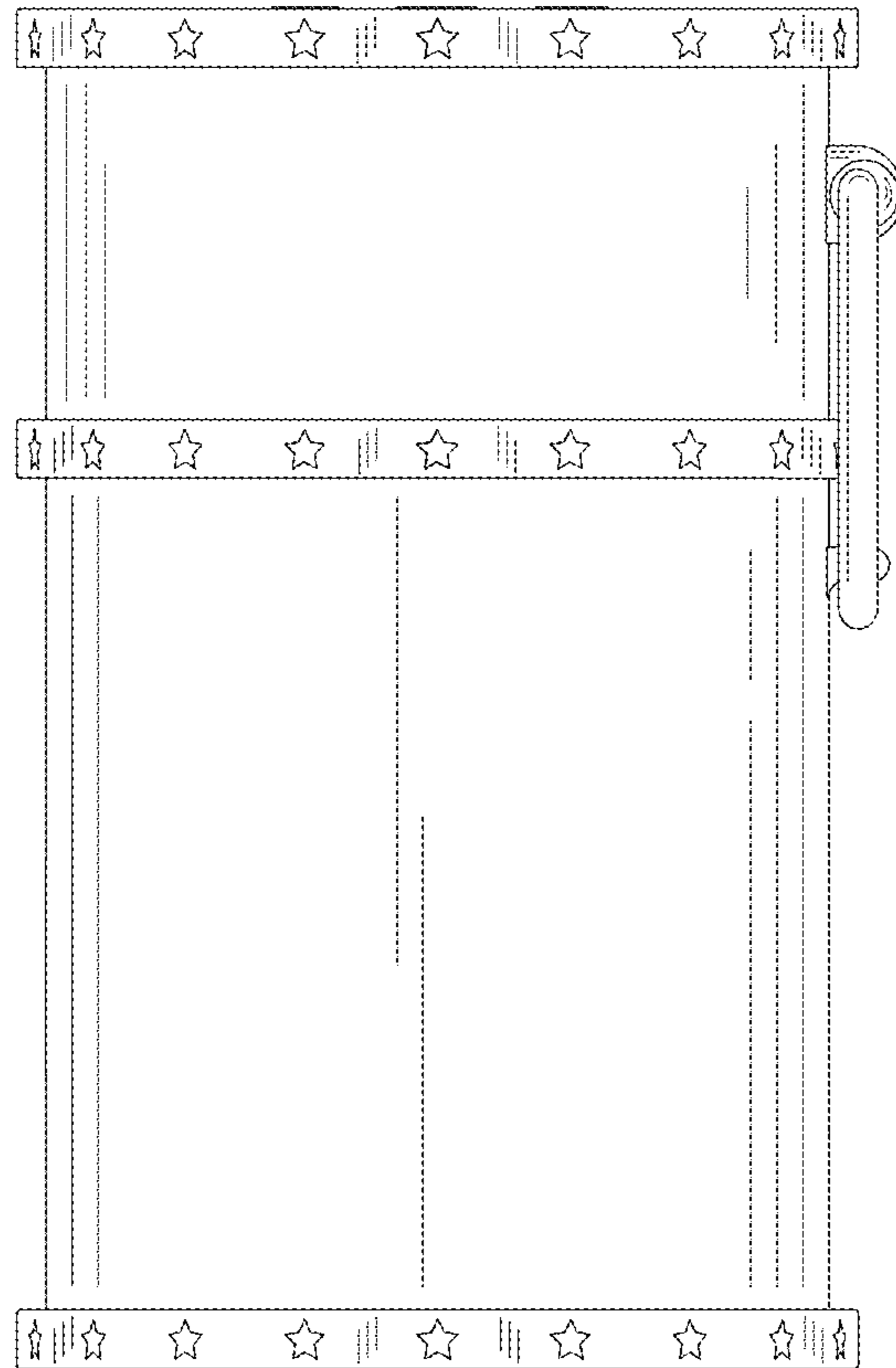


FIG. 3

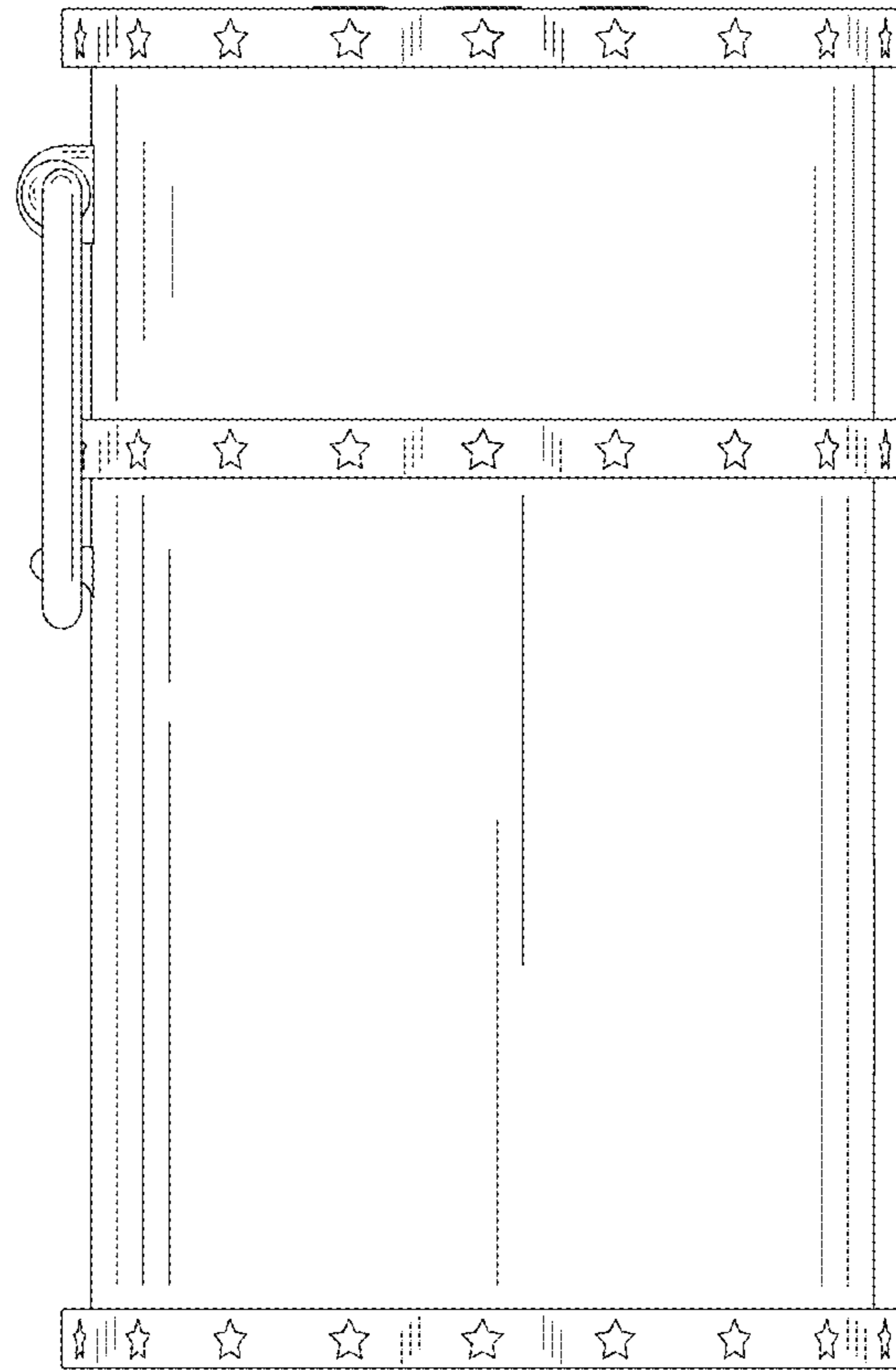


FIG. 4

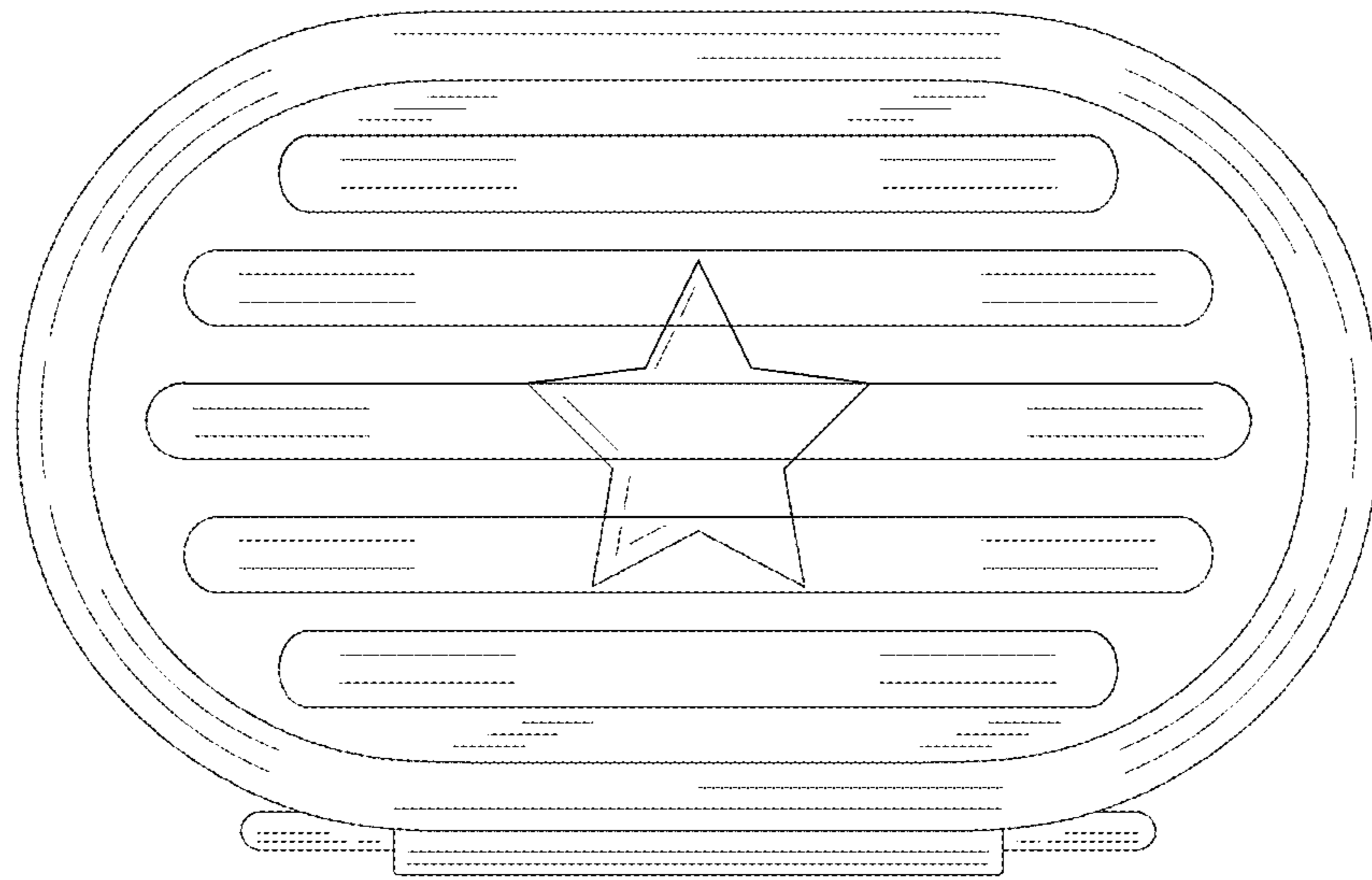


FIG. 5

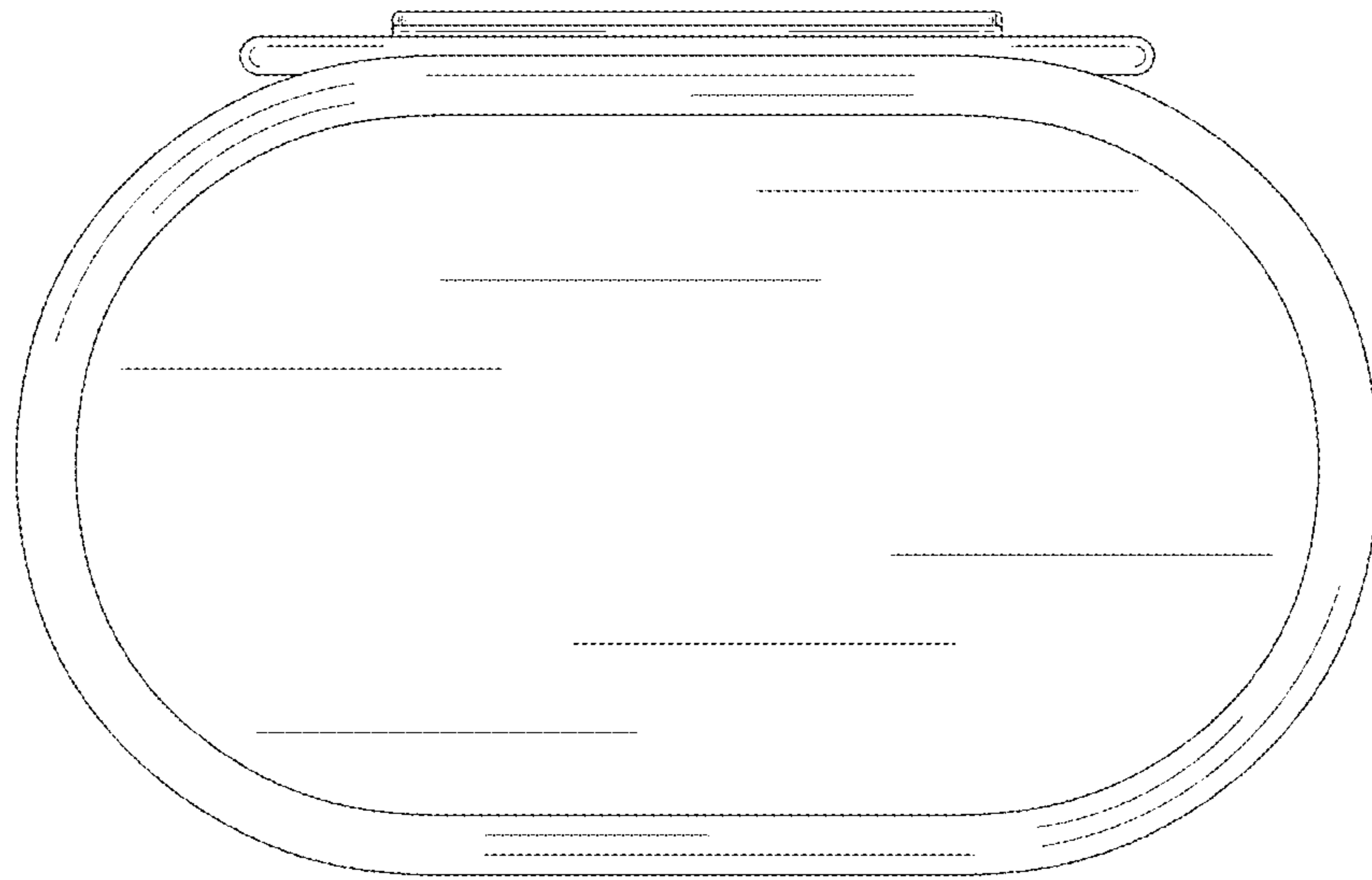


FIG. 6

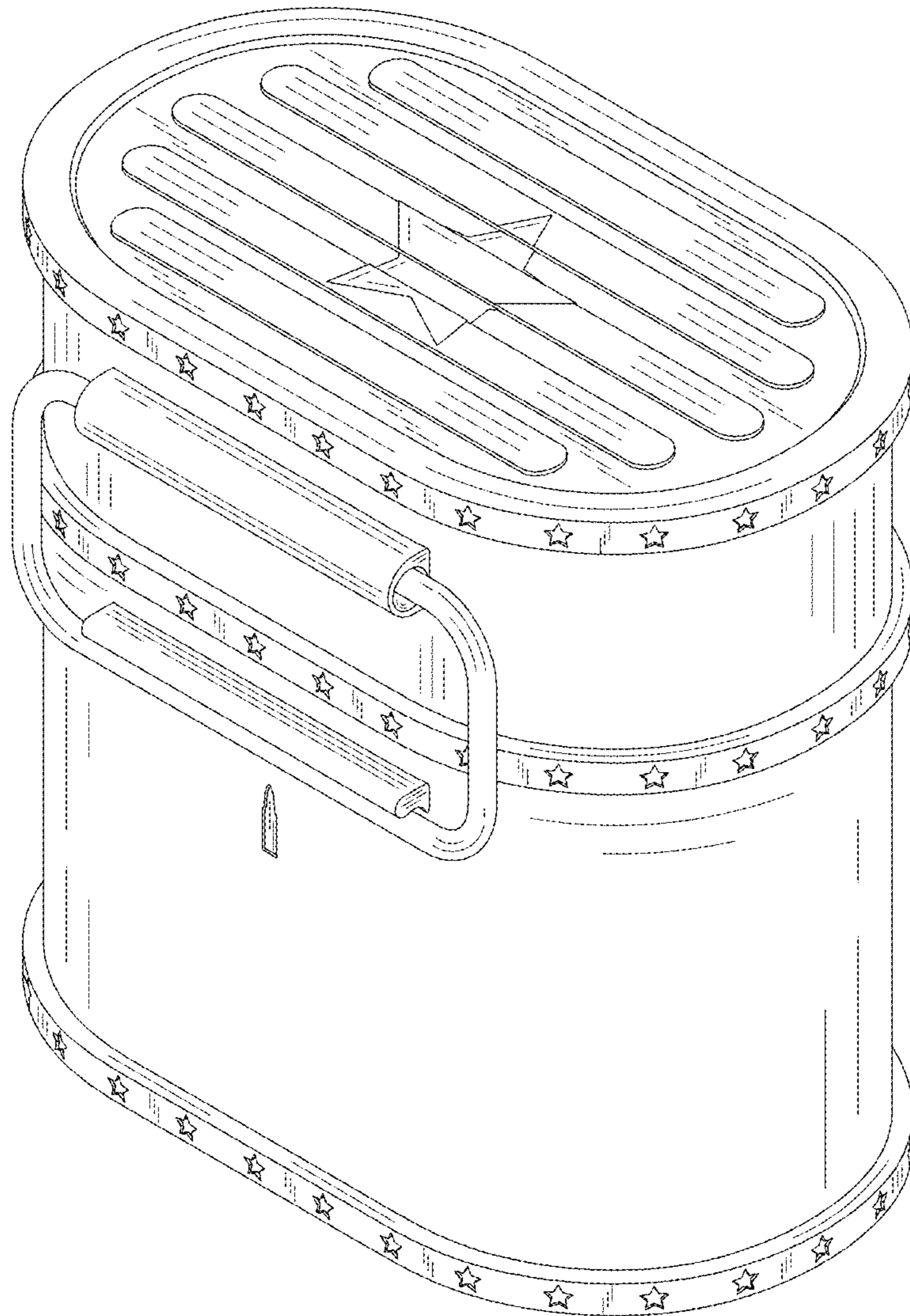


FIG. 7



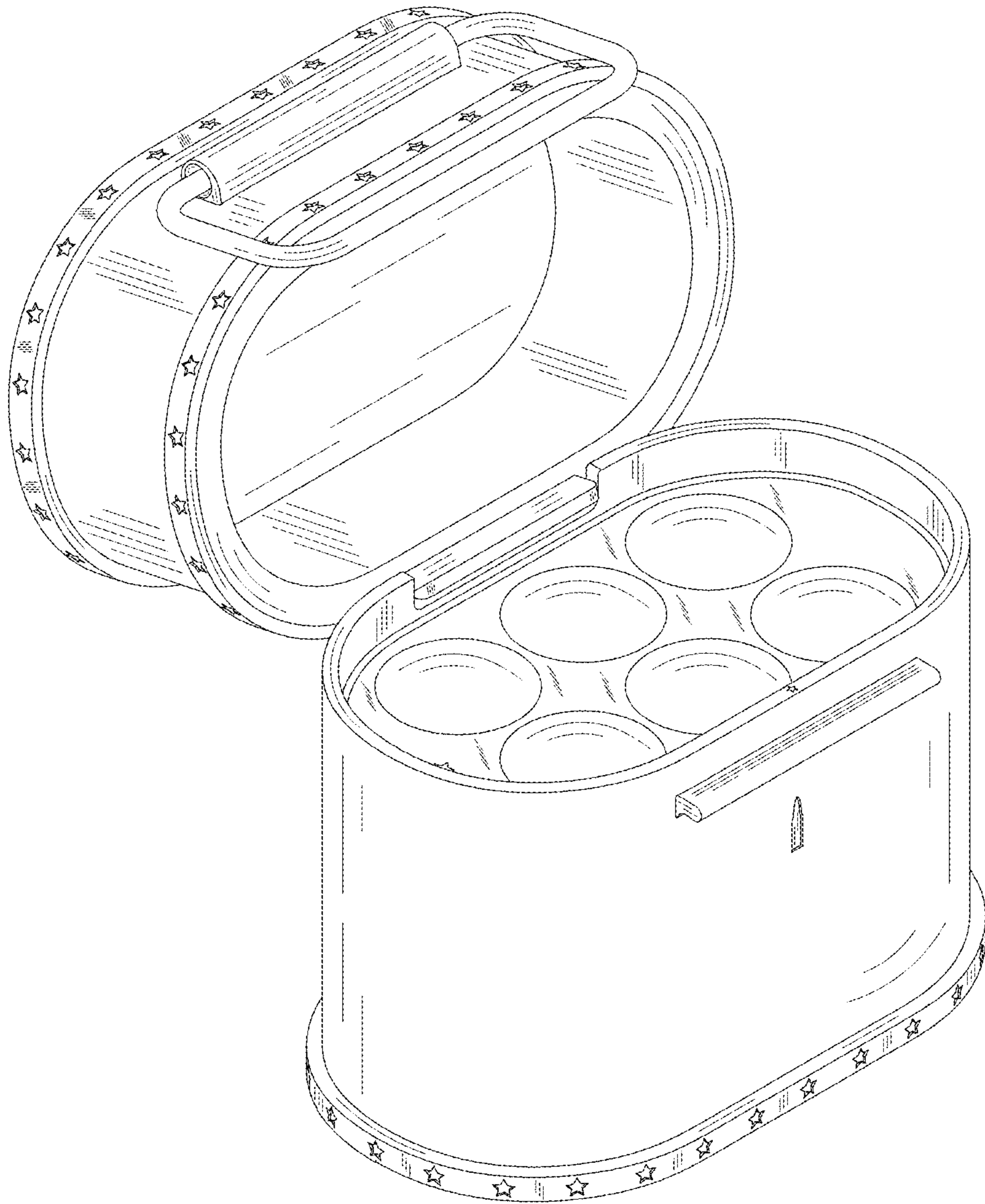


FIG. 8

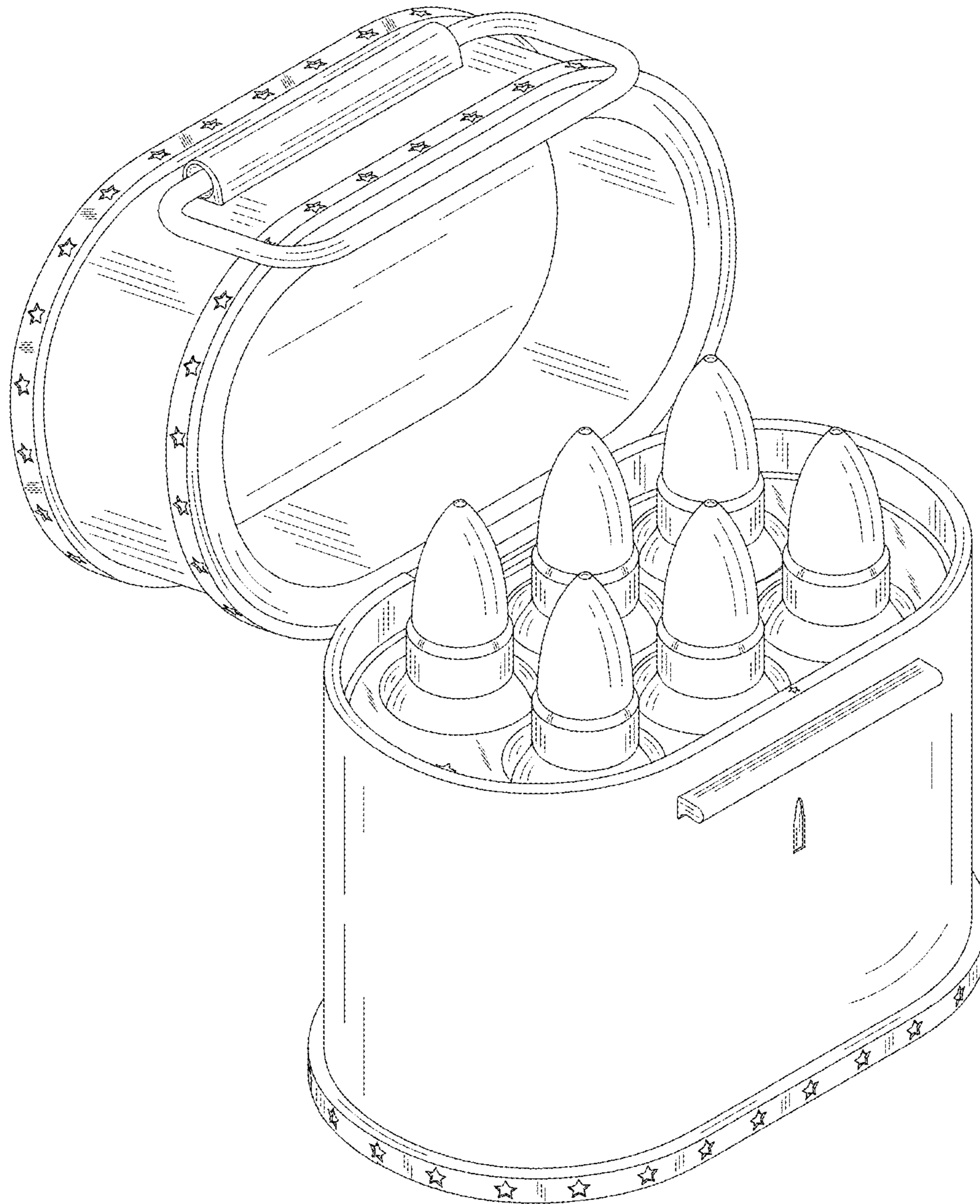


FIG. 9