



US00D949933S

(12) **United States Design Patent** (10) **Patent No.:** **US D949,933 S**
Lauchnor et al. (45) **Date of Patent:** **** Apr. 26, 2022**

(54) **COOLING DEVICE**

(71) Applicant: **Blue Quench LLC**, Miramar Beach, FL (US)

(72) Inventors: **John C. Lauchnor**, Miramar Beach, FL (US); **James Ormond**, Belmont, MA (US); **James Varney**, Bolton, MA (US)

(73) Assignee: **Blue Quench LLC**, Miramar Beach, FL (US)

(**) Term: **15 Years**

(21) Appl. No.: **29/686,827**

(22) Filed: **Apr. 8, 2019**

(51) **LOC (13) Cl.** **15-07**

(52) **U.S. Cl.**
USPC **D15/79**

(58) **Field of Classification Search**
USPC D15/79-91

CPC A47B 9/00; A47B 13/081; A47B 3/0912;
A47B 9/20; A47B 13/023; A47B 13/083;
A47B 13/088; A47B 1/05; A47B 3/0818;
A47B 5/04; A47B 13/06; A47B 13/10;
A47B 13/12; A47B 2003/004; A47B
2003/008; A47B 2003/0821; A47B
2003/083; A47B 2013/024; A47B
2021/0335; A47B 2023/047; A47B
2031/004; A47B 2083/006; A47B 21/00;
A47B 21/02; A47B 21/03; A47B 21/06;
A47B 2200/0079; A47B 23/046; A47B
25/00; A47B 31/04; A47B 3/002; A47B
3/02; A47B 3/06; A47B 3/083; A47B
3/087; A47B 3/091; A47B 3/0913; A47B
46/00; A47B 47/0075; A47B 5/006; A47B
5/02; A47B 77/022; A47B 7/02; A47B
81/00; A47B 81/06; A47B 83/001; A47B

(Continued)

(56) **References Cited**

U.S. PATENT DOCUMENTS

D526,338 S * 8/2006 McDougal D15/80
D702,265 S * 4/2014 Iovanel D15/85

(Continued)

Primary Examiner — Khawaja Anwar

(74) *Attorney, Agent, or Firm* — Winthrop & Weinstine, P.A.; Brian R. Pollack, Esq.

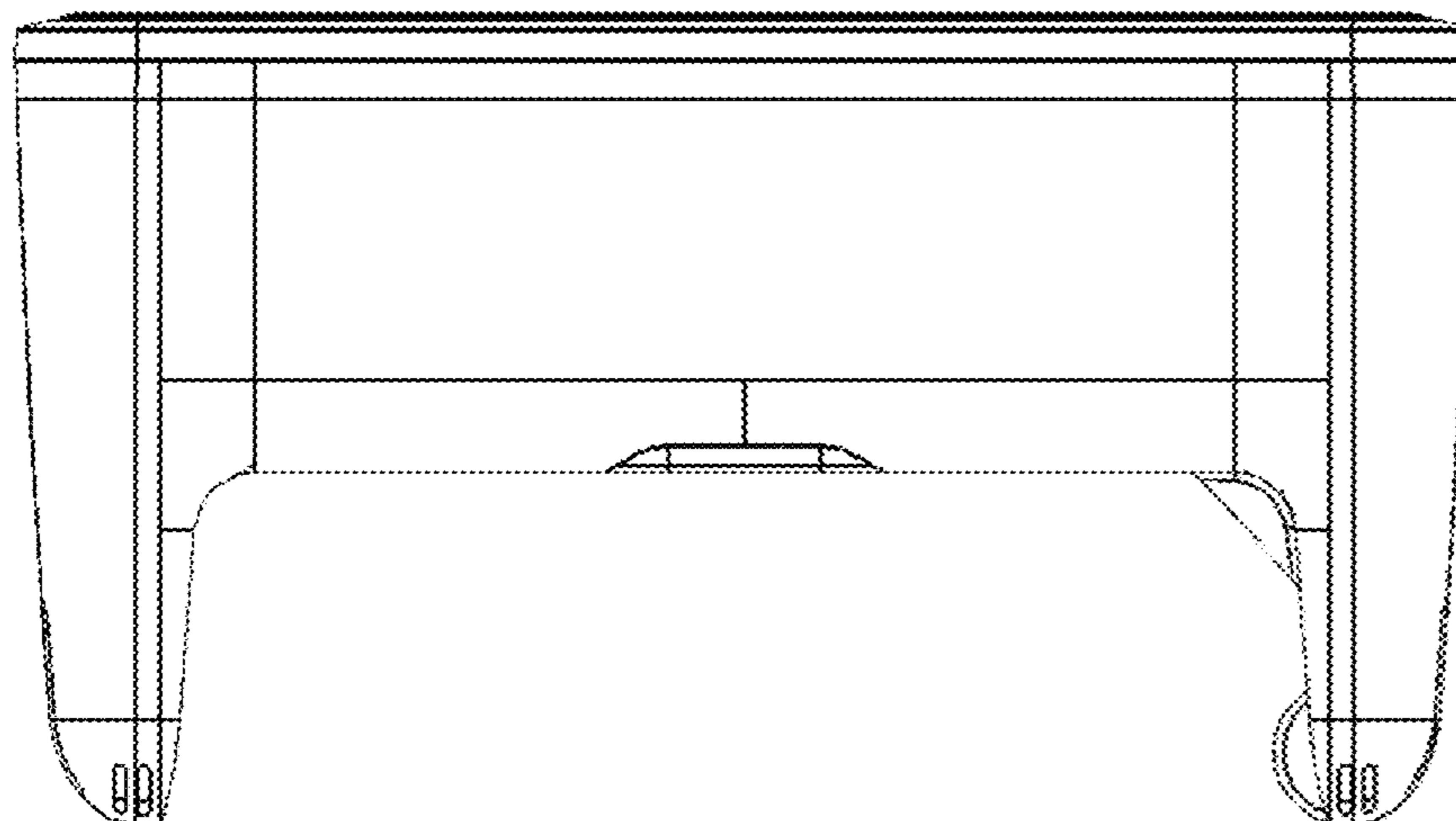
(57) **CLAIM**

The ornamental designs for a cooling device, as shown and described.

DESCRIPTION

FIG. 1 is a front view of an ornamental design for a cooling device in accordance with the present disclosure;
FIG. 2 is a rear view thereof;
FIG. 3 is a left-side view thereof;
FIG. 4 is a right-side view thereof;
FIG. 5 is a top view thereof;
FIG. 6 is bottom view thereof;
FIG. 7 is a front right upper isometric view thereof;
FIG. 8 is a front left upper isometric view thereof;
FIG. 9 is a rear right upper isometric view thereof;
FIG. 10 is a rear left upper isometric view thereof;
FIG. 11 is a front right lower isometric view thereof; and
FIG. 12 is a front left lower isometric view thereof;
FIG. 13 is a front view of a third ornamental design for a cooling device in accordance with the present disclosure;
FIG. 14 is a rear view thereof;
FIG. 15 is a right-side view thereof;
FIG. 16 is a left-side view thereof;
FIG. 17 is a top view thereof;
FIG. 18 is bottom view thereof;
FIG. 19 is a front left upper isometric view thereof;
FIG. 20 is a rear right upper isometric view thereof;
FIG. 21 is a left front isometric view thereof;
FIG. 22 is a front right lower isometric view thereof;
FIG. 23 is a rear right lower isometric view thereof; and,
FIG. 24 is a rear left lower isometric view thereof.

1 Claim, 14 Drawing Sheets



(58) **Field of Classification Search**

CPC 83/04; A47B 83/045; A47B 85/00; A47B
85/04; F25D 23/028; F25D 23/02; F25D
2400/36; F25D 27/00; F25D 11/02; F25D
2201/14; F25D 2323/021; F25D
2323/023; F25D 23/025; F25D 23/065;
F25D 2400/18; F25D 25/02; F25D
25/025; F25D 27/005; F25D 23/04; F25D
23/066; F25D 11/00; F25D 21/006; F25D
21/10; F25D 2331/803; F25D 2331/809;
F25D 23/00; F25D 23/021; F25D 23/062;
F25D 23/08; F25D 23/087; F25D 23/12;
F25D 2500/02; F25D 25/021; F25D
25/022; F25D 25/028; F25D 29/008;
F25D 31/00

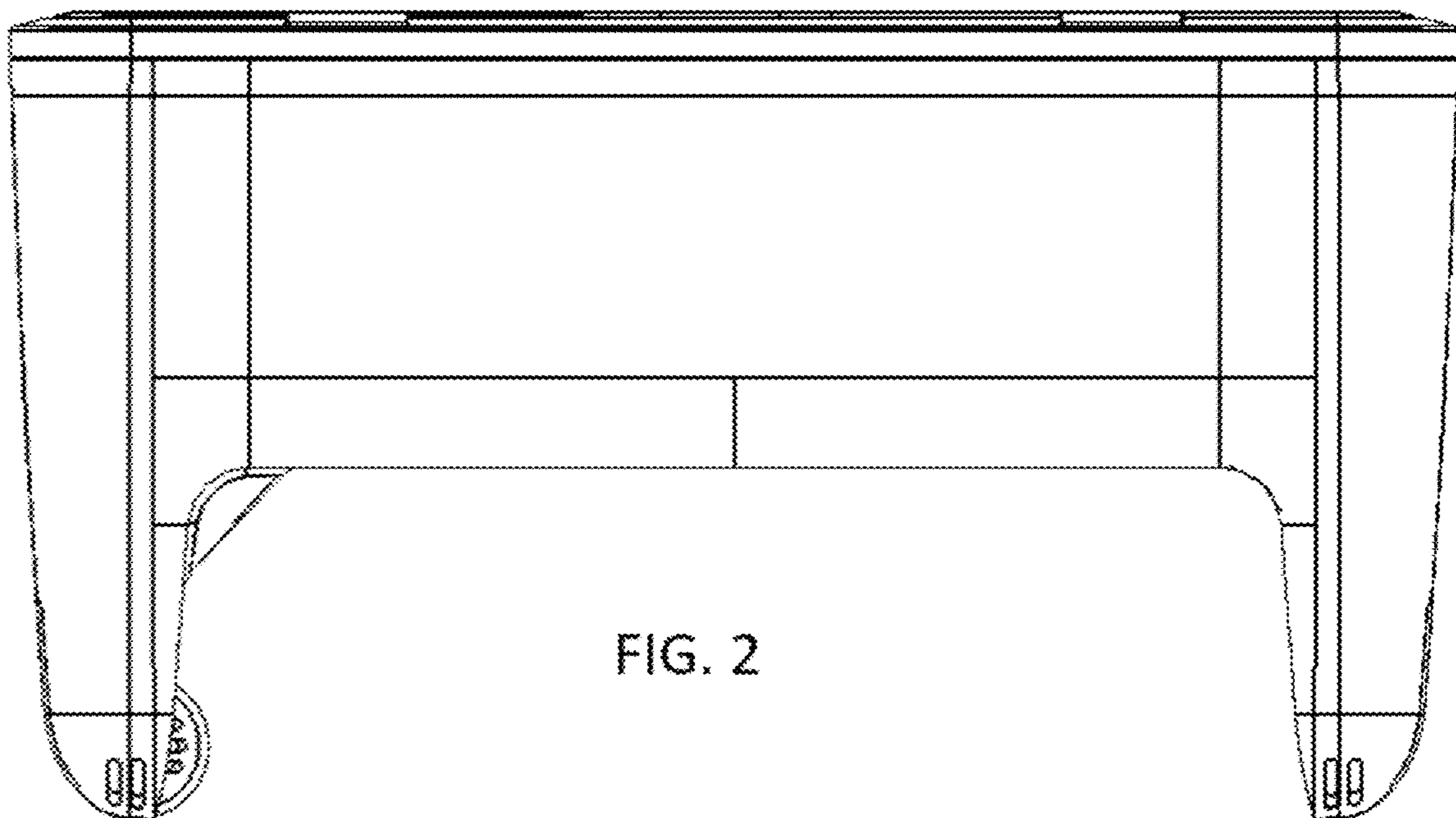
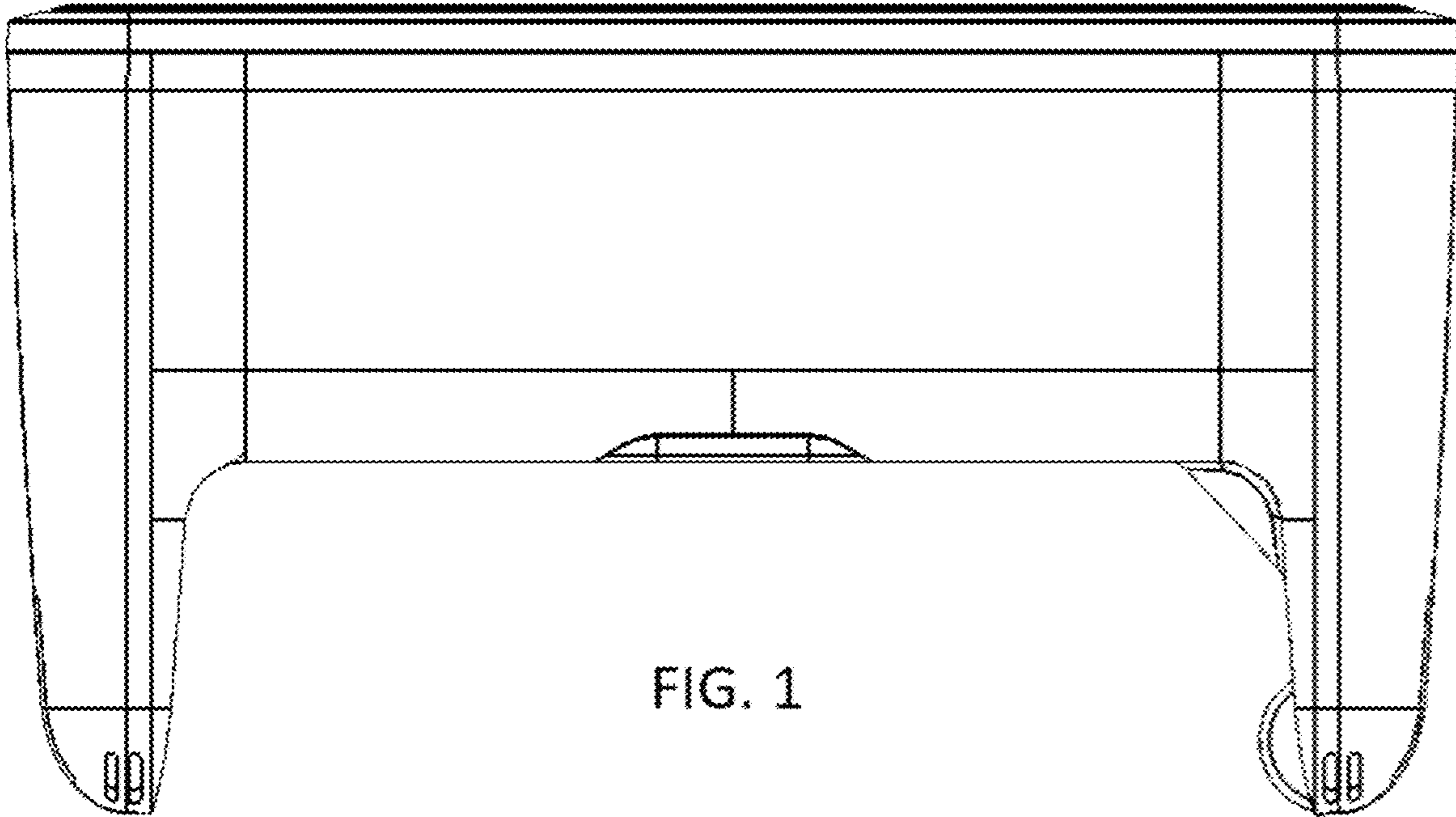
See application file for complete search history.

(56) **References Cited**

U.S. PATENT DOCUMENTS

D702,267 S *	4/2014	Iovanel	D15/86
D712,439 S *	9/2014	Iovanel	D15/86
D788,186 S *	5/2017	Lee	D15/79

* cited by examiner



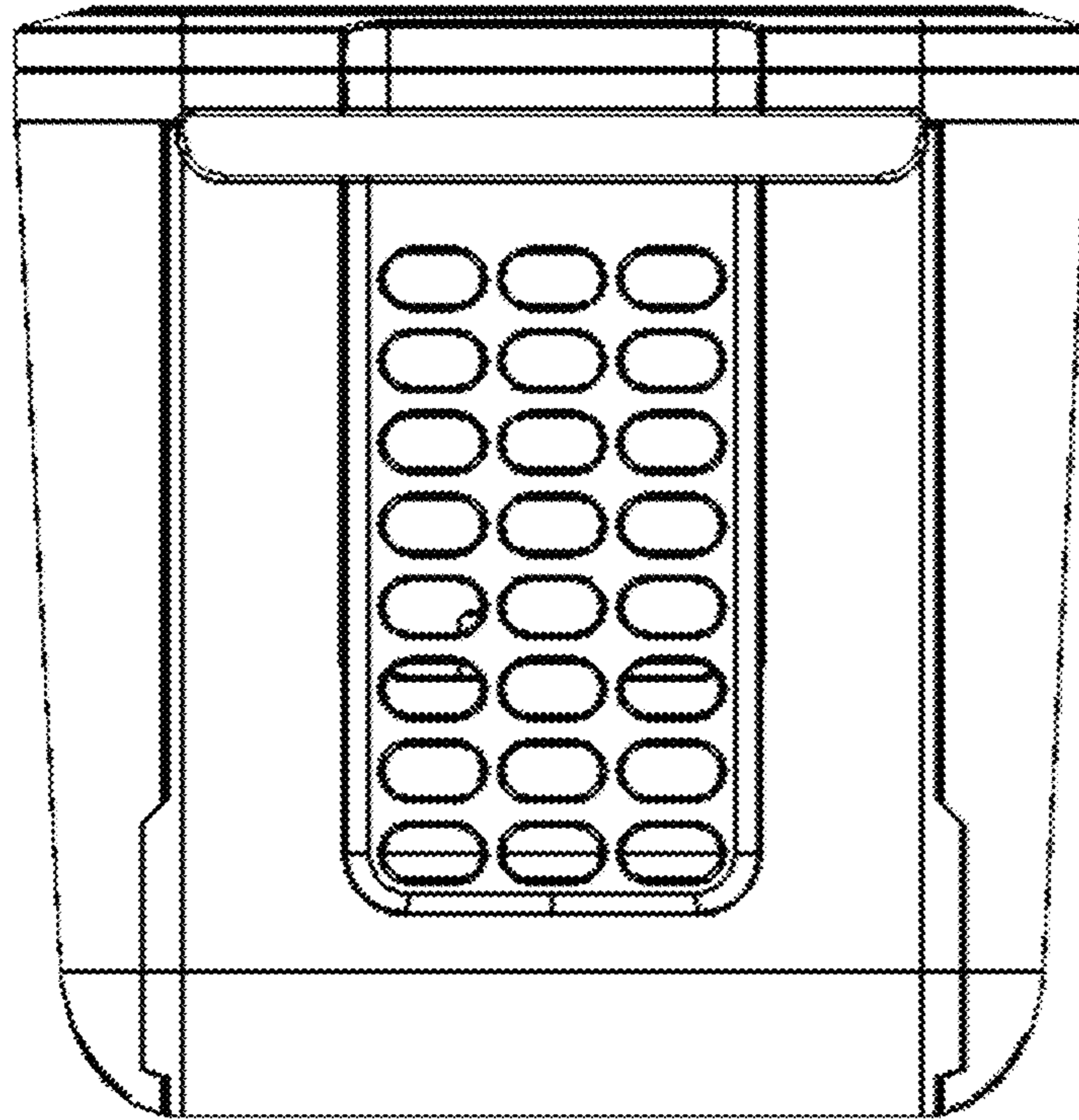


FIG. 3

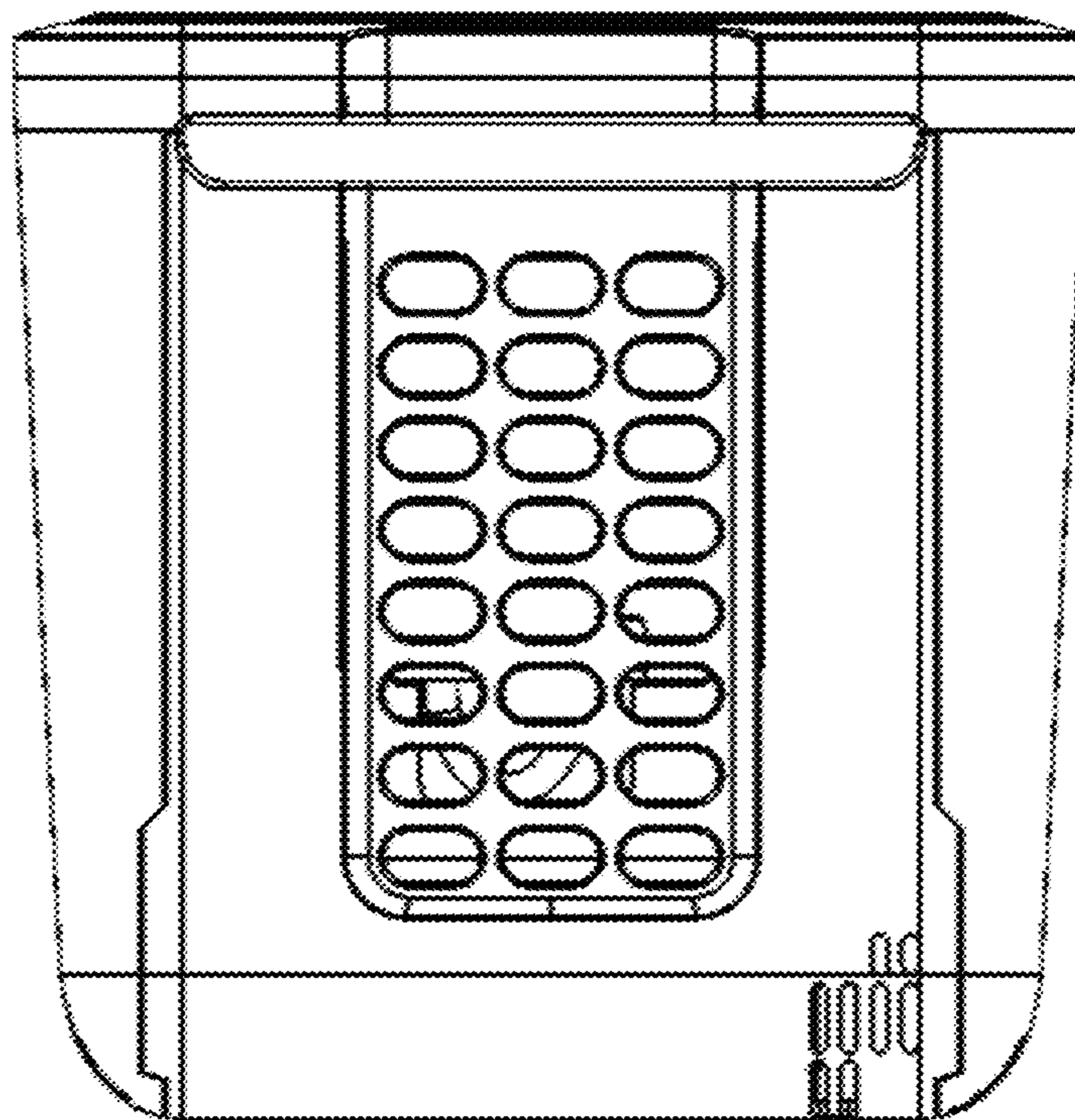


FIG. 4

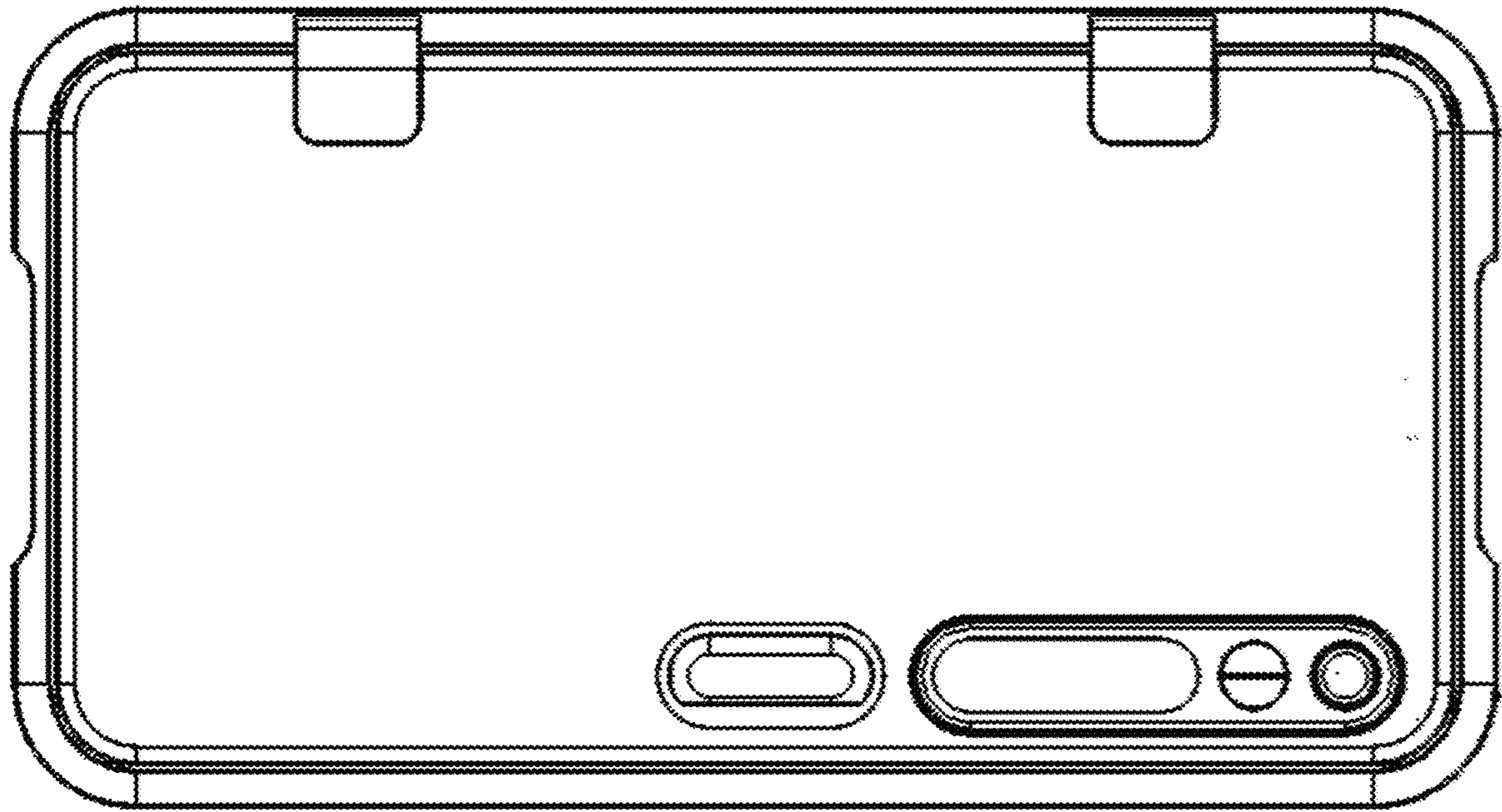


FIG. 5

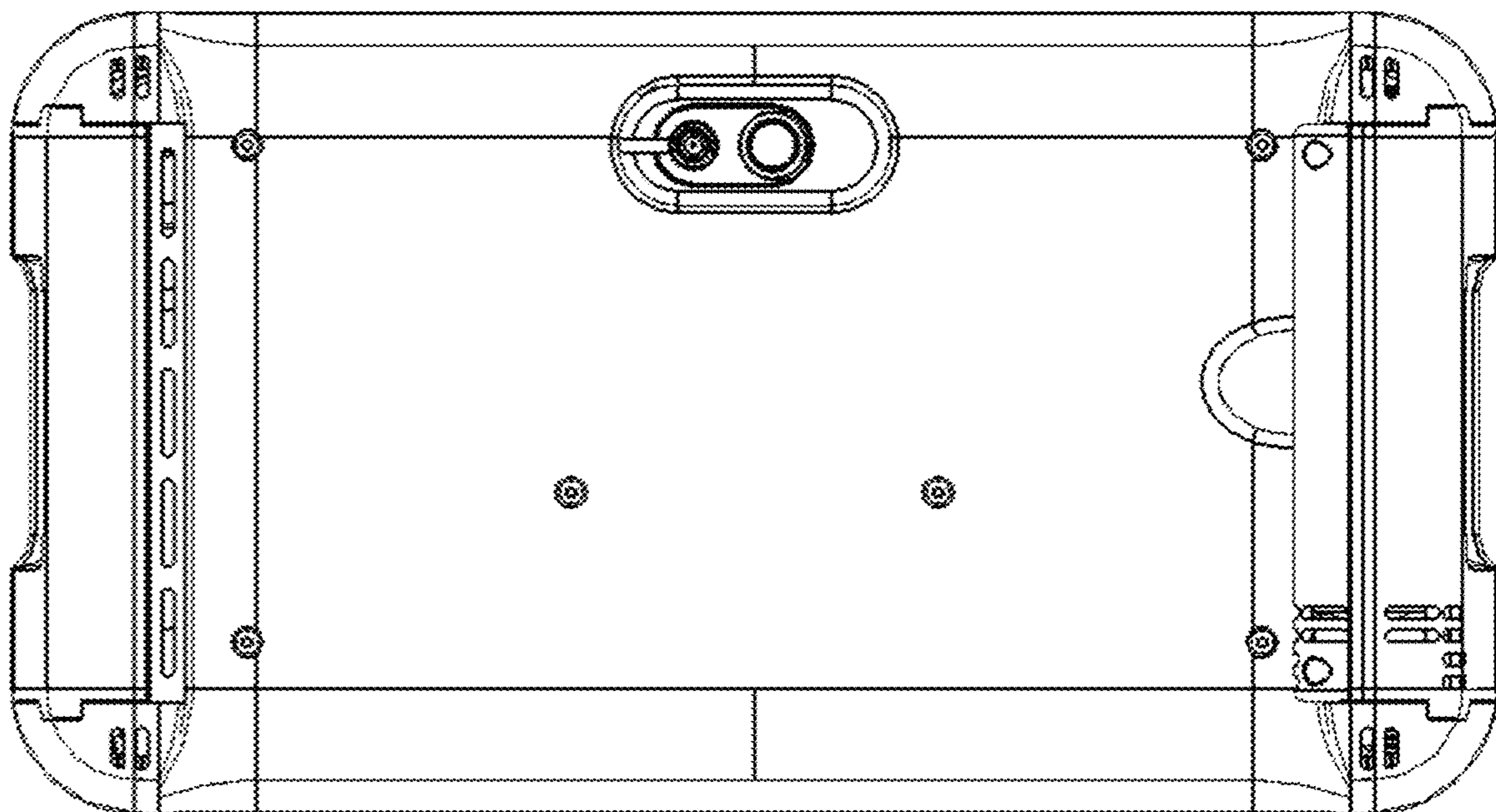


FIG. 6

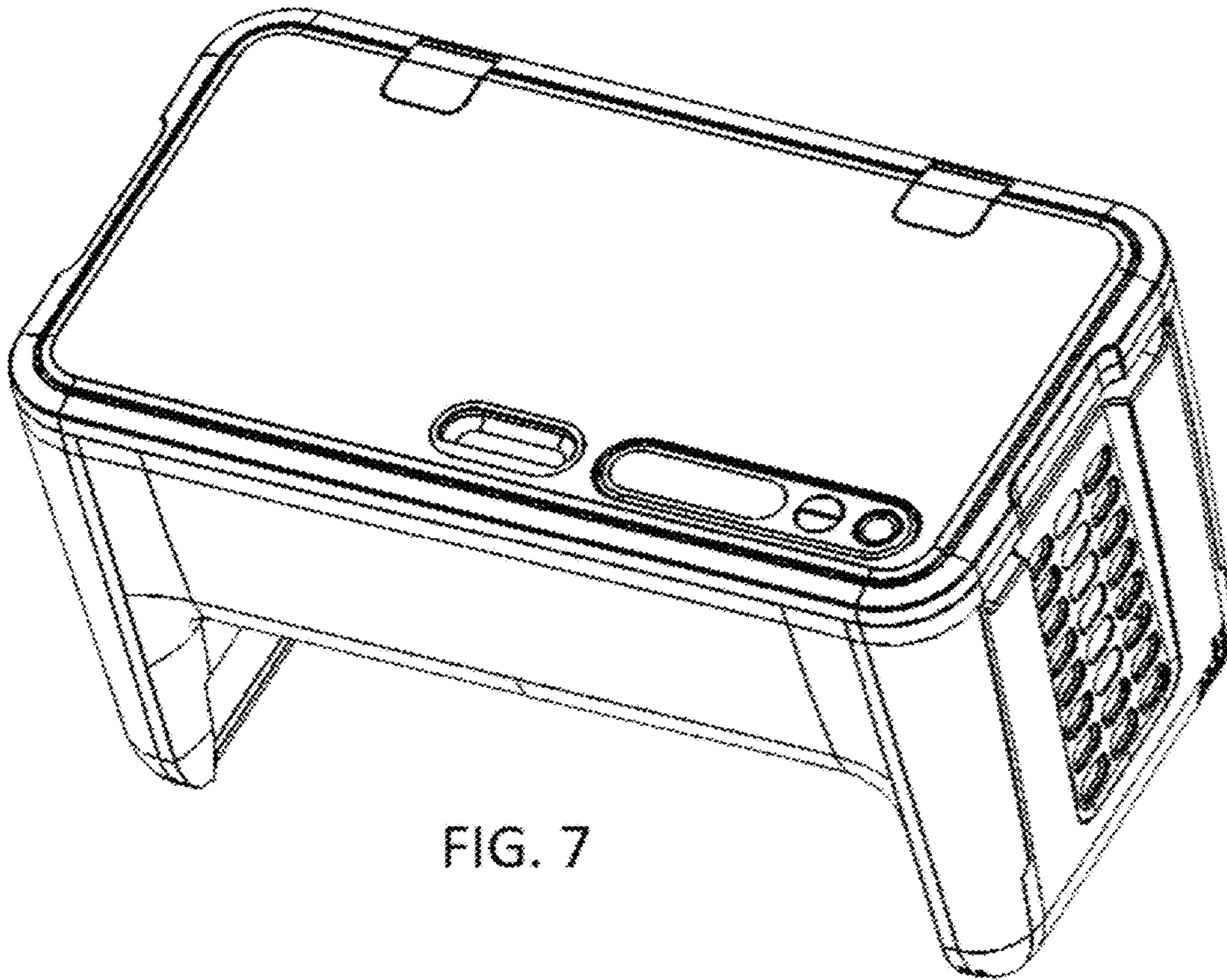


FIG. 7

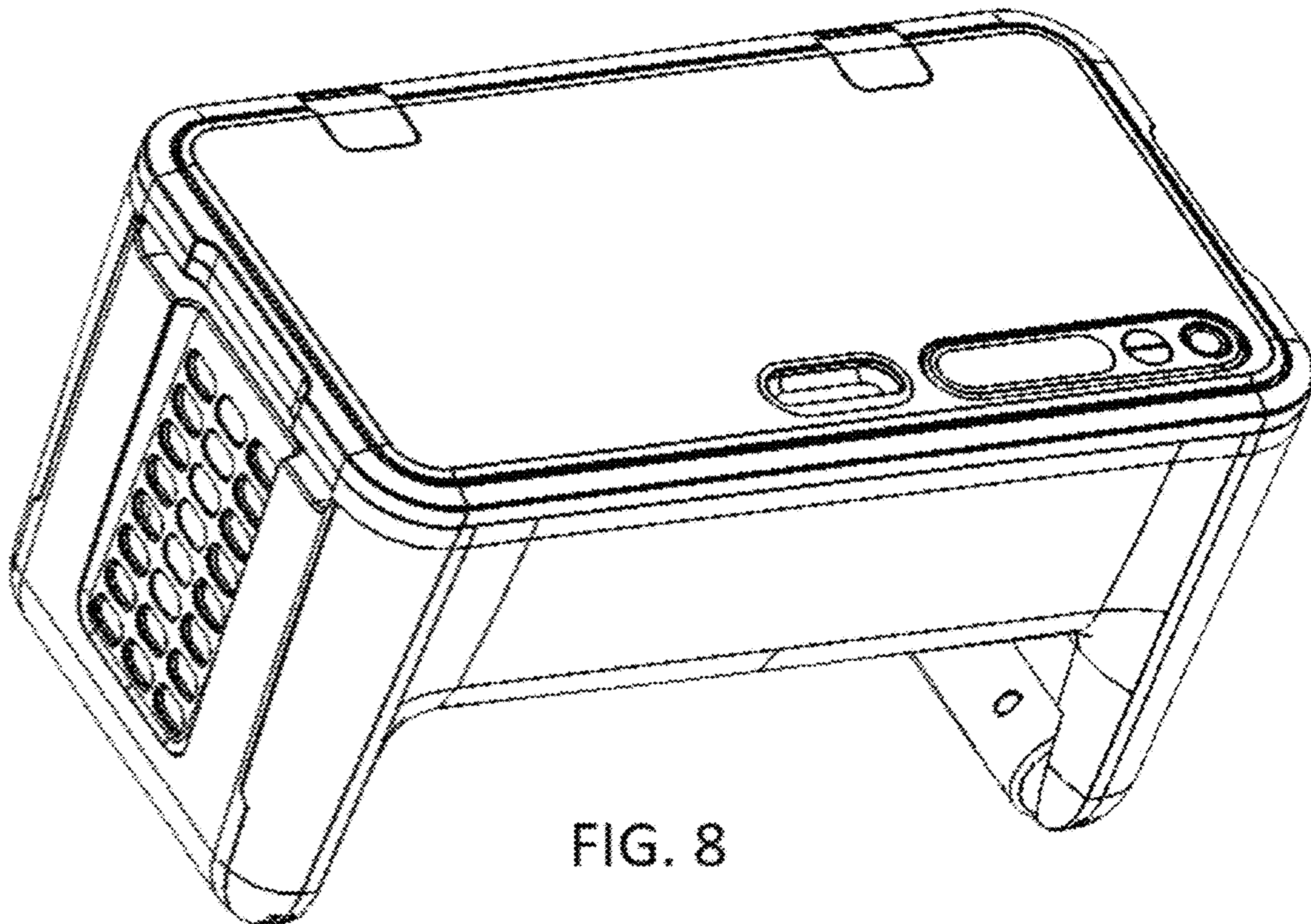


FIG. 8

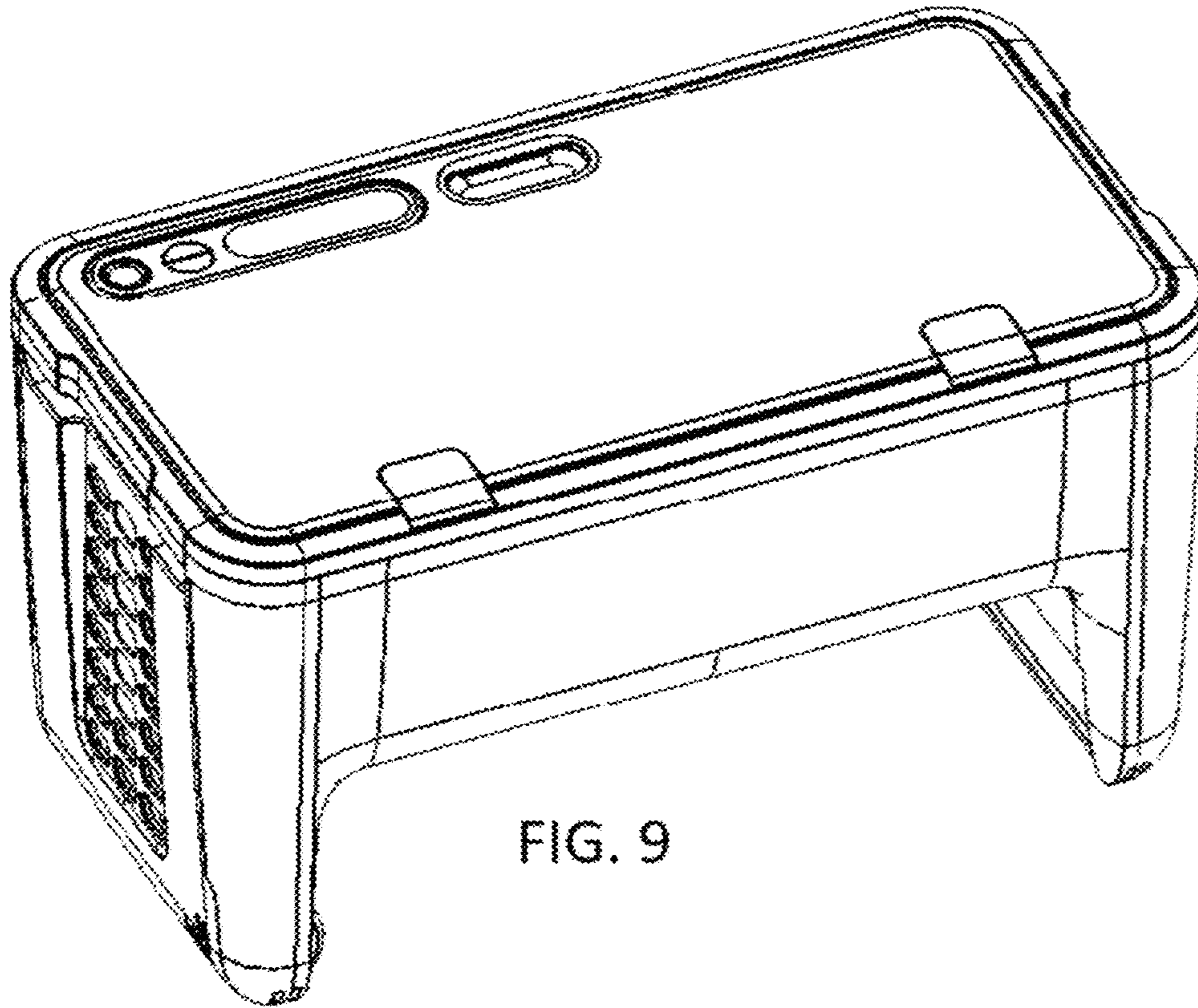


FIG. 9

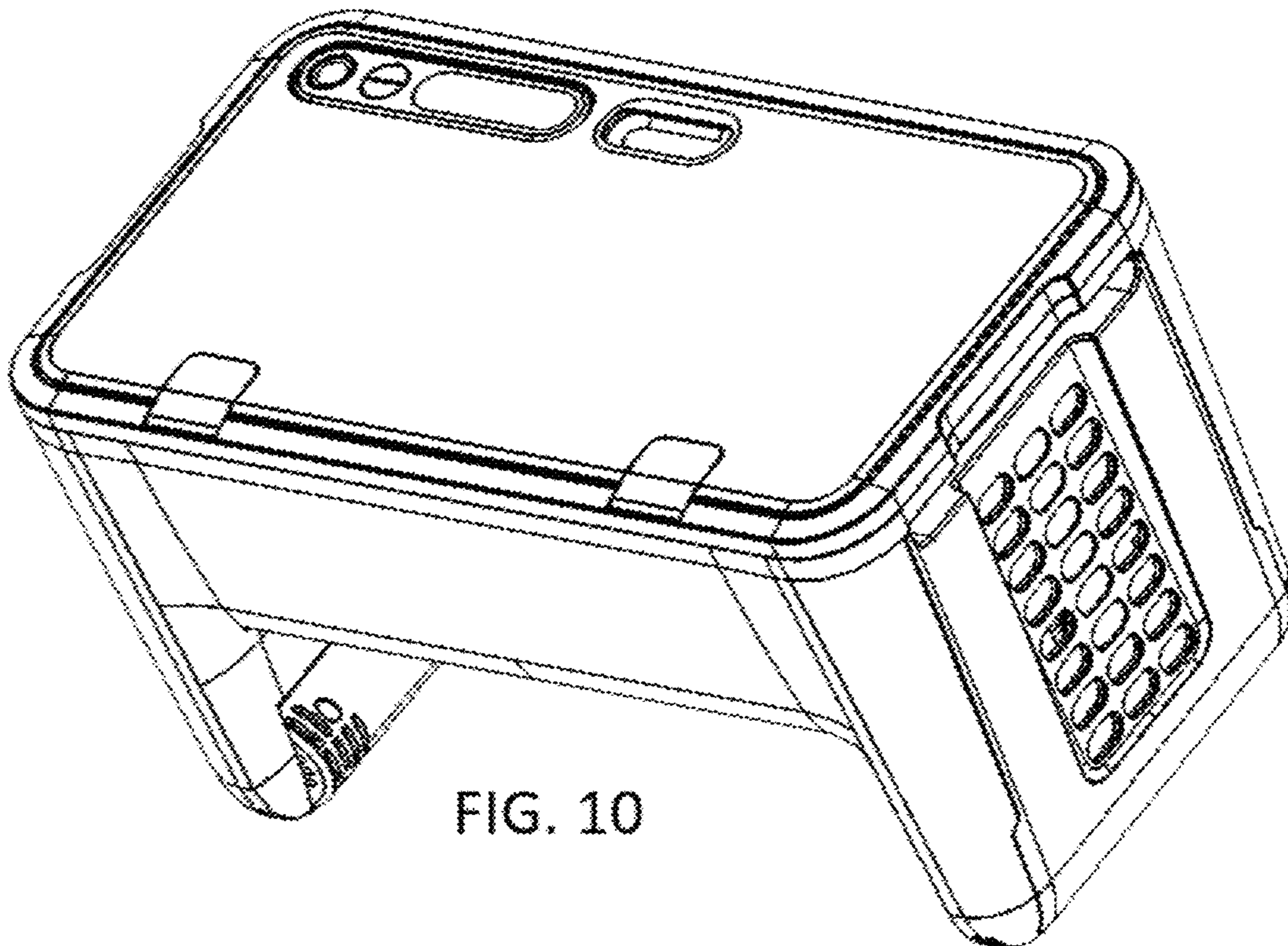


FIG. 10

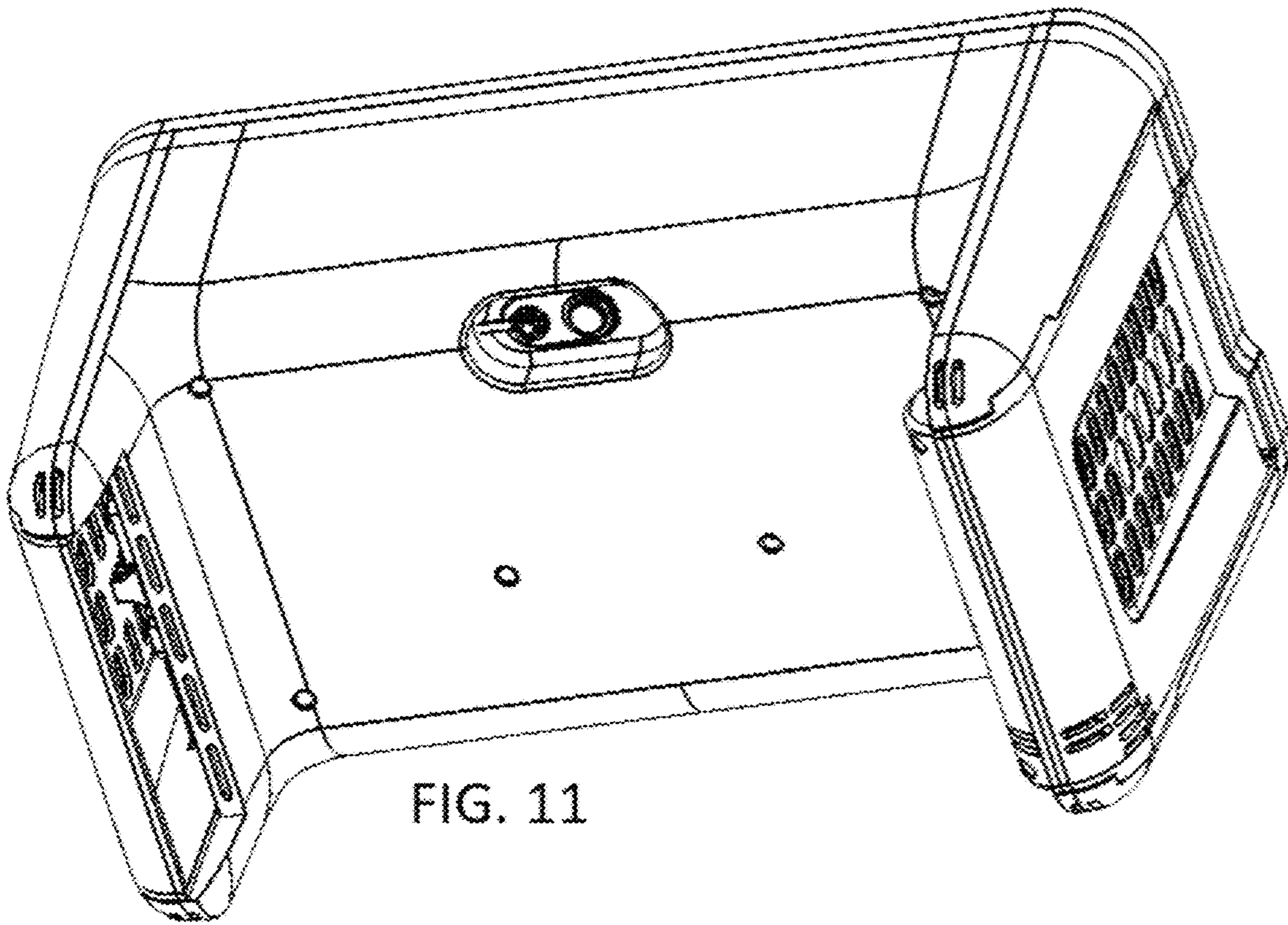


FIG. 11

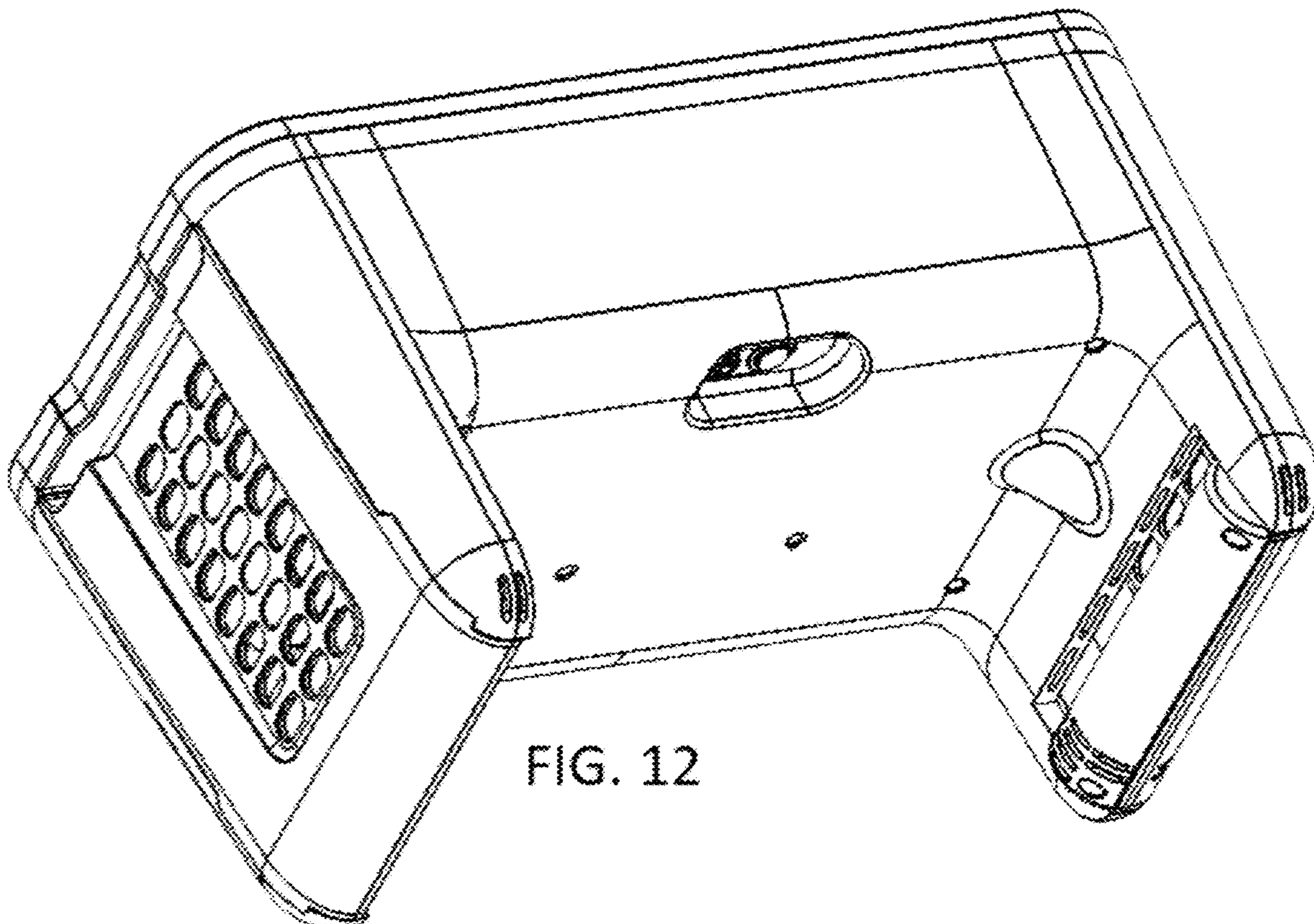


FIG. 12

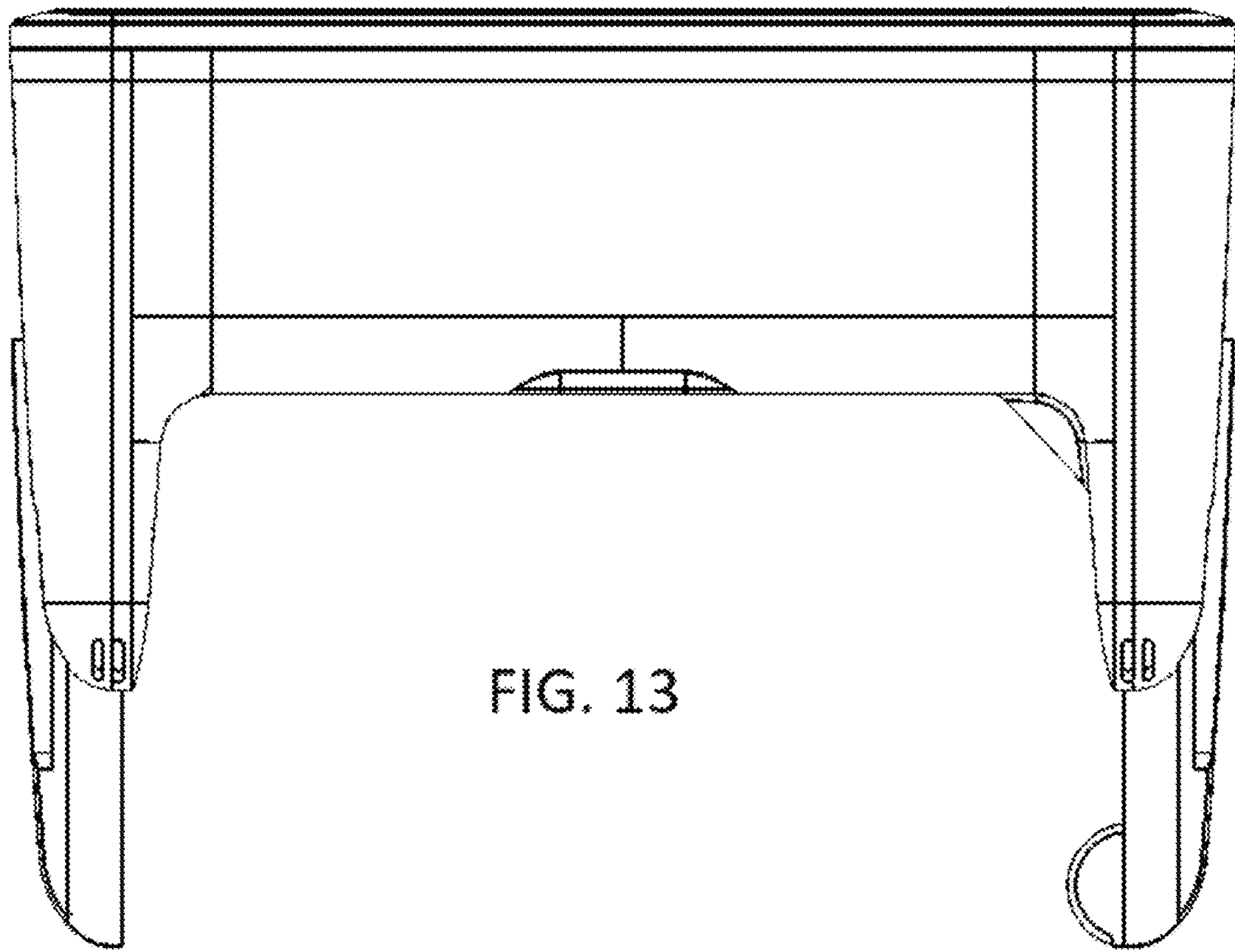


FIG. 13

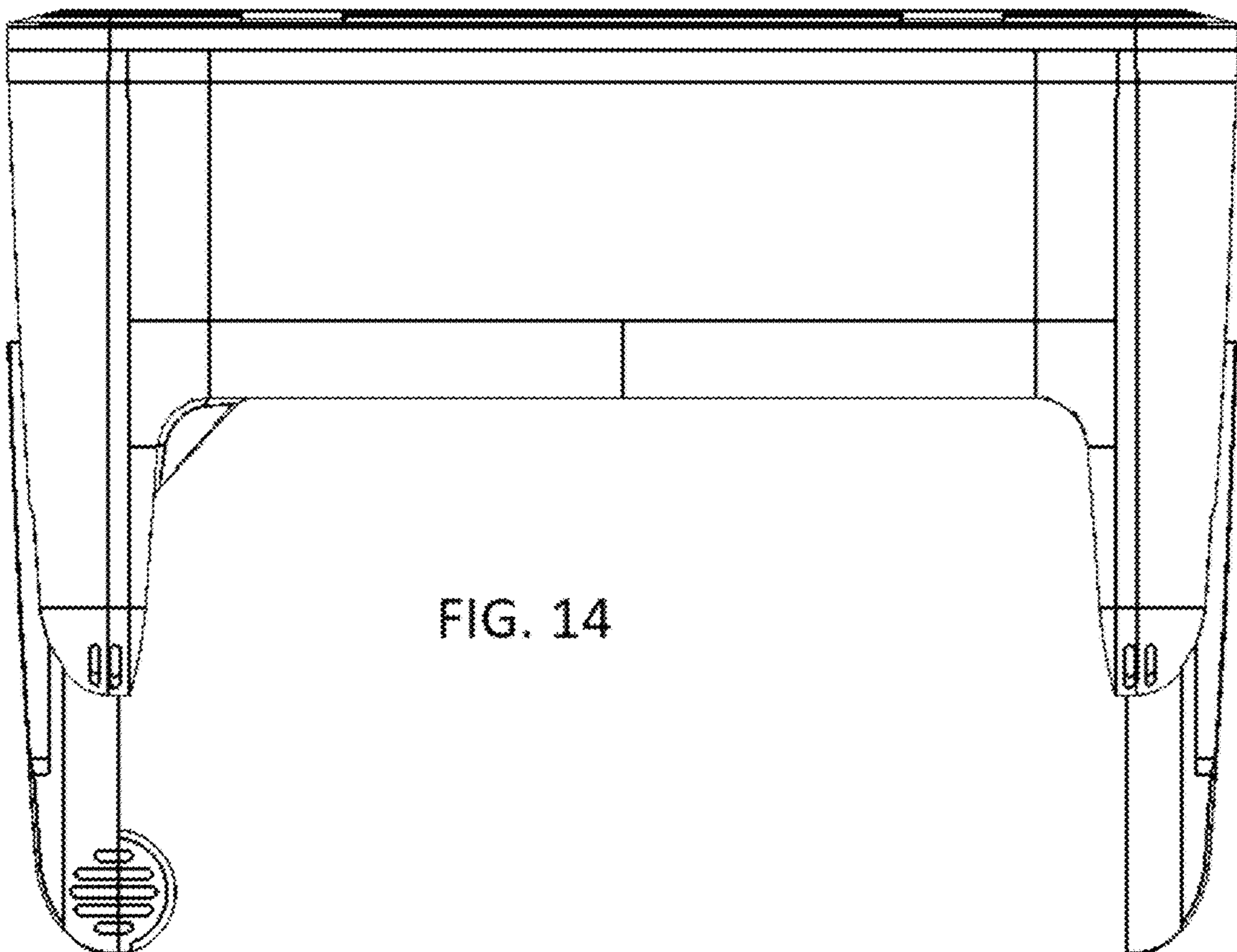


FIG. 14

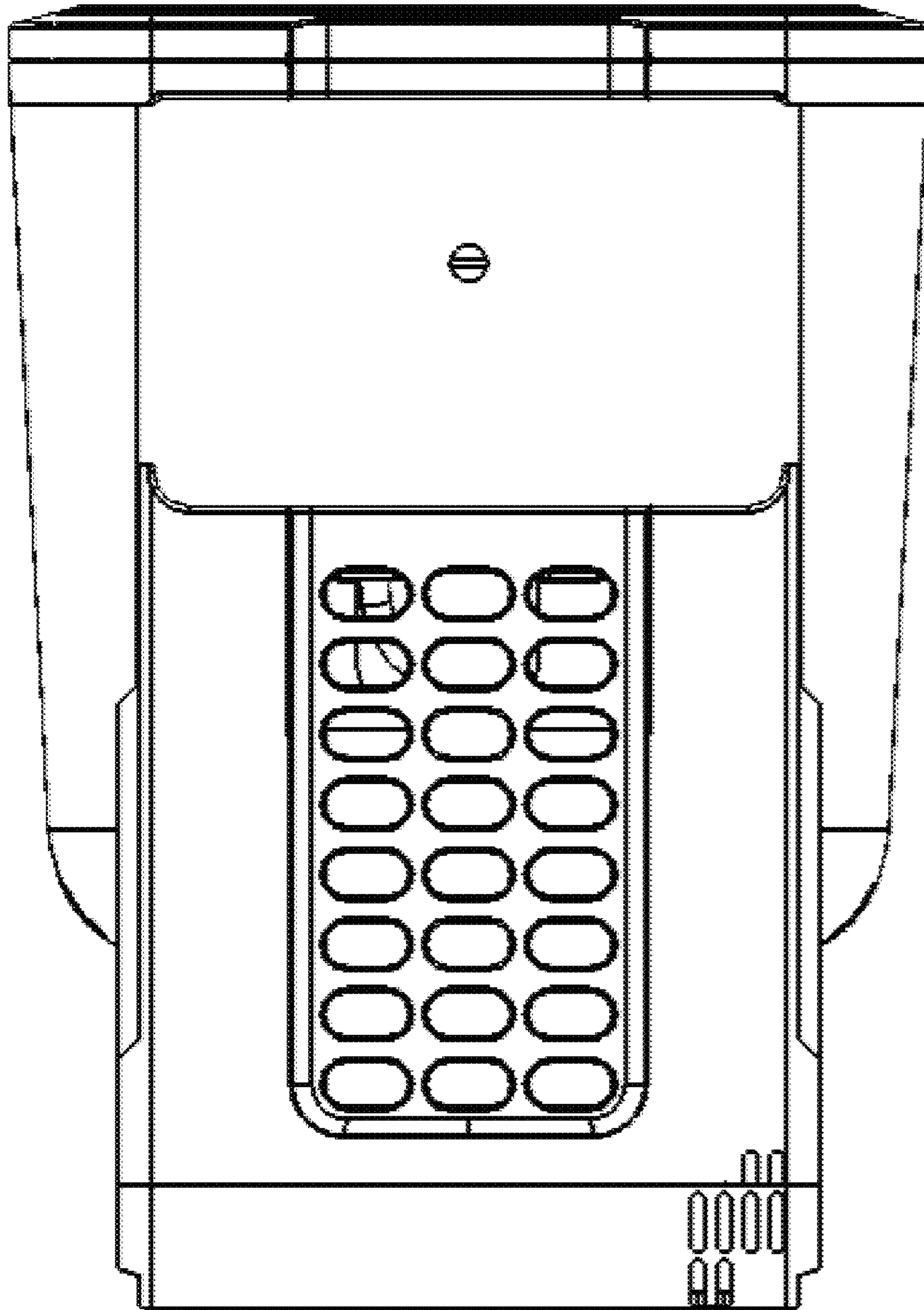


FIG. 15

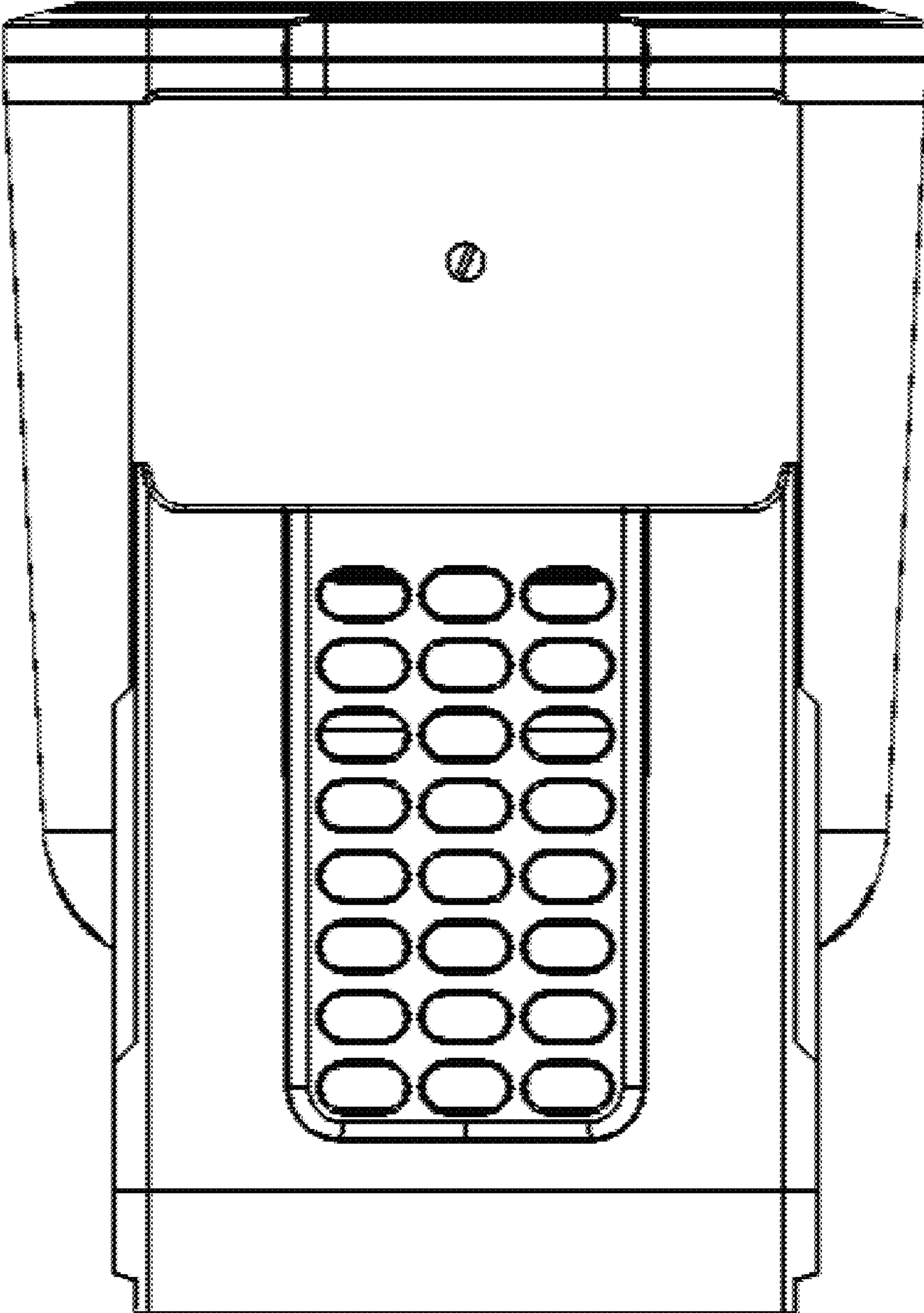


FIG. 16

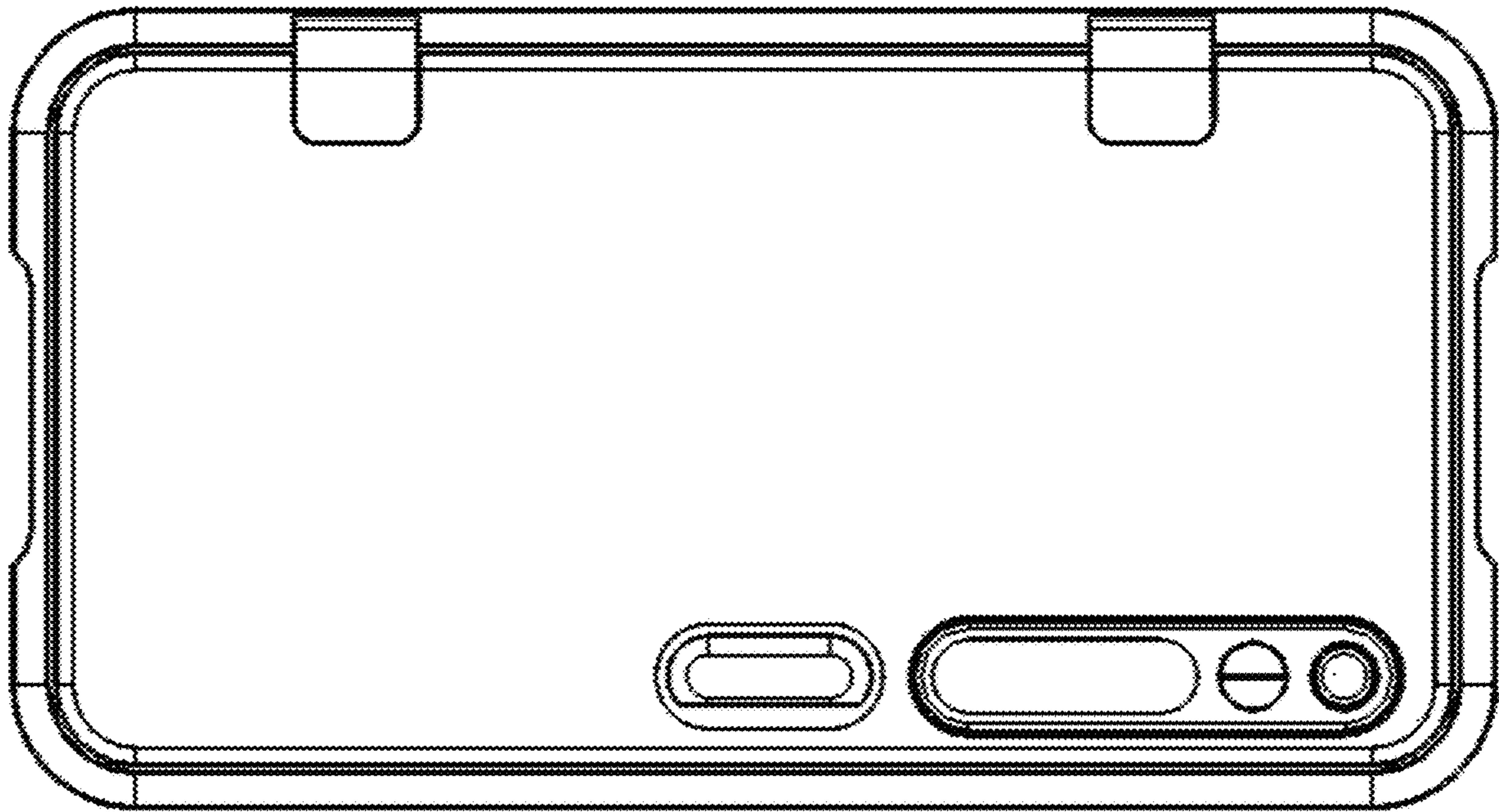


FIG. 17

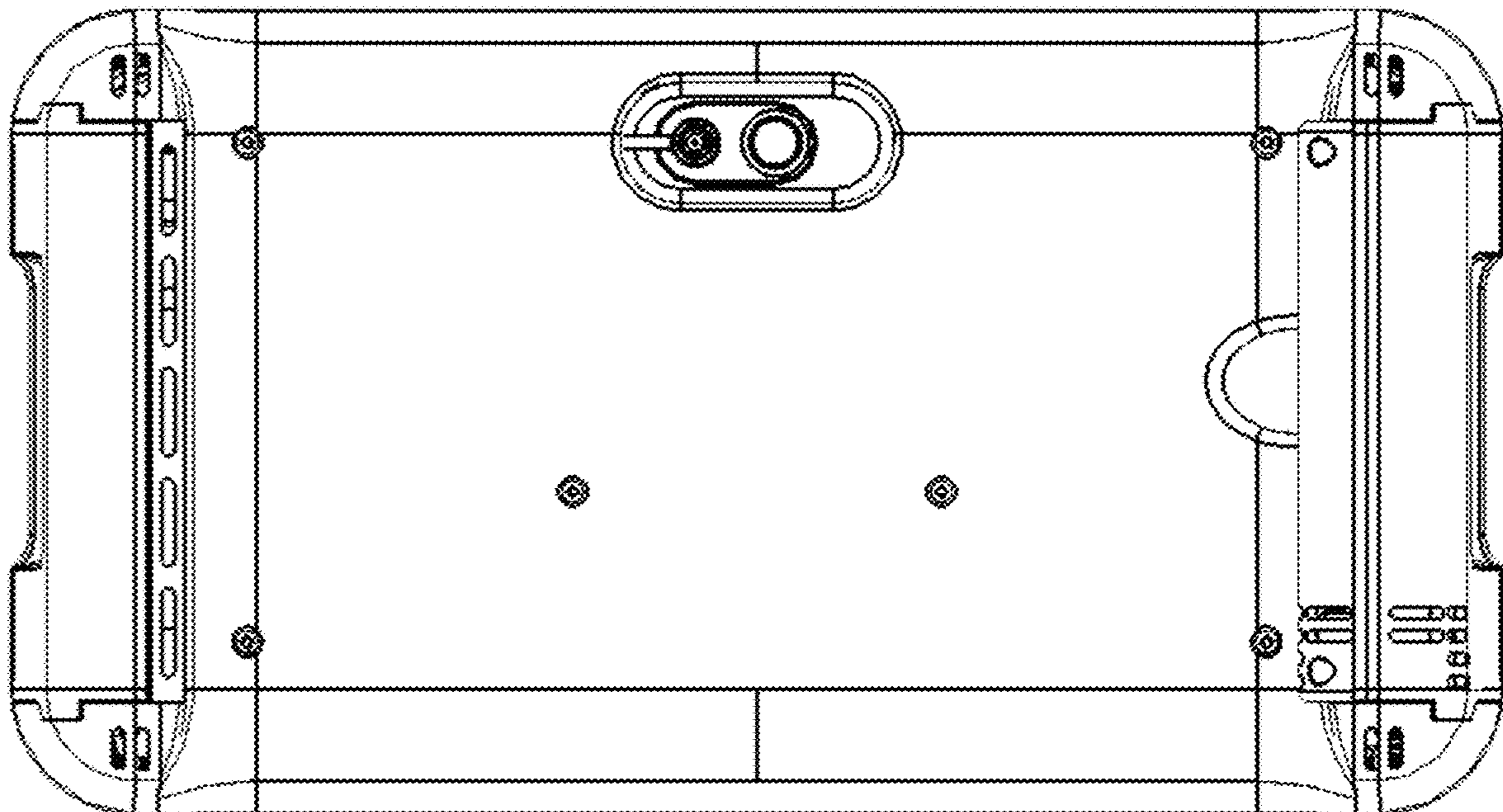


FIG. 18

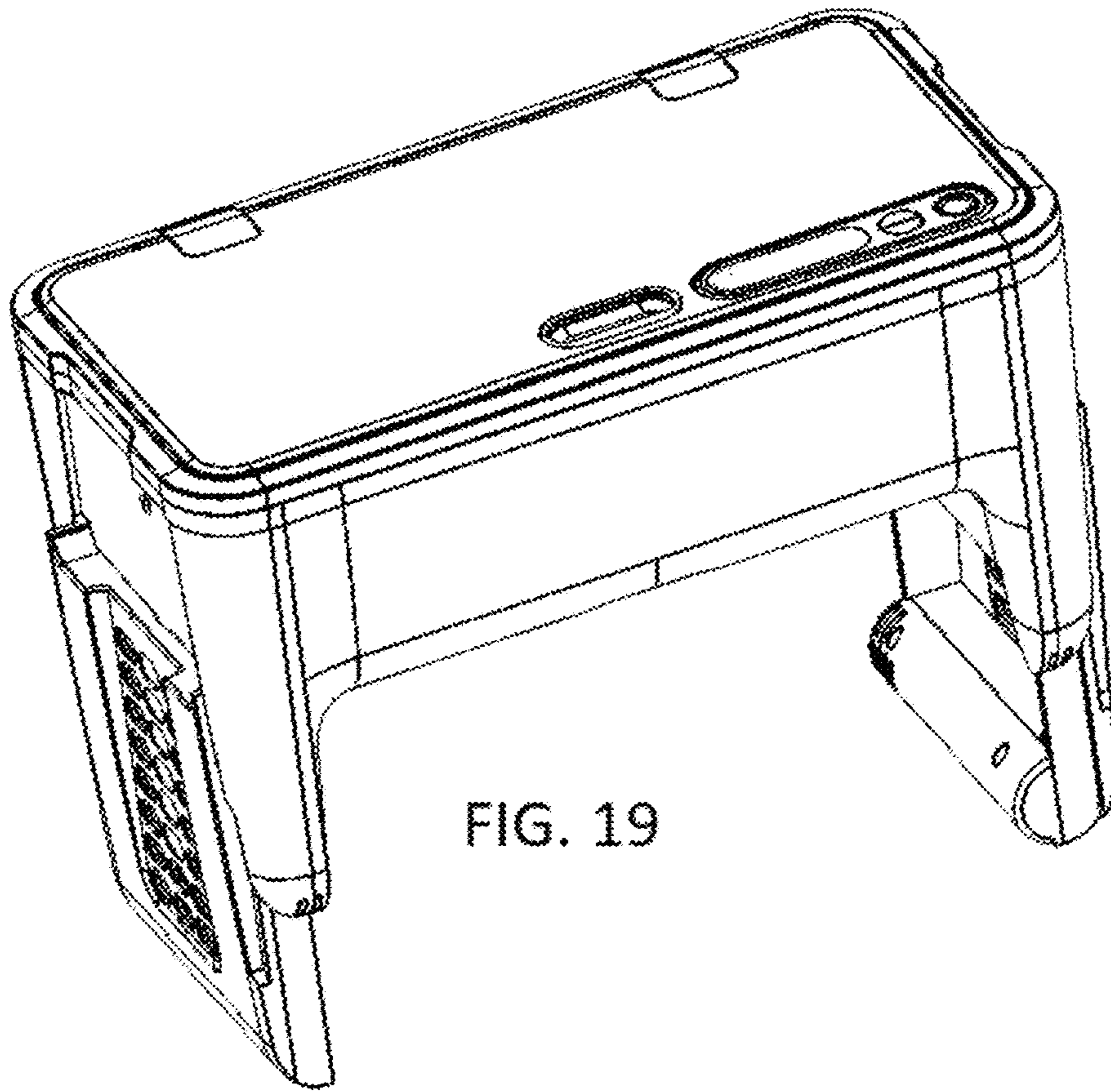


FIG. 19

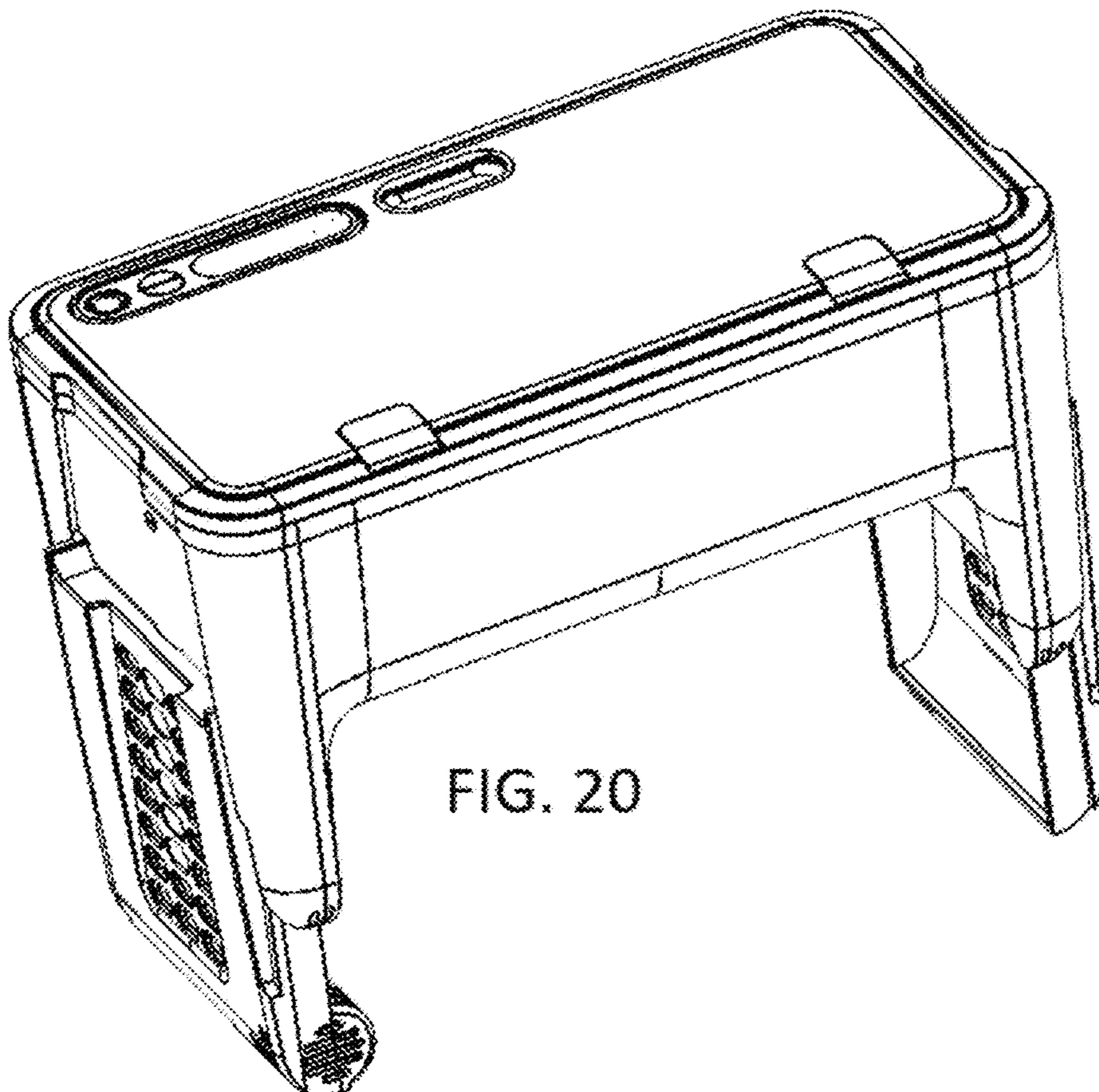


FIG. 20

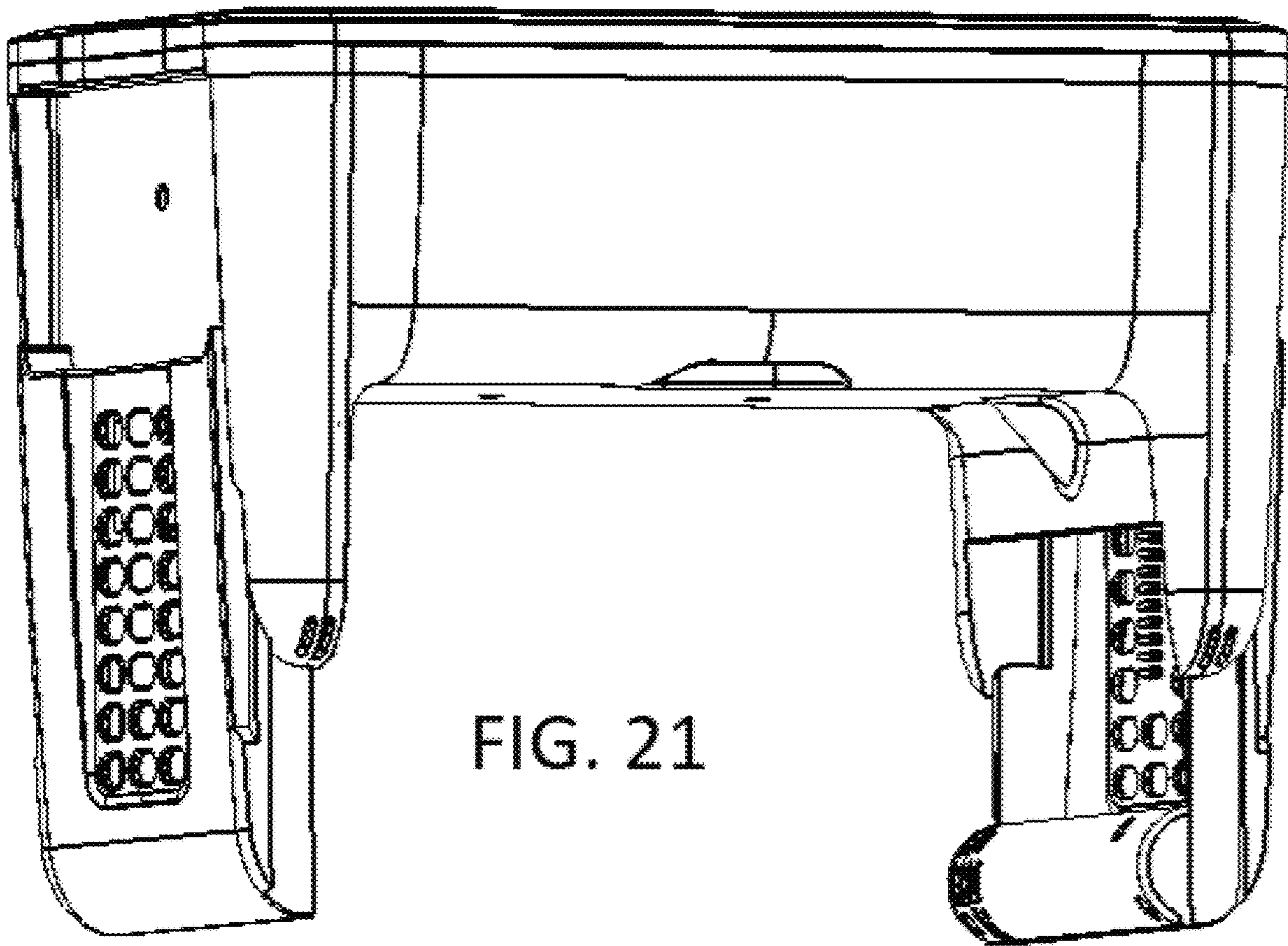


FIG. 21

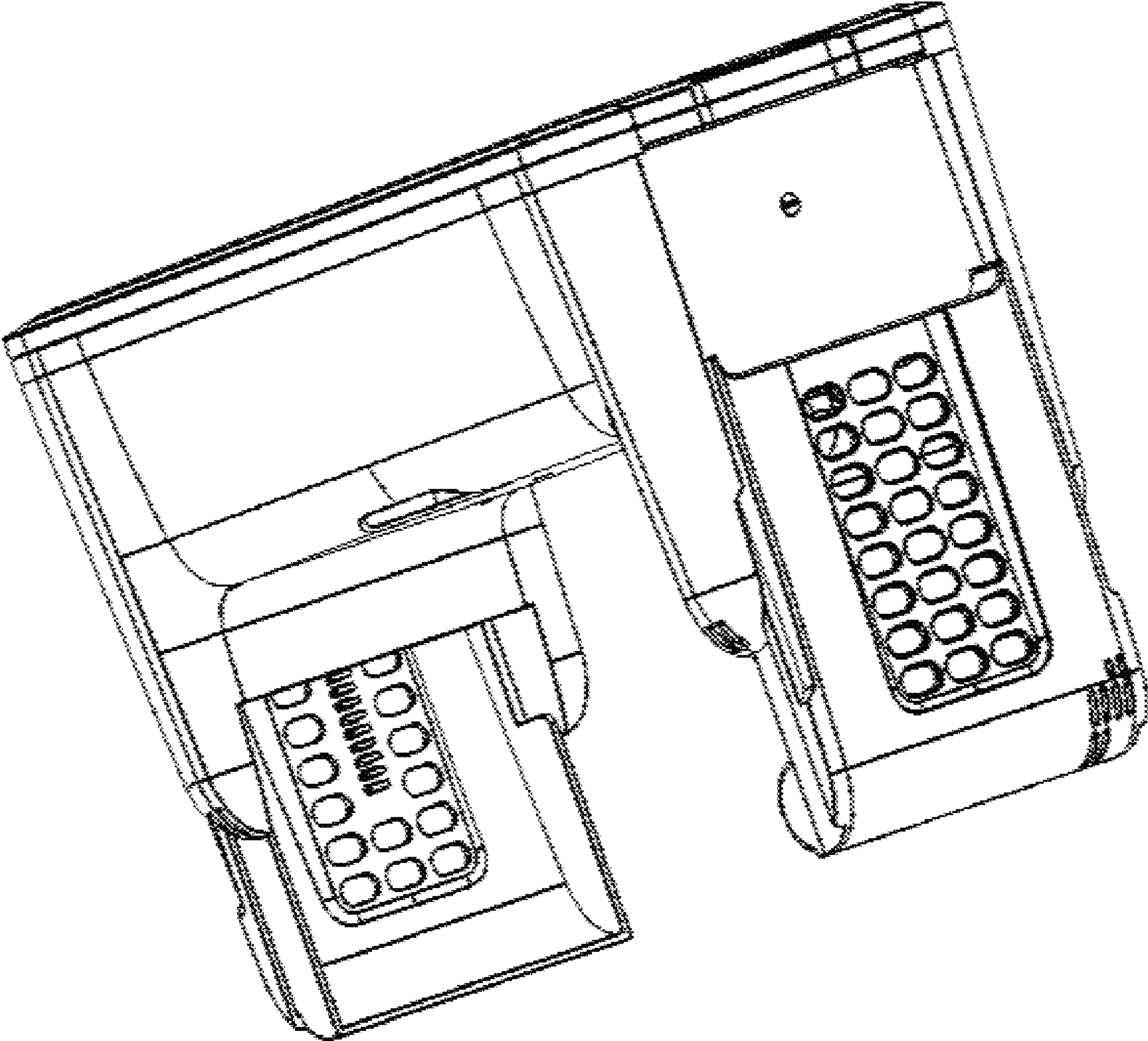


FIG. 22

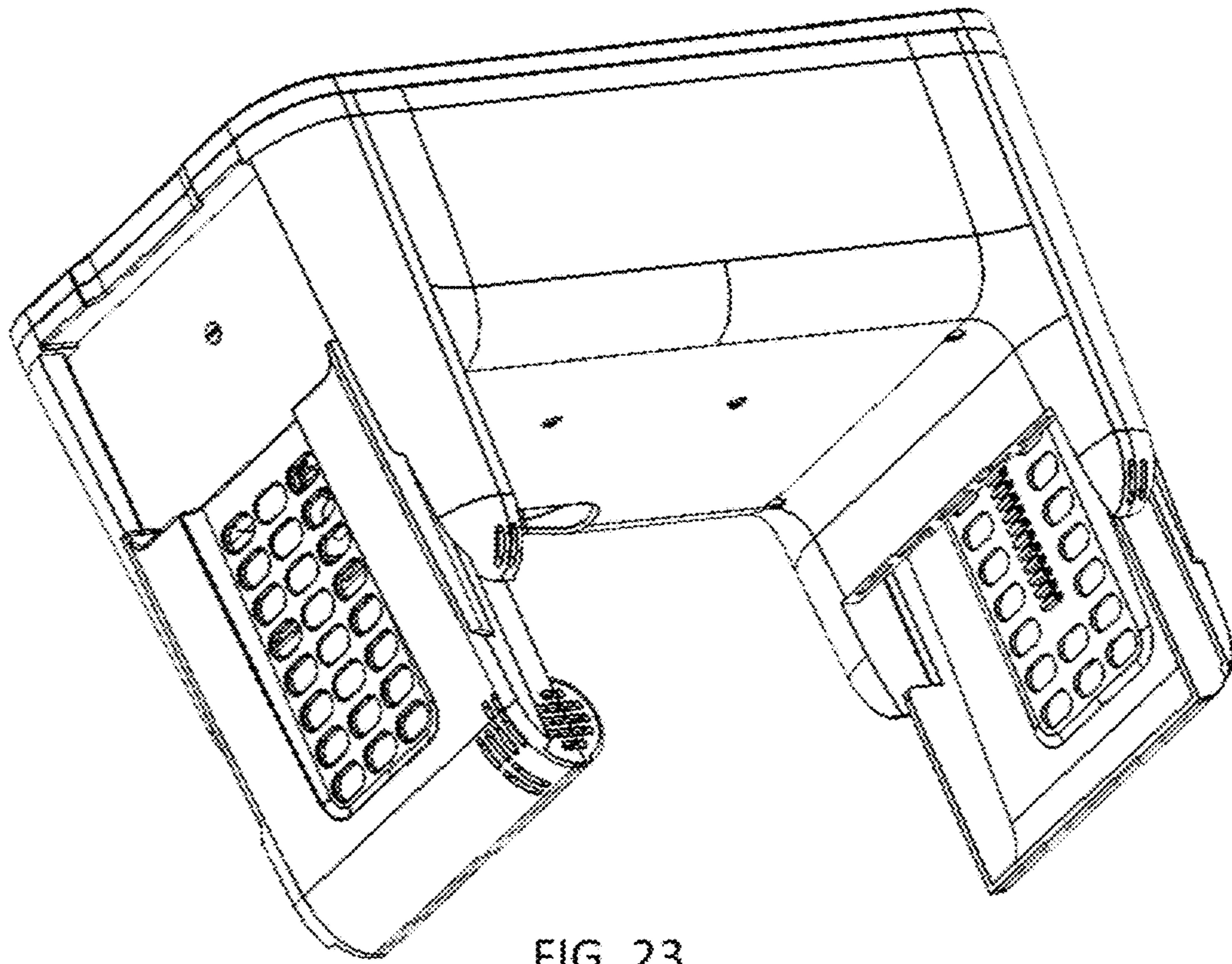


FIG. 23

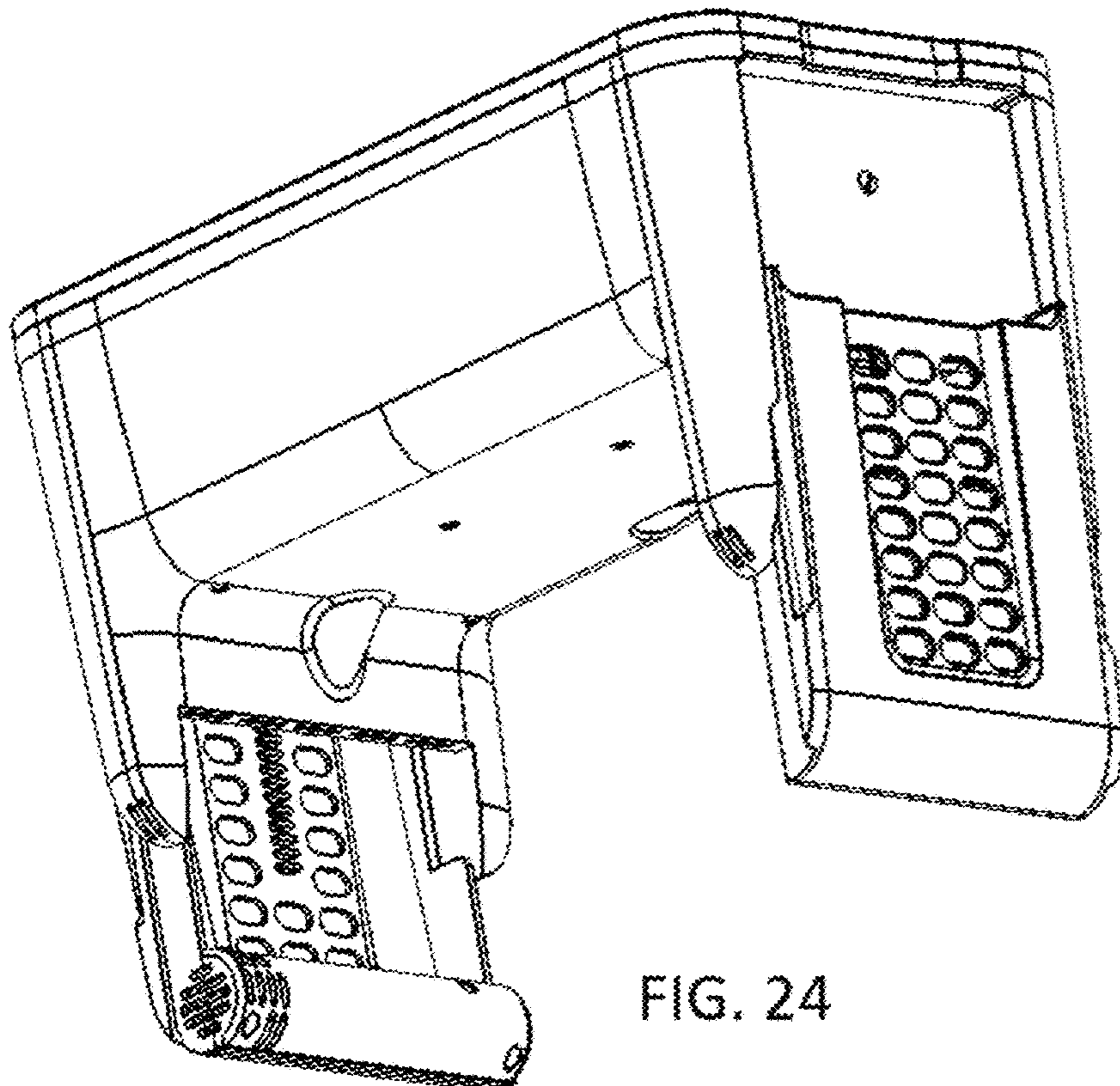


FIG. 24