

US00D949932S

(12) **United States Design Patent**
Izaki

(10) **Patent No.:** **US D949,932 S**
(45) **Date of Patent:** **** Apr. 26, 2022**

(54) **SEWING MACHINE**

(71) Applicant: **JANOME SEWING MACHINE Co., Ltd.**, Hachioji (JP)

(72) Inventor: **Akihiro Izaki**, Hachioji (JP)

(73) Assignee: **JANOME CORPORATION**, Hachioji (JP)

(**) Term: **15 Years**

(21) Appl. No.: **29/699,175**

(22) Filed: **Jul. 23, 2019**

(30) **Foreign Application Priority Data**

Apr. 19, 2019 (JP) 2019-008745

(51) **LOC (13) Cl.** **15-06**

(52) **U.S. Cl.**
USPC **D15/69**

(58) **Field of Classification Search**
USPC D3/18, 20, 28; D15/66, 67, 68, 69, 70,
D15/71, 72, 73, 74, 75, 76, 77, 78
CPC D05B 85/00; D05B 85/02; D03D 27/10;
D03D 39/16

See application file for complete search history.

(56) **References Cited**

U.S. PATENT DOCUMENTS

D404,403 S *	1/1999	Uchida	D15/69
6,148,750 A *	11/2000	Funato	D05B 55/02
				112/226
D526,337 S *	8/2006	Kuroki	D15/70
D527,744 S *	9/2006	Tseng	D15/68
D529,520 S *	10/2006	Kuroki	D15/70
D590,849 S *	4/2009	Muller	D15/66
D628,606 S *	12/2010	Kanai	D15/70
D648,758 S *	11/2011	Muto	D15/69
8,051,787 B2 *	11/2011	Hidechika	D05B 69/30
				112/103

8,215,250 B2 *	7/2012	Fukao	D05B 73/12
				112/260
8,250,999 B2 *	8/2012	Mizuno	D05B 27/02
				112/260
8,261,679 B2 *	9/2012	Ihira	D05B 3/14
				112/445
8,485,114 B2 *	7/2013	Fukao	D05B 73/12
				112/260
D703,243 S *	4/2014	Hideki	D15/69
D837,838 S *	1/2019	Kawaguchi	D15/69
D879,159 S *	3/2020	Yamamoto	D15/69

(Continued)

OTHER PUBLICATIONS

“Quilt Canada—Continental M7 Professional” [online]. Janome HQ Janome Canada. [Published on Jun. 18, 2021]. Retrieved from the Internet: <<https://www.youtube.com/watch?v=wYITmoqXhEU>>.*

(Continued)

Primary Examiner — Mojtaba Tehrani

(74) *Attorney, Agent, or Firm* — McGinn IP Law Group, PLLC

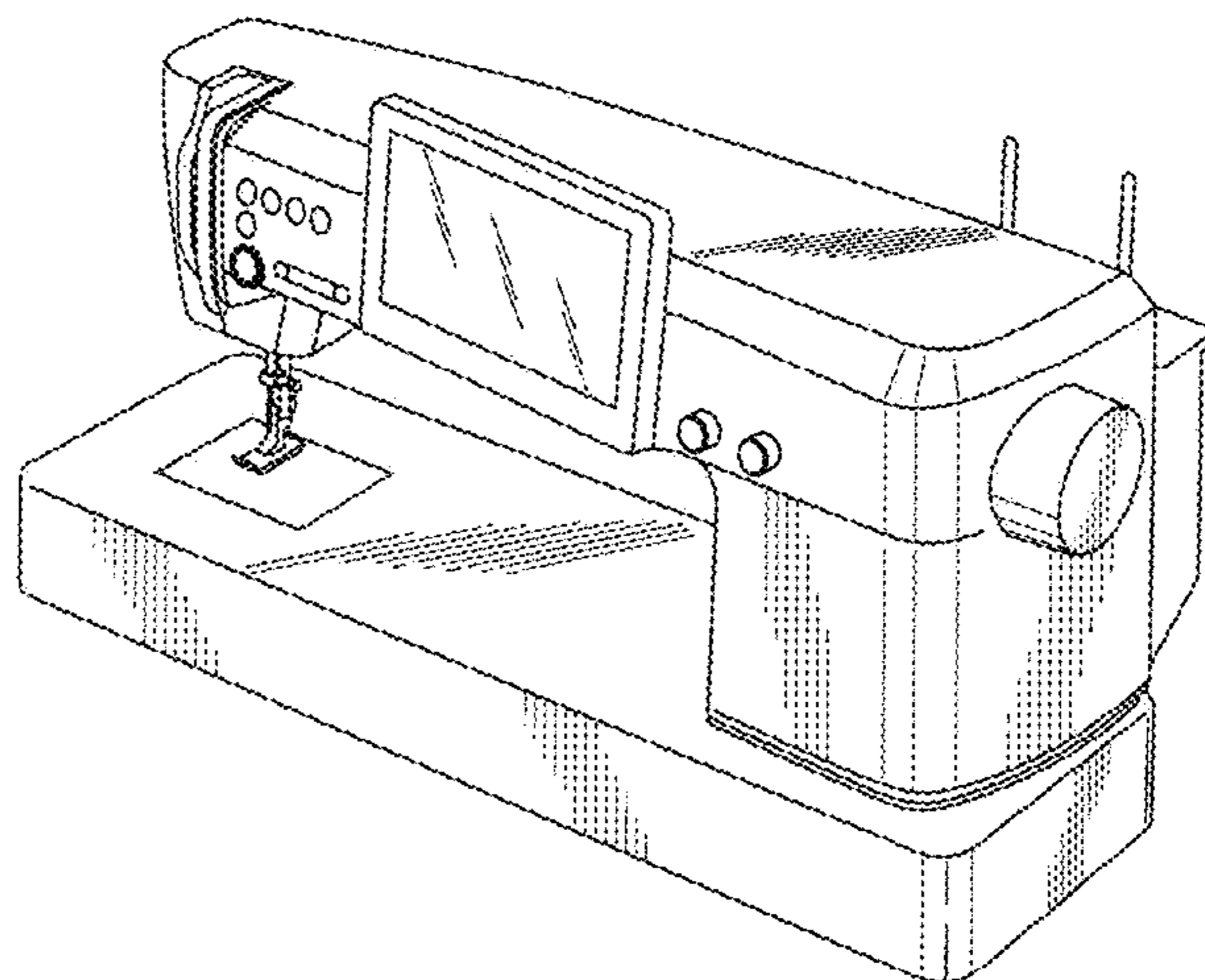
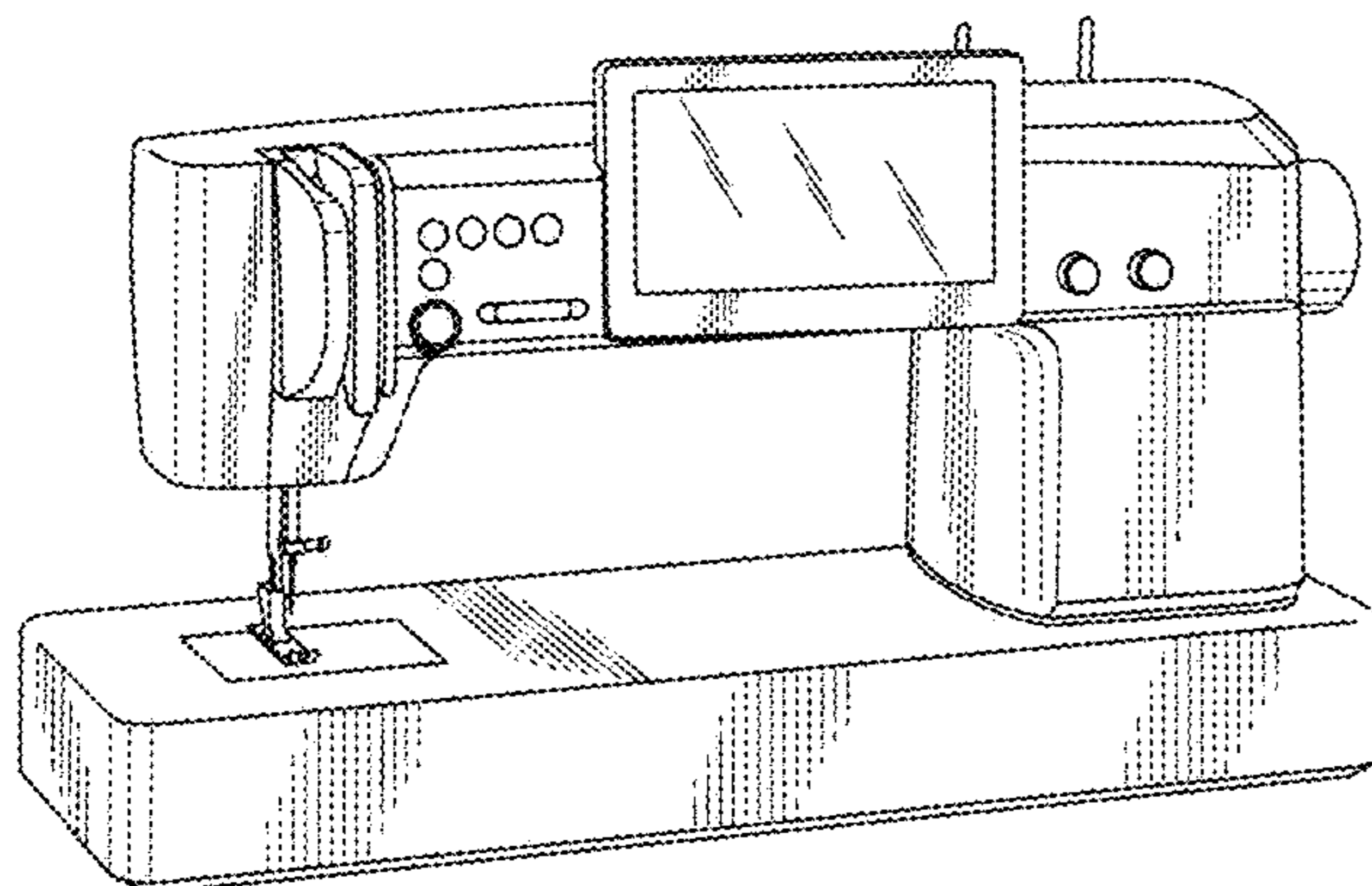
(57) **CLAIM**

The ornamental design for a sewing machine, as shown and described.

DESCRIPTION

FIG. 1 is a front elevational view of a sewing machine showing my new design;
FIG. 2 is a rear elevational view thereof;
FIG. 3 is a left side elevational view thereof;
FIG. 4 is a right side elevational view thereof;
FIG. 5 is a top plan view thereof;
FIG. 6 is a bottom plan view thereof;
FIG. 7 is a front perspective view of a sewing machine showing thereof; and,
FIG. 8 is another front perspective view of a sewing machine showing thereof.

1 Claim, 8 Drawing Sheets



(56)

References Cited

U.S. PATENT DOCUMENTS

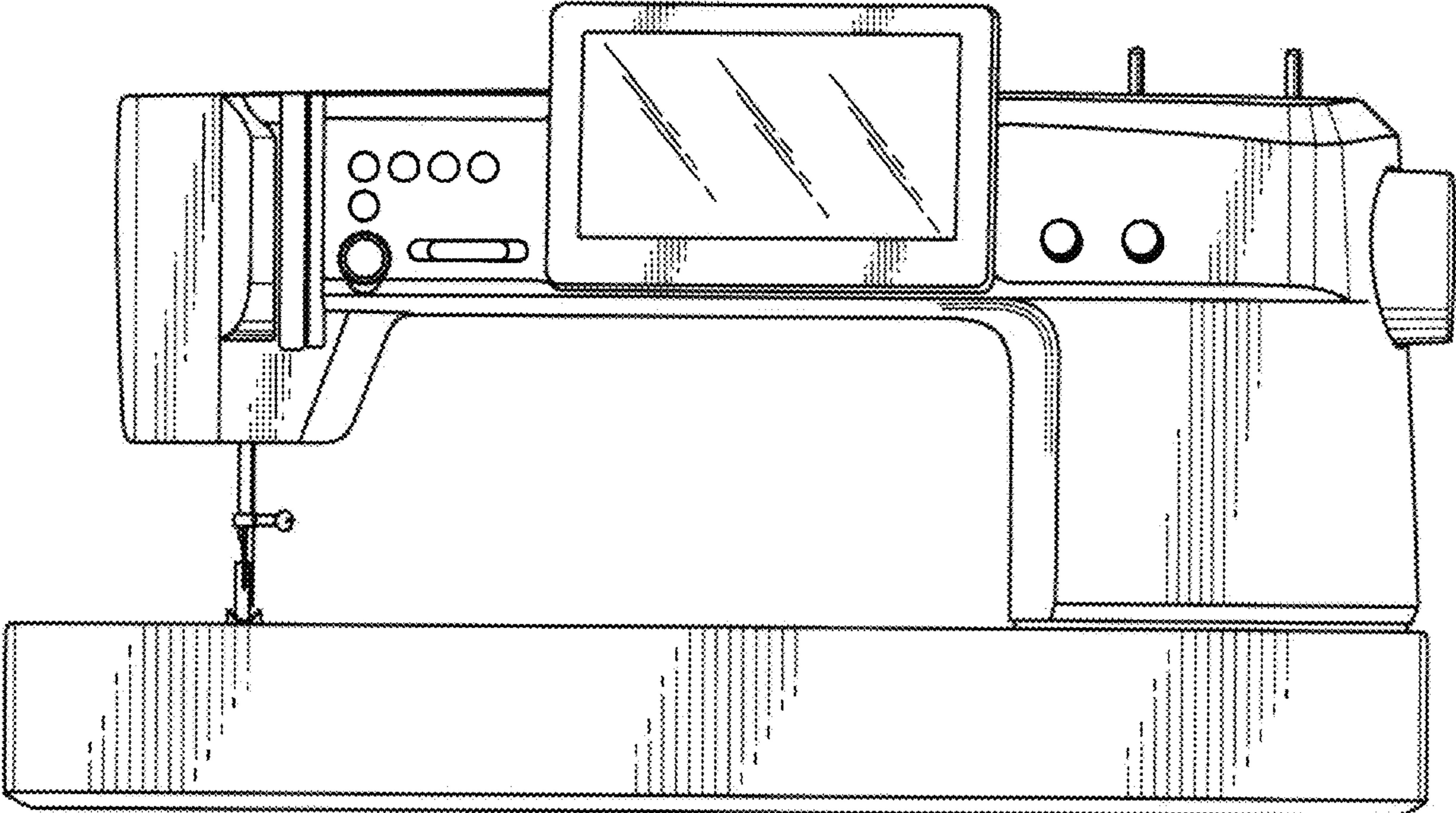
2006/0015209 A1* 1/2006 Schweizer D05B 19/12
700/136
2007/0263919 A1* 11/2007 Wentkowski D05B 79/00
382/141

OTHER PUBLICATIONS

“Bernette b77—Bernette’s Top Dealer!—Top Notch Sew & Vac”
[online]. Bernette. [Product first available on Dec. 9, 2020]. Retrieved
from the Internet: <<https://www.amazon.com/dp/B08Q739CV7/>>.*
“Bernette 38 Sewing Machine with Quilting Foot Kit—Bernette’s
Top Dealer—Top Notch Sew & Vac” [online]. Bernette. [Product
first available on Nov. 19, 2021]. Retrieved from the Internet:
<<https://www.amazon.com/dp/B09M97CMCH/>>.*

* cited by examiner

Fig. 1



F i g . 2

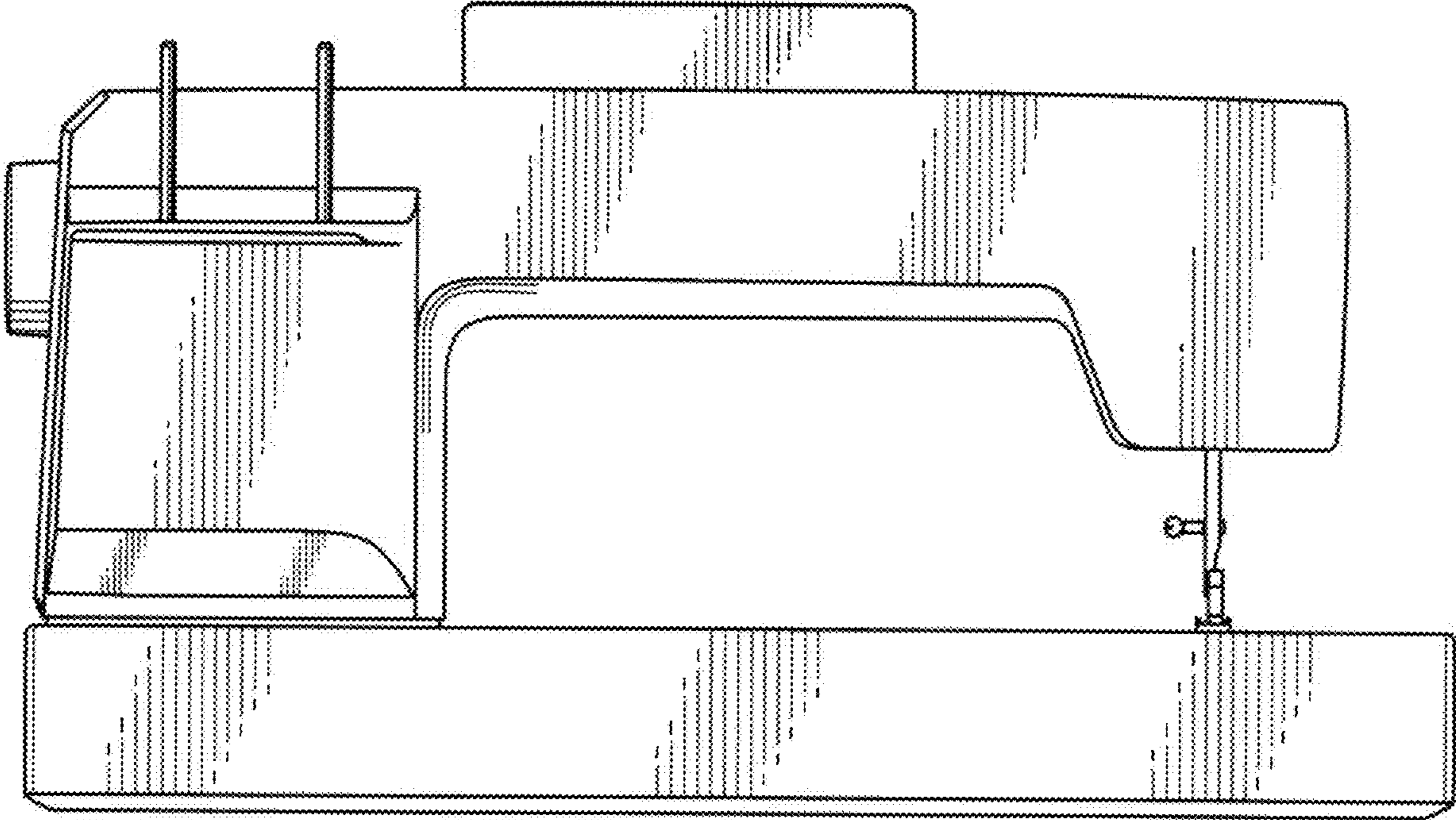


Fig. 3

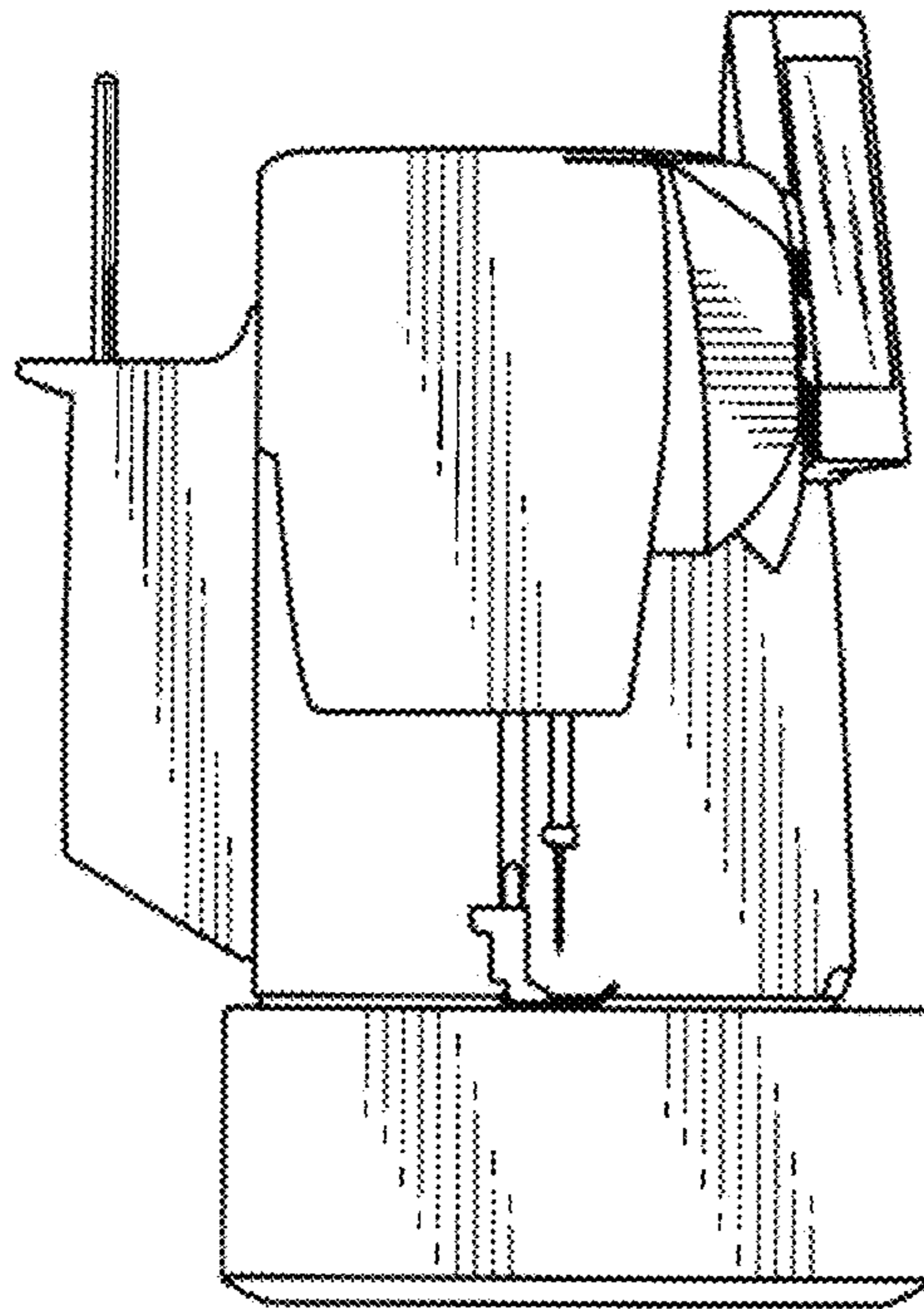


Fig. 4

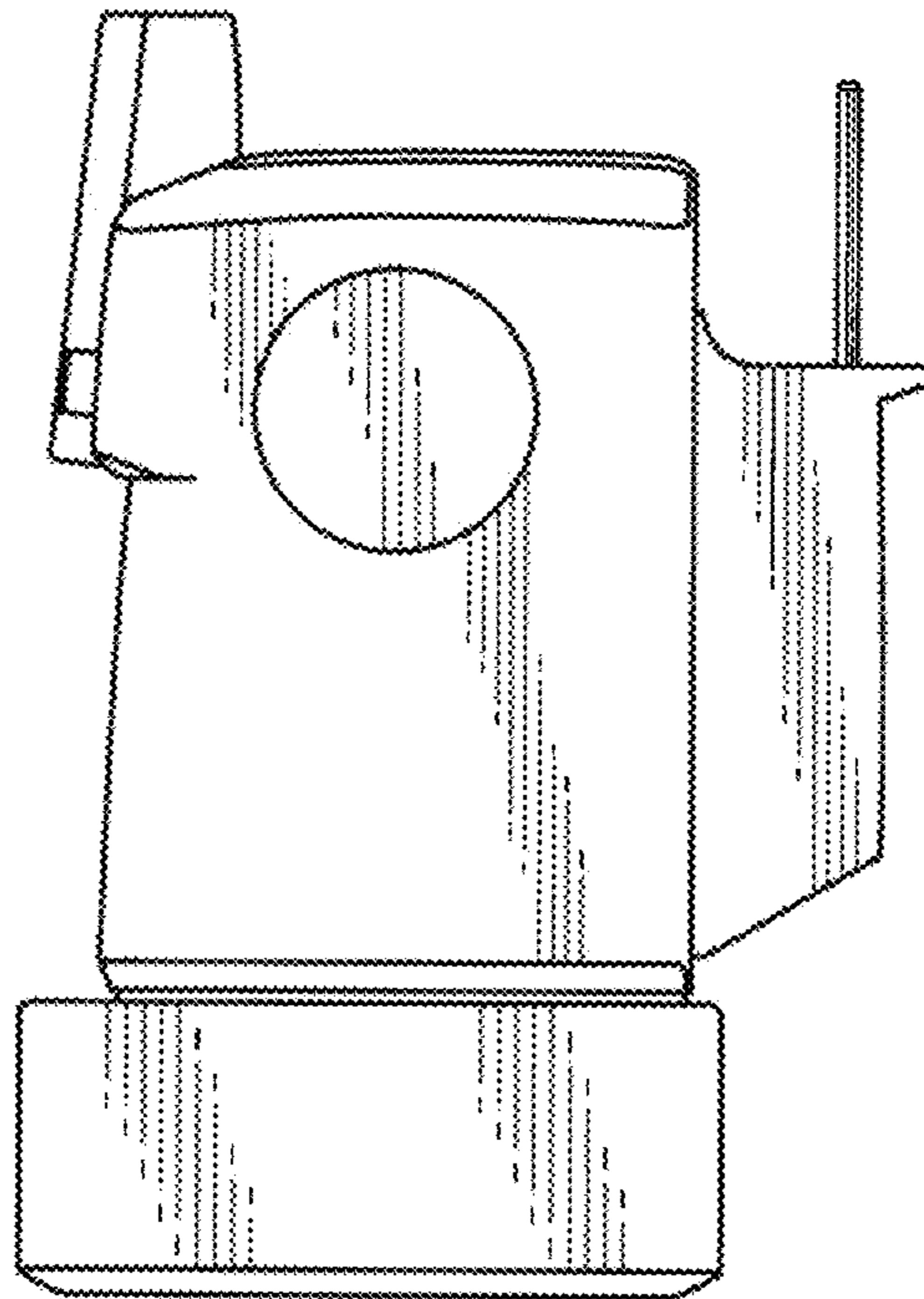


Fig. 5

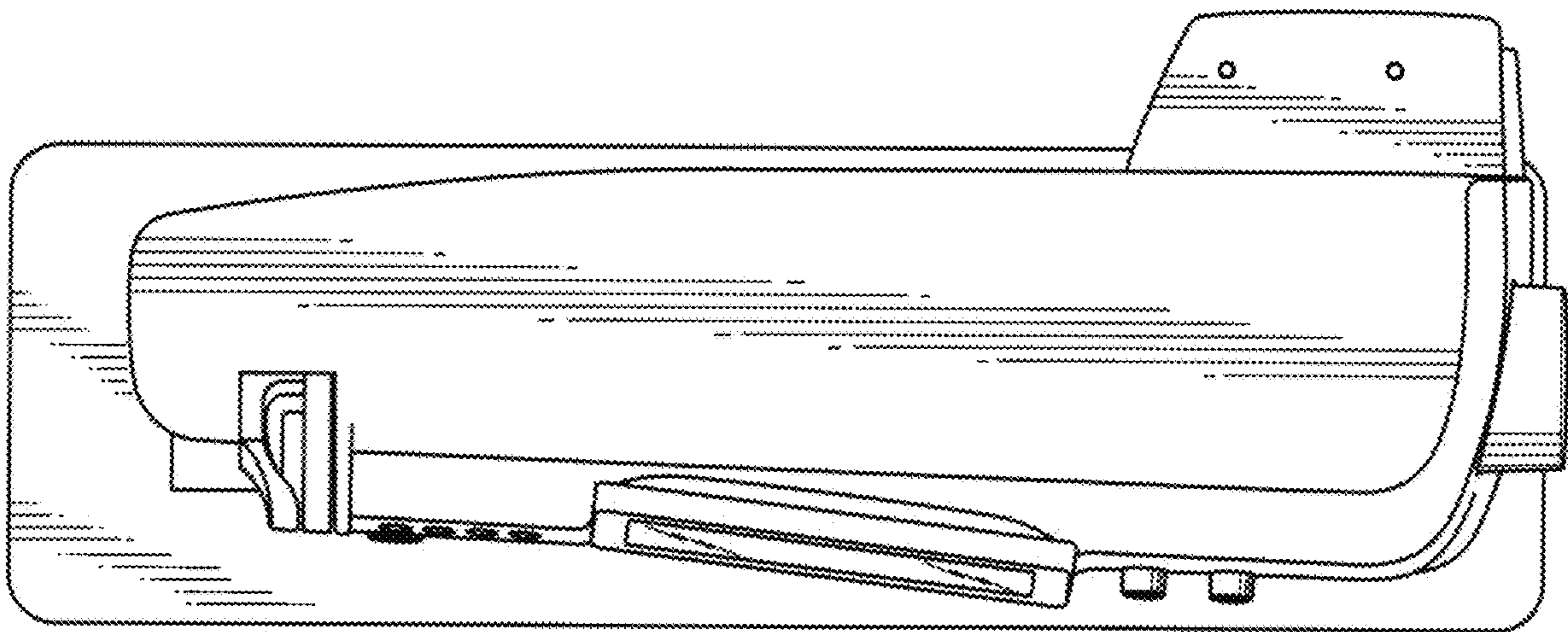


Fig. 6

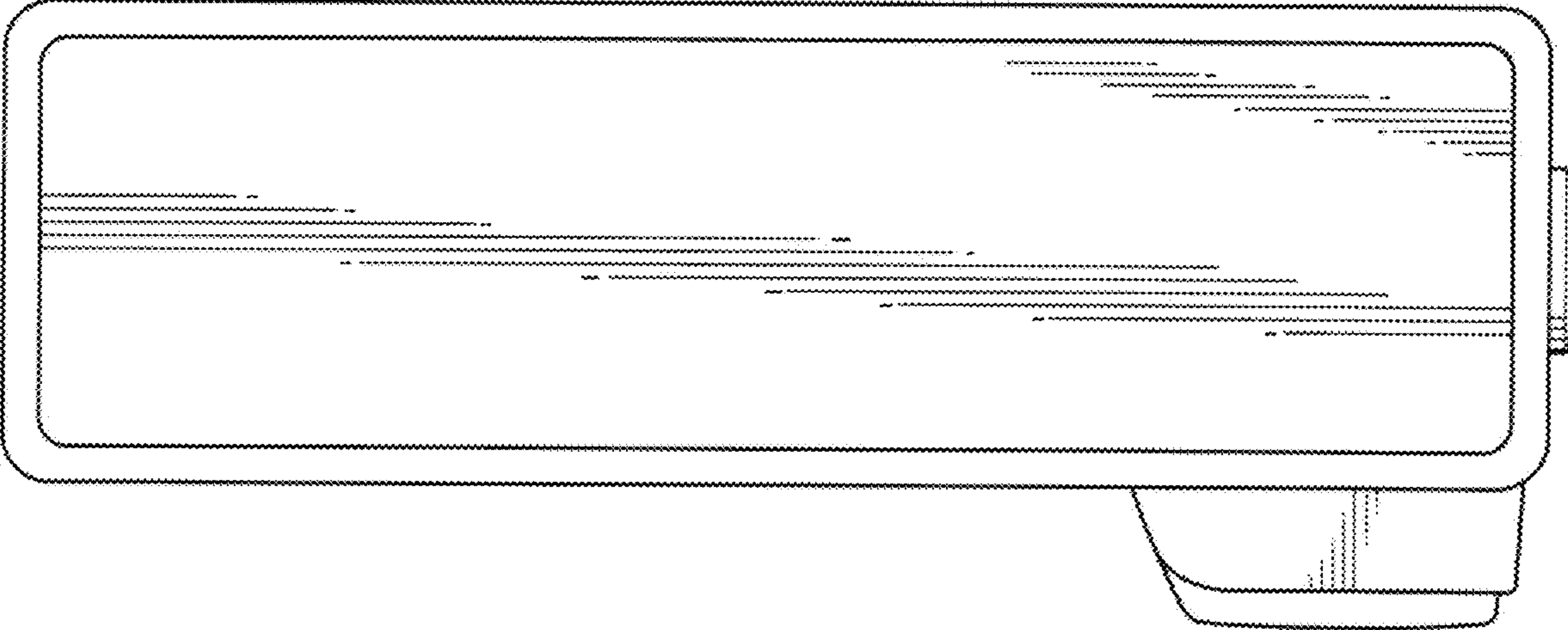


Fig. 7

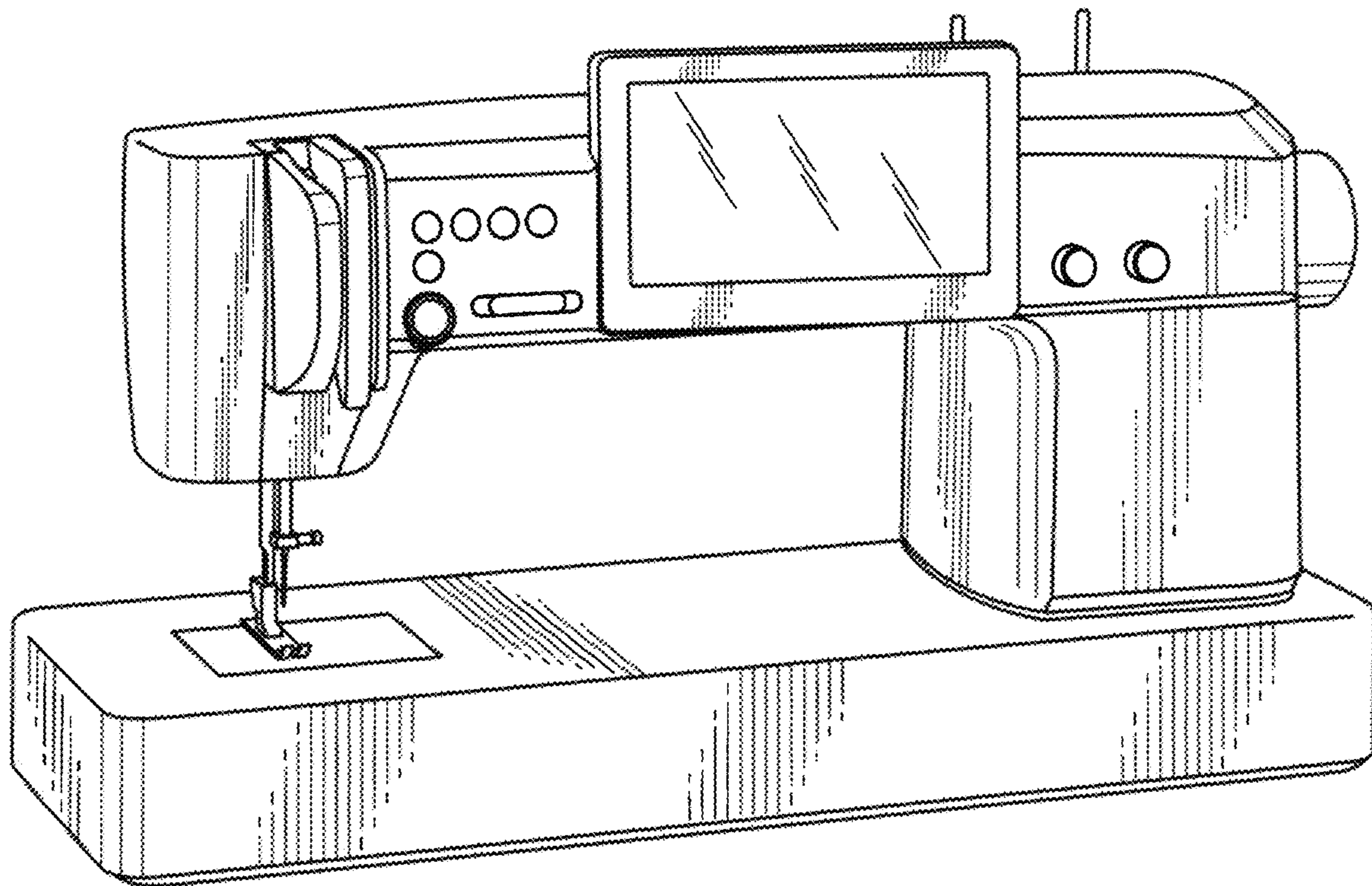


Fig. 8

