



US00D949930S

(12) **United States Design Patent**
Robertson

(10) **Patent No.:** **US D949,930 S**
(45) **Date of Patent:** **** Apr. 26, 2022**

(54) **COMBINE HARVESTER CONCAVE THRESHING BAR**

2,833,288 A 12/1953 Scranton
2,686,523 A 8/1954 Young
2,937,647 A 5/1960 Allen et al.

(Continued)

(71) Applicant: **Brian G. Robertson**, Frisco, TX (US)

(72) Inventor: **Brian G. Robertson**, Frisco, TX (US)

(**) Term: **15 Years**

(21) Appl. No.: **29/670,114**

(22) Filed: **Nov. 13, 2018**

FOREIGN PATENT DOCUMENTS

CA 2297624 A1 1/2001
DE 1111446 B 7/1961

(Continued)

OTHER PUBLICATIONS

PCT/US2018/067237 International Search Report and Written Opinion, dated Mar. 22, 2019, 12 pp. total.

(Continued)

Primary Examiner — Mark A Goodwin

(74) *Attorney, Agent, or Firm* — Law Office of Sam Sokhansanj PLLC

Related U.S. Application Data

(63) Continuation of application No. 16/159,431, filed on Oct. 12, 2018, now abandoned, and a continuation of application No. 16/115,331, filed on Aug. 28, 2018, now Pat. No. 10,785,916, and a continuation of application No. 15/856,402, filed on Dec. 28, 2017, now Pat. No. 1,134,613, and a continuation of application No. 15/856,381, filed on Dec. 28, 2017, now Pat. No. 10,716,260.

(51) **LOC (13) Cl.** **15-03**

(52) **U.S. Cl.**
USPC **D15/28**

(58) **Field of Classification Search**
USPC D15/10-33; 460/110, 107
CPC A01F 12/20; A01F 12/26; A01F 12/22;
A01F 12/24; A01F 12/18; A01F 7/067;
A01D 41/00; A01D 41/12

See application file for complete search history.

(57) **CLAIM**

The ornamental design for a combine harvester concave threshing bar, as shown and described.

DESCRIPTION

FIG. 1 illustrates a left or right side view for one non-limiting exemplary embodiment of a combine harvester concave threshing bar.

FIG. 2 illustrates a top view for the combine harvester concave threshing bar.

FIG. 3. illustrates a bottom view for the combine harvester concave threshing bar.

FIG. 4 illustrates a perspective view for the combine harvester concave threshing bar; and,

FIG. 5 illustrates another perspective view for the combine harvester concave threshing bar.

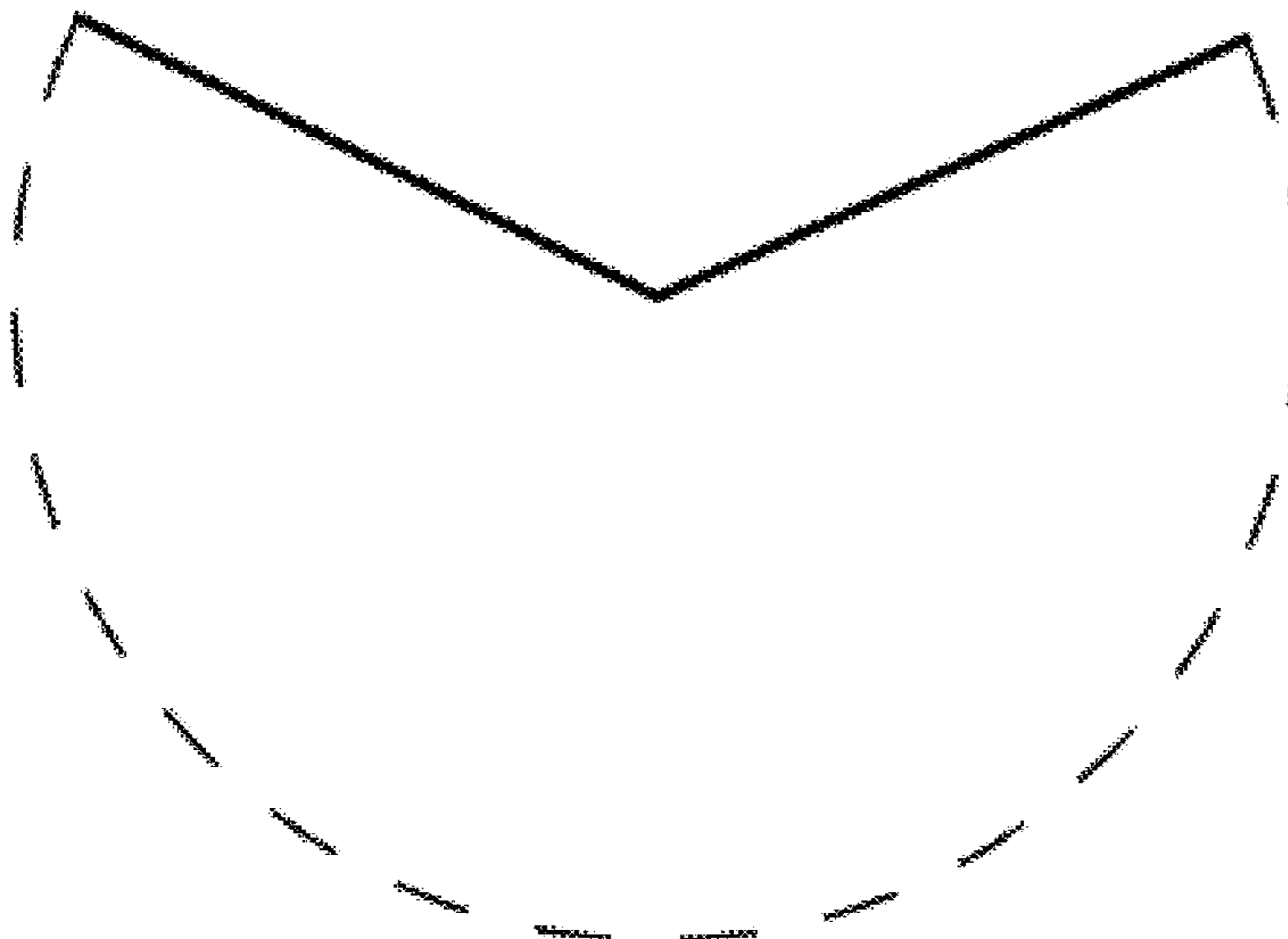
The broken lines in the drawings are included for the purpose of illustrating environmental subject matter and form no part of the claimed design.

(56) **References Cited**

U.S. PATENT DOCUMENTS

34,617 A 3/1862 Welsh
952,795 A 3/1910 Flynn
1,778,664 A 10/1930 Dragon
2,159,664 A 5/1939 Lindgren
2,305,964 A 12/1942 Harrison et al.
2,457,680 A 12/1948 Johnson

1 Claim, 3 Drawing Sheets



(56)

References Cited

U.S. PATENT DOCUMENTS

3,092,115 A 6/1963 Morgan
 3,191,607 A 6/1965 Baumeister et al.
 3,439,684 A 4/1969 Davidow et al.
 3,568,682 A 3/1971 Knapp et al.
 3,696,815 A 10/1972 Rowland-Hill et al.
 3,716,060 A 2/1973 Suzue
 3,983,883 A 10/1976 Ashton et al.
 4,353,376 A 10/1982 Schuler
 4,383,652 A * 5/1983 Osborne A01F 29/06
 241/101.742
 4,495,954 A 1/1985 Yarbrough
 4,499,908 A 2/1985 Niehaus
 4,875,891 A 10/1989 Turner et al.
 5,489,239 A 2/1996 Matousek et al.
 5,569,080 A 10/1996 Estes
 5,613,907 A 3/1997 Harden
 6,074,297 A 6/2000 Kuchar
 6,193,604 B1 2/2001 Ramp et al.
 6,485,364 B1 * 11/2002 Gryspeerdt A01D 41/1271
 460/107
 6,537,148 B2 3/2003 Schwersmann
 6,958,012 B2 10/2005 Duquesne et al.
 7,166,026 B2 1/2007 Ricketts et al.
 7,207,882 B2 4/2007 Schmidt et al.
 7,285,043 B2 10/2007 Foster et al.
 D624,939 S * 10/2010 Flickinger D15/28
 8,313,361 B2 11/2012 Flickinger et al.
 8,454,416 B1 6/2013 Estes
 8,636,568 B1 1/2014 Farley
 8,690,652 B1 4/2014 Estes
 8,721,411 B2 5/2014 Reiger et al.
 D735,772 S * 8/2015 Ricketts A01F 12/26
 D15/28
 9,119,349 B2 * 9/2015 Ricketts A01F 12/26
 9,215,845 B2 12/2015 Regier
 9,504,204 B2 * 11/2016 Kile A01D 41/12
 RE46,401 E 5/2017 Estes
 9,723,791 B1 8/2017 Kile
 9,723,792 B1 * 8/2017 Kile A01D 41/12

10,045,487 B1 8/2018 Robertson
 10,368,492 B2 8/2019 Ricketts et al.
 10,390,490 B1 * 8/2019 Kile A01D 41/12
 10,412,895 B2 * 9/2019 Theisen A01F 12/26
 10,440,893 B2 * 10/2019 Kile A01F 12/26
 10,609,867 B1 * 4/2020 Kile A01F 12/28
 10,785,916 B2 * 9/2020 Robertson A01F 12/26
 10,849,275 B2 * 12/2020 Estes A01F 7/06
 2005/0197176 A1 9/2005 Foster et al.
 2006/0128451 A1 6/2006 Ricketts et al.
 2006/0128452 A1 6/2006 Esken et al.
 2010/0267433 A1 10/2010 Flickinger et al.
 2011/0143827 A1 6/2011 Flickinger et al.
 2011/0151951 A1 6/2011 Regier et al.
 2014/0087793 A1 3/2014 Regier
 2015/0250101 A1 9/2015 Kile
 2016/0345499 A1 12/2016 Van Hullebusch
 2016/0353662 A1 12/2016 Haus et al.
 2017/0347529 A1 12/2017 Bussman et al.
 2018/0103588 A1 4/2018 Ritter
 2018/0368325 A1 12/2018 Koudela
 2019/0166767 A1 6/2019 Robertson
 2019/0166768 A1 6/2019 Robertson

FOREIGN PATENT DOCUMENTS

KR 20040012630 A 2/2004
 WO WO0124609 A1 4/2001
 WO WO2018237234 A1 12/2018

OTHER PUBLICATIONS

PCT/US2018/067245 International Search Report and Written Opinion, dated Mar. 25, 2019, 44 pp. total.
 PCT/US2018/067256 International Search Report and Written Opinion, dated Mar. 22, 2019, 39 pp. total.
 PCT/US2018/067262 International Search Report and Written Opinion, dated Apr. 2, 2019, 39 pp. total.
 Peter Miu, "Combine Harvesters Theory, Modeling, and Design," 2016, CRC Press, 485 pp. total.

* cited by examiner

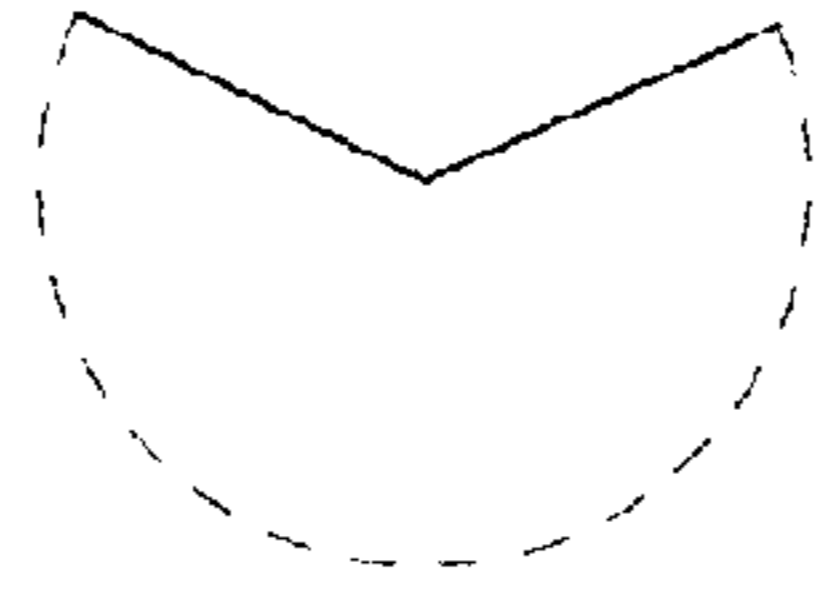


FIG. 1

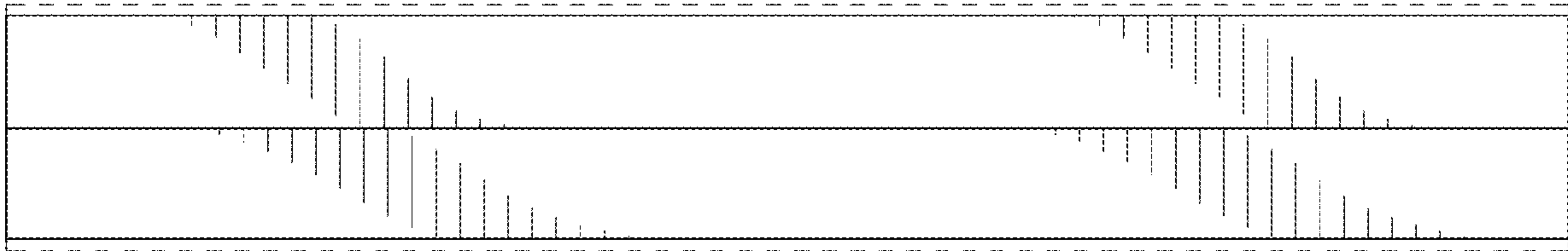


FIG. 2



FIG. 3

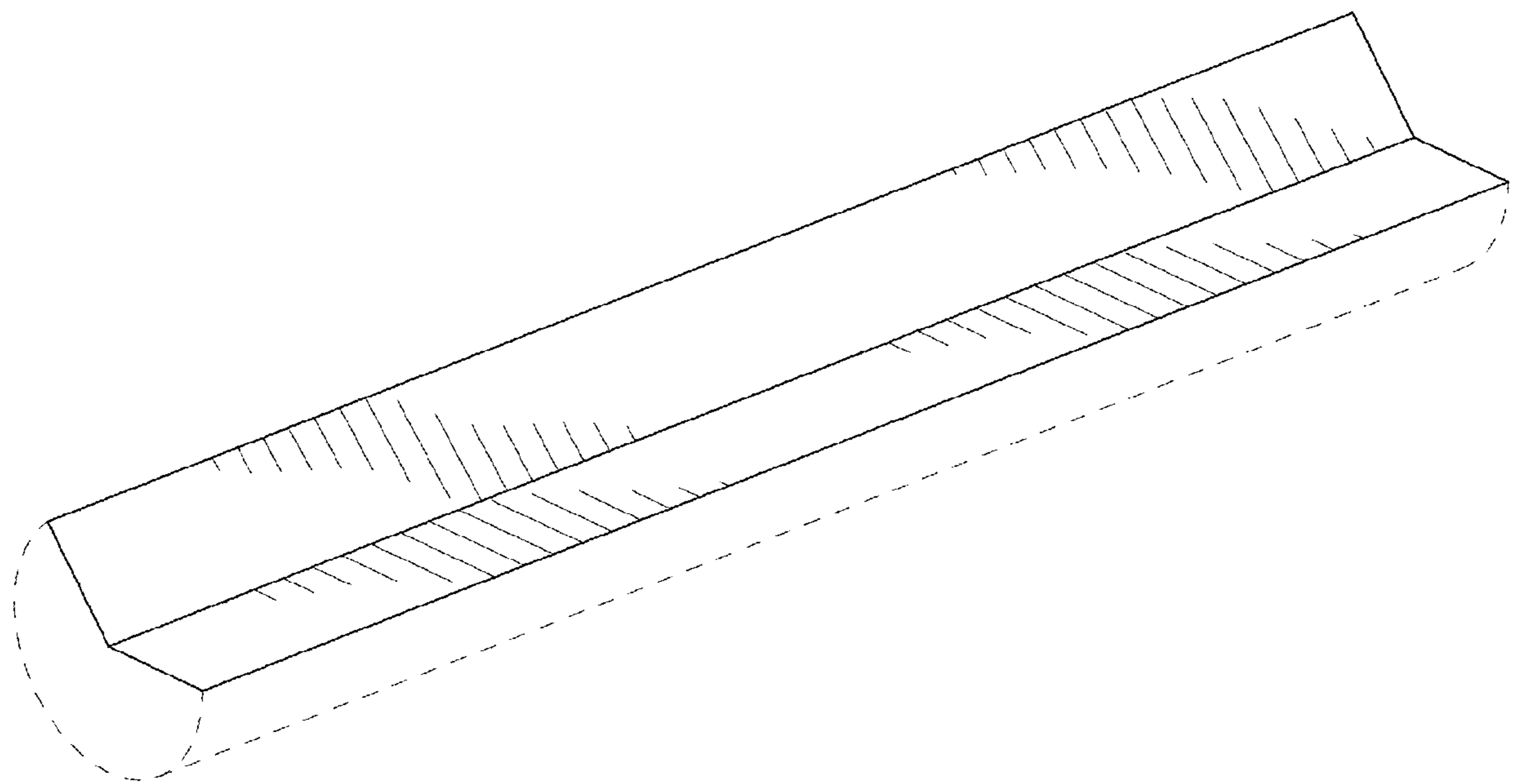


FIG. 4

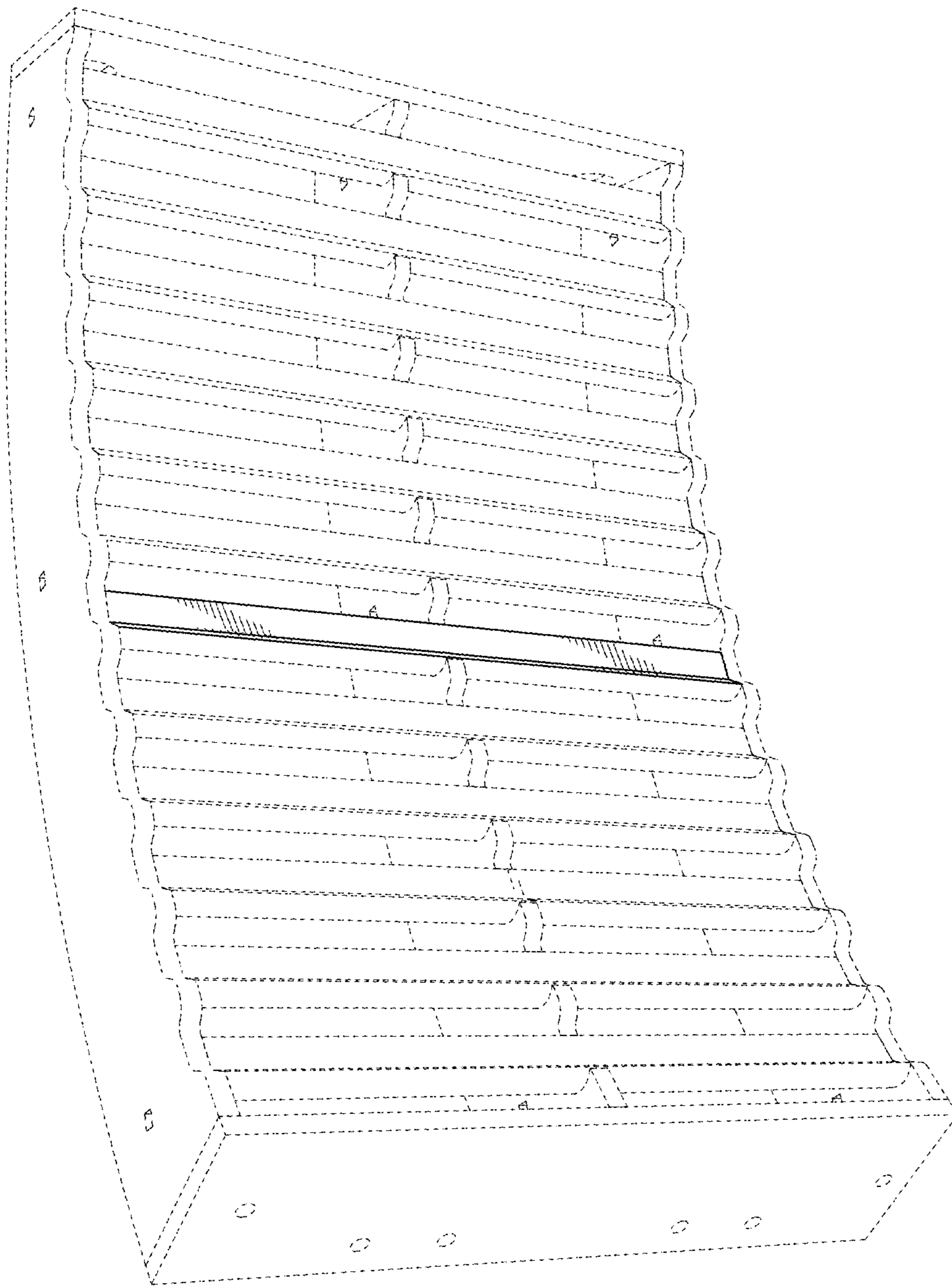


FIG. 5