



US00D949929S

(12) **United States Design Patent**  
**Yamamoto**

(10) **Patent No.:** **US D949,929 S**  
(45) **Date of Patent:** **\*\* Apr. 26, 2022**

(54) **BORING MACHINE WITH CASING DRIVER**

(56)

**References Cited**

(71) Applicant: **YAMAMOTO FOUNDATION**  
**WORKS CO., LTD.**, Yamanashi (JP)

(72) Inventor: **Takekazu Yamamoto**, Yamanashi-ken  
(JP)

(73) Assignee: **YAMAMOTO FOUNDATION**  
**WORKS CO., LTD.**, Yamanashi (JP)

(\*\*) Term: **15 Years**

(21) Appl. No.: **29/796,473**

(22) Filed: **Jun. 24, 2021**

U.S. PATENT DOCUMENTS

4,049,065 A \* 9/1977 Walter ..... E21B 3/02  
175/52  
D253,535 S \* 11/1979 Schmidt ..... D15/21  
D264,590 S 5/1982 Thomas  
D267,719 S 1/1983 Case

(Continued)

FOREIGN PATENT DOCUMENTS

JP 10-339088 12/1998  
JP 2001-040974 2/2001

OTHER PUBLICATIONS

CAT MD5150C Track Drill (Year: 2016).

*Primary Examiner* — Richard E Chilcot

(74) *Attorney, Agent, or Firm* — Wenderoth, Lind &  
Ponack, L.L.P.

**Related U.S. Application Data**

(62) Division of application No. 35/508,829, filed on Aug.  
23, 2019 (U.S. filing date under 35 U.S.C. 384), and  
having an international filing date of Aug. 23, 2019,  
now Pat. No. Des. 927,558.

**Foreign Application Priority Data**

(30) Mar. 5, 2019 (JP) ..... 2019-004521  
Mar. 5, 2019 (JP) ..... 2019-004522  
Apr. 26, 2019 (JP) ..... 2019-009598

(51) **LOC (13) Cl.** ..... **15-03**

(52) **U.S. Cl.**  
USPC ..... **D15/21**  
CPC ..... **E21B 44/00** (2013.01)

(58) **Field of Classification Search**  
USPC ..... D15/21–26, 132; 73/152.46, 152.59, 11,  
73/24, 48, 25–28, 189, 9.5, 9.52  
CPC ..... E21B 7/023; E21B 7/024; E21B 7/022;  
E21B 7/02; E21B 7/027; E21B 3/02;  
E21B 44/00; B60G 17/005; B60G  
2300/09; B60G 2300/32; B60G 2300/40;  
B62D 55/116; B62D 55/104

See application file for complete search history.

(57)

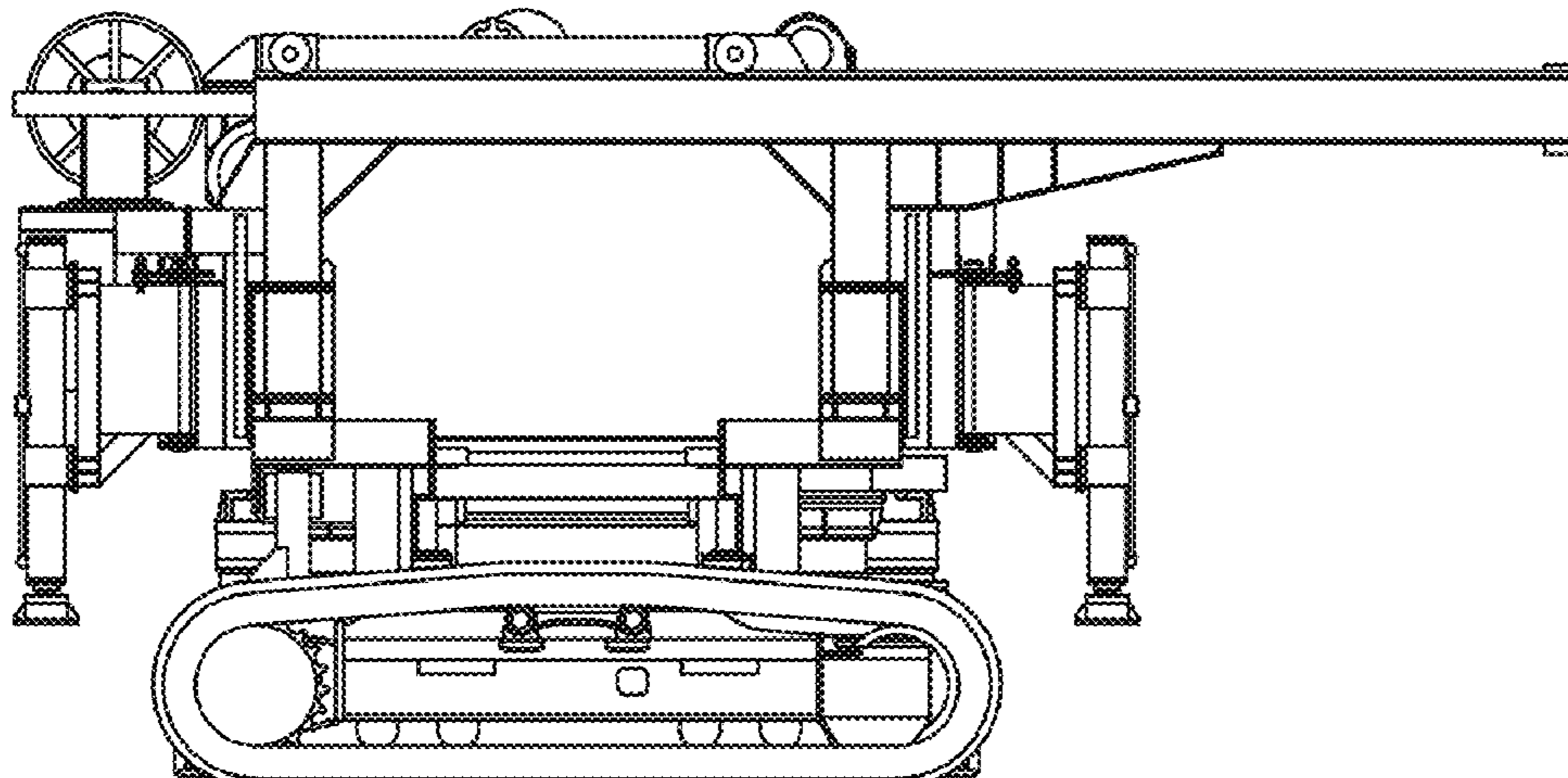
**CLAIM**

The ornamental design for a boring machine with casing  
driver, as shown and described.

**DESCRIPTION**

FIG. 1 is a front view of a boring machine with casing driver  
of my new design, a rear view being a mirror image of the  
front view;  
FIG. 2 is a left view thereof with the 6-6 line;  
FIG. 3 is a right view thereof;  
FIG. 4 is a top view thereof, a bottom view is omitted  
because the article is a heavy object;  
FIG. 5 is a reference view showing a state of use thereof with  
the 7-7 line;  
FIG. 6 is a cross-sectional reference view taken along the  
6-6 line in FIG. 2; and,  
FIG. 7 is an enlarged cross-sectional reference view taken  
along the 7-7 line in FIG. 5.

(Continued)



The broken lines in the figures are for the purpose of illustrating portions of the article that form no part of the claimed design.

**1 Claim, 7 Drawing Sheets**

(56)

**References Cited**

U.S. PATENT DOCUMENTS

4,371,041 A \* 2/1983 Becker ..... E21B 19/02  
173/28  
4,449,592 A \* 5/1984 Mayer ..... E21B 19/20  
173/164  
4,625,815 A 12/1986 Spies  
4,703,812 A \* 11/1987 Johnson ..... E21B 7/02  
173/152  
5,236,054 A \* 8/1993 Jack ..... E21B 7/028  
175/57  
5,630,477 A \* 5/1997 Minatre ..... E21B 19/084  
173/184  
5,806,616 A 9/1998 Enlund  
5,844,133 A 12/1998 Goto  
5,927,408 A \* 7/1999 Dummer ..... E21B 44/02  
175/27  
5,931,238 A \* 8/1999 Gilmore ..... E21B 19/146  
175/52  
5,941,324 A 8/1999 Bennett  
D413,907 S 9/1999 Suzaki  
D453,023 S 1/2002 Kaneko  
D477,332 S 7/2003 Bennett  
D506,483 S 6/2005 Saari  
D725,156 S 3/2015 Saari

9,091,125 B2 7/2015 Konduc  
9,121,234 B2 9/2015 Flusche  
9,458,680 B2 10/2016 Kannegaard  
D780,232 S \* 2/2017 Saari ..... D15/30  
D780,234 S \* 2/2017 Saari ..... D15/30  
D780,812 S 3/2017 Niemczyk  
9,703,290 B1 \* 7/2017 Vandapel ..... G05D 1/0248  
9,790,742 B2 \* 10/2017 Spreitzer ..... E21B 7/024  
D851,132 S 6/2019 Cosgrove  
D851,688 S 6/2019 Cosgrove  
10,329,788 B2 6/2019 Jonah  
D856,376 S \* 8/2019 Soe ..... D15/22  
10,612,323 B2 4/2020 Childers  
10,822,924 B2 11/2020 Konduc  
10,899,401 B2 1/2021 Smith  
D927,558 S \* 8/2021 Yamamoto ..... E21B 44/00  
D15/21  
D929,475 S \* 8/2021 Tavares Andre ..... E21B 7/024  
D15/122  
D931,773 S \* 9/2021 Schell ..... D12/169  
2004/0178004 A1 \* 9/2004 MacDonald ..... E21B 7/025  
175/162  
2008/0142235 A1 6/2008 Jacobsson  
2009/0236146 A1 9/2009 Pierz  
2009/0283324 A1 11/2009 Konduc  
2011/0072737 A1 3/2011 Wasterval  
2014/0284107 A1 \* 9/2014 Klein ..... E21B 7/023  
175/55  
2016/0052441 A1 2/2016 Korach  
2016/0376808 A1 12/2016 Magnuson  
2017/0175461 A1 6/2017 Maurer  
2017/0226808 A1 \* 8/2017 Vandapel ..... E21B 12/06  
2018/0112467 A1 4/2018 Chiaramonte  
2018/0245304 A1 \* 8/2018 Koller ..... B66C 23/905  
2020/0024907 A1 1/2020 Gupta  
2020/0115974 A1 4/2020 Hudson

\* cited by examiner

FIG. 1

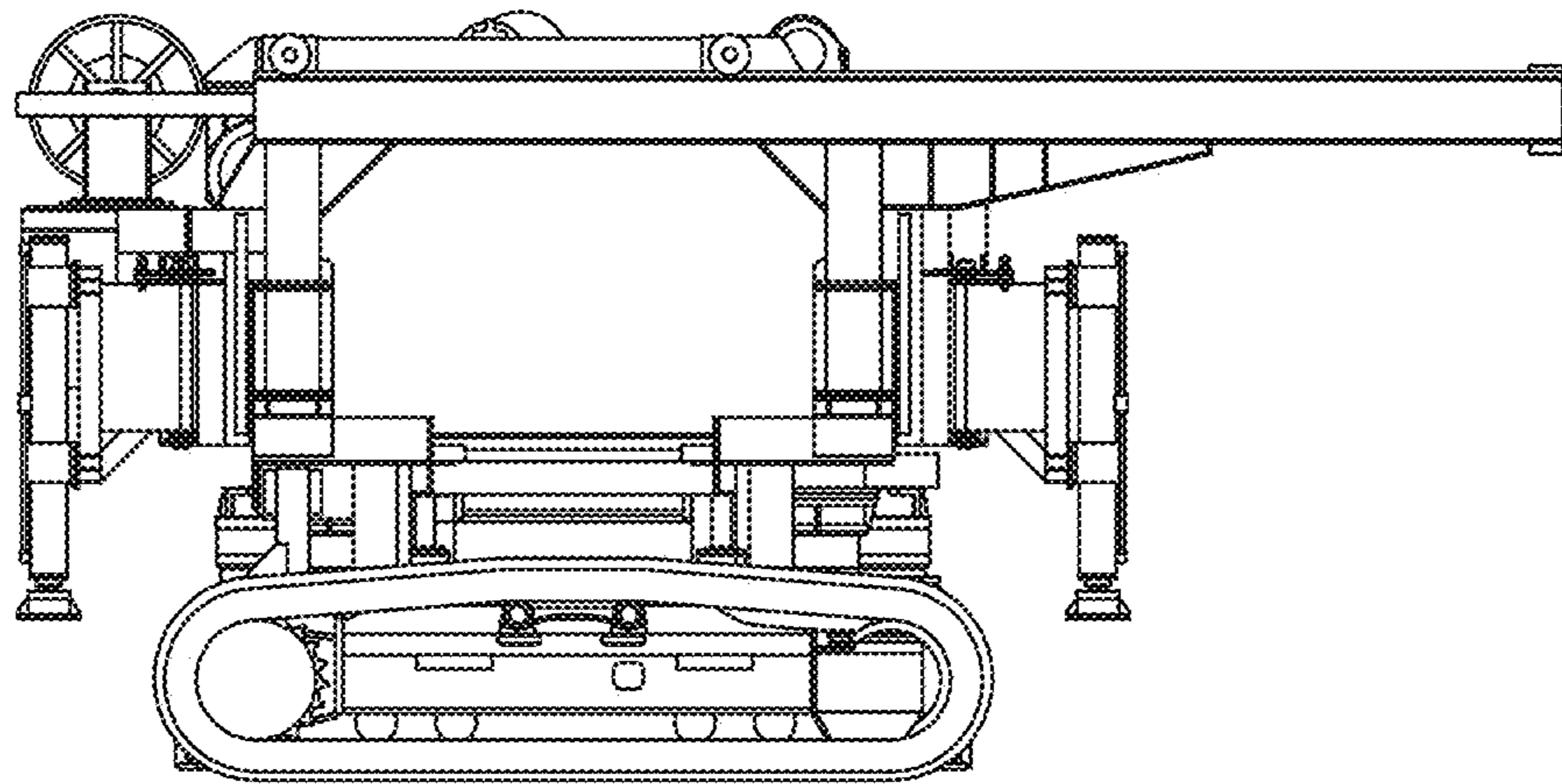


FIG. 2

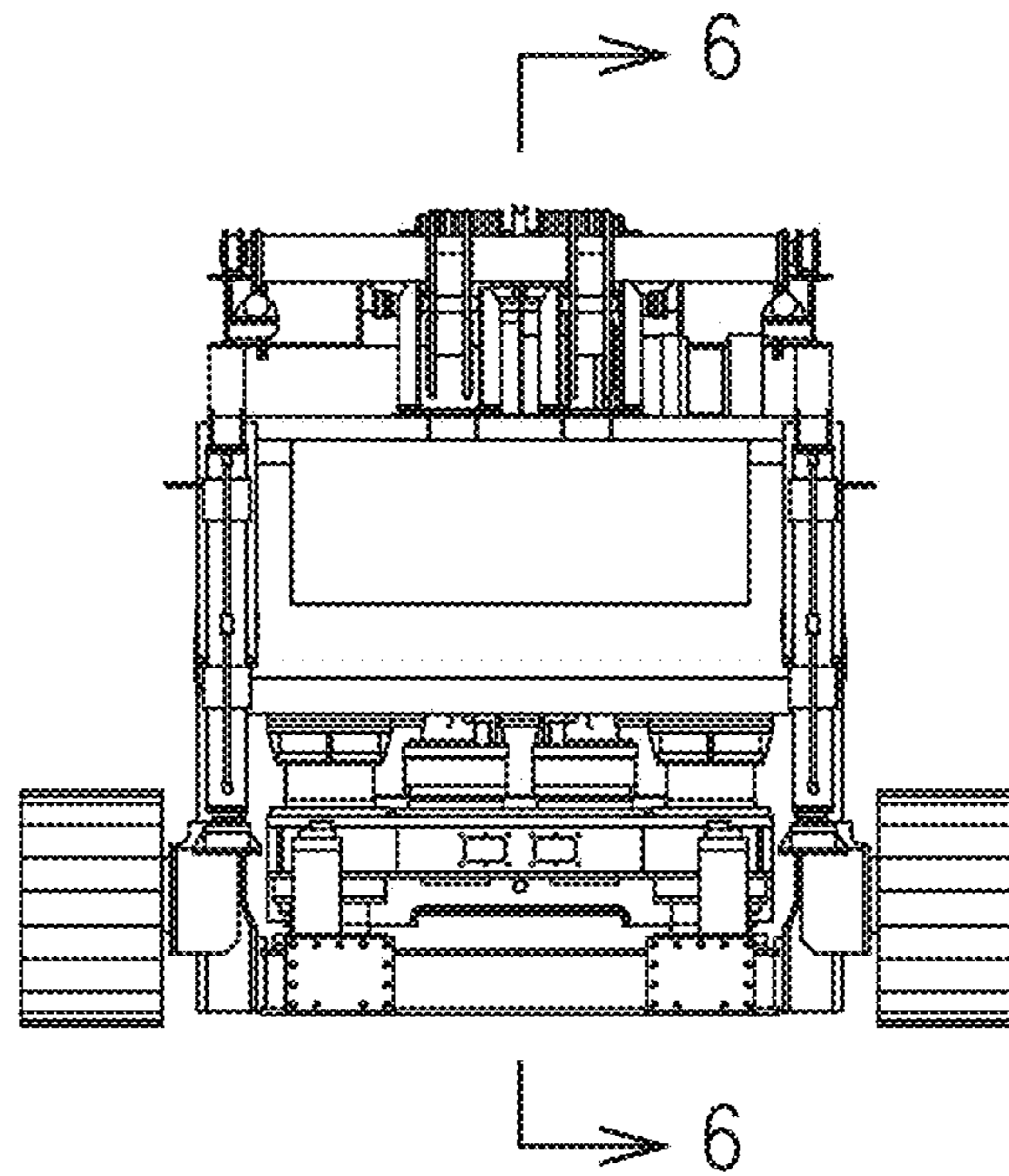


FIG. 3

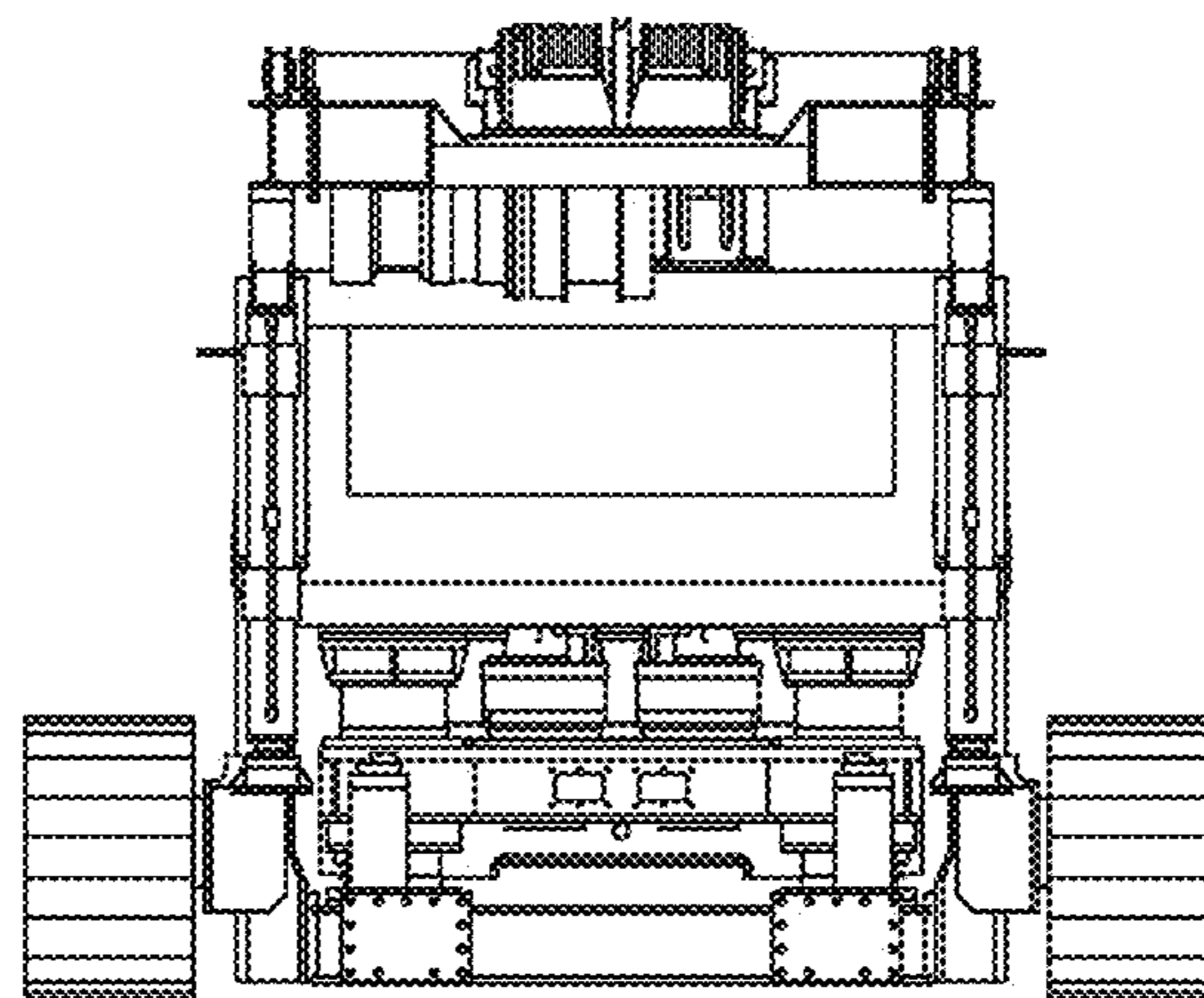


FIG. 4

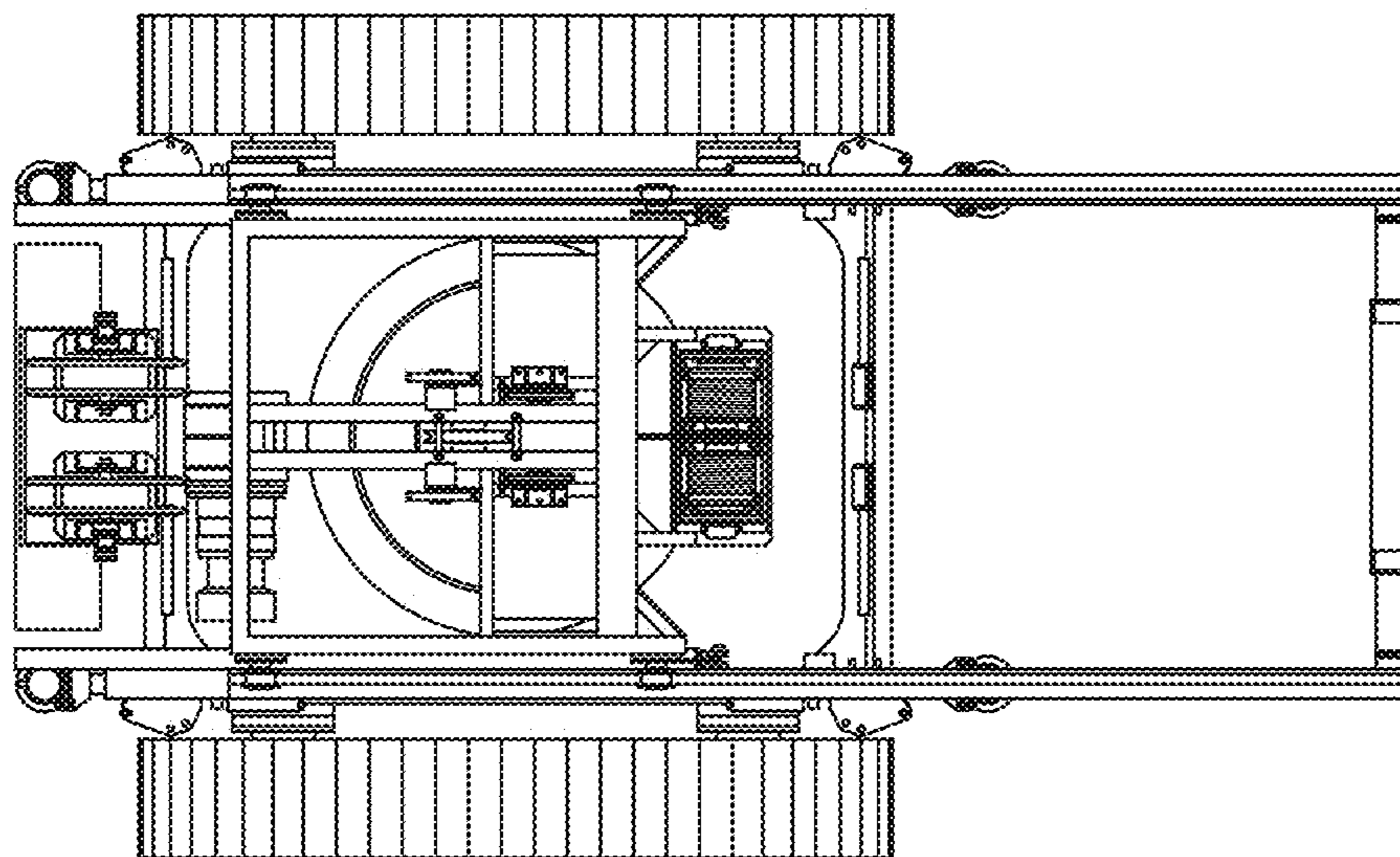


FIG. 5

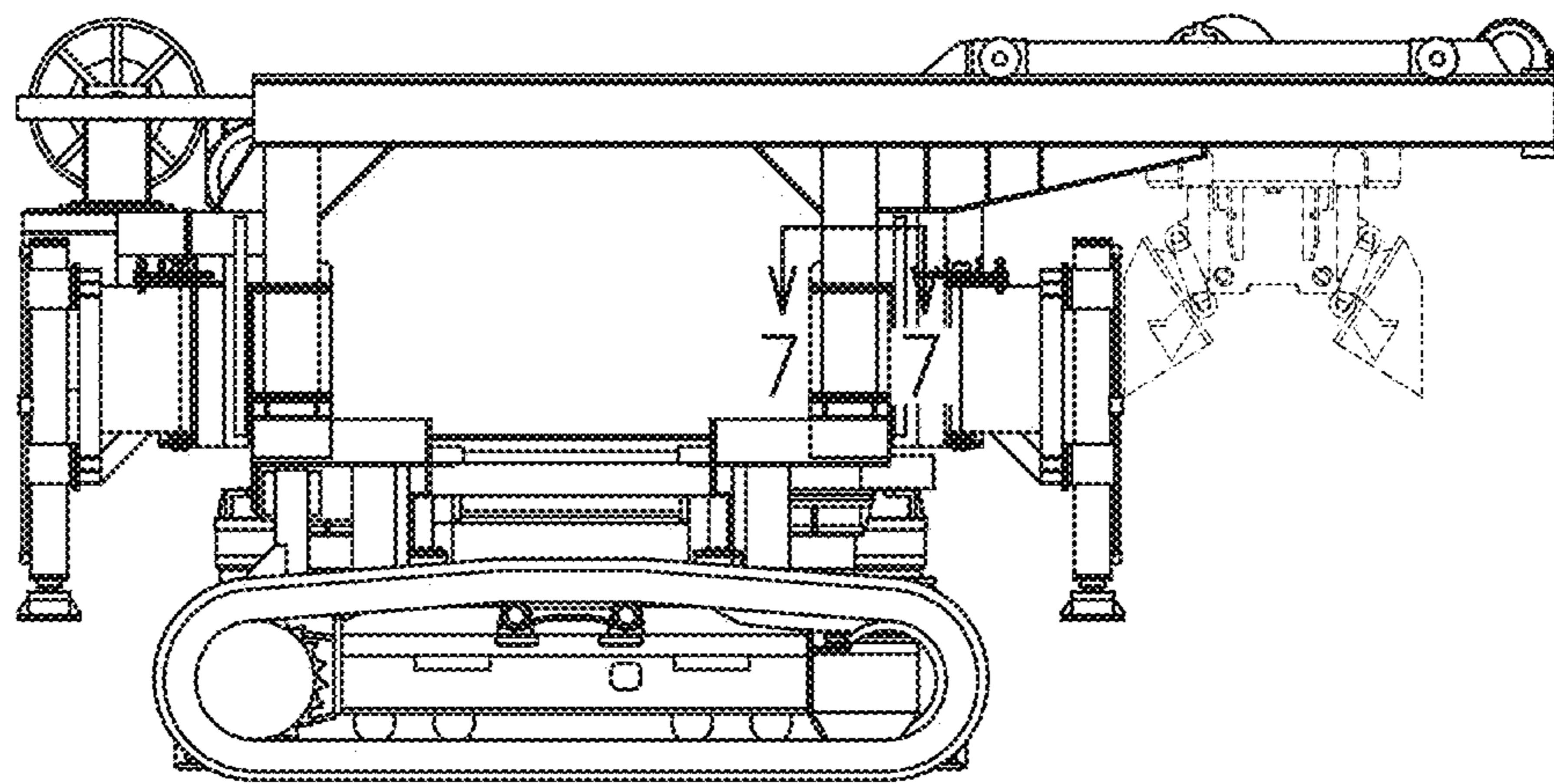


FIG. 6

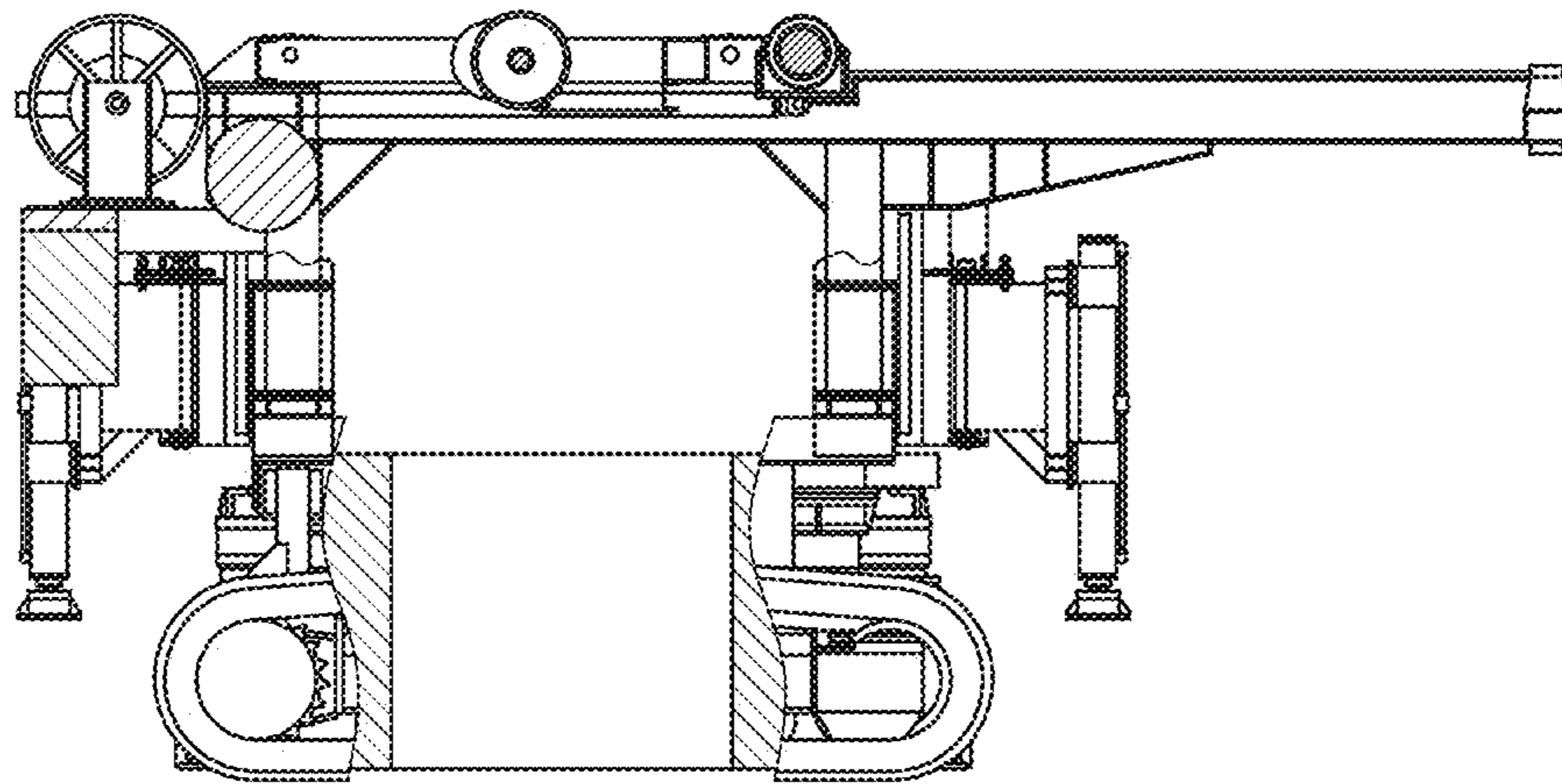




FIG. 7

