



US00D949928S

(12) **United States Design Patent**
Yamamoto

(10) **Patent No.:** **US D949,928 S**

(45) **Date of Patent:** **** Apr. 26, 2022**

(54) **BORING MACHINE WITH CASING DRIVER**

(56)

References Cited

(71) Applicant: **YAMAMOTO FOUNDATION**
WORKS CO., LTD., Yamanashi (JP)

U.S. PATENT DOCUMENTS

(72) Inventor: **Takekazu Yamamoto**, Yamanashi-ken (JP)

4,049,065 A * 9/1977 Walter E21B 3/02
175/52

D253,535 S * 11/1979 Schmidt D15/21

(Continued)

(73) Assignee: **YAMAMOTO FOUNDATION**
WORKS CO., LTD., Yamanashi (JP)

FOREIGN PATENT DOCUMENTS

JP 10-339088 12/1998
JP 2001-040974 2/2001

(**) Term: **15 Years**

OTHER PUBLICATIONS

(21) Appl. No.: **29/796,472**

CAT MD5150C Track Drill (Year: 2016).

(22) Filed: **Jun. 24, 2021**

Primary Examiner — Richard E Chilcot
(74) *Attorney, Agent, or Firm* — Wenderoth, Lind & Ponack, L.L.P.

Related U.S. Application Data

(62) Division of application No. 35/508,829, filed on Aug. 23, 2019 (U.S. filing date under 35 U.S.C. 384), and
(Continued)

(57) **CLAIM**

The ornamental design for a boring machine with casing driver, as shown and described.

DESCRIPTION

(30) **Foreign Application Priority Data**

Mar. 5, 2019 (JP) 2019-004521
Mar. 5, 2019 (JP) 2019-004522
Apr. 26, 2019 (JP) 2019-009598

FIG. 1 is a front view of a boring machine with casing driver of my new design;
FIG. 2 is a rear view thereof;
FIG. 3 is a left view thereof;
FIG. 4 is a right view thereof;
FIG. 5 is a top view thereof, a bottom view is omitted because the article is a heavy object;
FIG. 6 is a reference view showing a state of use thereof;
FIG. 7 is a partial top reference view thereof with the 8-8 line;
FIG. 8 is a cross-sectional reference view taken along the 8-8 line in FIG. 7;
FIG. 9 is a reference view showing the front thereof with the 1.0-10 line; and,
FIG. 10 is an enlarged cross-sectional reference view taken along the 10-10 line in FIG. 9.
The broken lines in the figures are for the purpose of illustrating portions of the article that form no part of the claimed design.

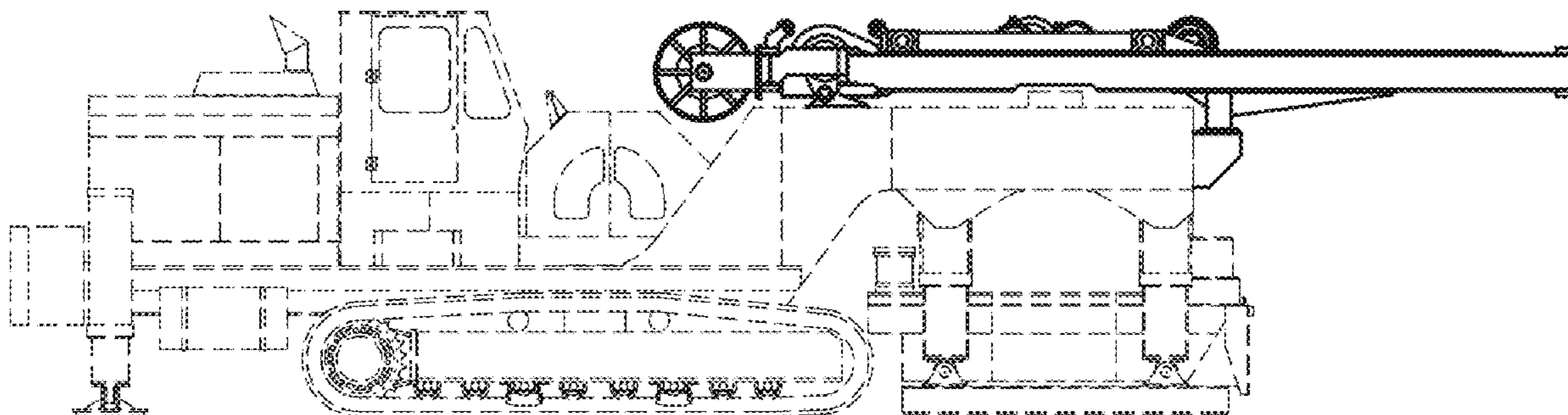
(51) **LOC (13) Cl.** **15-03**

(52) **U.S. Cl.**
USPC **D15/21**

(58) **Field of Classification Search**
USPC D15/21-26, 132; 173/152.46, 152.59, 11, 173/24, 48, 25-28, 189, 9.5, 9.52
CPC E21B 7/023; E21B 7/024; E21B 7/022; E21B 7/02; E21B 7/027; E21B 3/02; E21B 44/00; B60G 17/005; B60G 2300/09; B60G

(Continued)

1 Claim, 10 Drawing Sheets



Related U.S. Application Data

having an international filing date of Aug. 23, 2019,
now Pat. No. Des. 927,558.

- (52) **U.S. Cl.**
CPC *E21B 44/00* (2013.01)
- (58) **Field of Classification Search**
CPC 2300/32; B60G 2300/40; B62D 55/116;
B62D 55/104
See application file for complete search history.

(56) **References Cited**

U.S. PATENT DOCUMENTS

D264,590 S 5/1982 Thomas
D267,719 S 1/1983 Case
4,371,041 A * 2/1983 Becker E21B 19/02
173/28
4,449,592 A * 5/1984 Mayer E21B 19/20
173/164
4,625,815 A 12/1986 Spies
4,703,812 A * 11/1987 Johnson E21B 7/02
173/152
5,236,054 A * 8/1993 Jack E21B 7/028
175/57
5,630,477 A * 5/1997 Minatre E21B 19/084
173/184
5,806,616 A 9/1998 Enlund
5,844,133 A 12/1998 Goto
5,927,408 A * 7/1999 Dummer E21B 44/02
175/27
5,931,238 A * 8/1999 Gilmore E21B 19/146
175/52
5,941,324 A 8/1999 Bennett
D413,907 S 9/1999 Suzaki
D453,023 S 1/2002 Kaneko

D477,332 S 7/2003 Bennett
D506,483 S 6/2005 Saari
D725,156 S 3/2015 Saari
9,091,125 B2 7/2015 Konduc
9,121,234 B2 9/2015 Flusche
9,458,680 B2 10/2016 Kannegaard
D780,232 S * 2/2017 Saari D15/30
D780,234 S * 2/2017 Saari D15/30
D780,812 S 3/2017 Niemczyk
9,703,290 B1 * 7/2017 Vandapel G05D 1/0248
9,790,742 B2 * 10/2017 Spreitzer E21B 7/024
D851,132 S 6/2019 Cosgrove
D851,688 S 6/2019 Cosgrove
10,329,788 B2 6/2019 Jonah
D856,376 S * 8/2019 Soe D15/22
10,612,323 B2 4/2020 Childers
10,822,924 B2 11/2020 Konduc
10,899,401 B2 1/2021 Smith
D927,558 S * 8/2021 Yamamoto E21B 44/00
D15/21
D929,475 S * 8/2021 Tavares Andre E21B 7/024
D15/122
D931,773 S * 9/2021 Schell D12/169
2004/0178004 A1 * 9/2004 MacDonald E21B 7/025
175/162
2008/0142235 A1 6/2008 Jacobsson
2009/0236146 A1 9/2009 Pierz
2009/0283324 A1 11/2009 Konduc
2011/0072737 A1 3/2011 Wasterval
2014/0284107 A1 * 9/2014 Klein E21B 7/023
175/55
2016/0052441 A1 2/2016 Korach
2016/0376808 A1 12/2016 Magnuson
2017/0175461 A1 6/2017 Maurer
2017/0226808 A1 * 8/2017 Vandapel E21B 12/06
2018/0112467 A1 4/2018 Chiaramonte
2018/0245304 A1 * 8/2018 Koller B66C 23/905
2020/0024907 A1 1/2020 Gupta
2020/0115974 A1 4/2020 Hudson

* cited by examiner

FIG. 1

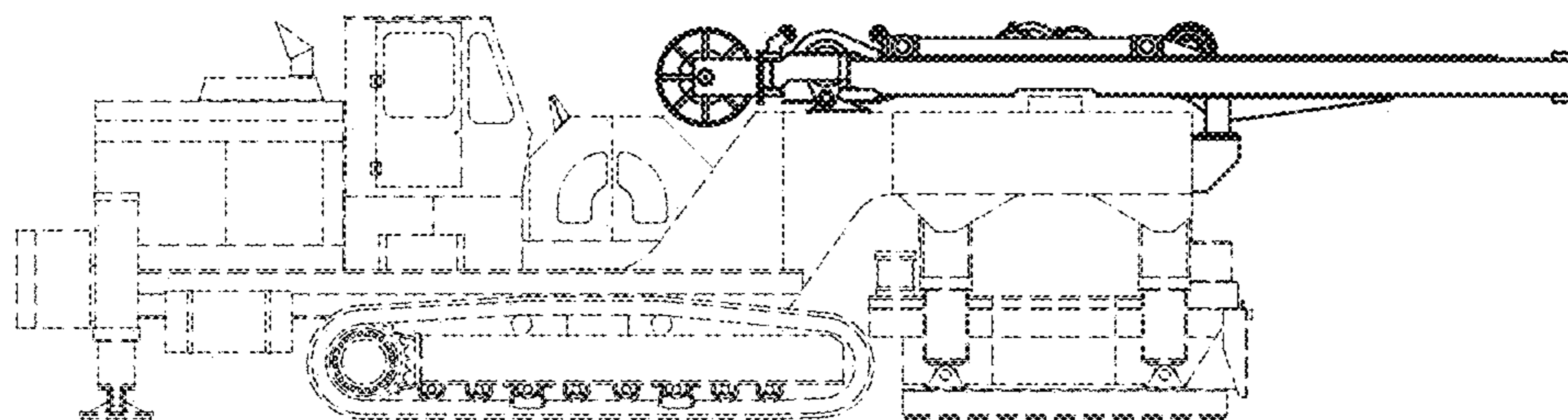


FIG. 2

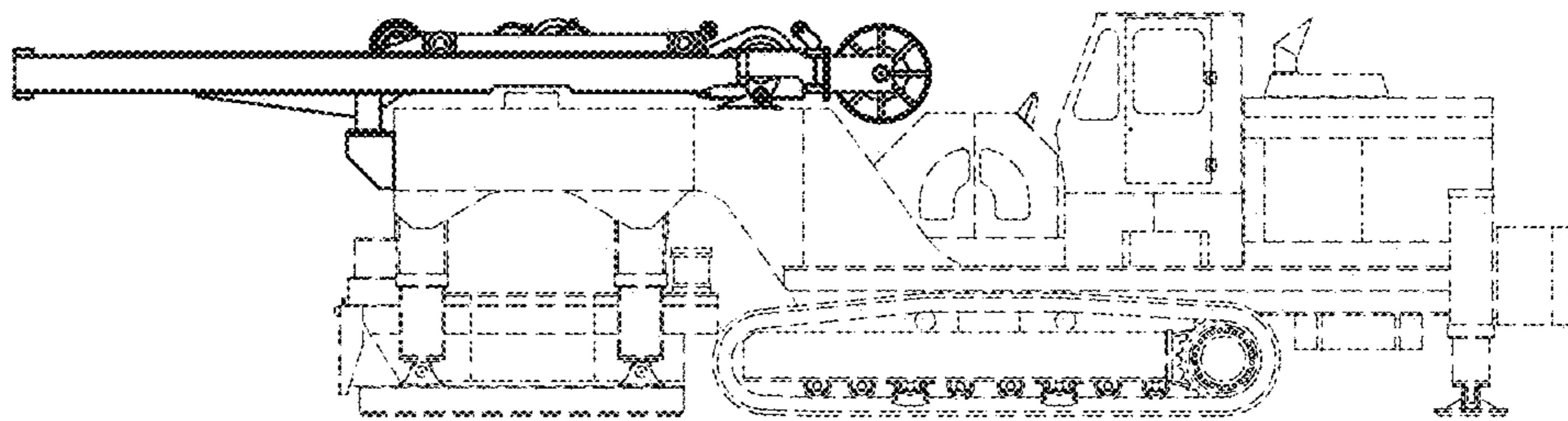


FIG. 3

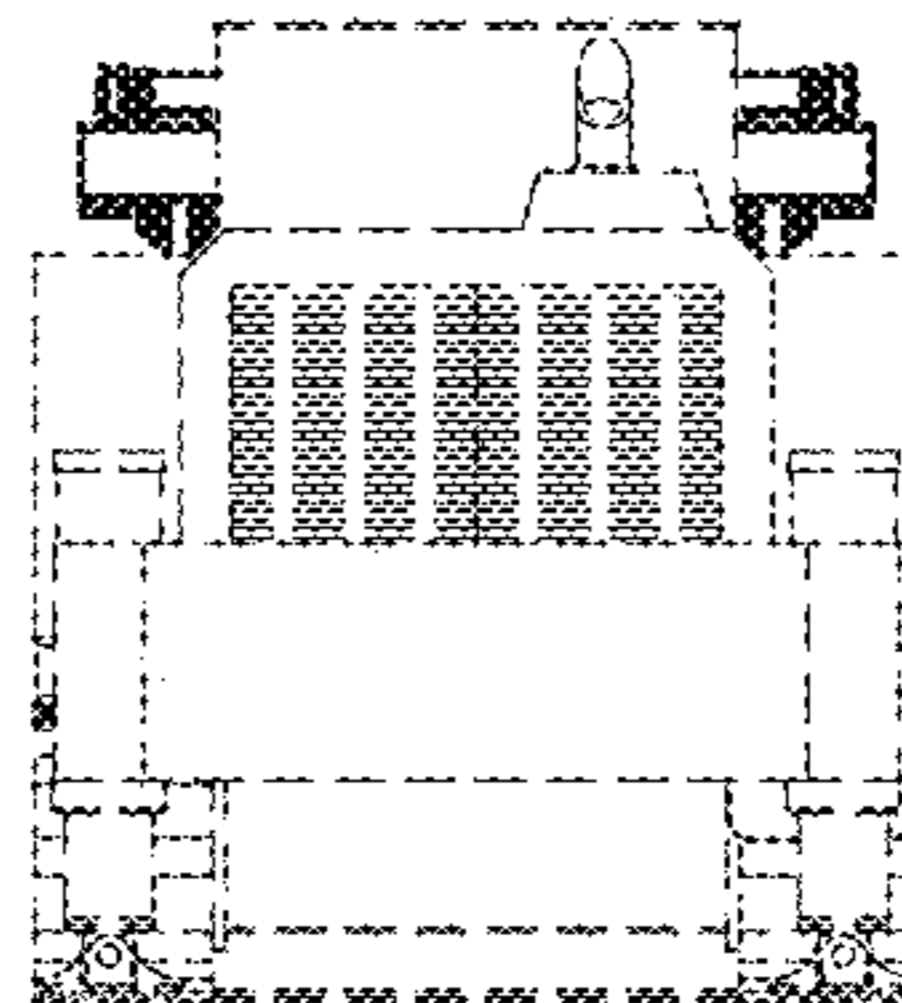


FIG. 4

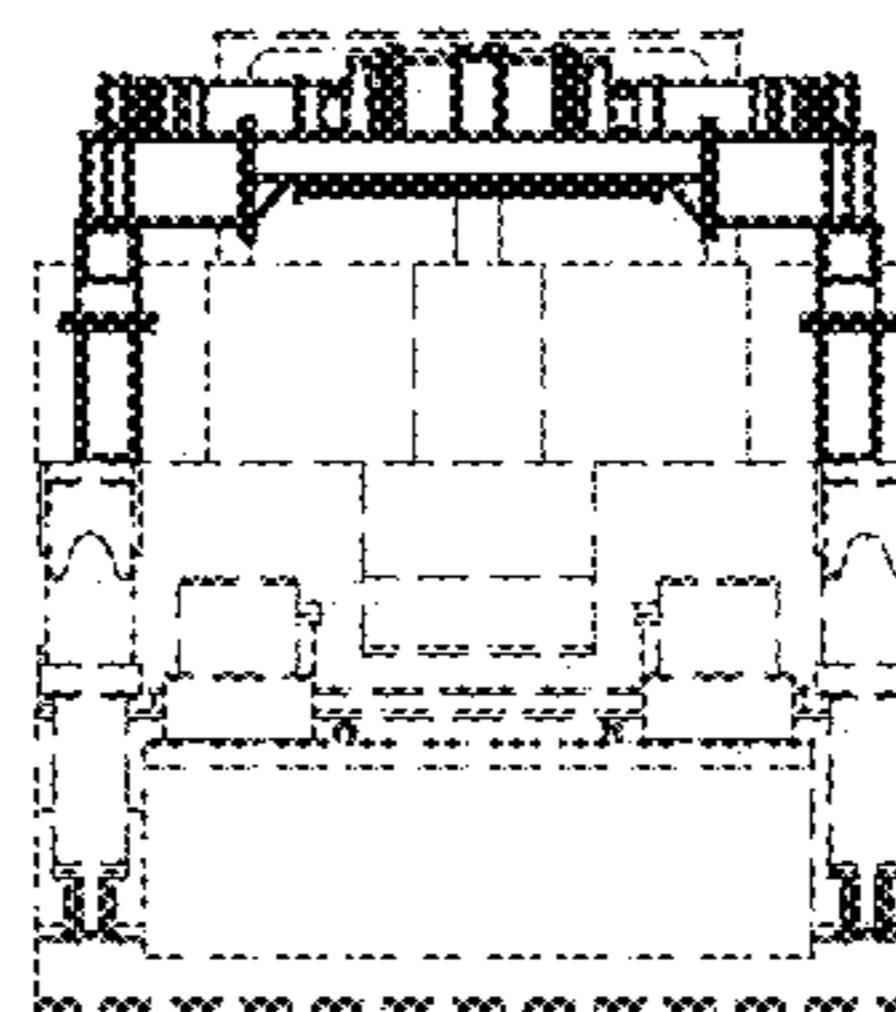


FIG. 5

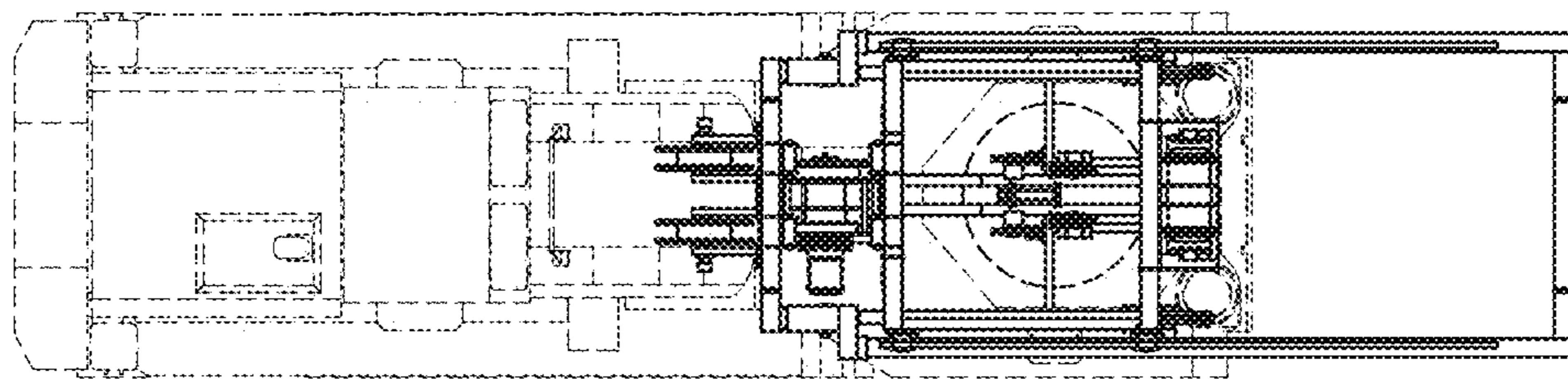


FIG. 6

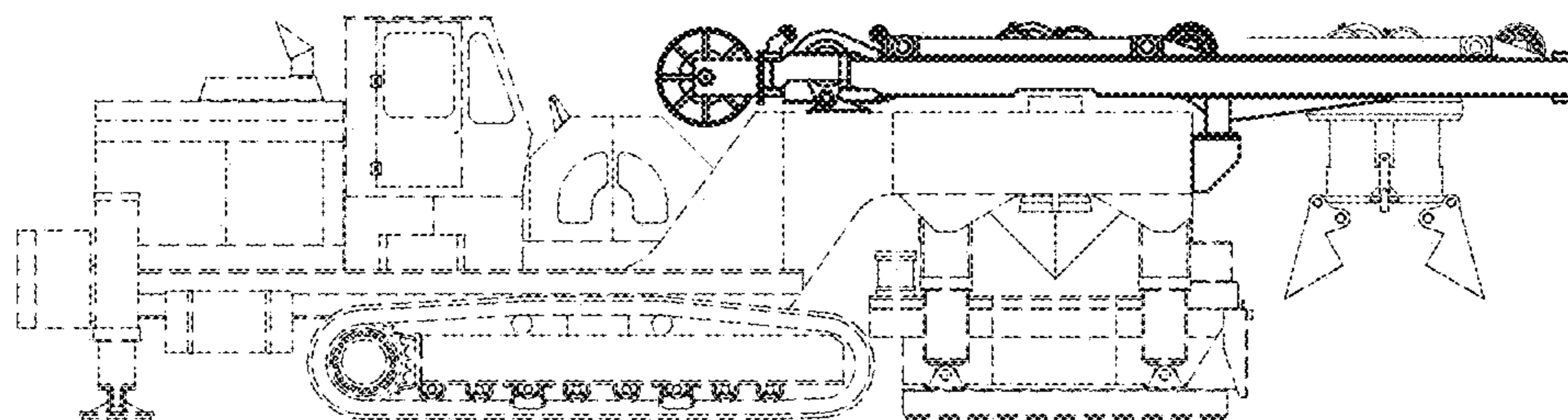


FIG. 7

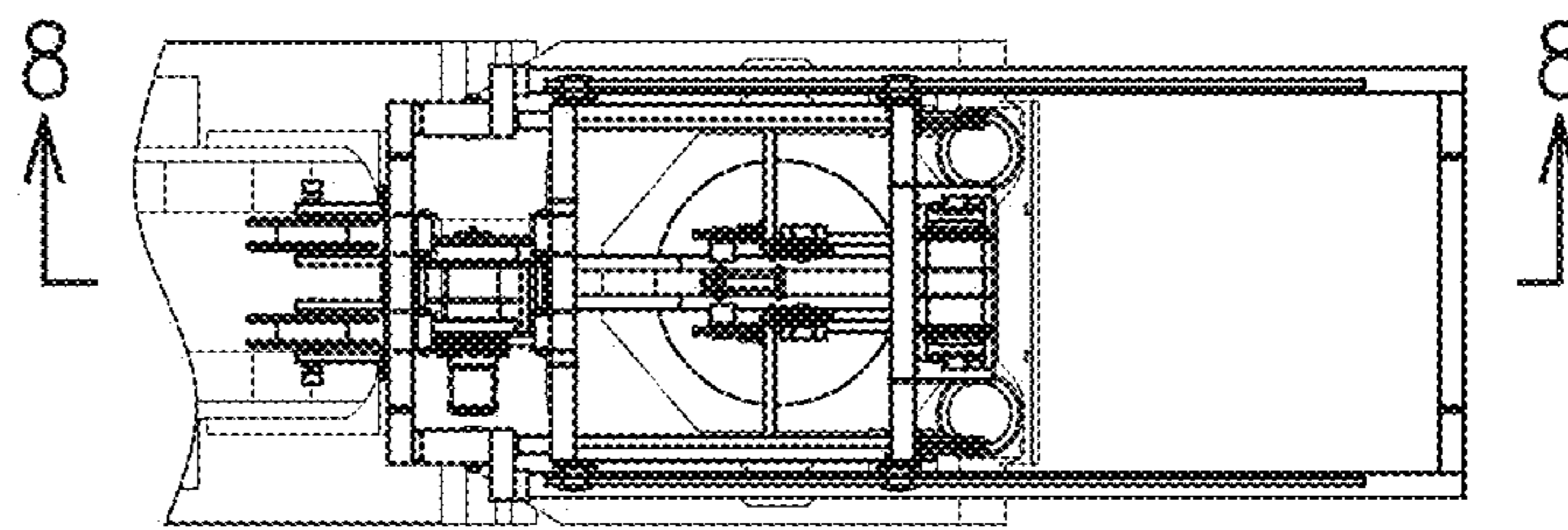


FIG. 8

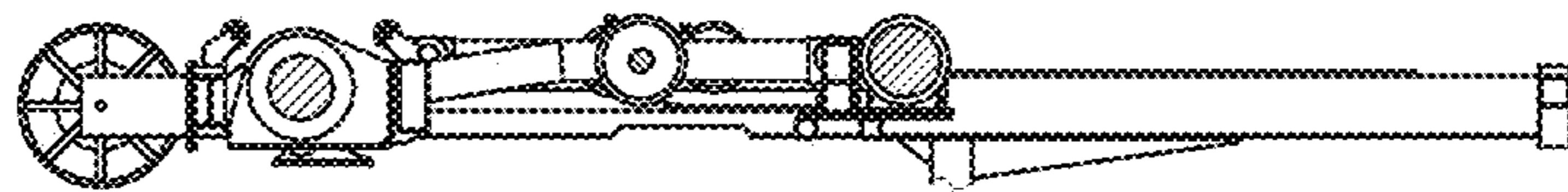


FIG. 9

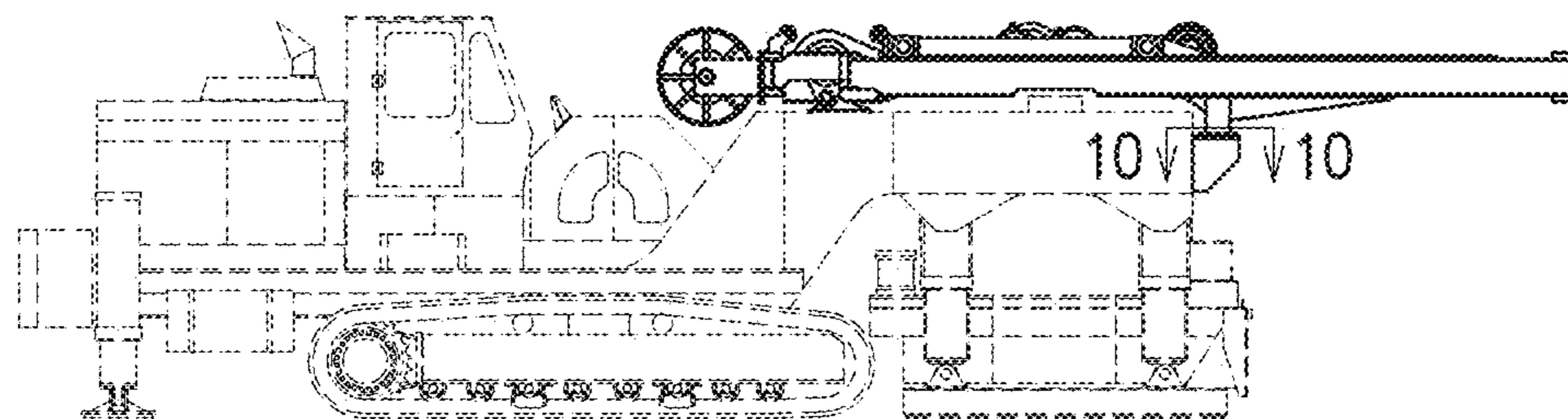


FIG. 10

