

US00D949926S

(12) **United States Design Patent**
Padgett

(10) **Patent No.:** **US D949,926 S**

(45) **Date of Patent:** **** Apr. 26, 2022**

(54) **PUMP**

(71) Applicant: **Michael Padgett**, Miami, FL (US)

(72) Inventor: **Michael Padgett**, Miami, FL (US)

(**) Term: **15 Years**

(21) Appl. No.: **29/724,284**

(22) Filed: **Feb. 13, 2020**

(51) **LOC (13) Cl.** **15-02**

(52) **U.S. Cl.**
USPC **D15/7**

(58) **Field of Classification Search**
USPC D23/206, 213, 214, 225, 231, 232, 387,
D23/421; D15/7-9.1, 21, 199
CPC F04D 15/0088; F04D 15/0066; F04D
15/0245; F04D 3/00; F04D 3/005; F04D
3/02; F04D 13/06; F04D 29/041; F04D
29/22; F04D 29/60; F04D 29/605; F04B
2203/0208; F04B 17/03; F04B 17/046;
F04B 17/048; F04B 35/04; F04B 43/04;
F04B 43/043

See application file for complete search history.

(56) **References Cited**

U.S. PATENT DOCUMENTS

D252,685	S	*	8/1979	Johnston	D15/7
5,538,406	A		7/1996	Siegal et al.		
D404,400	S	*	1/1999	Wang	D15/7
6,038,993	A		3/2000	Vento		
6,276,908	B1		8/2001	Batchelder et al.		
6,699,087	B1		3/2004	Tafoya et al.		

2006/0070581	A1	4/2006	Kohlmoos		
2016/0108903	A1*	4/2016	Cai	F04B 43/0054 417/273
2018/0010609	A1*	1/2018	Jensen	F04D 13/0606
2018/0045208	A1*	2/2018	Bedin	F04D 29/041

OTHER PUBLICATIONS

Hooker Electric, 39' Contender w/Hooker Electric Pumps, <https://www.youtube.com/watch?v=Nvf8R8D-Nilo>, Jan. 14, 2019.

Dave Lear, Keep Your Bait Healthy with a Sea Chest—Online Article—SaltwaterSportsman.com, Jun. 1, 2015.

* cited by examiner

Primary Examiner — Calvin E Vansant
Assistant Examiner — Mark T. Philipps
(74) *Attorney, Agent, or Firm* — Malloy & Malloy, P.L.

(57) **CLAIM**

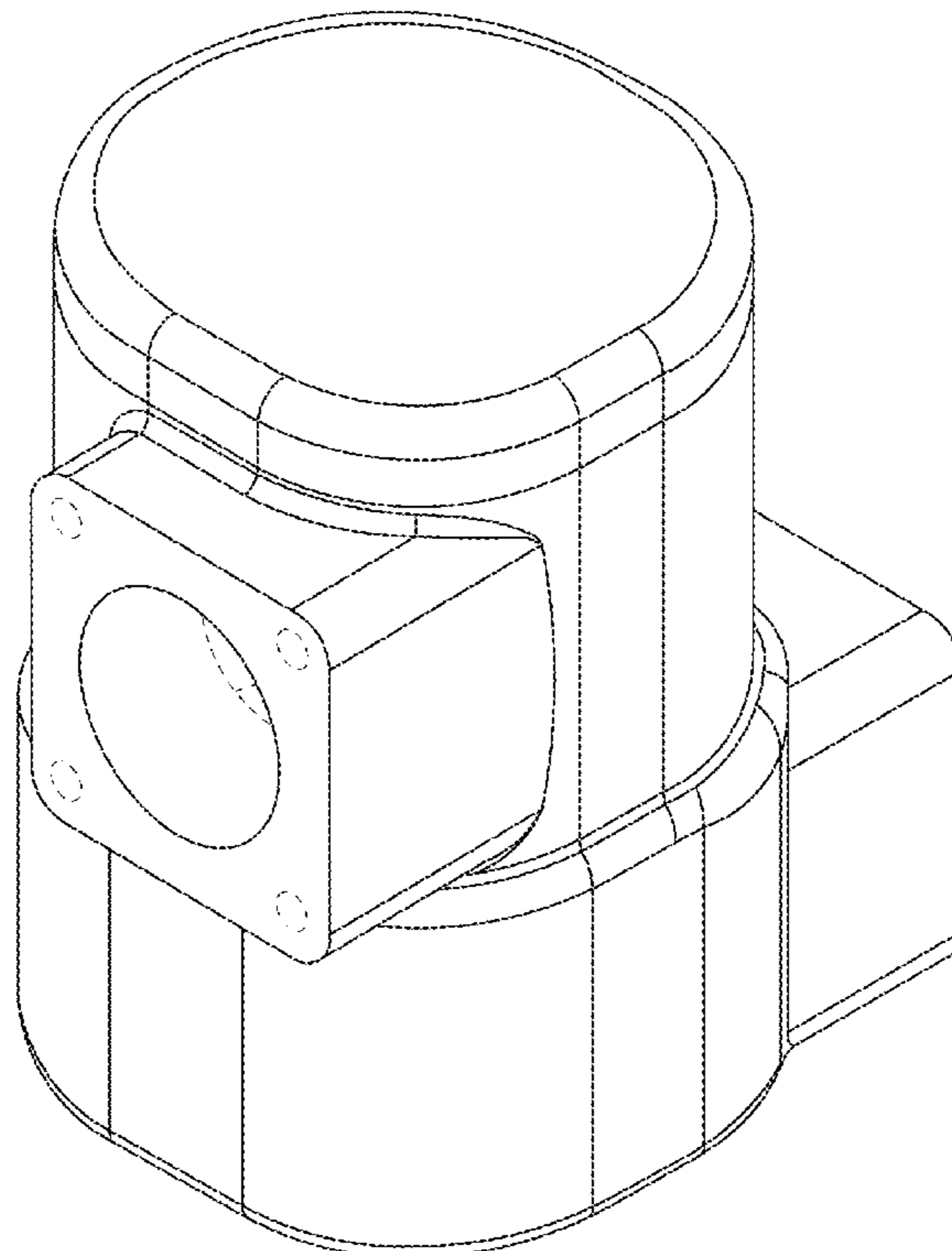
The ornamental design for a pump, as shown and described.

DESCRIPTION

FIG. 1 is a Front Perspective view illustrating my design for a pump;
FIG. 2 is a Front Elevation view thereof;
FIG. 3 is a Rear Elevation view thereof;
FIG. 4 is a Right Side Elevation view thereof;
FIG. 5 is a Left Side Elevation view thereof;
FIG. 6 is a Bottom Plan view thereof; and,
FIG. 7 is a Top Plan view thereof.

The broken lines appearing in FIGS. 1-3 and 7 depict portions of the pump that form no part of the claimed design.

1 Claim, 7 Drawing Sheets



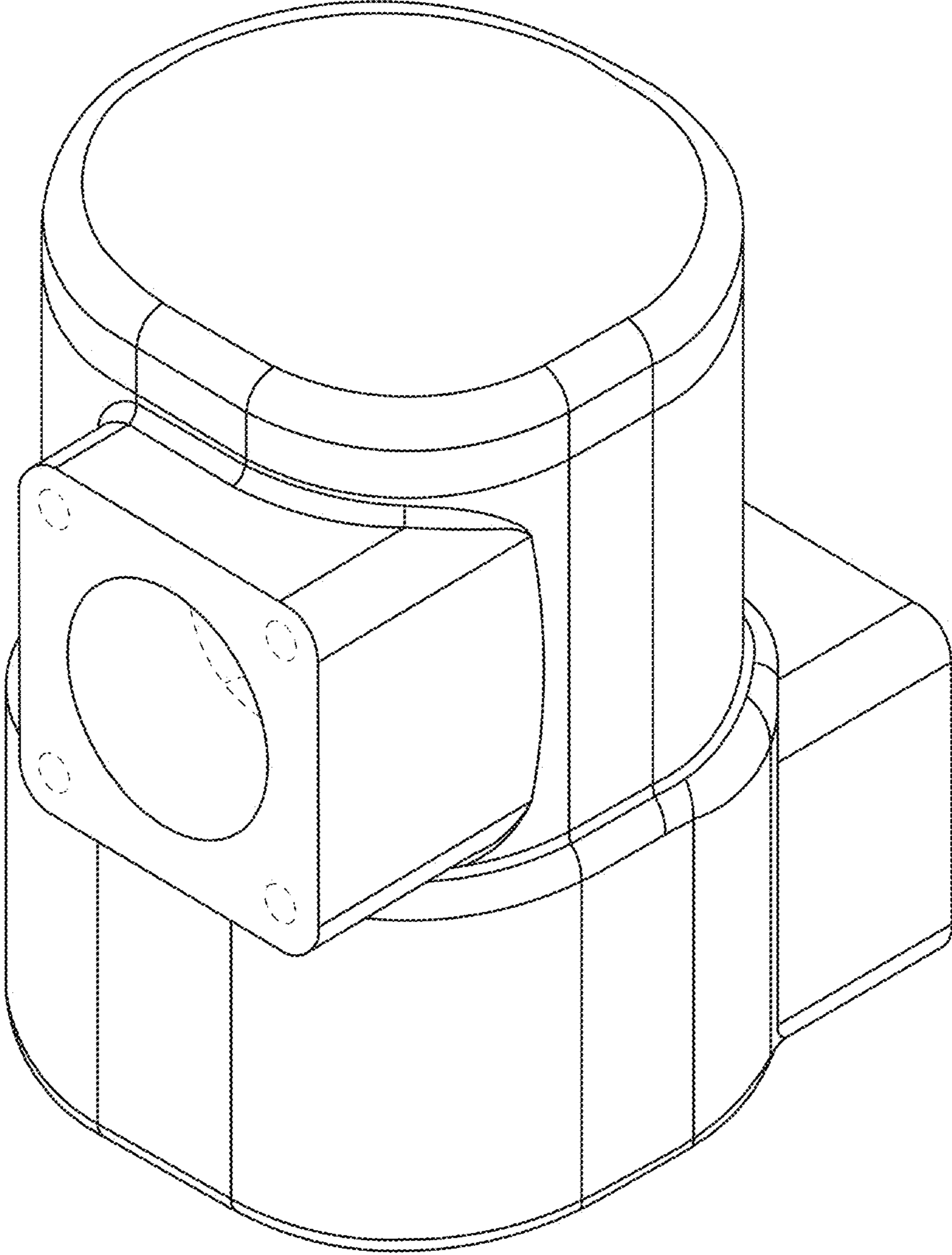


FIGURE 1

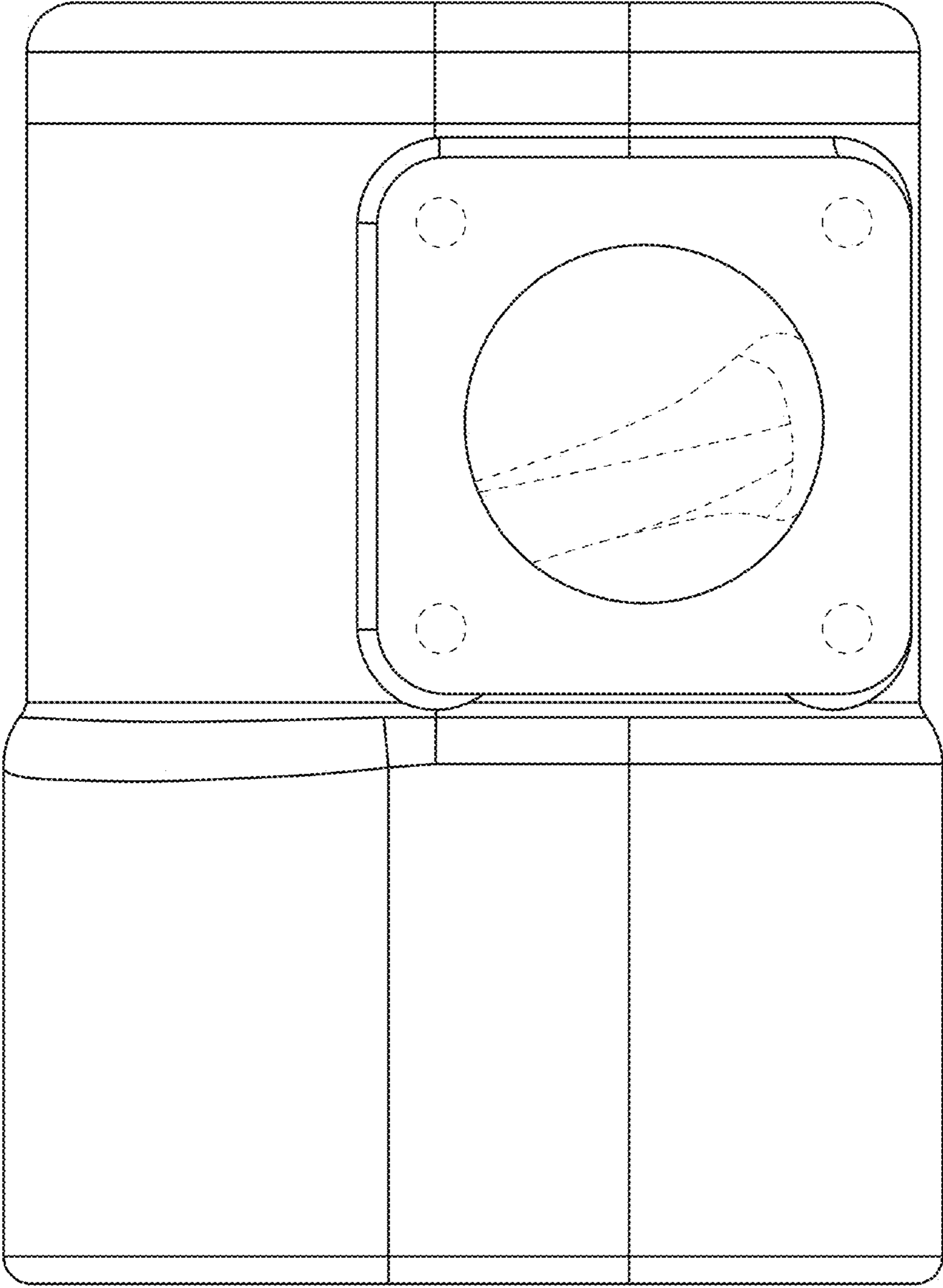


FIGURE 2

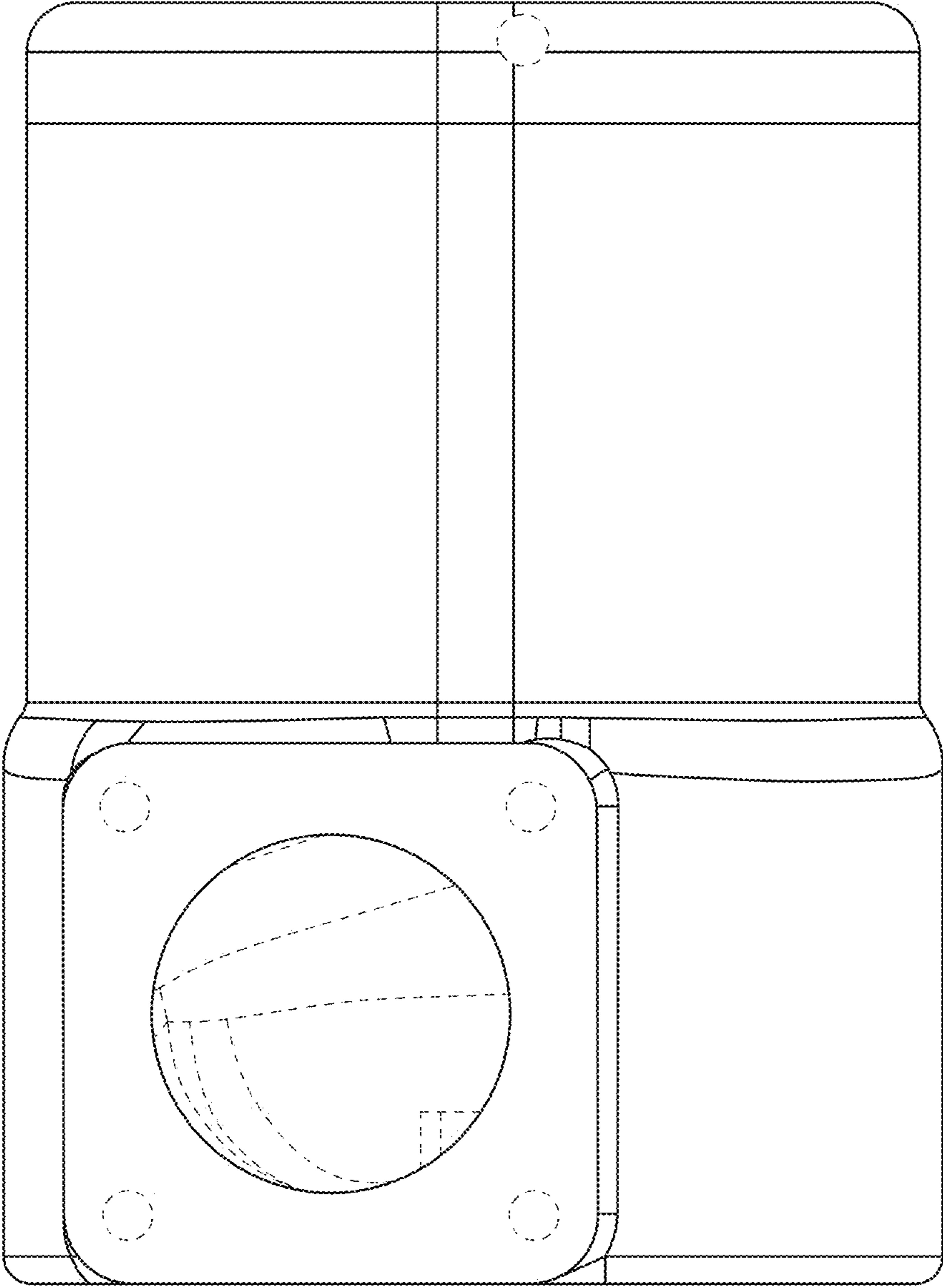


FIGURE 3

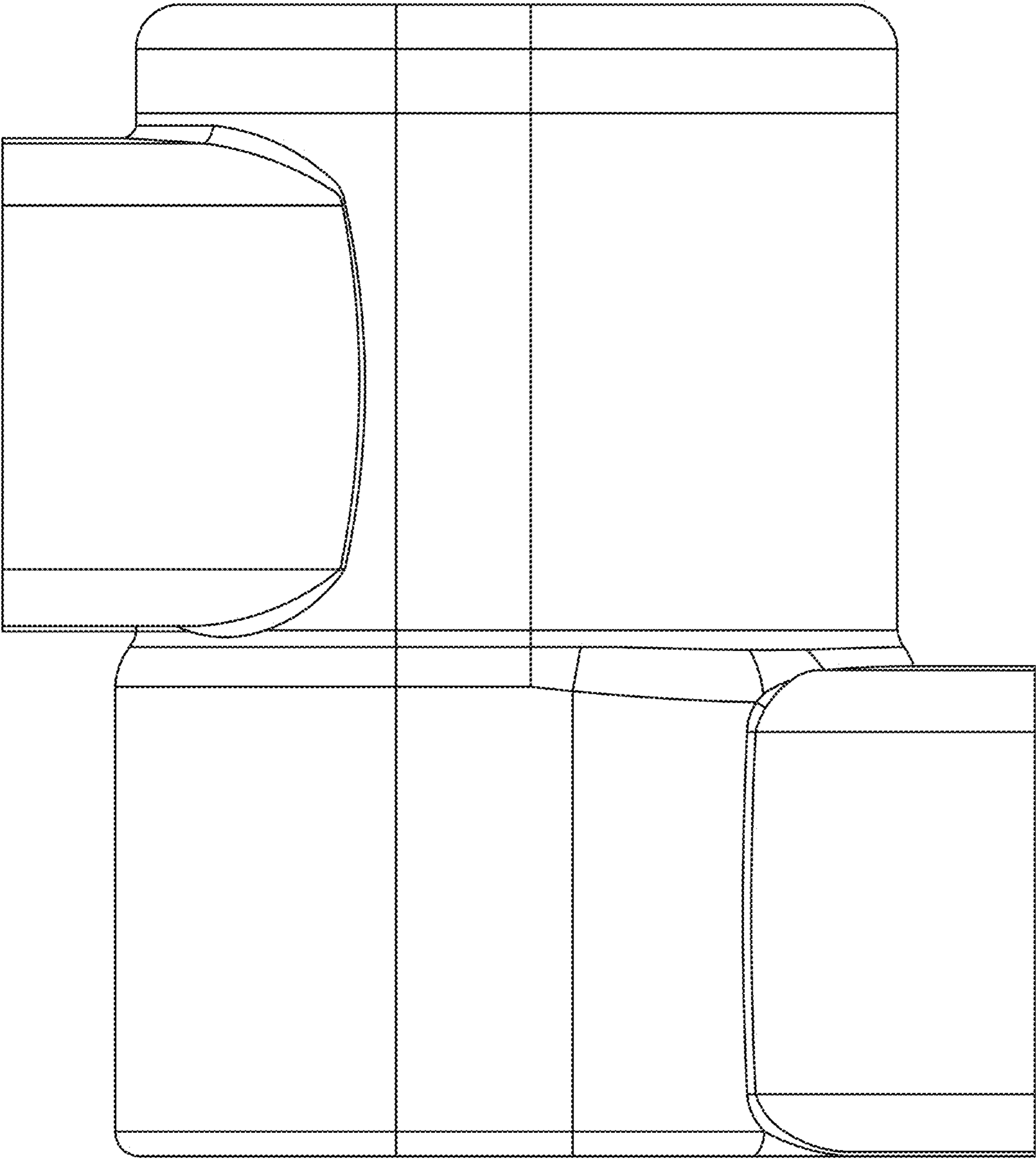


FIGURE 4

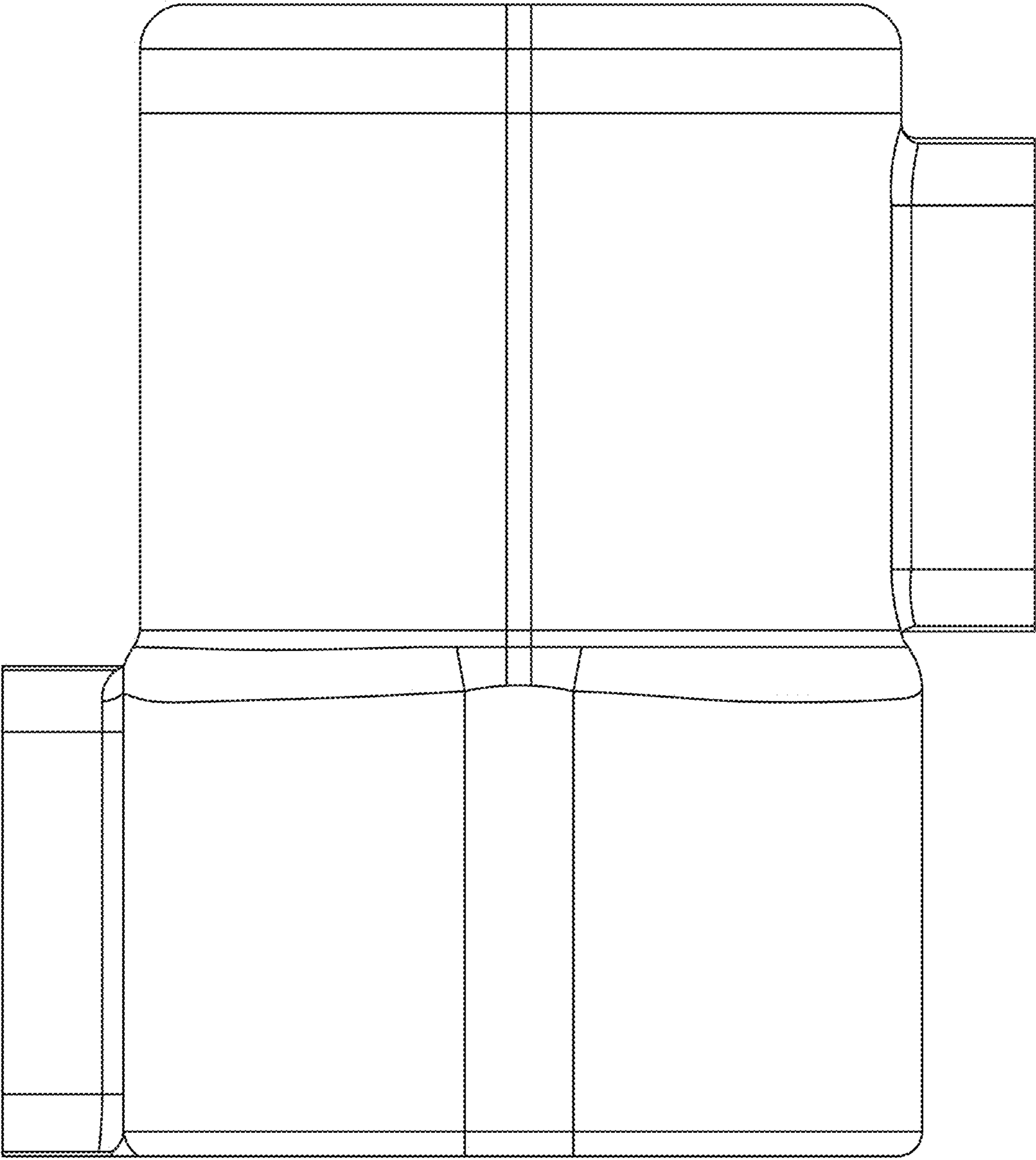


FIGURE 5

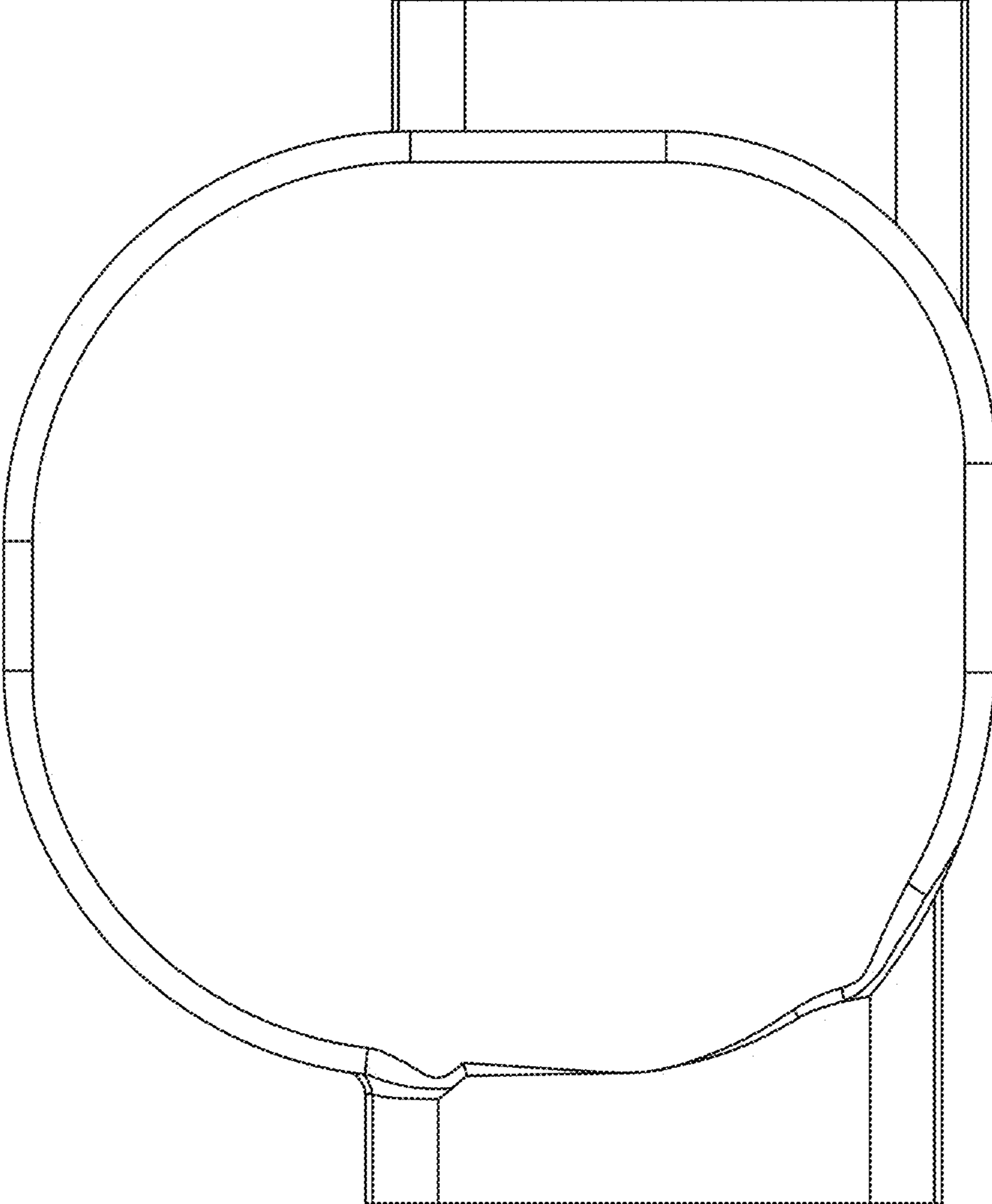


FIGURE 6

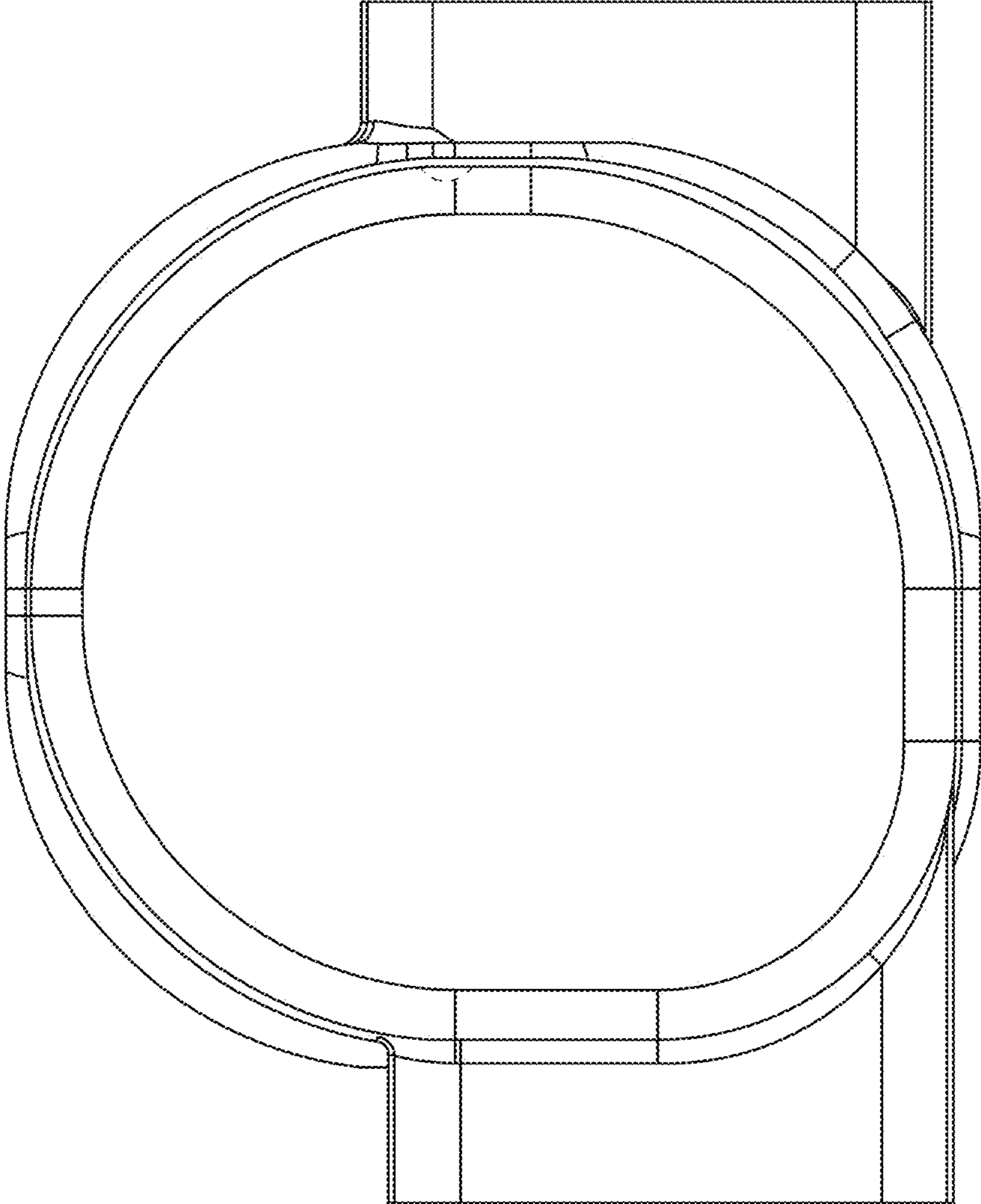


FIGURE 7