



US00D949925S

(12) **United States Design Patent** (10) **Patent No.:** **US D949,925 S**
Muckley et al. (45) **Date of Patent:** **** Apr. 26, 2022**

(54) **ROTOR AND UNIVERSAL JOINT ASSEMBLY**

(71) Applicant: **Graco Minnesota Inc.**, Minneapolis, MN (US)

(72) Inventors: **David M. Muckley**, Uniontown, OH (US); **Paul Michael Jones**, Uniontown, OH (US)

(73) Assignee: **Graco Minnesota Inc.**, Minneapolis, MN (US)

(**) Term: **15 Years**

(21) Appl. No.: **29/713,094**

(22) Filed: **Nov. 13, 2019**

(51) **LOC (13) Cl.** **15-02**

(52) **U.S. Cl.**
USPC **D15/7**

(58) **Field of Classification Search**
USPC D15/9, 5, 7, 199, 9.1
CPC F04C 15/0076; F04C 2/1073; F04C 15/0023; F16D 1/108
See application file for complete search history.

(56) **References Cited**

U.S. PATENT DOCUMENTS

5,967,426 A * 10/1999 McLeod B05B 9/007
239/146
7,507,076 B2 * 3/2009 McLeod B05B 7/2464
417/360
8,613,608 B2 * 12/2013 Ree F04C 2/1071
418/161
2001/0005486 A1 * 6/2001 Wood E21B 43/129
418/48
2002/0192093 A1 * 12/2002 Gantenhammer F04C 2/1073
418/48
2011/0186566 A1 * 8/2011 Coulas F04B 53/00
219/635
2014/0041943 A1 * 2/2014 Lanning E21B 21/103
175/57

2015/0064037 A1 * 3/2015 Kourakos F04C 2/1071
418/48
2016/0138346 A1 * 5/2016 Lessmann E21B 23/01
166/339
2017/0246602 A1 * 8/2017 Dean B01F 15/00922
2021/0148358 A1 * 5/2021 Muckley F04C 15/0076
2021/0154887 A1 * 5/2021 Mercado Alvarado ... B29B 7/94
(Continued)

FOREIGN PATENT DOCUMENTS

GB 2245685 A * 1/1992 E21B 4/02

OTHER PUBLICATIONS

First Japanese Office Action for JP Application No. 2020-008972, Dated Dec. 16, 2020, p. 4.

Primary Examiner — Ania Aman

(74) *Attorney, Agent, or Firm* — Kinney & Lange, P.A.

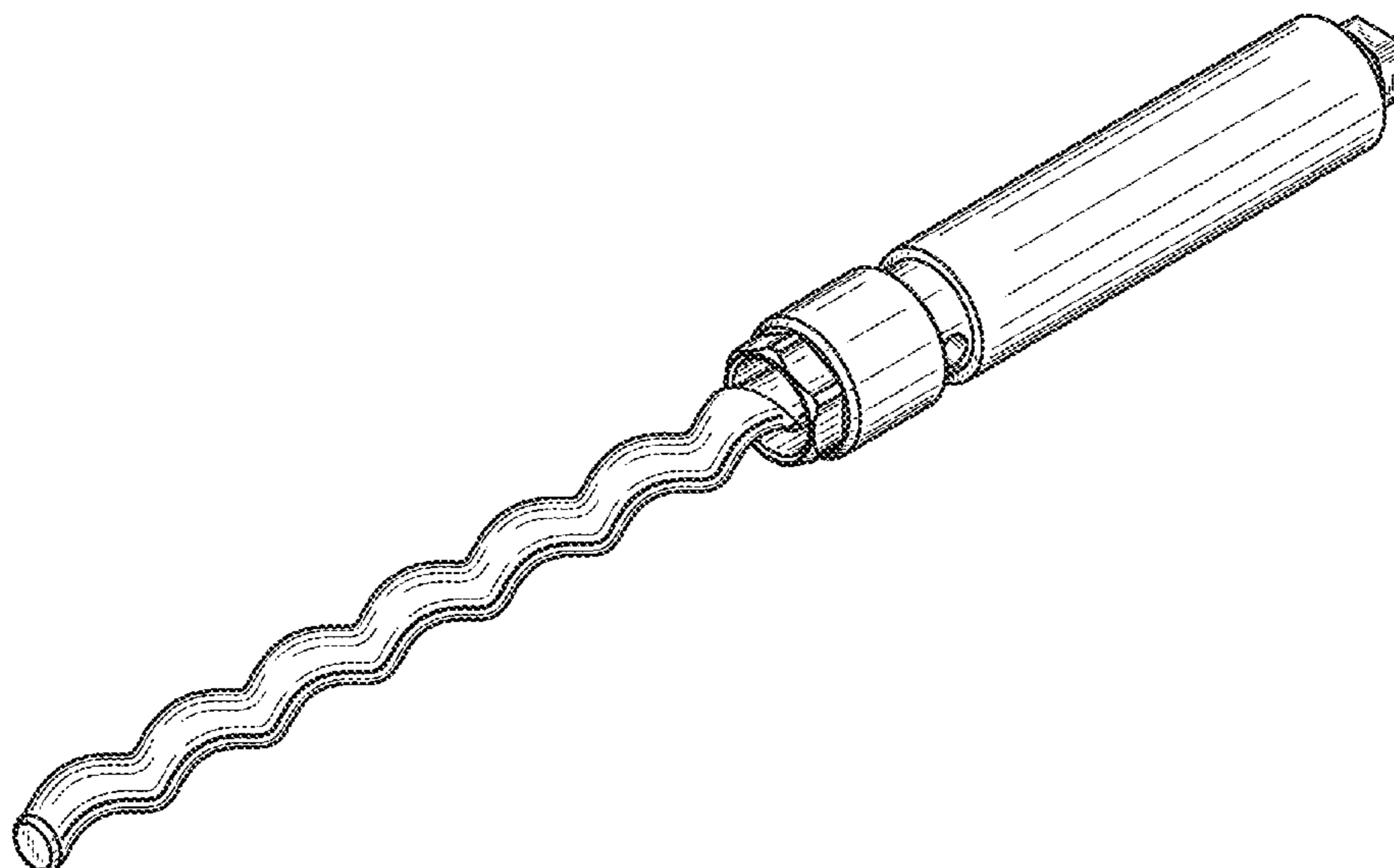
(57) **CLAIM**

The ornamental design for a rotor and universal joint assembly, as shown and described.

DESCRIPTION

FIG. 1 is a perspective view of a rotor and universal joint assembly;
 FIG. 2 is a front elevational view of the rotor and universal joint assembly;
 FIG. 3 is a rear elevational view of the rotor and universal joint assembly;
 FIG. 4 is a right side view of the rotor and universal joint assembly;
 FIG. 5 is a left side view of the rotor and universal joint assembly;
 FIG. 6 is a top plan view of the rotor and universal joint assembly; and,
 FIG. 7 is a bottom plan view of the rotor and universal joint assembly.

1 Claim, 2 Drawing Sheets



(56)

References Cited

U.S. PATENT DOCUMENTS

2021/0285440 A1* 9/2021 Montie F04C 2/1073
2021/0348608 A1* 11/2021 McMichael F04C 2/1073

* cited by examiner

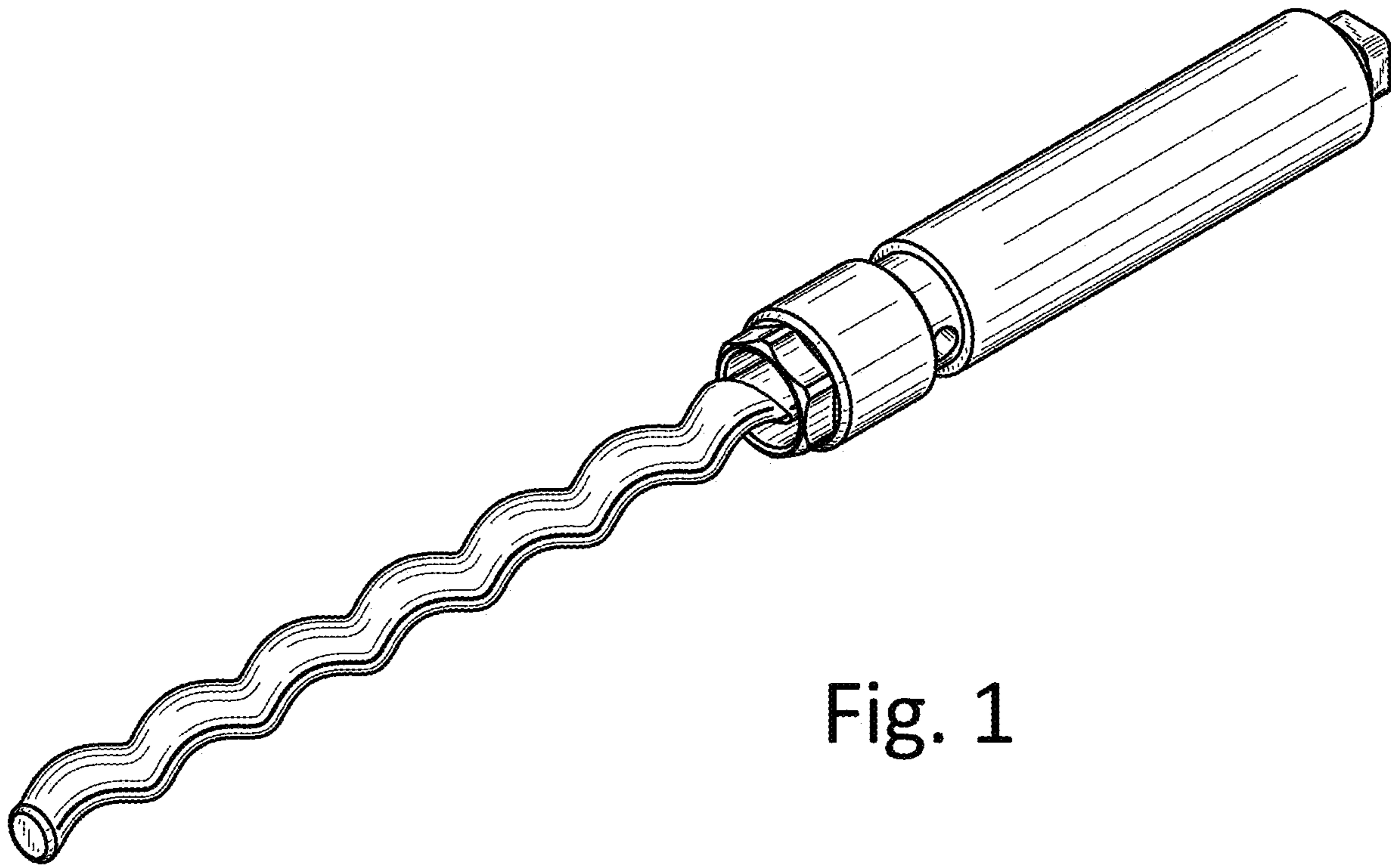


Fig. 1

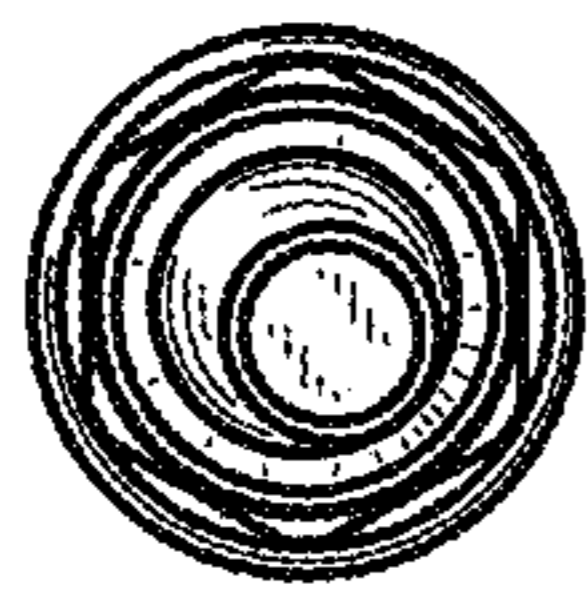


Fig. 2

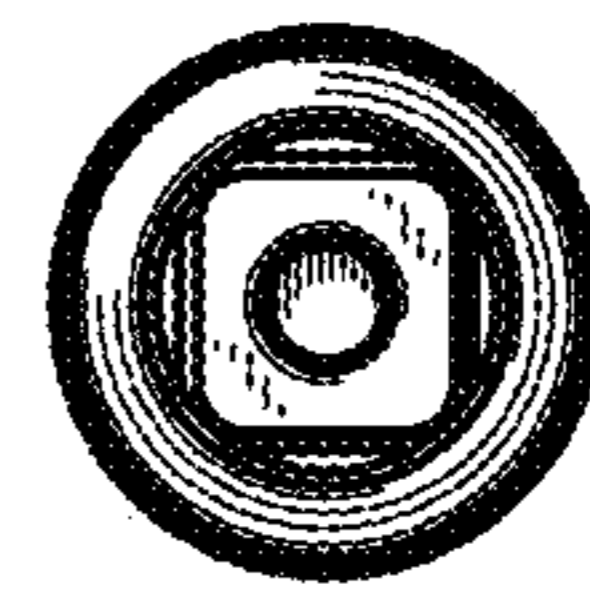


Fig. 3

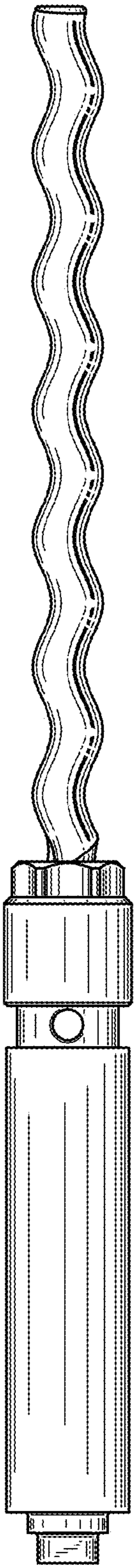


Fig. 4

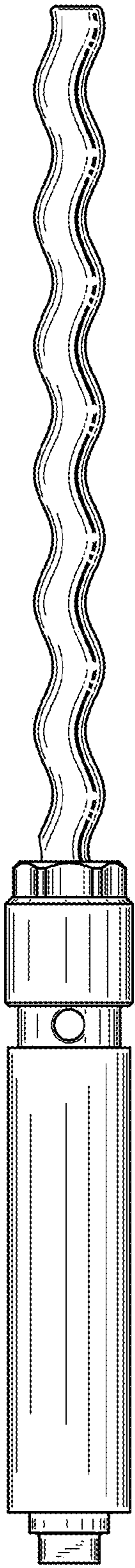


Fig. 5

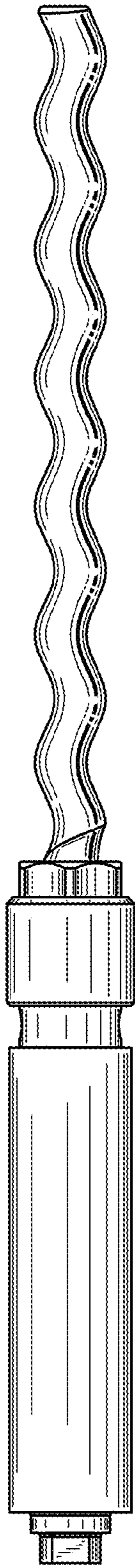


Fig. 6

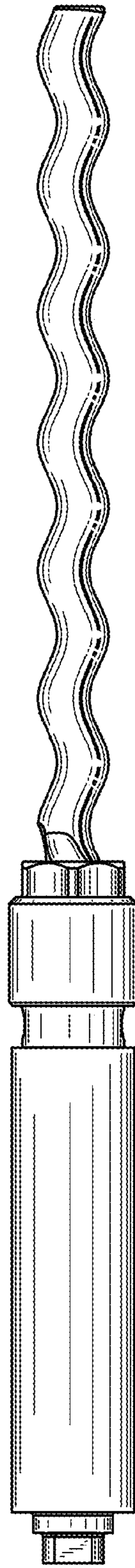


Fig. 7