



US00D949924S

(12) **United States Design Patent**
Wikström

(10) **Patent No.:** **US D949,924 S**

(45) **Date of Patent:** **** Apr. 26, 2022**

(54) **PUMP**

(71) Applicant: **Xylem Europe GmbH**, Schaffhausen
(CH)

(72) Inventor: **Jan Wikström**, Sundbyberg (SE)

(73) Assignee: **XYLEM EUROPE GMBH**,
Schaffhausen (CH)

(**) Term: **15 Years**

(21) Appl. No.: **29/709,448**

(22) Filed: **Oct. 15, 2019**

(30) **Foreign Application Priority Data**

Apr. 17, 2019 (EM) 006380333

(51) **LOC (13) Cl.** **15-02**

(52) **U.S. Cl.**
USPC **D15/7**

(58) **Field of Classification Search**
USPC D15/7, 8, 5
CPC F04B 47/00; F04B 53/16; F04B 15/02
See application file for complete search history.

(56) **References Cited**

U.S. PATENT DOCUMENTS

3,969,043 A * 7/1976 Bright F04D 13/06
417/366

D517,091 S * 3/2006 Sugiyama D15/7
D870,154 S * 12/2019 Huang D15/7
2020/0072246 A1 * 3/2020 Loerner F04B 53/16
2021/0131408 A1 * 5/2021 Horlen F04B 53/20

* cited by examiner

Primary Examiner — Ania Aman

(74) *Attorney, Agent, or Firm* — Fox Rothschild LLP

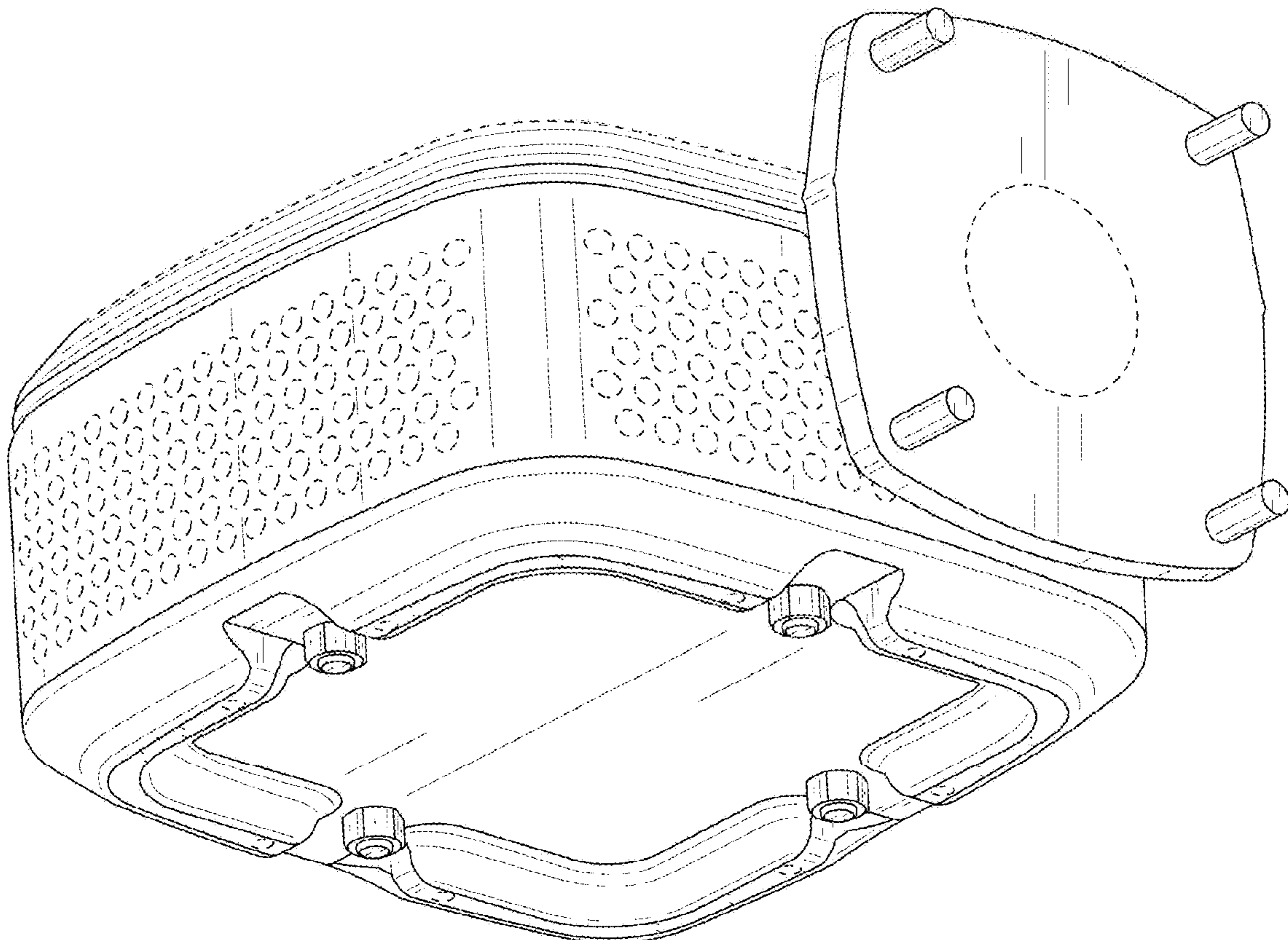
(57) **CLAIM**

The ornamental design for a pump, as shown and described.

DESCRIPTION

FIG. 1 is a bottom, left side, front perspective view of a pump according to the present disclosure; FIG. 2 is a front view of the pump of FIG. 1; FIG. 3 is a back view of the pump of FIG. 1; FIG. 4 is a right side view of the pump of FIG. 1; FIG. 5 is a left side view of the pump FIG. 1; and, FIG. 6 is a top view of the pump of FIG. 1. The broken lines shown in the drawings are for the purpose of illustrating environmental structure and form no part of the claimed design.

1 Claim, 6 Drawing Sheets



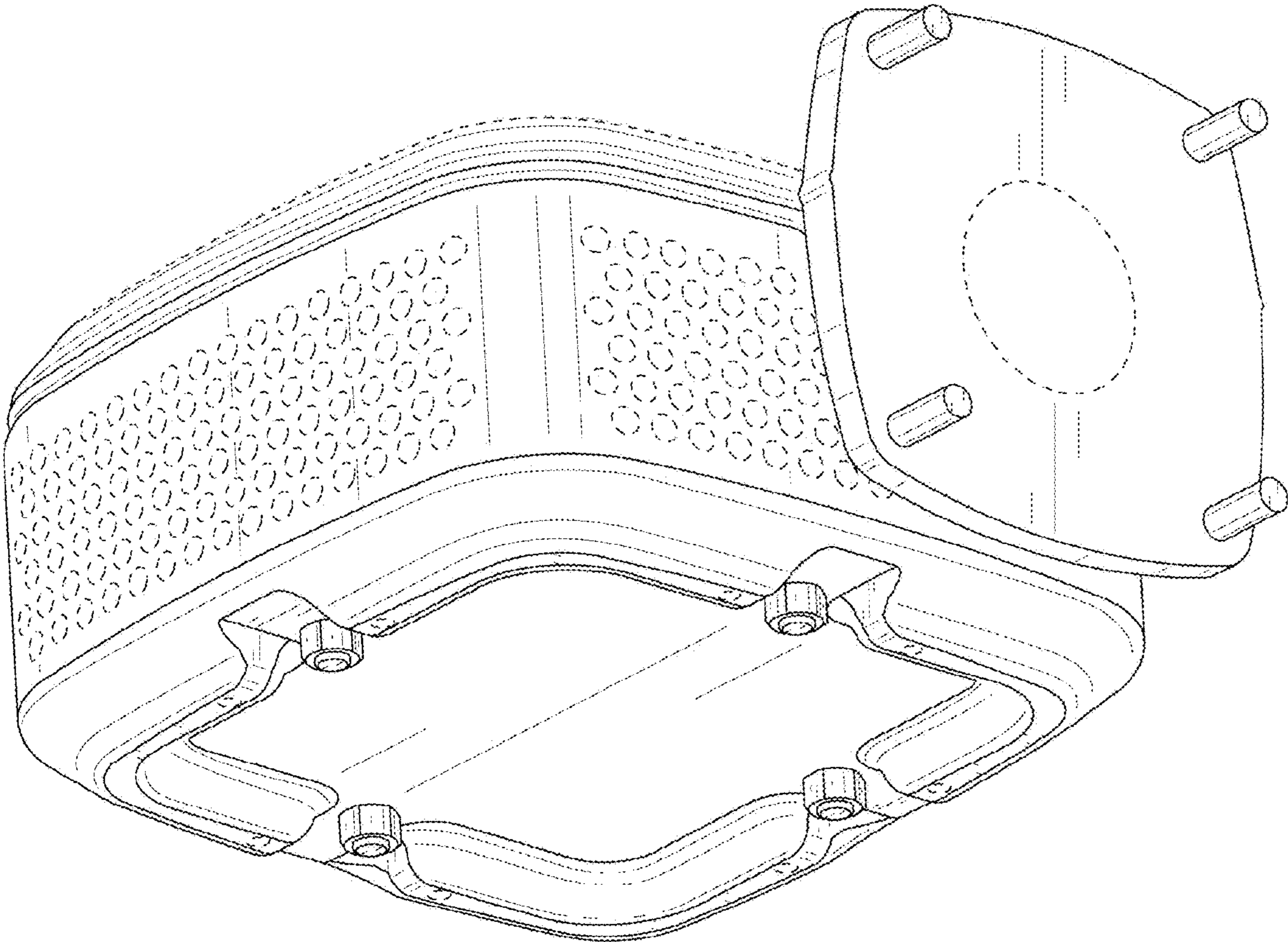


FIG. 1

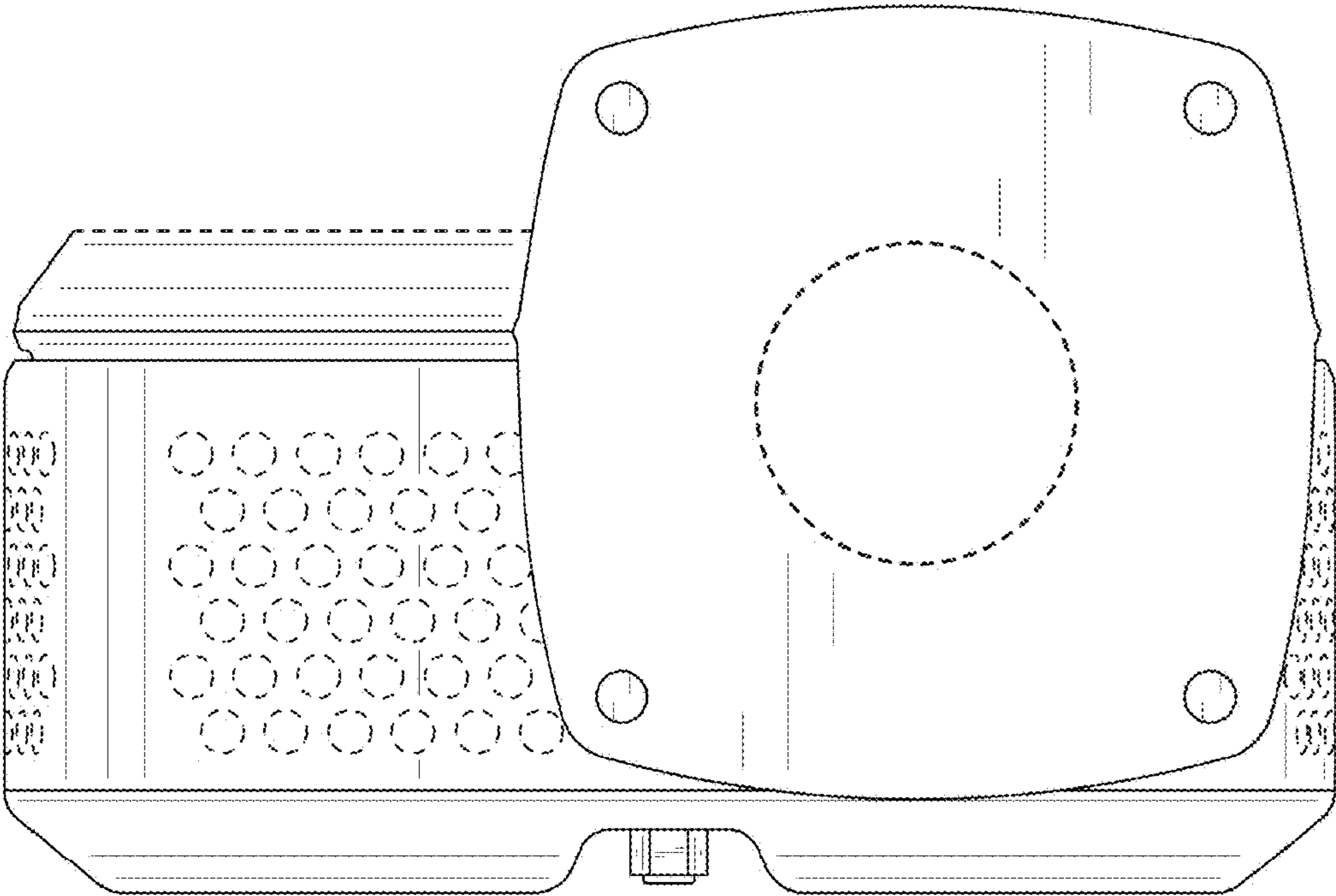


FIG. 2

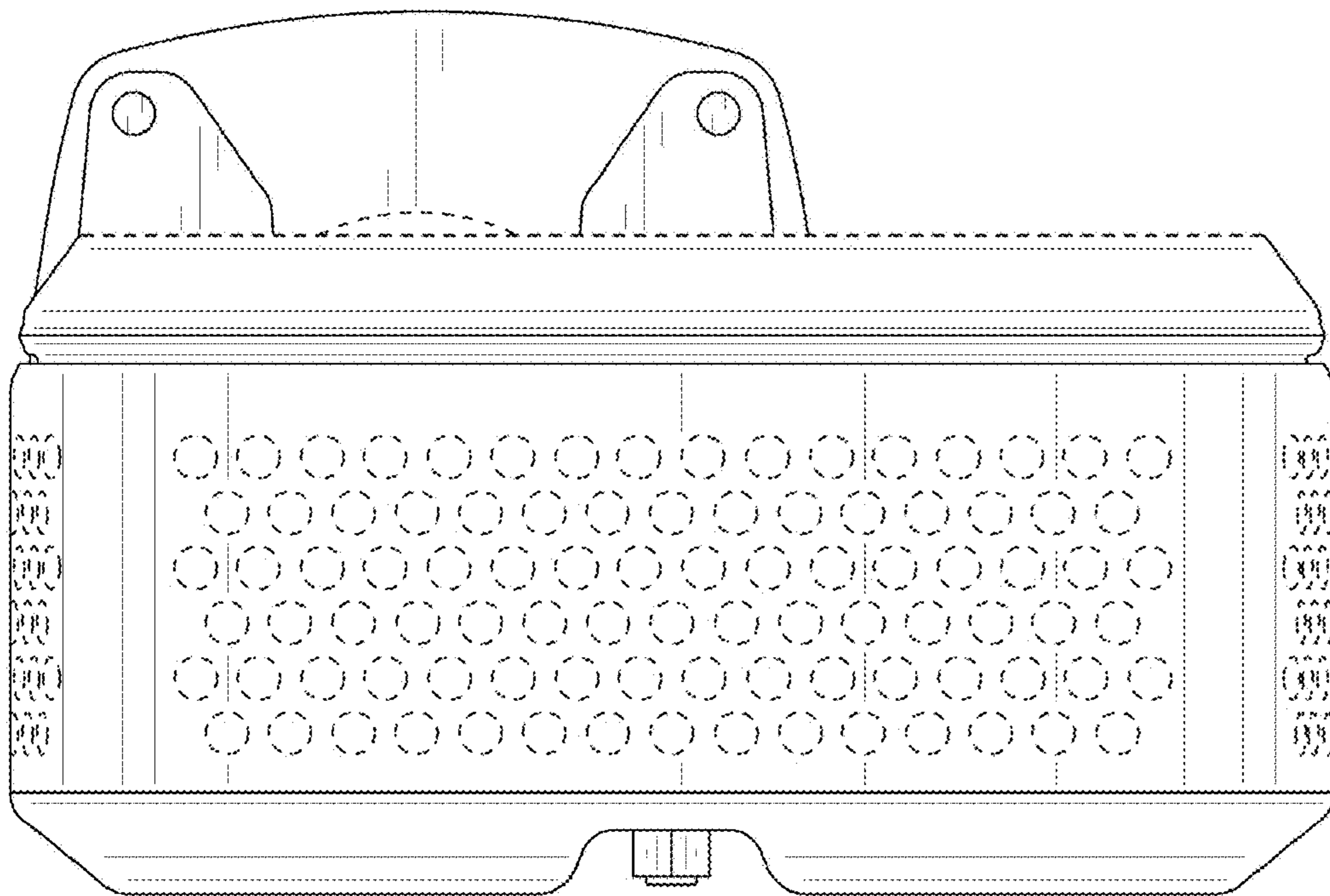


FIG. 3

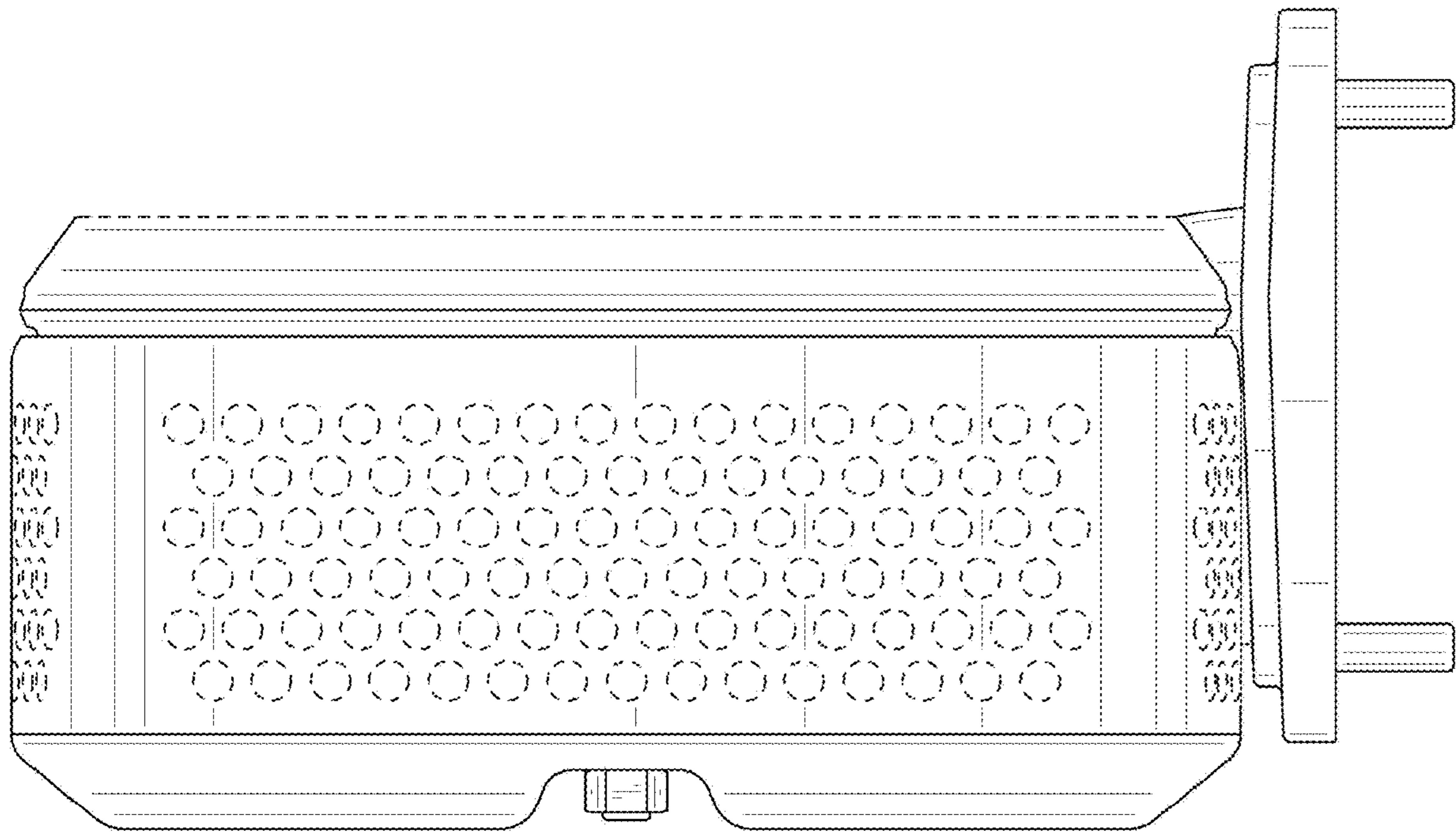


FIG. 4

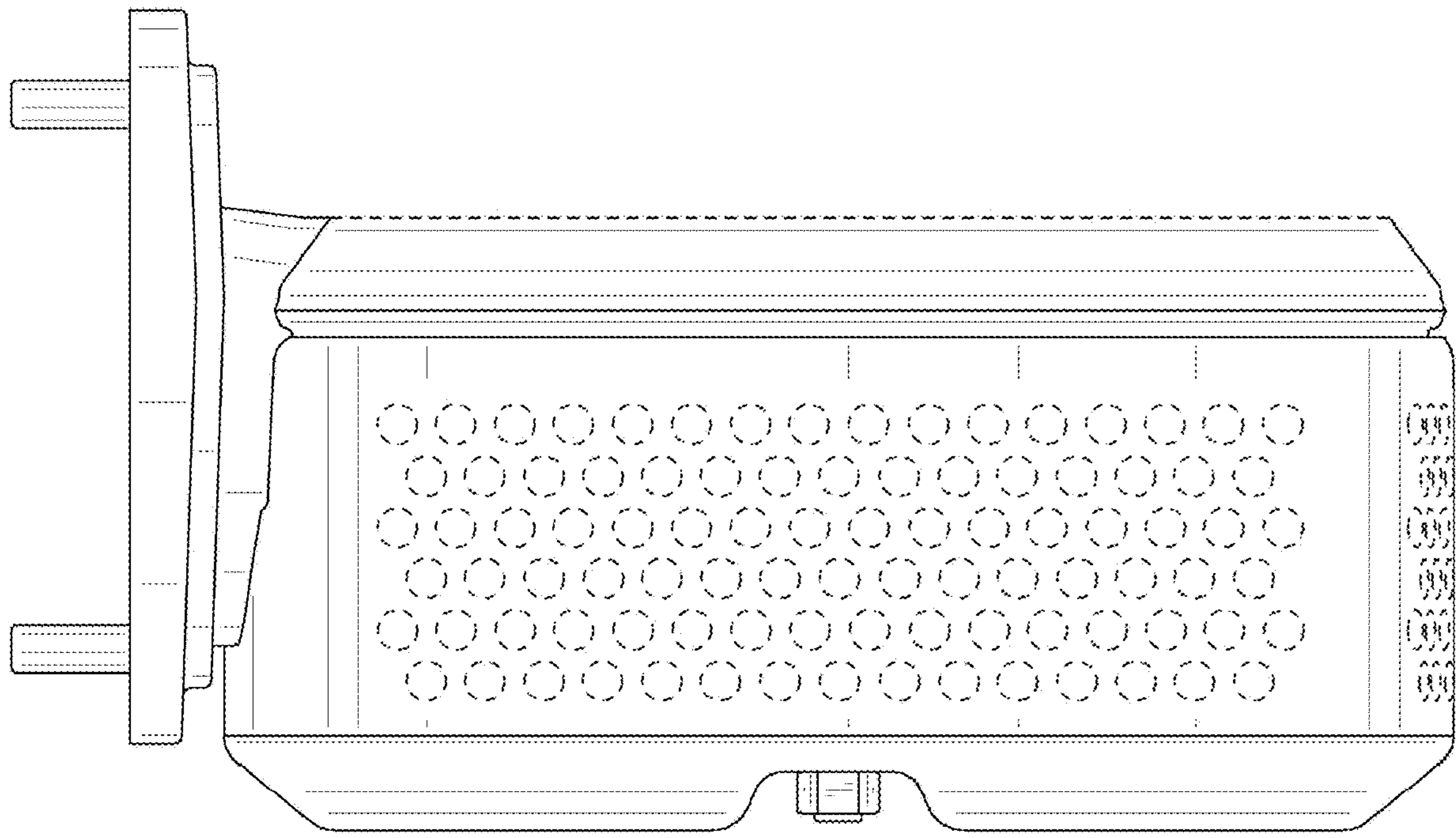


FIG. 5

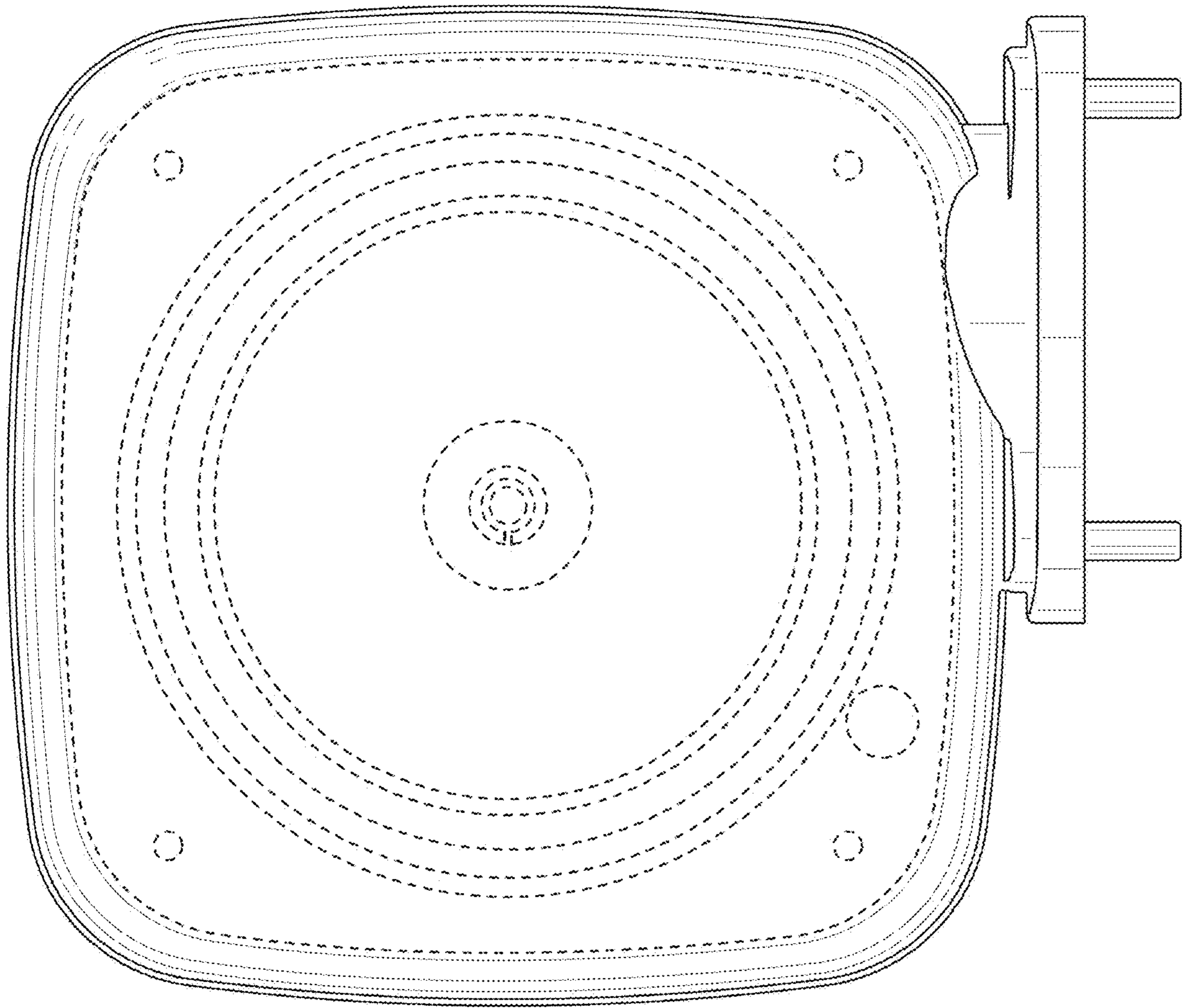


FIG. 6