



US00D949923S

(12) **United States Design Patent** (10) **Patent No.:** **US D949,923 S**
Yacoub et al. (45) **Date of Patent:** **** *Apr. 26, 2022**

(54) **INJECTOR**

D262,969 S 2/1982 Howes
D263,711 S 4/1982 Dean
4,420,973 A 12/1983 Garcia
(Continued)

(71) Applicant: **CATERPILLAR INC.**, Peoria, IL (US)

(72) Inventors: **Victor Iskander Yacoub**, Washington, IL (US); **Cory A. Brown**, Peoria, IL (US); **Satya Naga Deepak Pillarisetti**, Pontiac, IL (US); **Kevin J. Schreder**, East Peoria, IL (US); **Hoisan Kim**, Dunlap, IL (US); **Jianhua Zhang**, Dunlap, IL (US)

FOREIGN PATENT DOCUMENTS

CN 206092256 U 4/2017
JP S59-119059 A 7/1984
JP H02-140455 A 5/1990

(73) Assignee: **Caterpillar Inc.**, Peoria, IL (US)

Design U.S. Appl. No. 29/722,349 of Victor Iskander Yacoub et al., entitled "Injector," filed Jan. 29, 2020.

(*) Notice: This patent is subject to a terminal disclaimer.

(Continued)

(**) Term: **15 Years**

Primary Examiner — Ania Aman

(21) Appl. No.: **29/788,888**

(74) *Attorney, Agent, or Firm* — Finnegan, Henderson, Farabow, Garrett & Dunner LLP.

(22) Filed: **Aug. 10, 2021**

(57) **CLAIM**

The ornamental design for an injector, as shown and described.

Related U.S. Application Data

DESCRIPTION

(63) Continuation of application No. 29/722,356, filed on Jan. 29, 2020.

(51) **LOC (13) Cl.** **15-01**

(52) **U.S. Cl.**
USPC **D15/5**

(58) **Field of Classification Search**
USPC D15/4, 5, 6
CPC .. F02M 61/165; F02M 61/1833; F02M 61/18;
F02M 61/00; F02F 1/242
See application file for complete search history.

FIG. 1 is a front, top, left perspective view of an injector showing the new design;
FIG. 2 is a rear, bottom, right perspective view thereof;
FIG. 3 is front elevation view thereof;
FIG. 4 is a rear elevation view thereof;
FIG. 5 is a right-side elevation view thereof;
FIG. 6 is a left-side elevation view thereof;
FIG. 7 is a top plan view thereof;
FIG. 8 is a bottom plan view thereof;
FIG. 9 is an enlarged partial front elevation view as indicated in FIG. 3; and,
FIG. 10 is an enlarged partial front elevation view as indicated in FIG. 3.

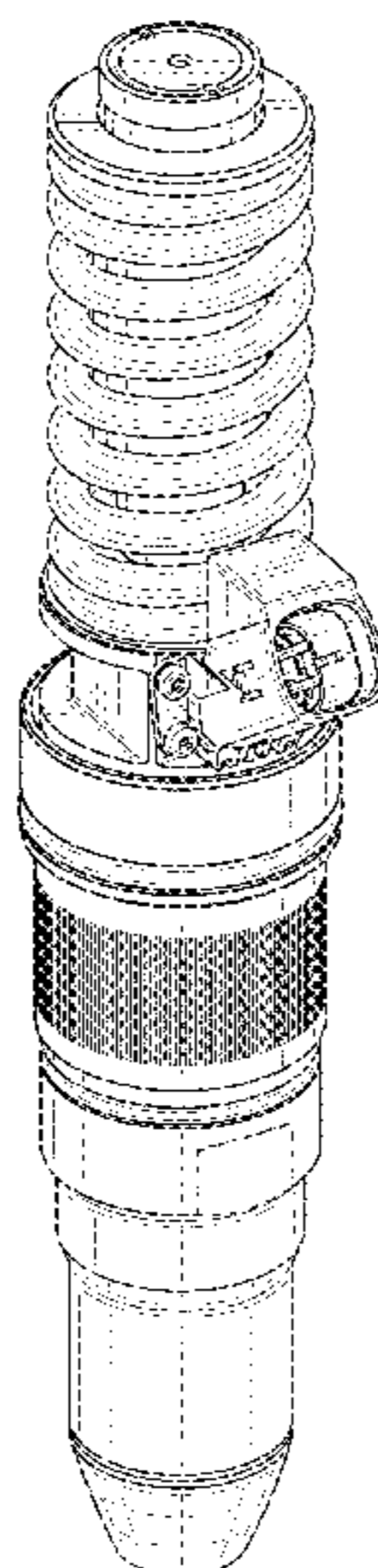
(56) **References Cited**

U.S. PATENT DOCUMENTS

2,621,077 A * 12/1952 Pieroni F23D 11/38
239/533.2
3,387,790 A * 6/1968 De Luca F02M 61/10
239/453

The broken lines of even length shown in the drawings illustrate portions of the injector that form no part of the claimed design.

1 Claim, 9 Drawing Sheets



(56)

References Cited

U.S. PATENT DOCUMENTS

4,548,356 A 10/1985 Hofmann et al.
 4,550,875 A 11/1985 Teerman et al.
 5,407,131 A * 4/1995 Maley F02M 59/366
 239/90
 5,467,924 A 11/1995 Buescher et al.
 5,628,293 A * 5/1997 Gibson F02M 63/0015
 123/446
 5,651,501 A * 7/1997 Maley F02M 59/466
 239/124
 5,807,483 A 9/1998 Cassidy et al.
 5,927,614 A 7/1999 Touvelle et al.
 5,934,559 A 8/1999 Coldren et al.
 D495,341 S * 8/2004 O'Brien D15/5
 7,448,362 B2 11/2008 Seelbach
 8,333,336 B2 12/2012 Lewis et al.
 10,371,110 B2 8/2019 Brown et al.
 2003/0116140 A1 6/2003 Forck et al.
 2003/0127532 A1 7/2003 Coldren et al.
 2004/0056114 A1 3/2004 Peterson, Jr.
 2008/0217421 A1 9/2008 Lewis et al.
 2010/0170476 A1 7/2010 Ganser et al.
 2015/0047611 A1 2/2015 Yasukawa et al.

2016/0115924 A1 4/2016 Meek et al.
 2017/0009724 A1 1/2017 Izzo et al.
 2017/0306913 A1 10/2017 Krejci
 2018/0023438 A1 1/2018 McFarland
 2018/0209390 A1 7/2018 Caceres
 2019/0039178 A1 2/2019 Shirai et al.
 2019/0040790 A1 2/2019 Kusakabe et al.
 2019/0063392 A1 2/2019 Ishii et al.
 2019/0072025 A1 3/2019 Rabhi
 2019/0162147 A1 5/2019 Caceres et al.
 2019/0195181 A1 6/2019 Brown et al.
 2019/0309719 A1 * 10/2019 Brown B01D 29/31
 2019/0360445 A1 * 11/2019 Sugii B05B 1/3053
 2020/0132030 A1 4/2020 Caceres et al.
 2020/0173408 A1 6/2020 Kim et al.
 2020/0240380 A1 7/2020 Itaya et al.

OTHER PUBLICATIONS

U.S. Design Patent Application of Victor Iskander Yacoub et al.,
 entitled "Injector," filed Aug. 12, 2021.
 Design U.S. Appl. No. 29/722,356 of Victor Iskander Yacoub et al.,
 entitled "Injector," filed Jan. 29, 2020.

* cited by examiner

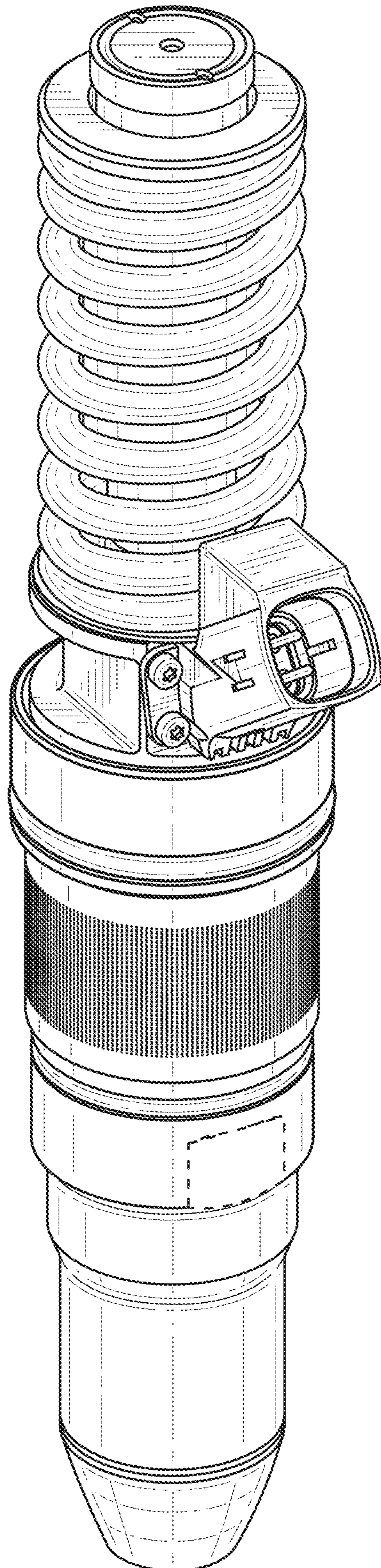


FIG. 1

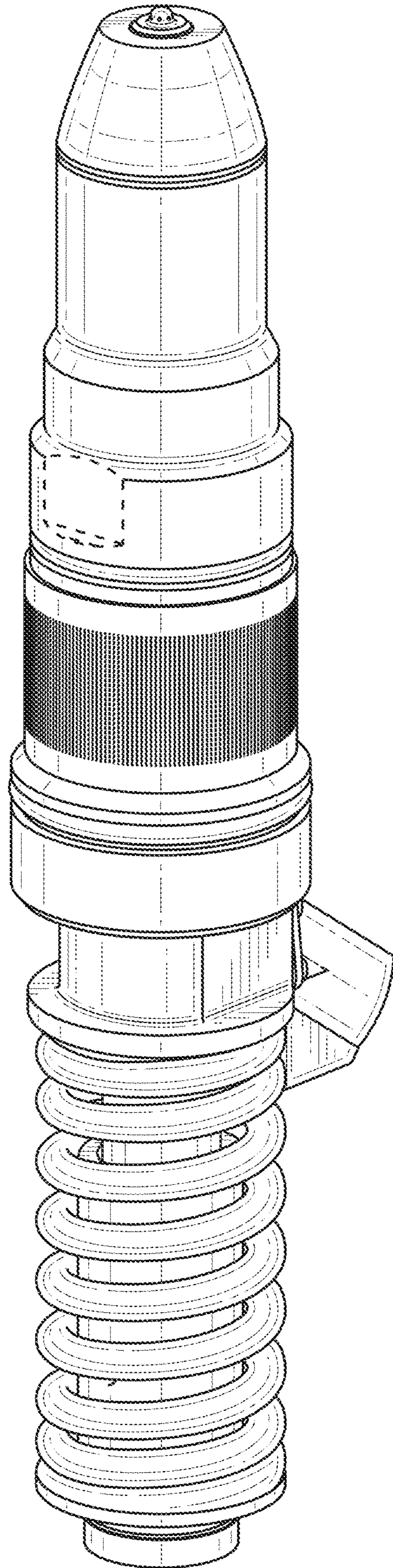
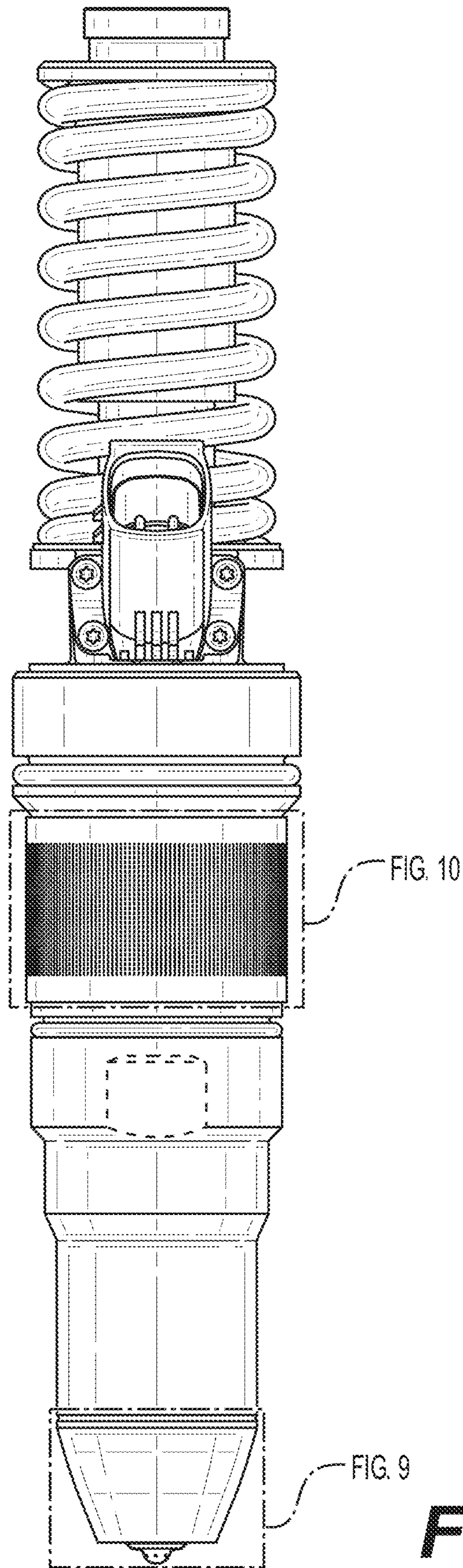


FIG. 2



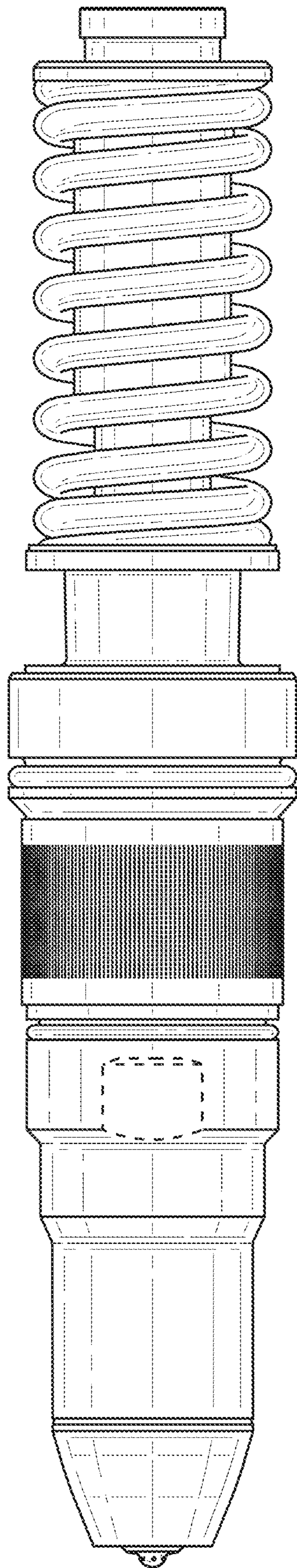


FIG. 4

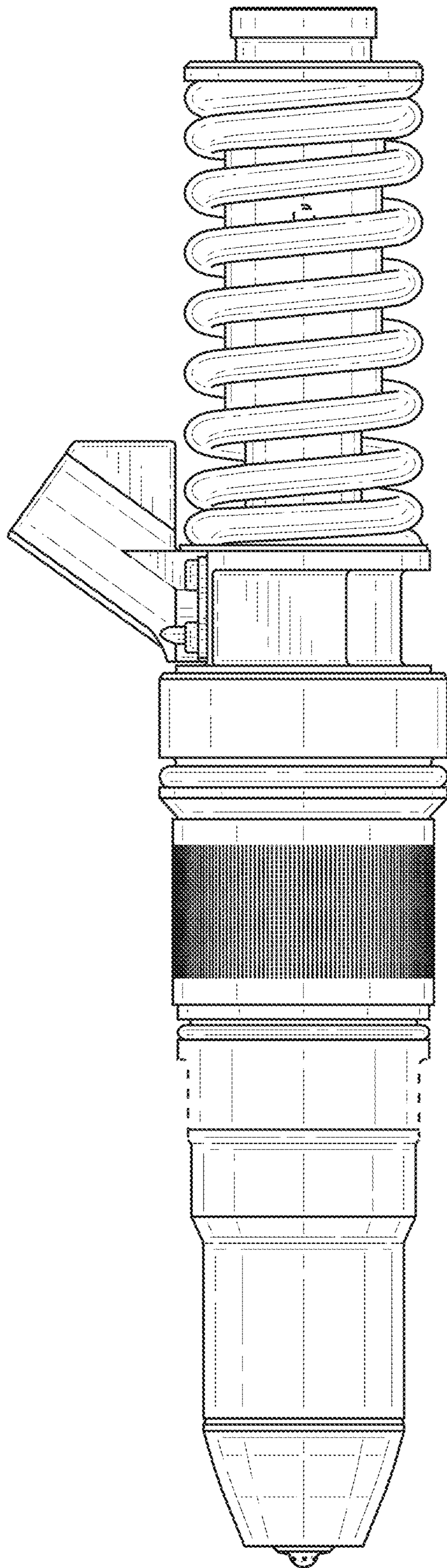


FIG. 5

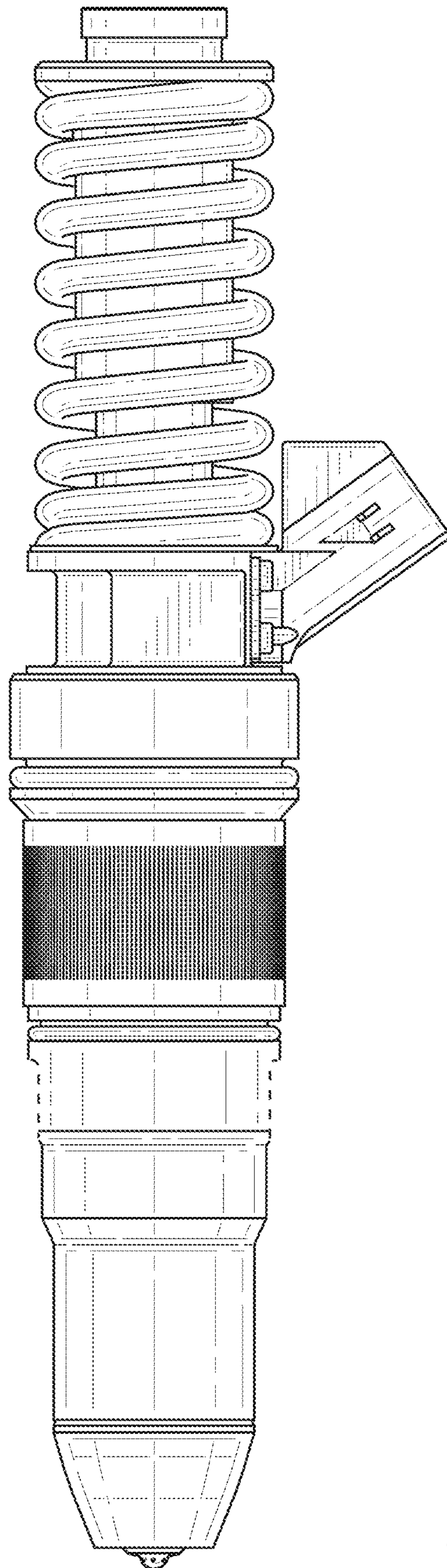


FIG. 6

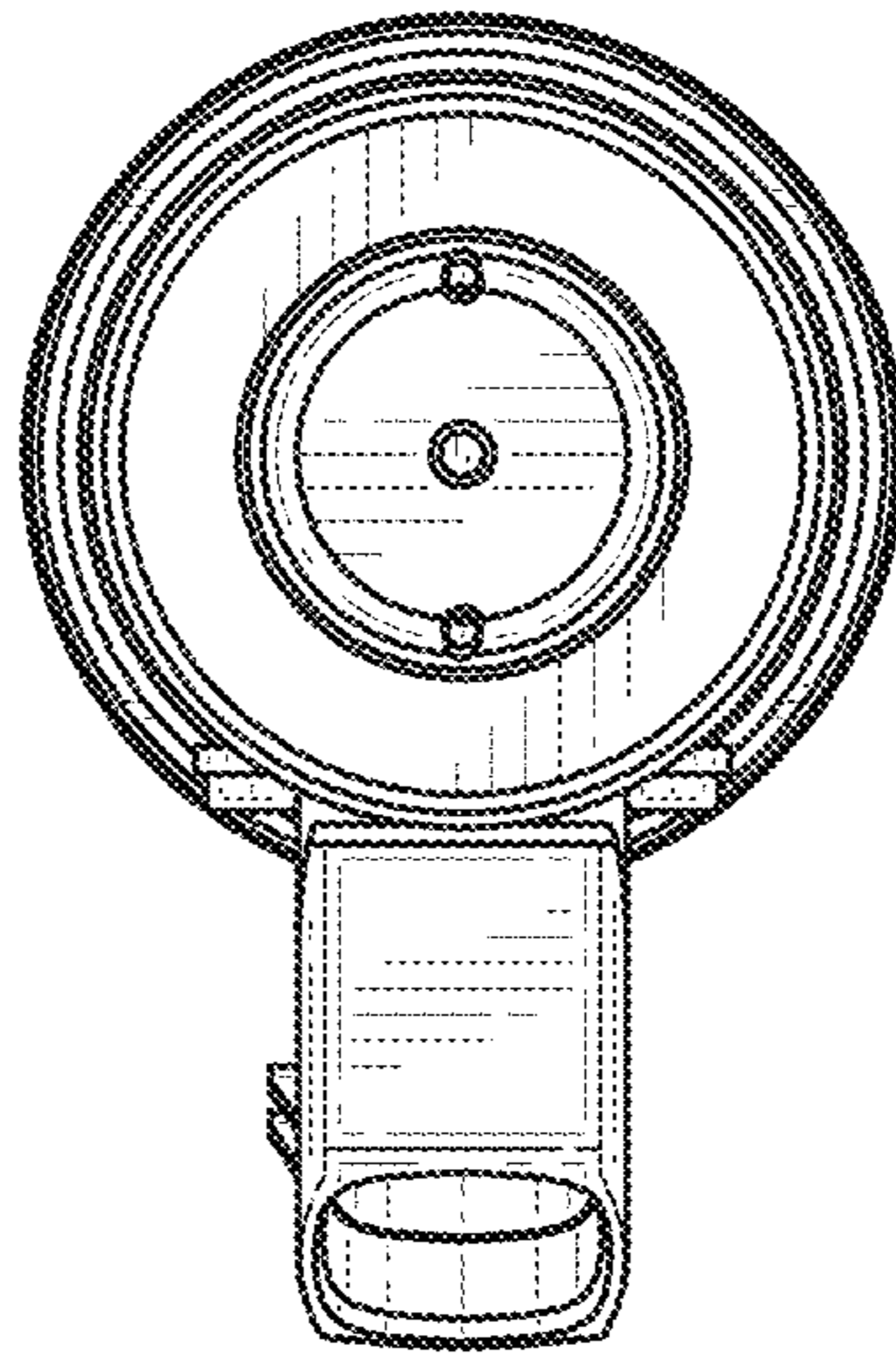


FIG. 7

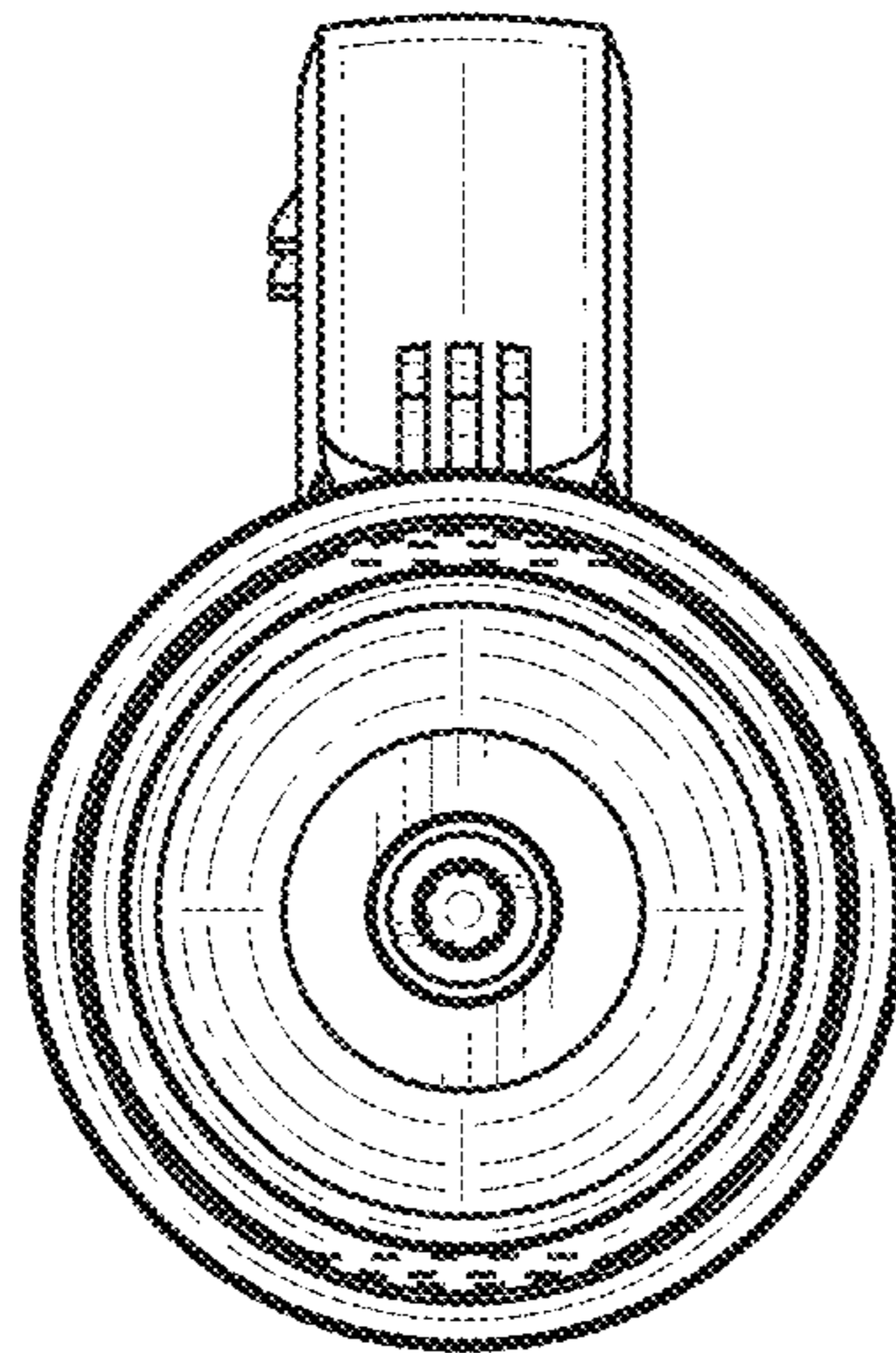


FIG. 8

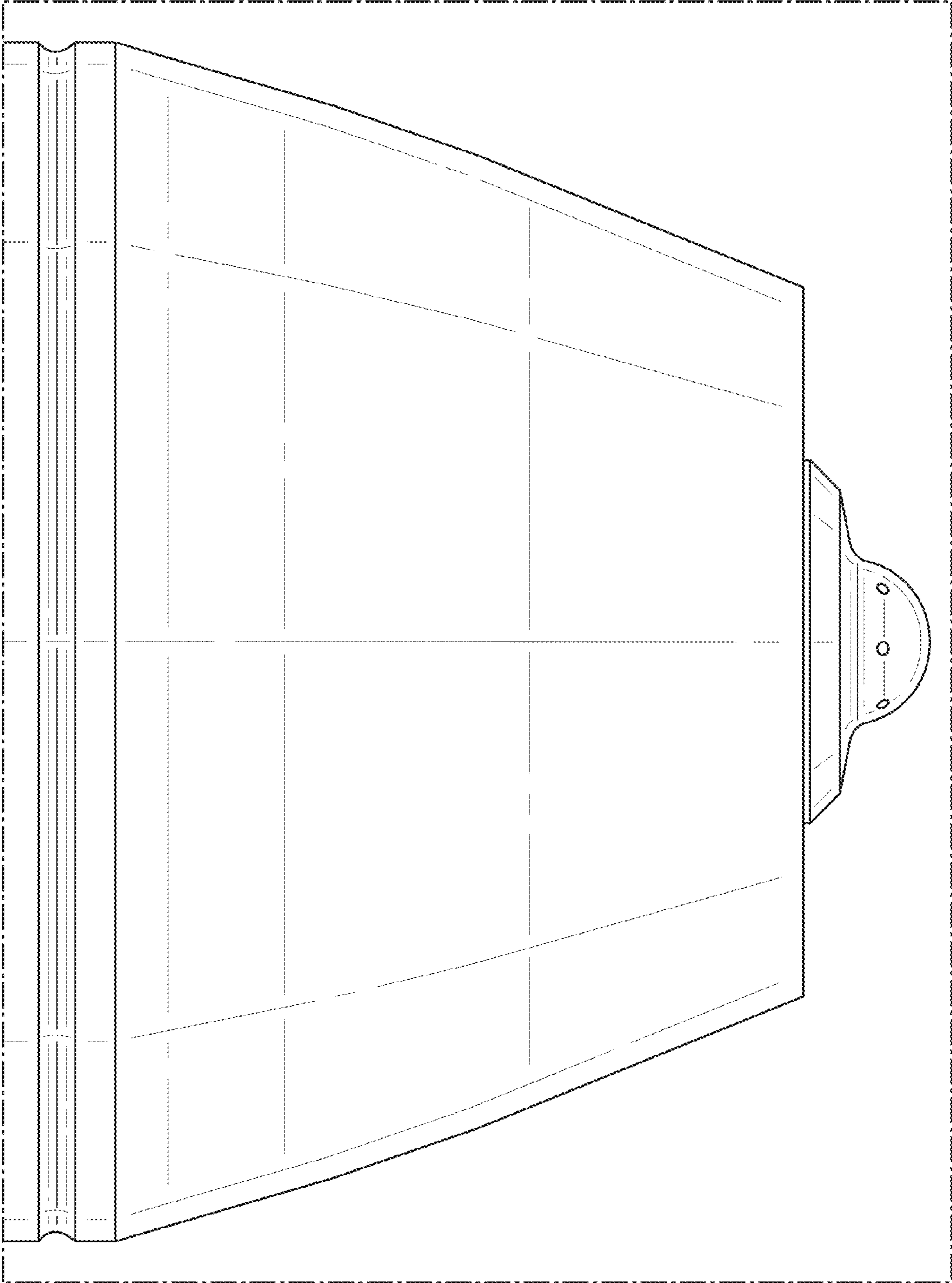


FIG. 9

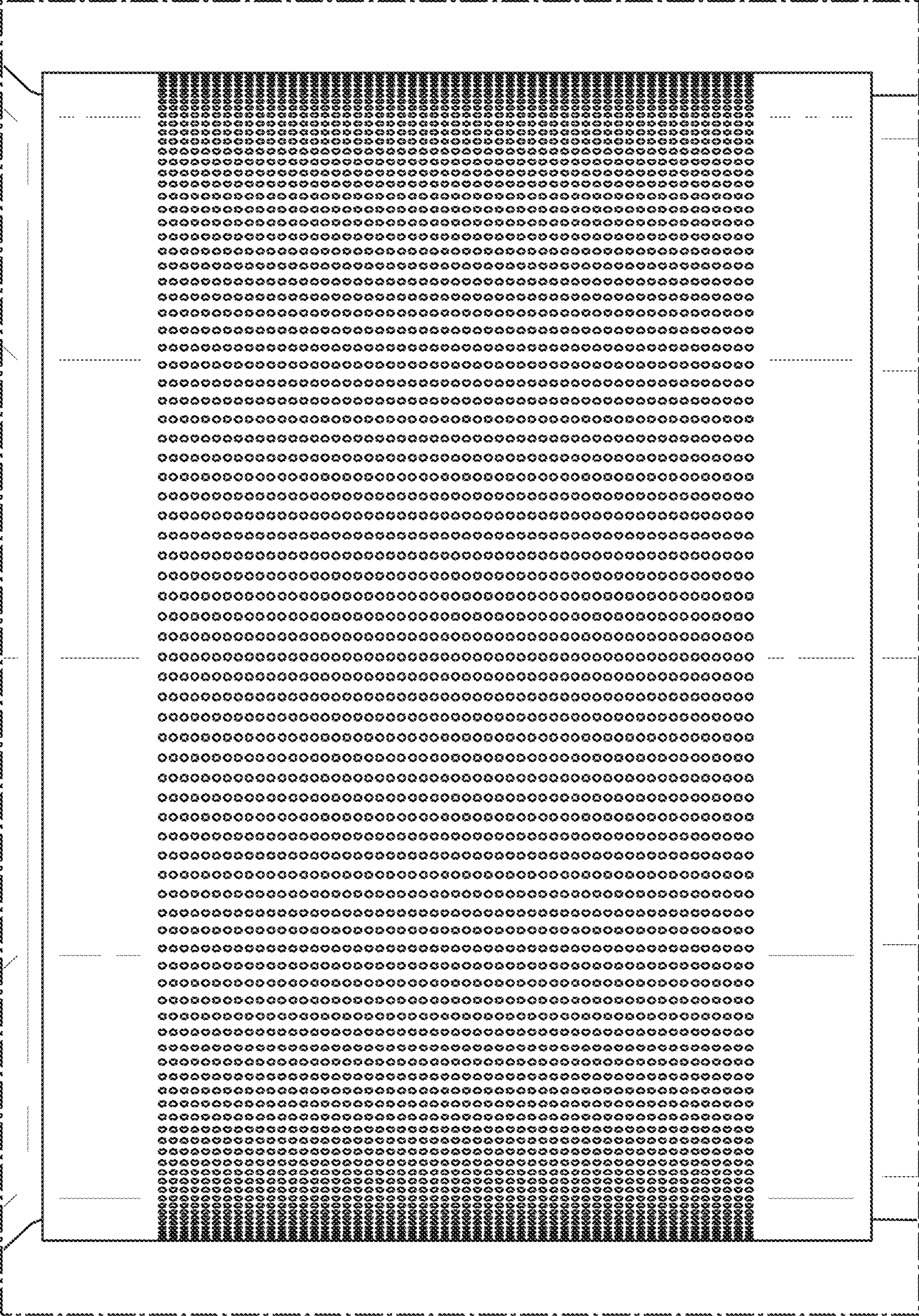


FIG. 10