



US00D949922S

(12) **United States Design Patent** (10) **Patent No.:** **US D949,922 S**
Middlebrook (45) **Date of Patent:** **** Apr. 26, 2022**

(54) **PRESSURE RELIEF VALVE**
(71) Applicant: **Vortech Engineering, Inc.**, Oxnard, CA (US)
(72) Inventor: **James Middlebrook**, Santa Rosa Valley, CA (US)
(73) Assignee: **Vortech Engineering, Inc.**, Oxnard, CA (US)
(**) Term: **15 Years**
(21) Appl. No.: **29/788,746**
(22) Filed: **Jul. 24, 2021**
(51) **LOC (13) Cl.** **15-01**
(52) **U.S. Cl.**
USPC **D15/5**
(58) **Field of Classification Search**
USPC D15/5, 6, 7; D23/233, 235
CPC F16K 17/065; F16K 17/06; F16K 27/02
See application file for complete search history.

5,271,429 A * 12/1993 Bauer F16K 27/0209
137/543.23
5,924,671 A 7/1999 Baumann
6,076,799 A 6/2000 Baumann
6,334,460 B1 1/2002 Hem
6,775,990 B2 8/2004 Swinford
D527,740 S * 9/2006 Ingwersen D15/5
7,373,915 B1 5/2008 Joniec
7,665,714 B2 2/2010 Stumbo
8,474,256 B2 7/2013 Kamen
8,613,198 B2 12/2013 Swinford
8,763,391 B2 7/2014 Kamen
8,881,762 B2 11/2014 Johnson
9,249,892 B2 2/2016 Klippert
9,435,455 B2 9/2016 Peret
9,476,282 B2 10/2016 Anton
D809,018 S * 1/2018 Van Lant D15/5
D886,158 S * 6/2020 Zhang D15/7
10,907,744 B1 2/2021 Middlebrook
D913,337 S * 3/2021 Chu D15/9
11,149,867 B1 * 10/2021 Middlebrook F16K 31/1223
2008/0111088 A1 * 5/2008 Simonelli F16K 17/06
251/60
2008/0302538 A1 12/2008 Hofman
(Continued)

(56) **References Cited**
U.S. PATENT DOCUMENTS
1,743,350 A 1/1930 Hopkins
2,530,091 A * 11/1950 Smith F16K 17/06
137/538
2,997,070 A * 8/1961 Penhalejamese E21B 47/117
138/90
3,359,998 A 12/1967 Fike
3,480,746 A 11/1969 Fry
3,552,713 A 1/1971 Kleeberg
3,643,583 A 2/1972 Fritz
3,675,751 A 7/1972 Fortner
3,695,300 A 10/1972 Bradel
3,705,594 A 12/1972 Placek
4,545,560 A 10/1985 Marcadet
4,958,656 A 9/1990 Patel

Primary Examiner — Ania Aman

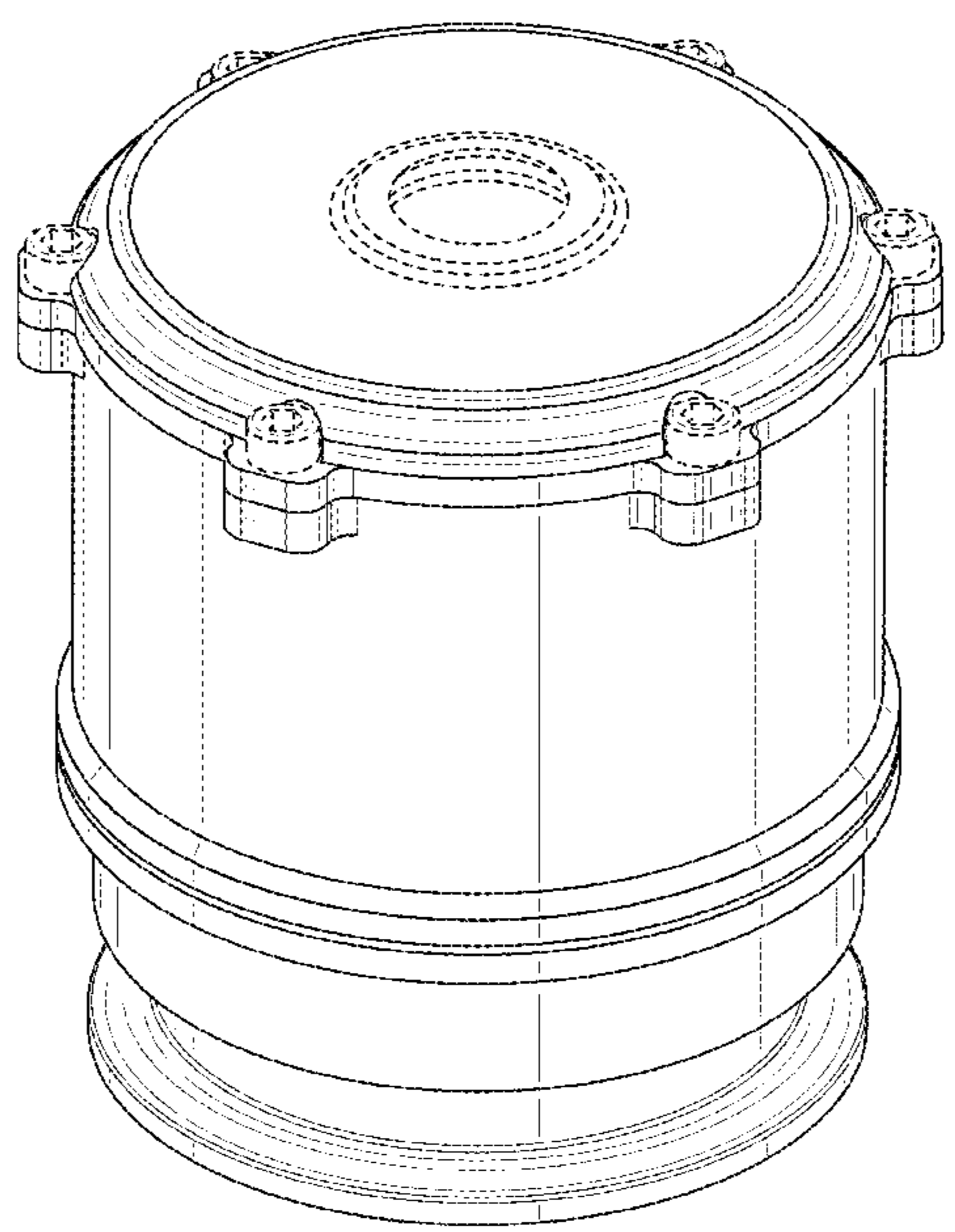
(57) **CLAIM**

The ornamental design for a pressure relief valve, as shown and described.

DESCRIPTION

FIG. 1 is a perspective view of a pressure relief valve showing my new design;
FIG. 2 is a right elevation view;
FIG. 3 is a left elevation view;
FIG. 4 is a top plan view; and,
FIG. 5 is a bottom plan view.
In the drawings, the broken lines shown in the Figures depict environmental subject matter only and form no part of the claimed design.

1 Claim, 5 Drawing Sheets



(56)

References Cited

U.S. PATENT DOCUMENTS

2011/0146601 A1 6/2011 Fisher
2012/0111574 A1 5/2012 Desranleau
2013/0233396 A1* 9/2013 Lee F16K 31/1226
137/12
2016/0003005 A1 1/2016 Pickle
2016/0040797 A1* 2/2016 Albrecht F16K 27/02
137/469
2016/0061370 A1 3/2016 Gennasio
2016/0084434 A1 3/2016 Janway
2016/0357198 A1* 12/2016 Fangmeier F16K 27/02
2017/0016541 A1* 1/2017 Pears F16K 1/46
2019/0309865 A1* 10/2019 Krebs F16K 21/165
2020/0132205 A1* 4/2020 Sharpe F16K 27/0209
2021/0215256 A1* 7/2021 Shinde F16K 21/06

* cited by examiner

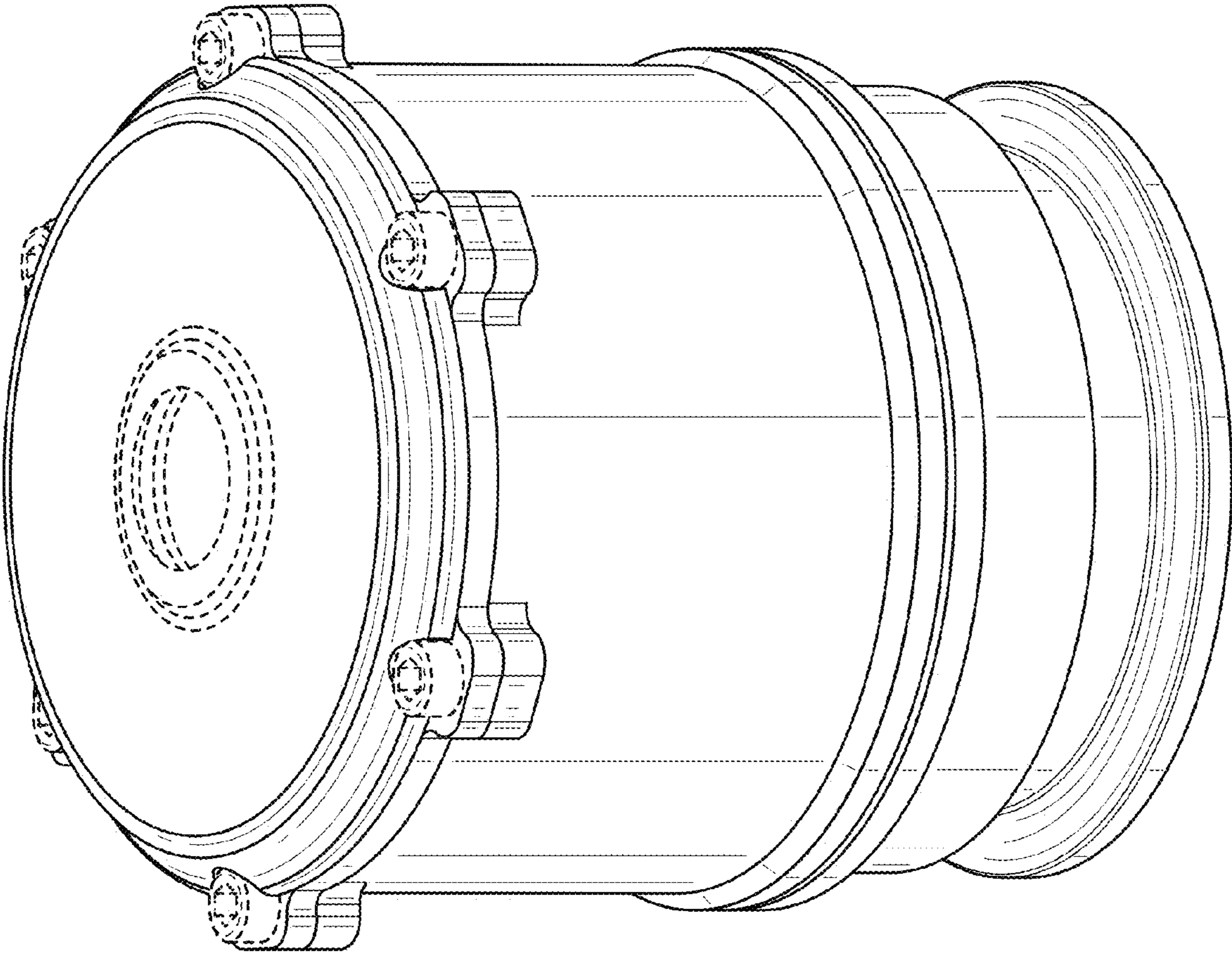


FIG. 1

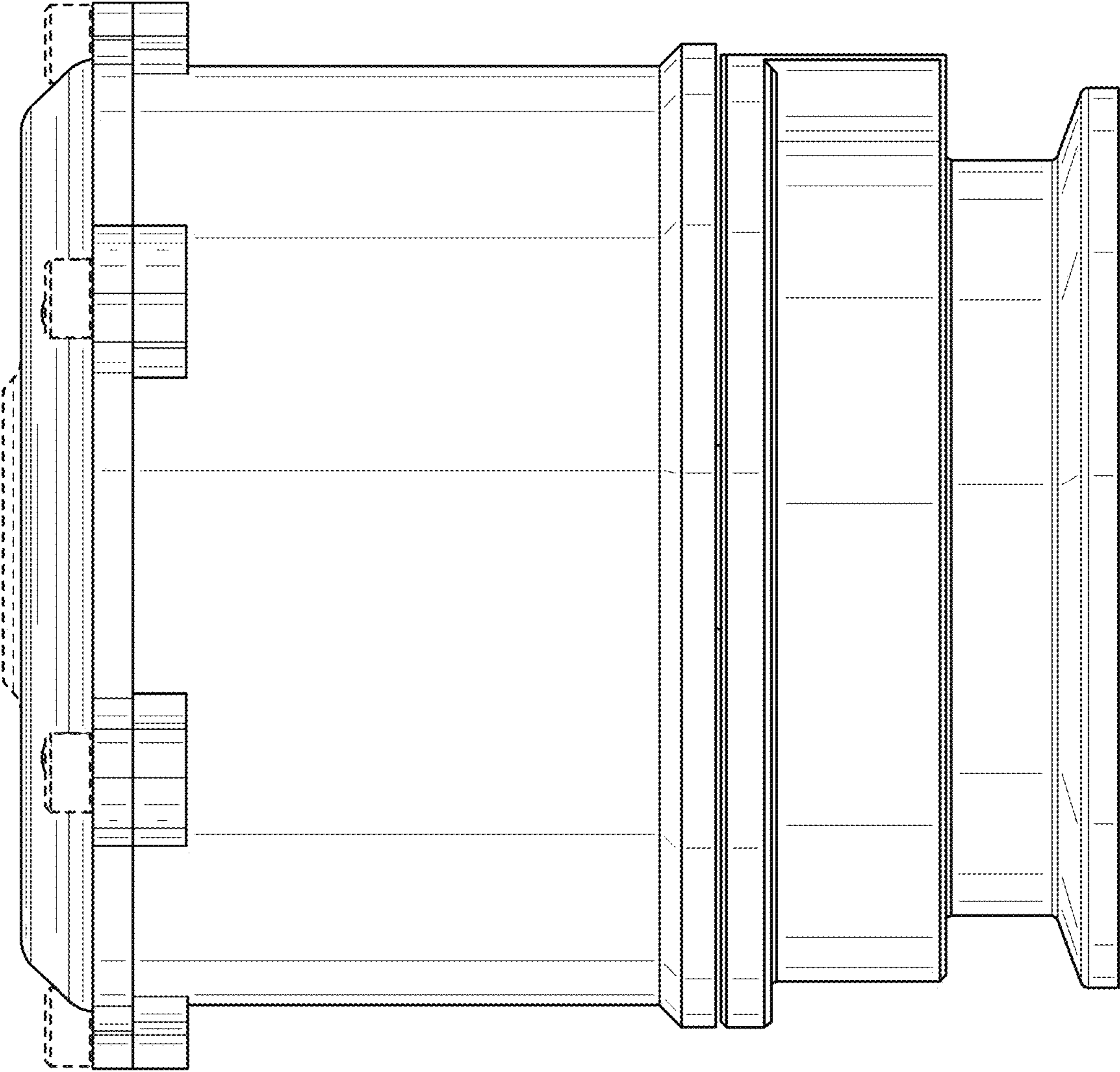


FIG. 2

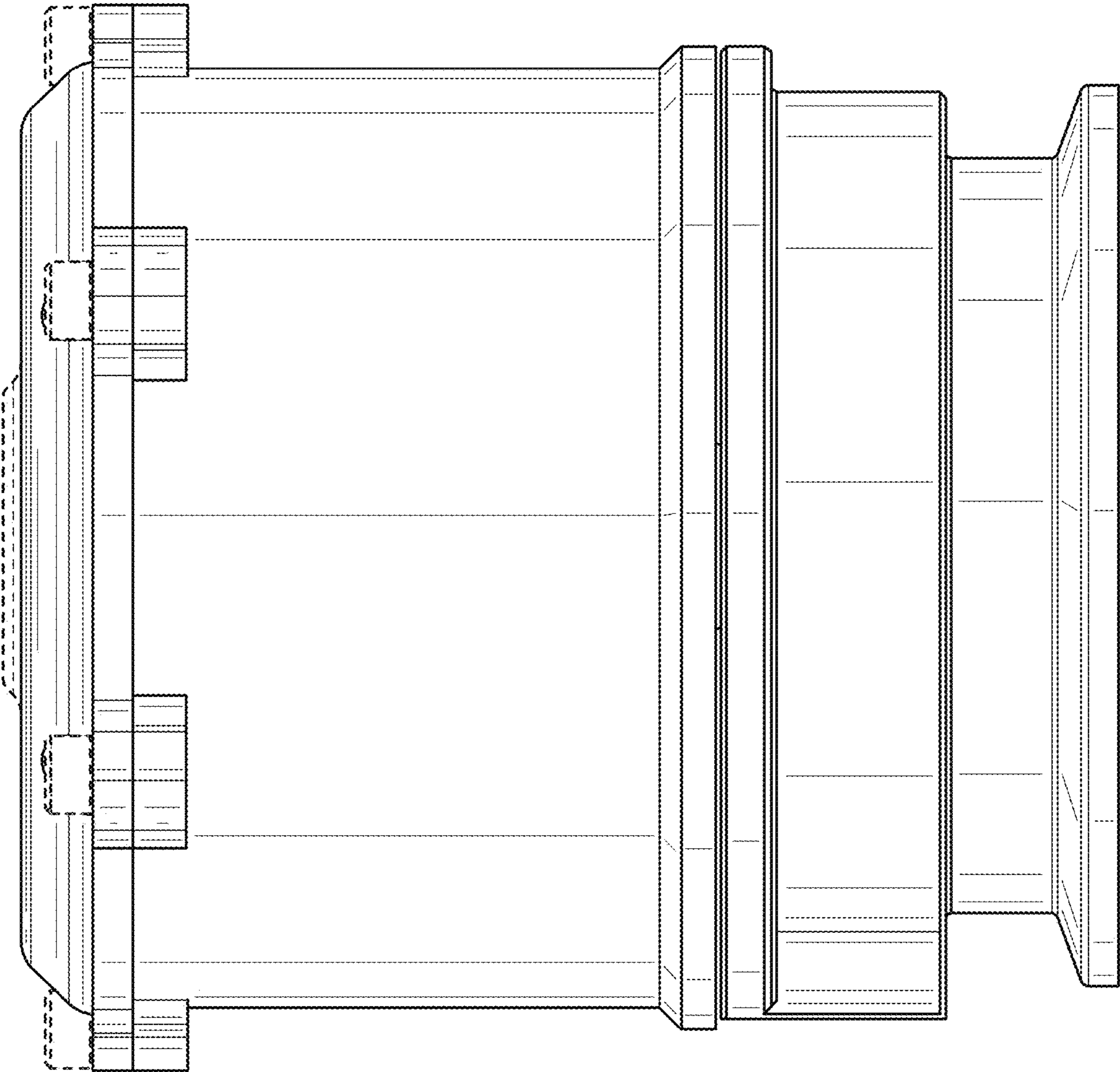


FIG. 3

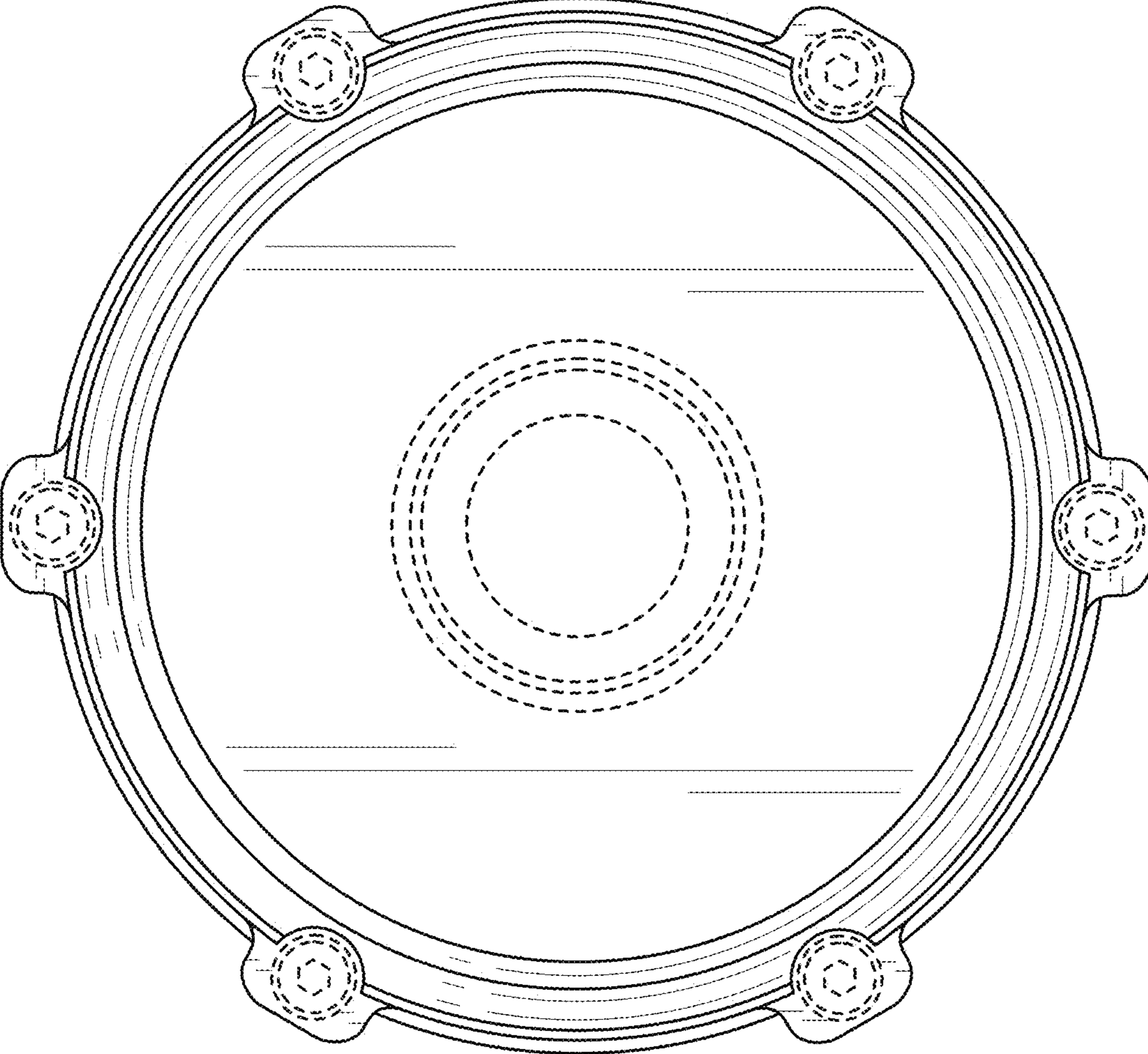


FIG. 4

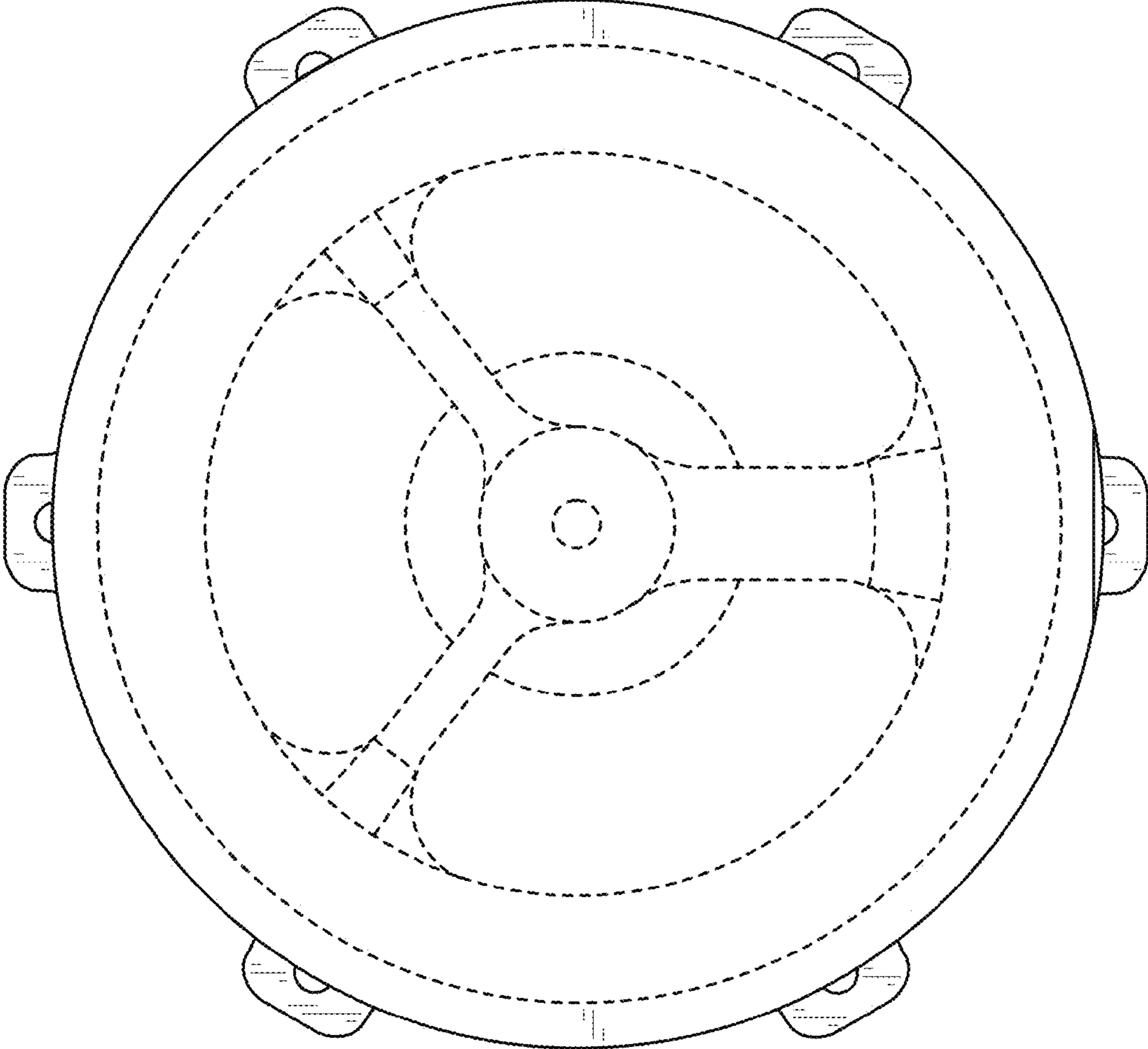


FIG. 5