



US00D949921S

(12) **United States Design Patent**
Panwar et al.

(10) **Patent No.:** **US D949,921 S**
(45) **Date of Patent:** **** Apr. 26, 2022**

(54) **TRANSITION FOR ENGINE EXHAUST**

(71) Applicant: **Powerhouse Engine Solutions**
Switzerland IP Holding GmbH, Zug
(CH)

(72) Inventors: **Surendra Panwar**, Bangalore (IN);
Samir Vikas Joshi, Bangalore (IN)

(73) Assignee: **Powerhouse Engine Solutions**
Switzerland IP Holding GmbH, Zug
(CH)

(**) Term: **15 Years**

(21) Appl. No.: **29/743,070**

(22) Filed: **Jul. 17, 2020**

(51) **LOC (13) Cl.** **15-01**

(52) **U.S. Cl.**
USPC **D15/5**

(58) **Field of Classification Search**
USPC D15/1, 2, 3, 4, 5; D23/259–265,
D23/268–269, 233
CPC B60K 13/02; F02M 35/10013; F02M
35/10026; F02M 35/10078; F02M
35/10091; F02M 26/31; F02M 35/116;
F02M 35/112; F02M 35/1042; F02M
35/1045; F02M 35/104; F02B 29/045;
F02B 29/0481

See application file for complete search history.

(56) **References Cited**

U.S. PATENT DOCUMENTS

D786,308 S * 5/2017 Nagao D15/1
D814,522 S * 4/2018 Turuvekere Gurudatt D15/5
D818,502 S * 5/2018 Chikmangalore Manjunath
D15/5
D892,173 S * 8/2020 Chikmangalore Manjunath
D15/5

2008/0127492 A1* 6/2008 Smith B23K 37/0426
29/888.011
2011/0079004 A1* 4/2011 Moran F01N 13/085
60/324
2012/0312270 A1* 12/2012 Kaiser G01F 1/684
123/184.21
2013/0244559 A1* 9/2013 Hammers B08B 15/00
454/63
2014/0182290 A1* 7/2014 Bhide F02B 37/002
60/612
2014/0202160 A1* 7/2014 Romig F23R 3/60
60/740
2014/0260274 A1* 9/2014 Stoia F02C 7/222
60/739
2015/0159877 A1* 6/2015 Stoia F02C 7/222
60/735

OTHER PUBLICATIONS

Panwar, S. et al., “An Ornamental Design for an Transition Eductor Inlet,” U.S. Appl. No. 29/743,075, filed Jul. 17, 2020, 7 pages.

* cited by examiner

Primary Examiner — Ania Aman

(74) *Attorney, Agent, or Firm* — McCoy Russell LLP

(57) **CLAIM**

The ornamental design for a transition for engine exhaust, as shown and described.

DESCRIPTION

FIG. 1 is a front-top-left perspective view of a transition for engine exhaust showing our new design.

FIG. 2 is a front view of the transition for engine exhaust.

FIG. 3 is a rear view of the transition for engine exhaust.

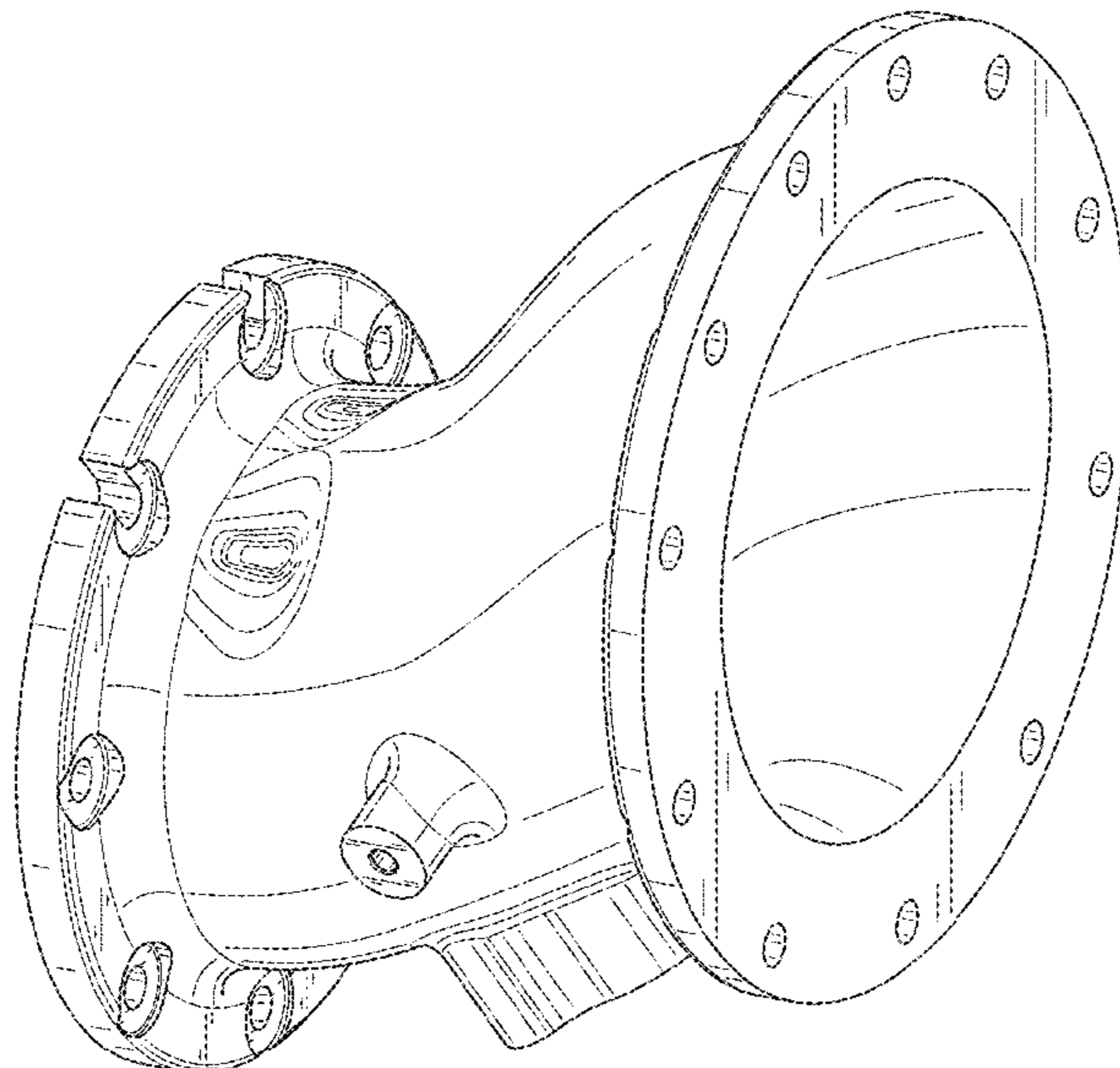
FIG. 4 is a left side view of the transition for engine exhaust.

FIG. 5 is a right side view of the transition for engine exhaust.

FIG. 6 is a top view of the transition for engine exhaust; and,

FIG. 7 is a bottom view of the transition for engine exhaust.

1 Claim, 7 Drawing Sheets



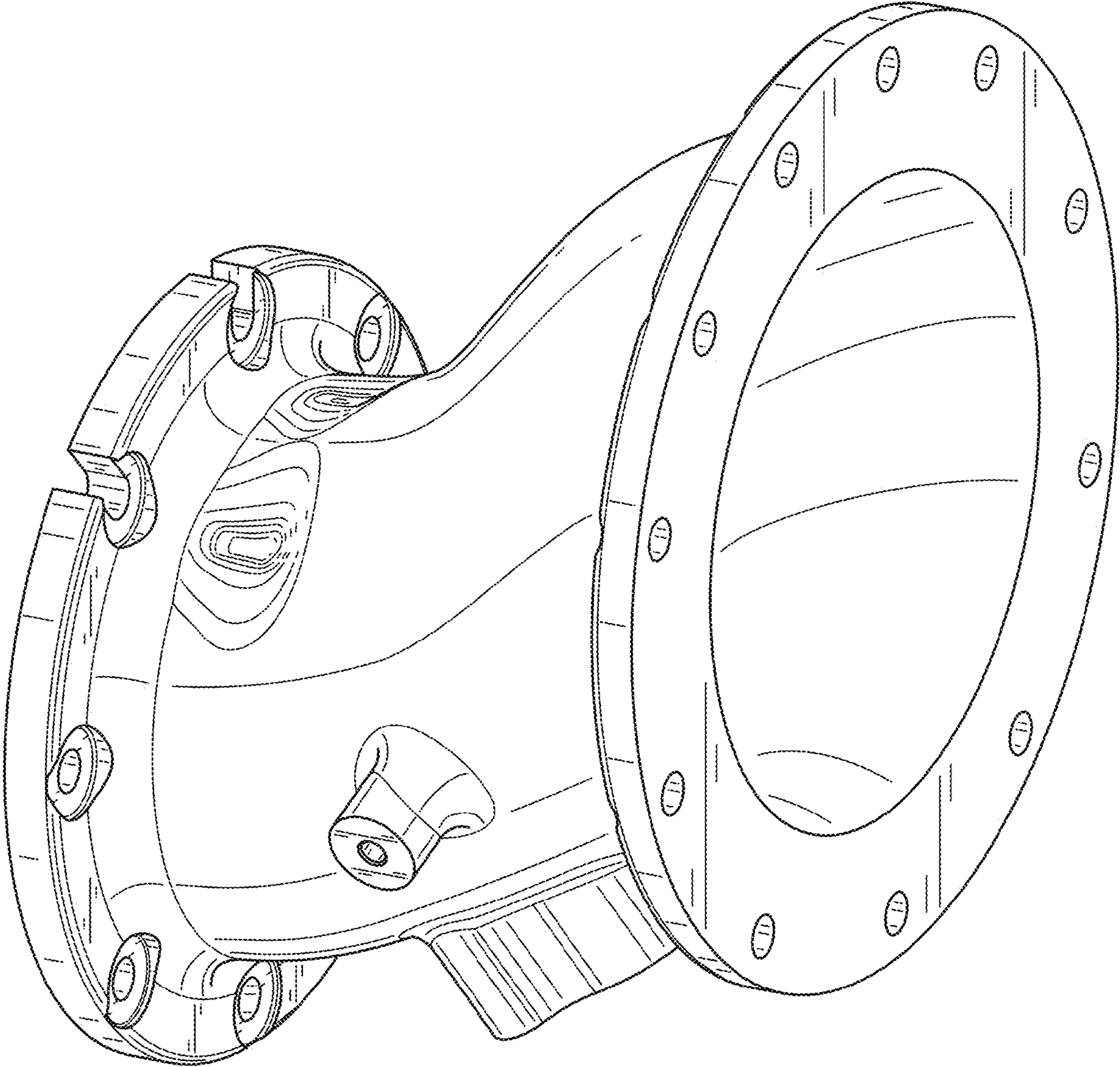


FIG. 1

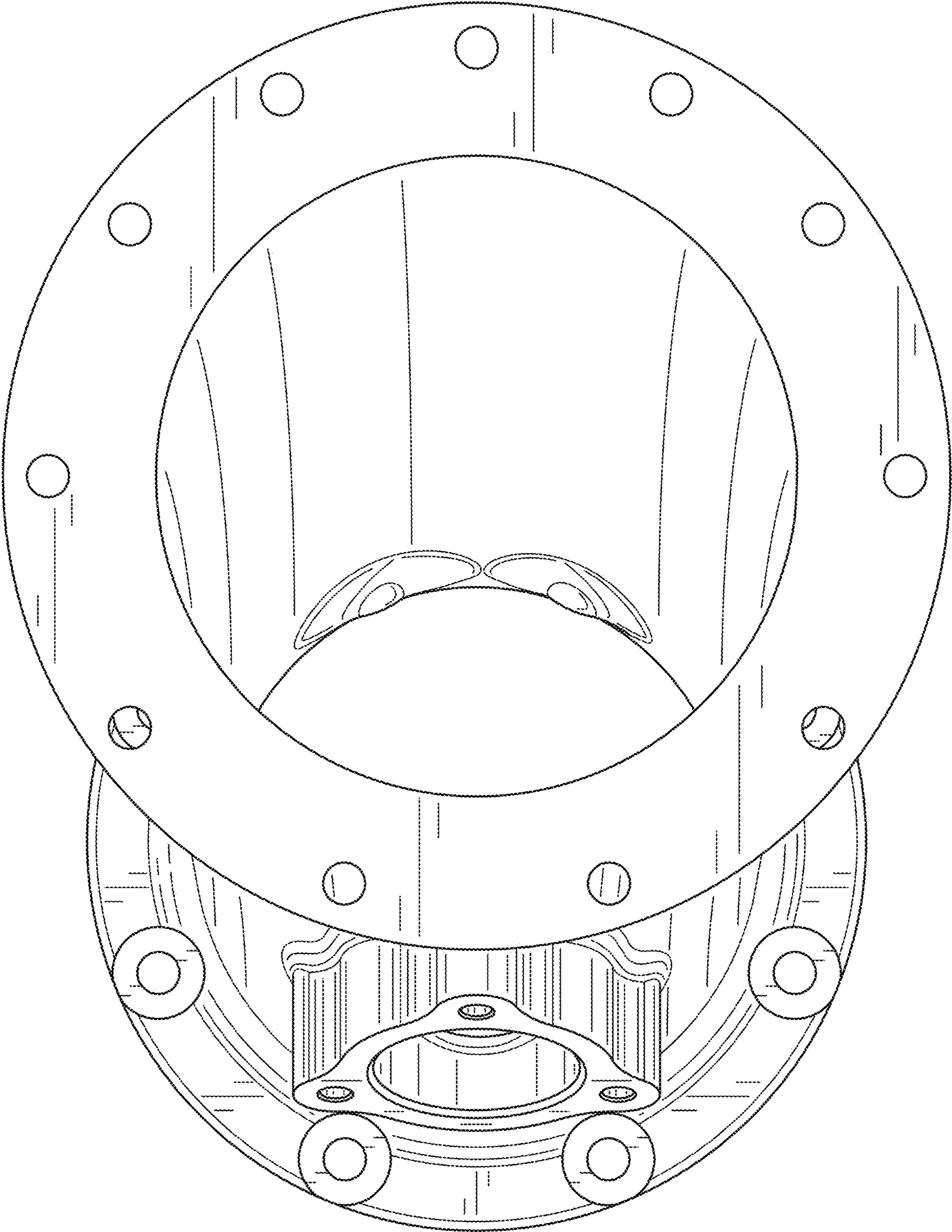


FIG. 2

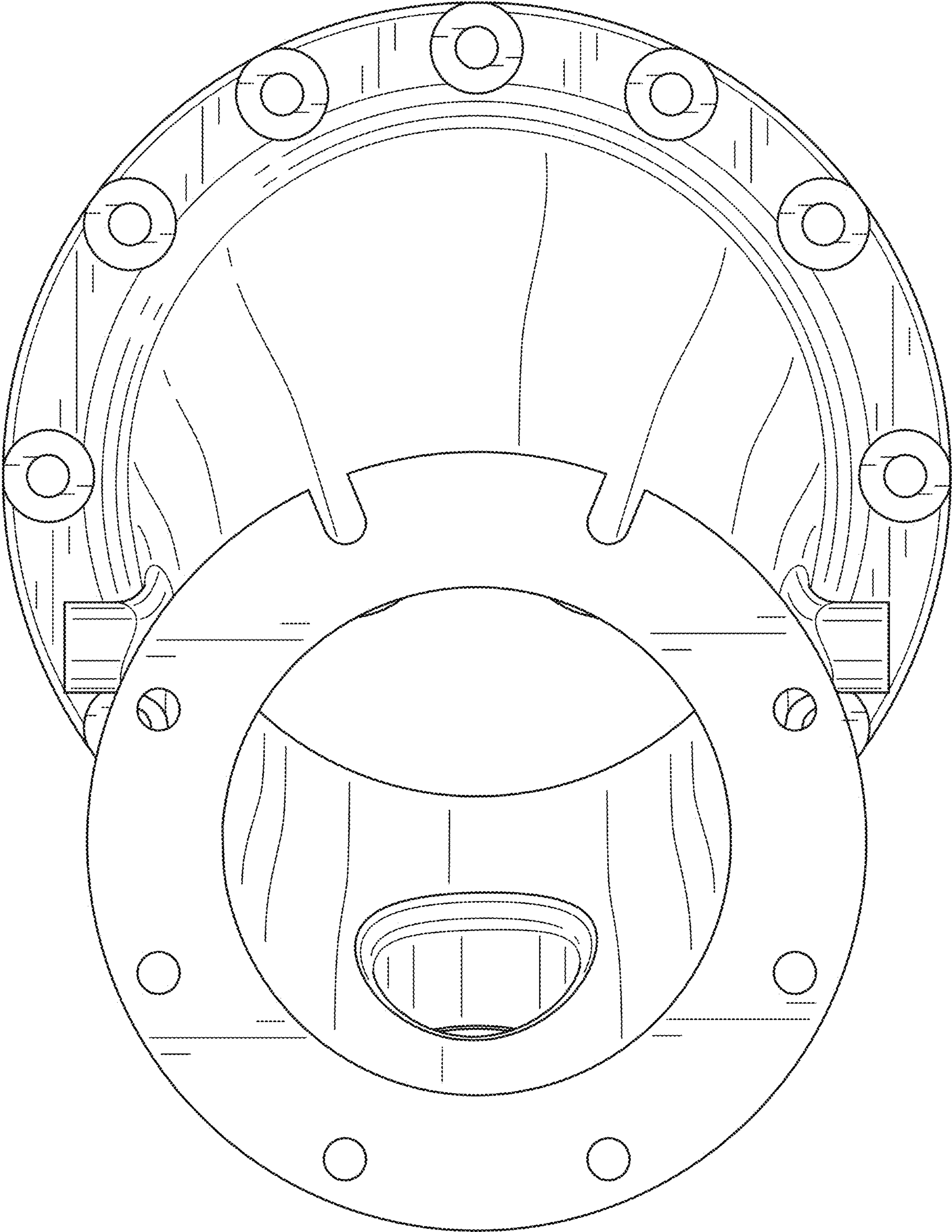


FIG. 3

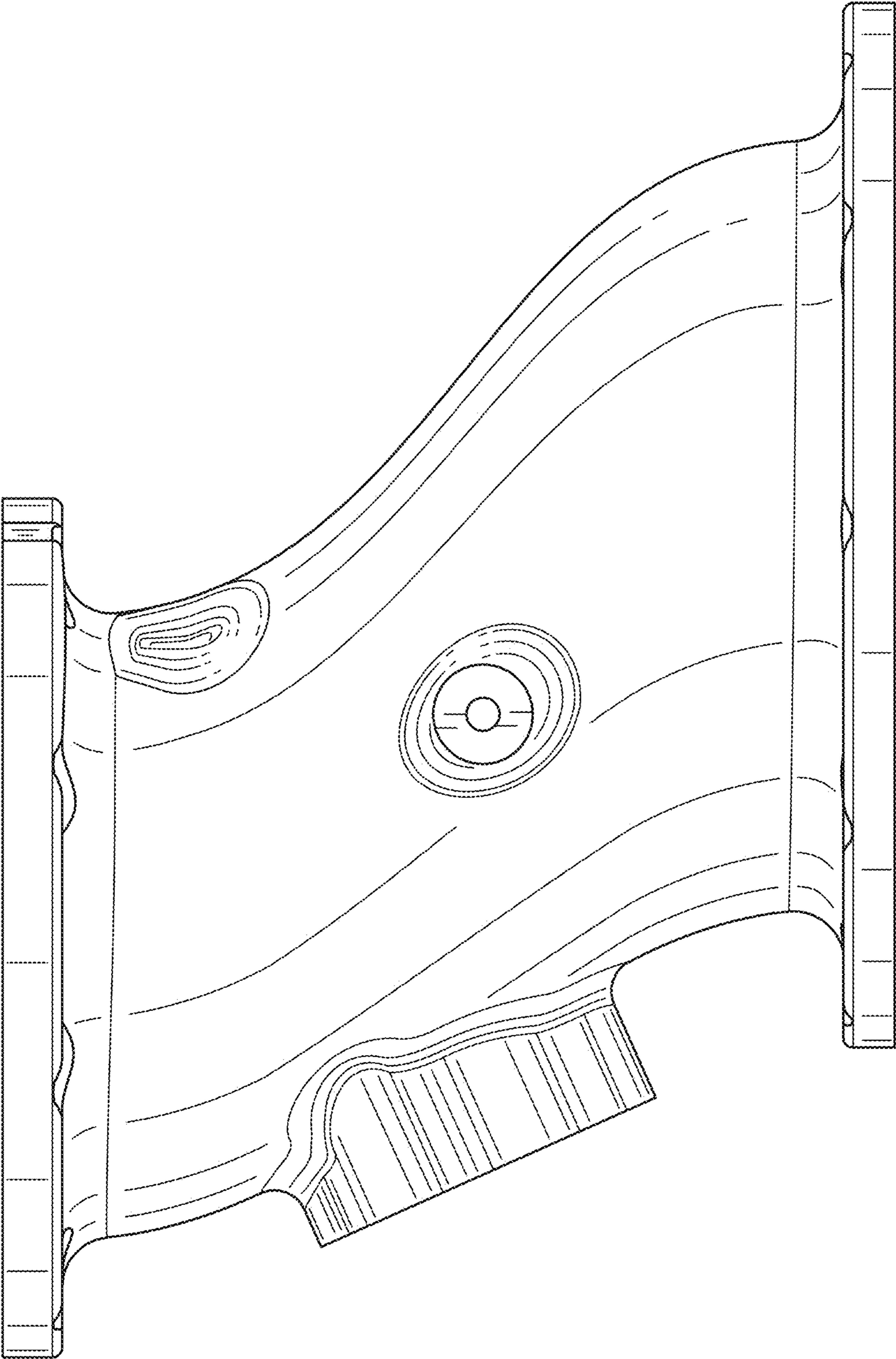


FIG. 4

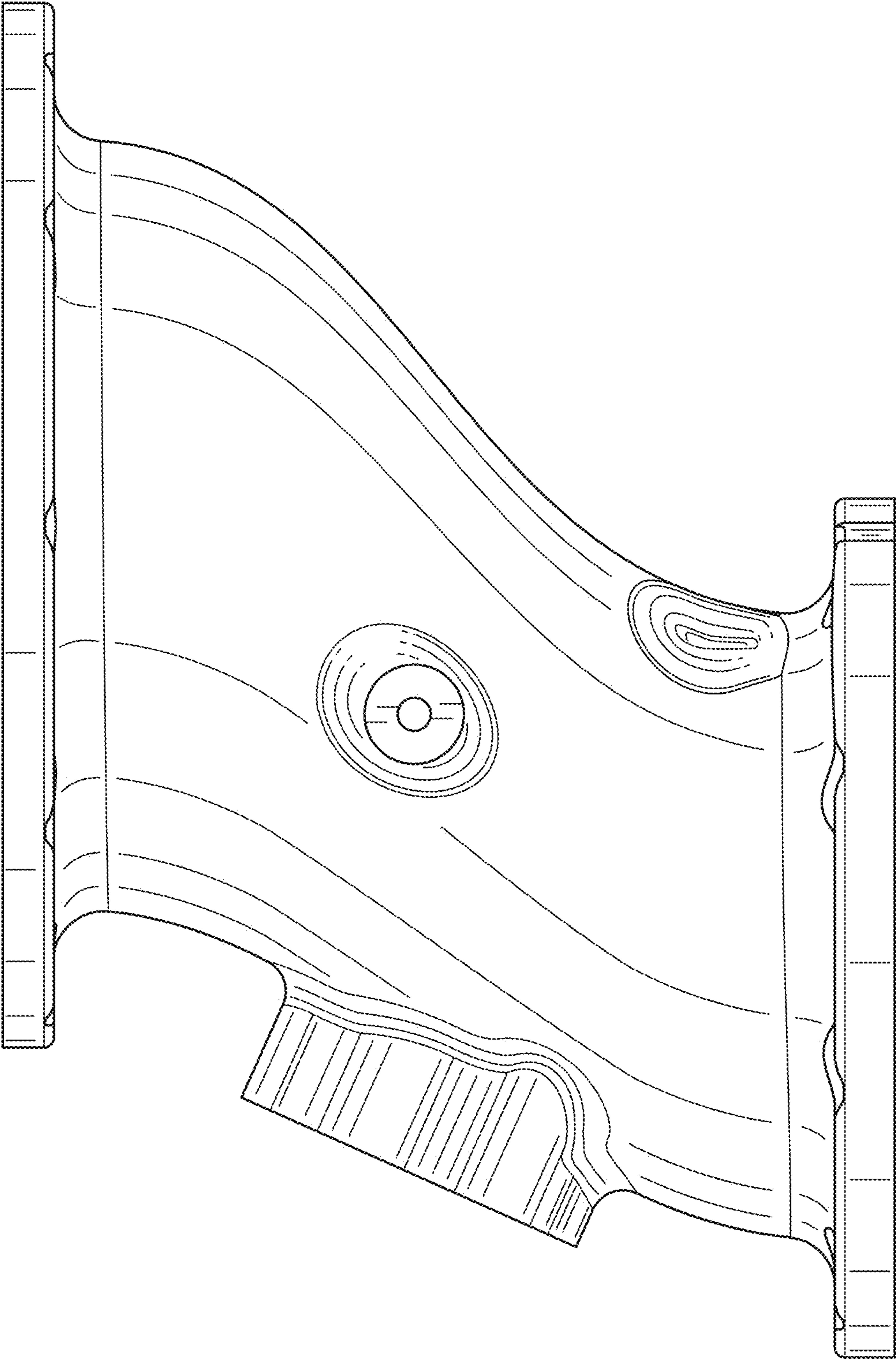


FIG. 5

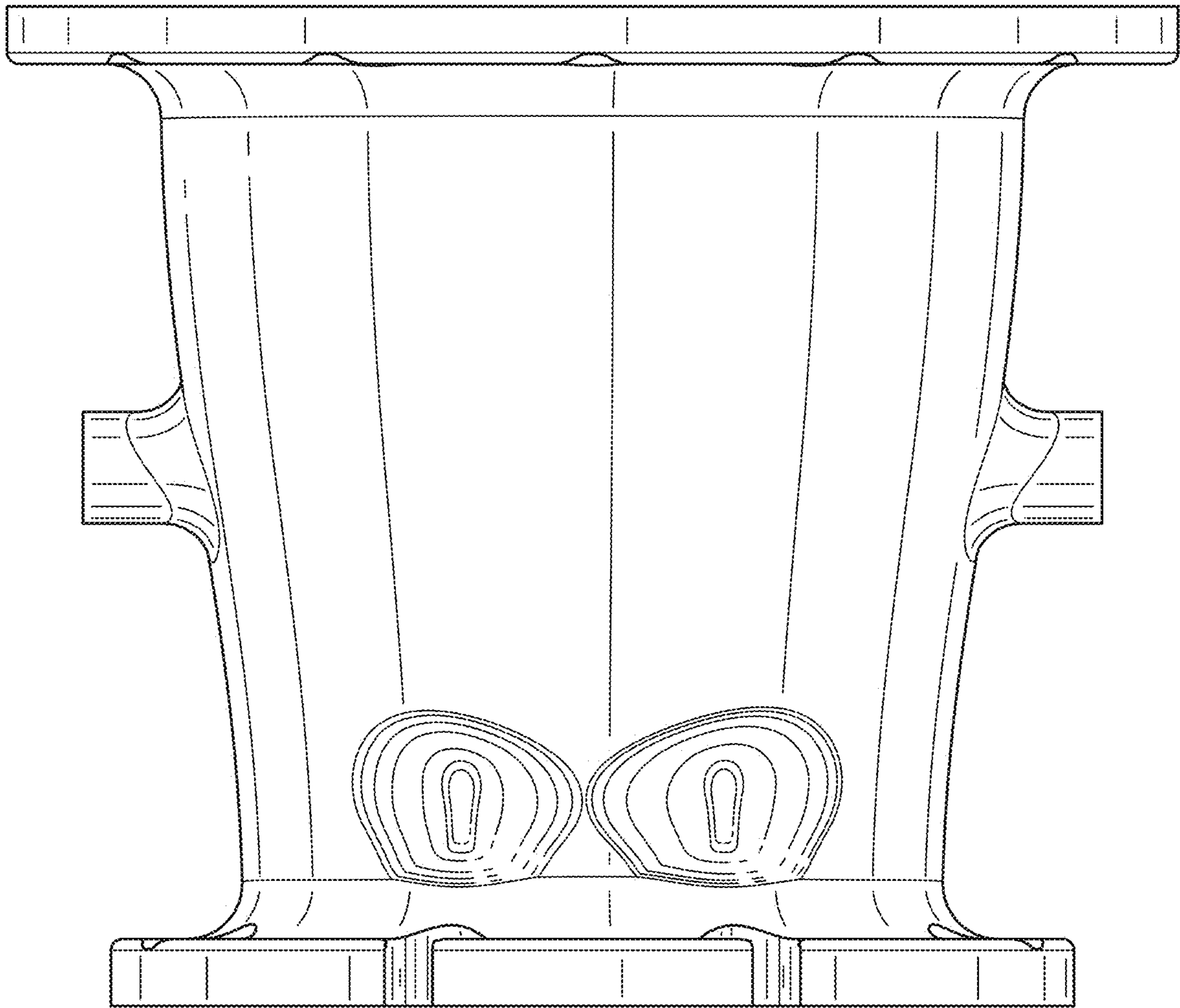


FIG. 6

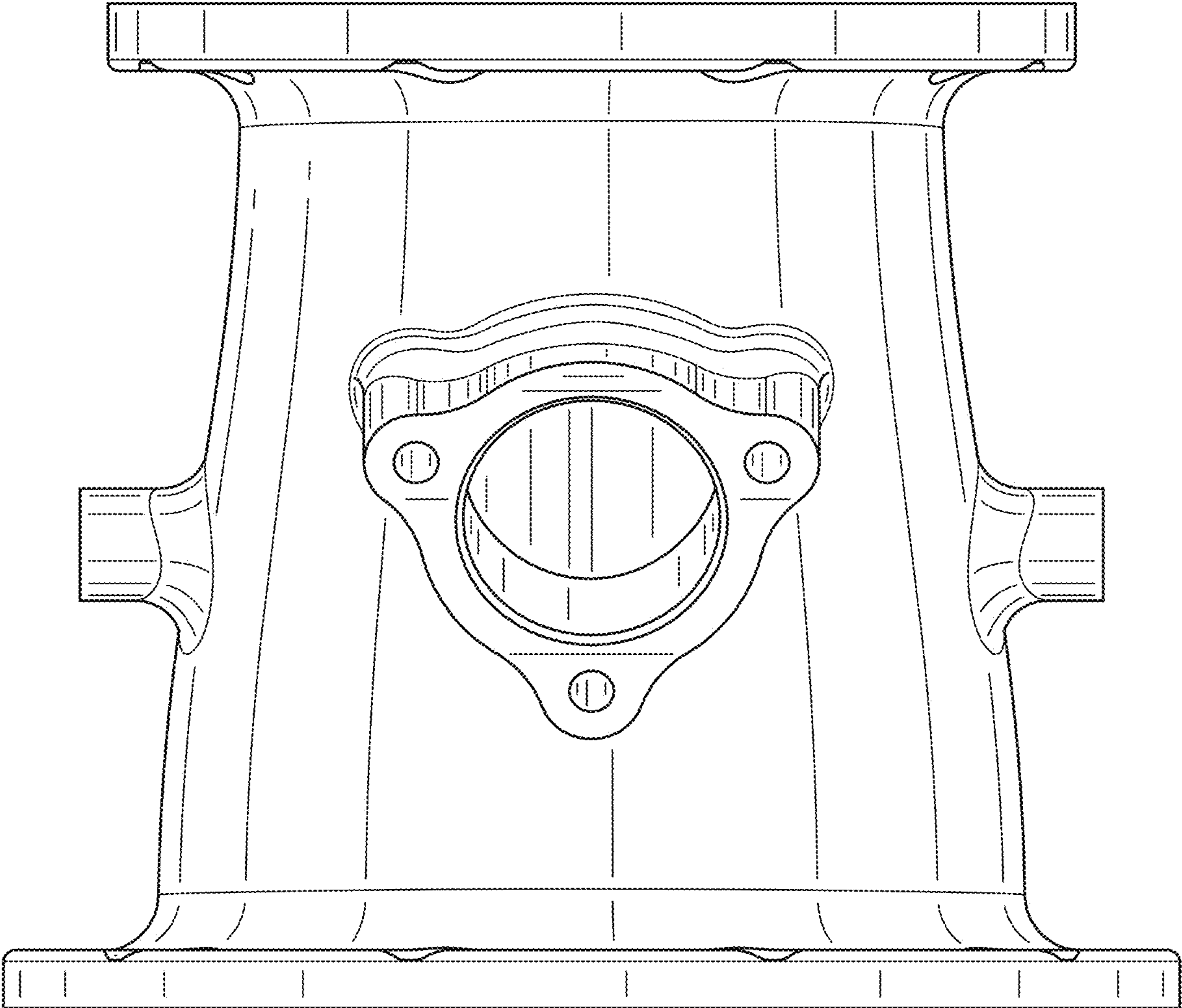


FIG. 7