

US00D949920S

(12) **United States Design Patent**
Cocciardi

(10) **Patent No.:** **US D949,920 S**

(45) **Date of Patent:** **** Apr. 26, 2022**

(54) **VALVE BODY**

(71) Applicant: **Magenta Haze Pty Ltd**, Cranbourne (AU)

(72) Inventor: **Peter Cocciardi**, Cranbourne (AU)

(73) Assignee: **Magenta Haze Pty Ltd**, Cranbourne (AU)

(**) Term: **15 Years**

(21) Appl. No.: **29/701,838**

(22) Filed: **Aug. 15, 2019**

(30) **Foreign Application Priority Data**

Feb. 15, 2019 (AU) 201910827

(51) **LOC (13) Cl.** **15-01**

(52) **U.S. Cl.**
USPC **D15/5**

(58) **Field of Classification Search**
USPC D15/1-5; D23/233, 235, 237, 241-249,
D23/259, 262, 269

CPC F01L 1/185; F01L 2001/186; F01L 1/18;
F01L 13/0036; F01L 1/2405

See application file for complete search history.

(56) **References Cited**

U.S. PATENT DOCUMENTS

D587,284 S *	2/2009	Stopanio	D15/5
D791,190 S *	7/2017	McCarthy, Jr.	D15/5
D830,414 S *	10/2018	Raimondi	D15/5
D833,482 S *	11/2018	McCarthy, Jr.	D15/5
D857,752 S *	8/2019	McCarthy, Jr.	D15/5
11,143,060 B2 *	10/2021	Yamane	B21D 53/84

* cited by examiner

Primary Examiner — Gino Colan

(74) *Attorney, Agent, or Firm* — Clark & Brody LP

(57) **CLAIM**

The ornamental design for a valve body, as shown and described.

DESCRIPTION

FIG. 1 is a lower perspective view of the valve body showing my new design;

FIG. 2 is an upper perspective view thereof;

FIG. 3 is a left side view thereof;

FIG. 4 is a right side view thereof;

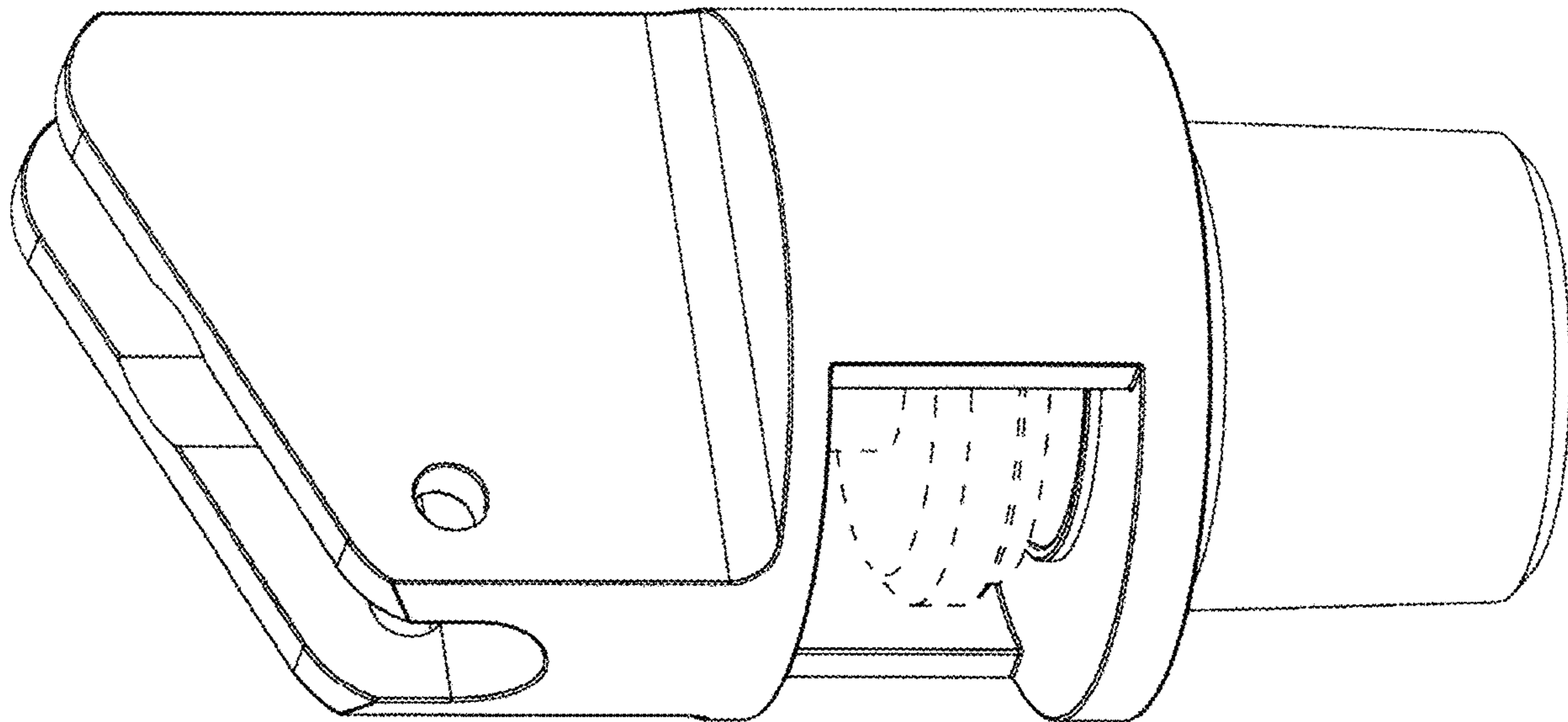
FIG. 5 is a front view thereof.

FIG. 6 is a rear view thereof;

FIG. 7 is a top view thereof; and,

FIG. 8 is a bottom view thereof.

1 Claim, 8 Drawing Sheets



LOWER PERSPECTIVE VIEW

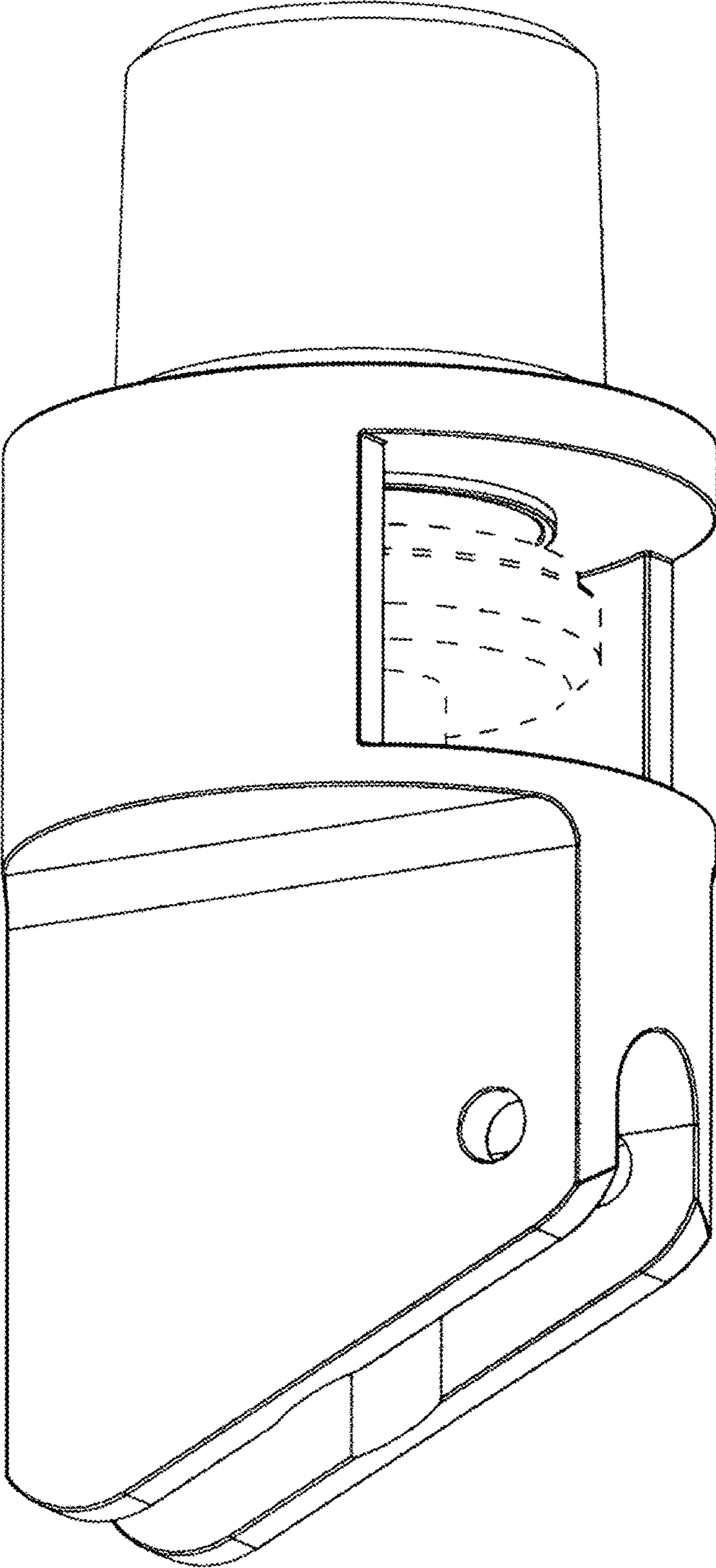


Fig. 1 LOWER PERSPECTIVE VIEW

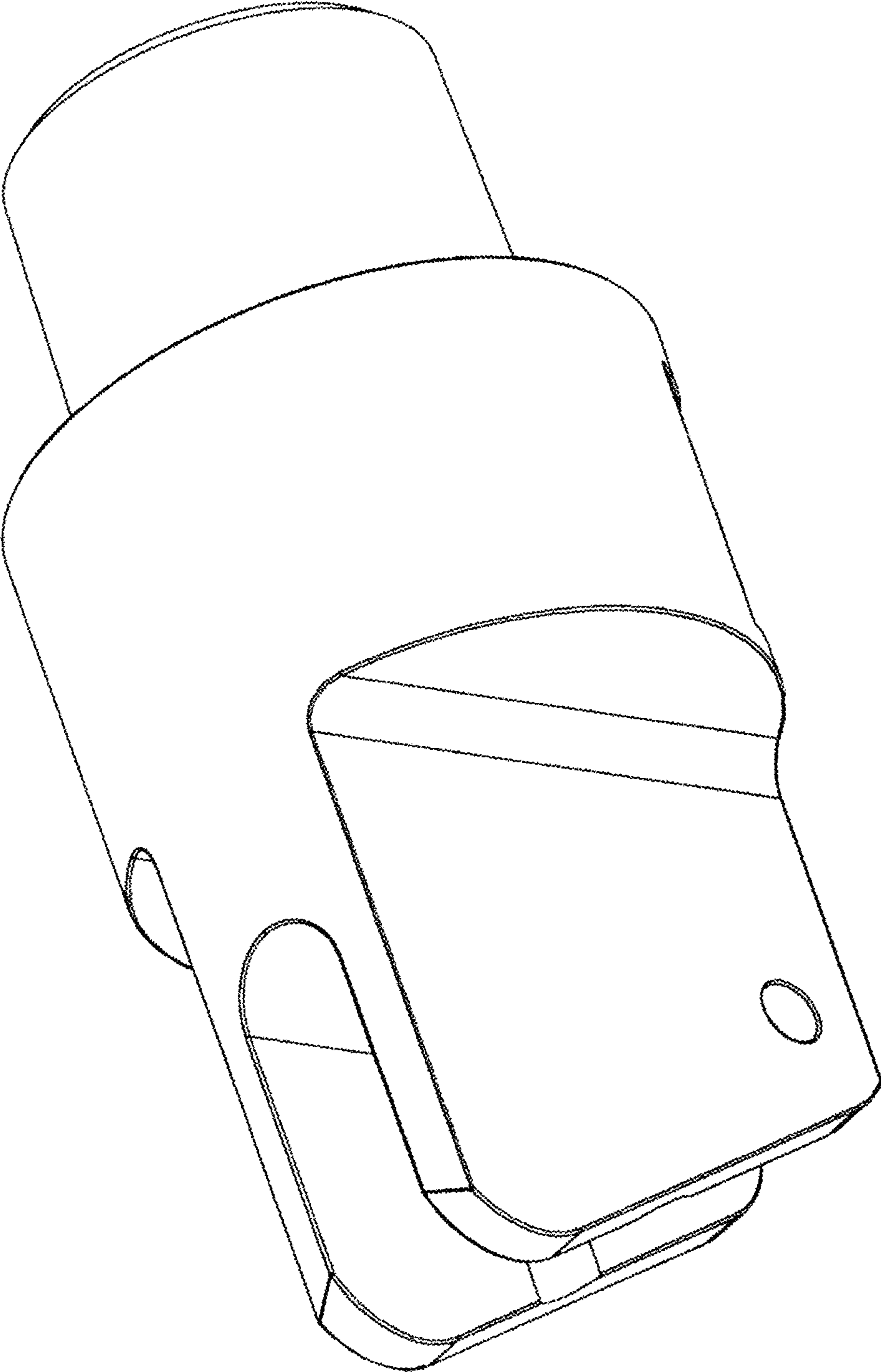


Fig. 2 UPPER PERSPECTIVE VIEW

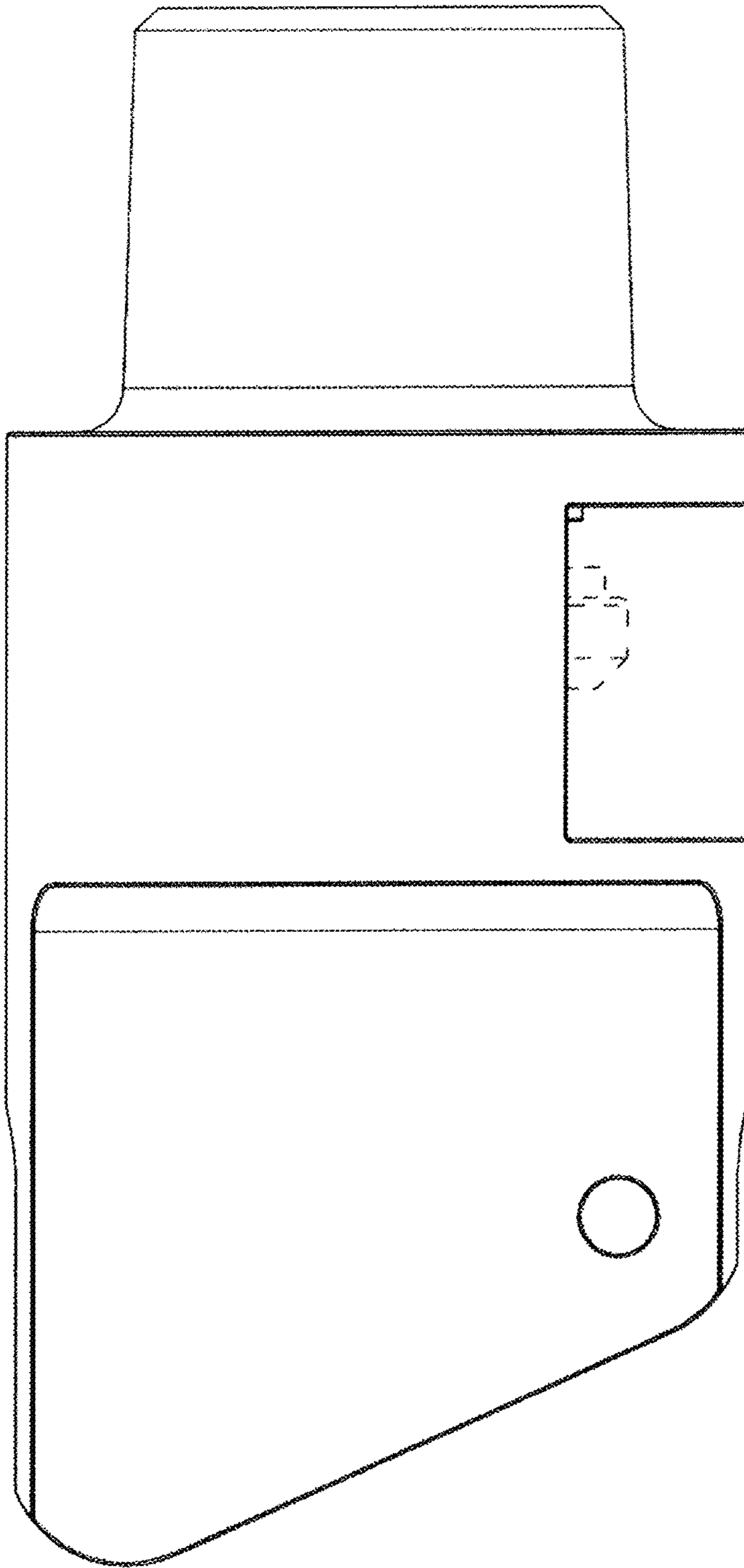


Fig. 3 LEFT SIDE VIEW

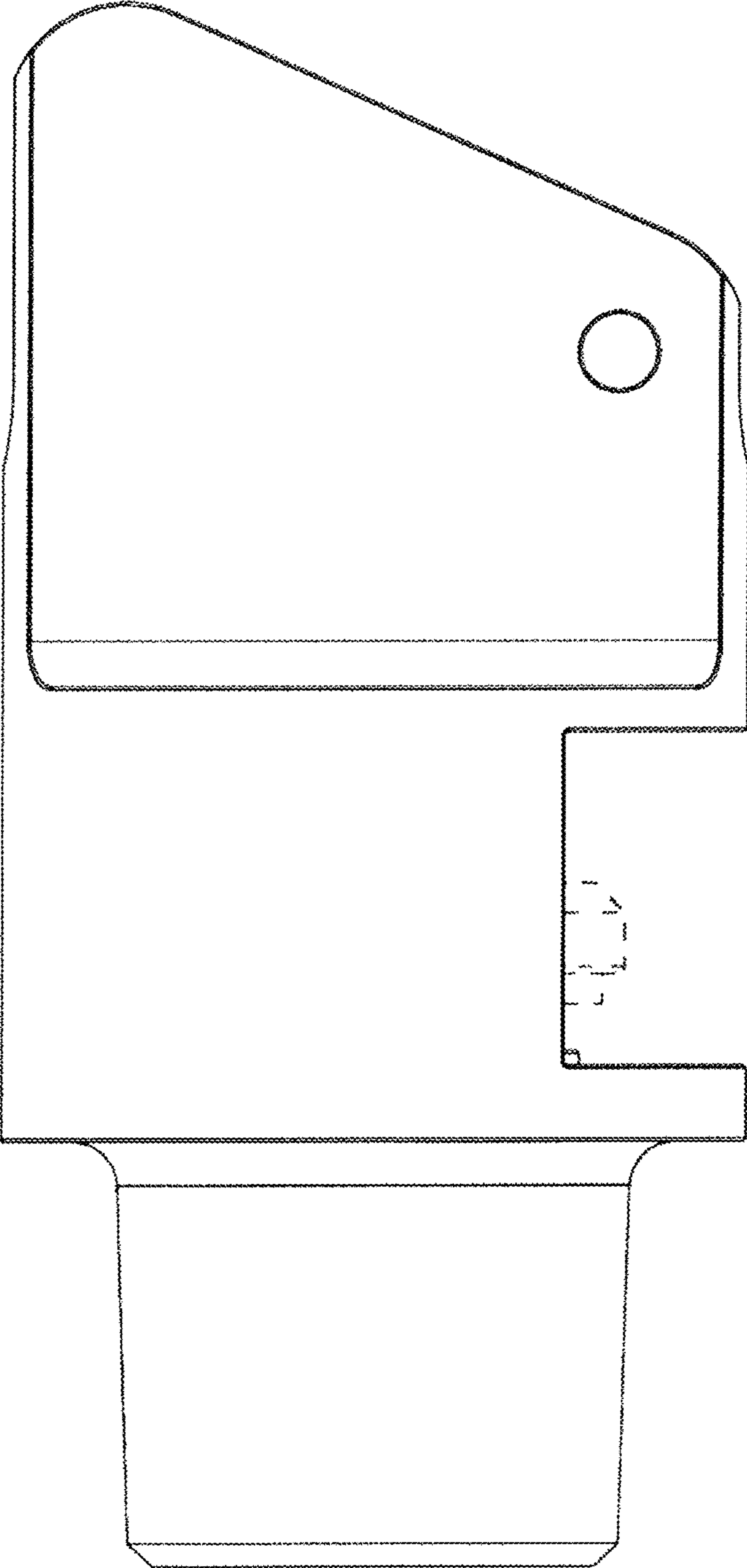


FIG. 4 RIGHT SIDE VIEW

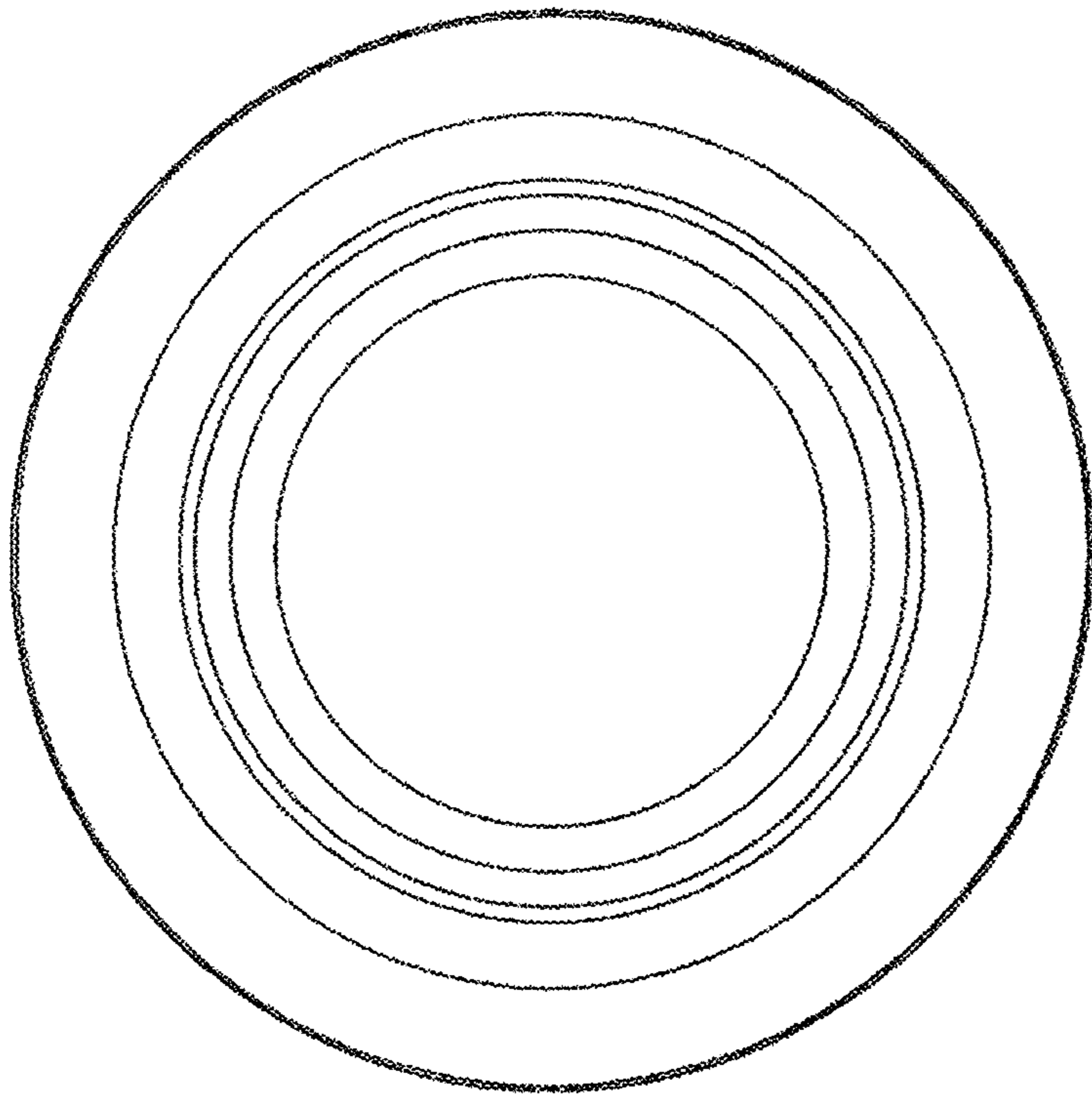


Fig. 5 FRONT VIEW

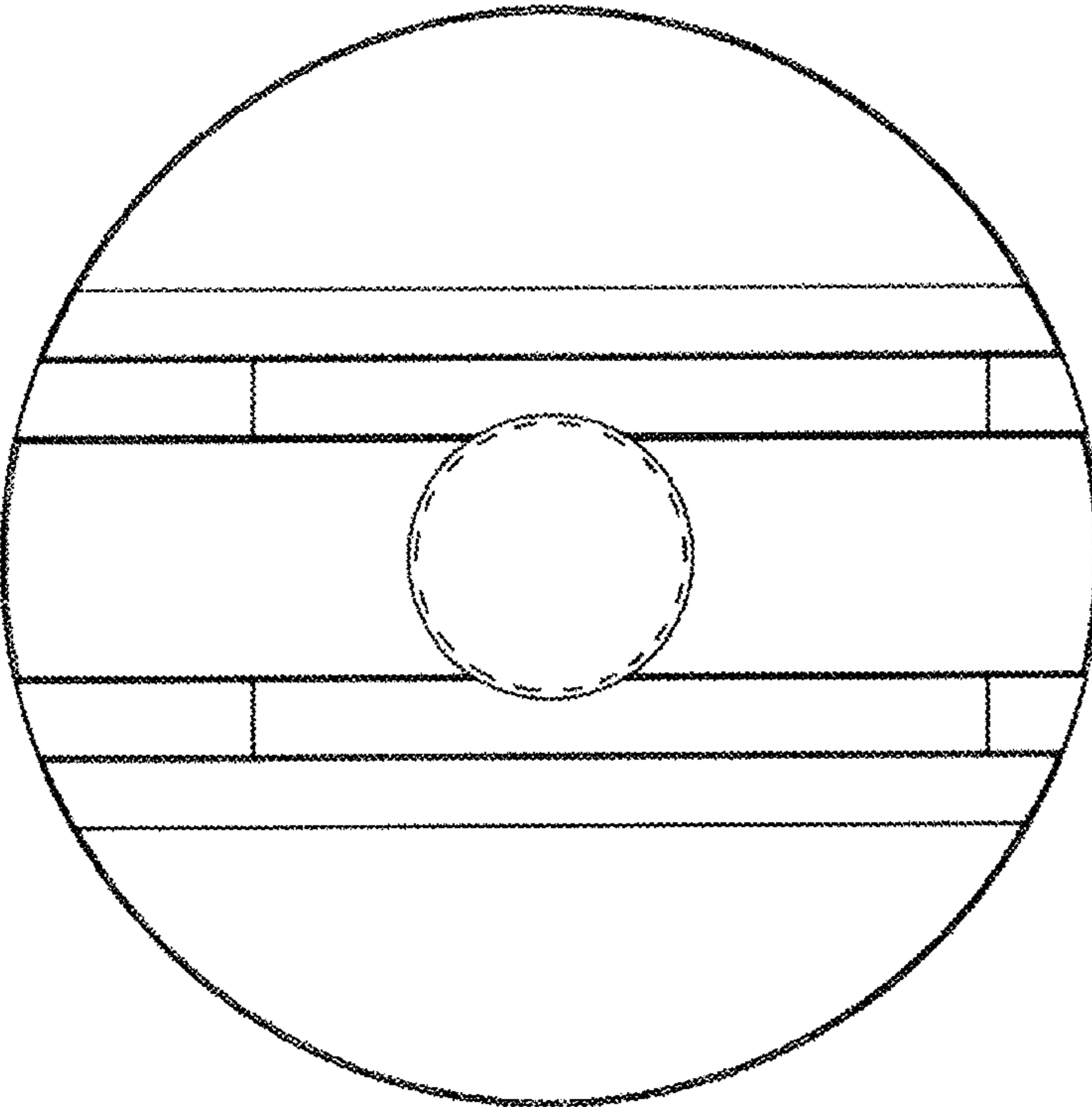


Fig. 6 REAR VIEW

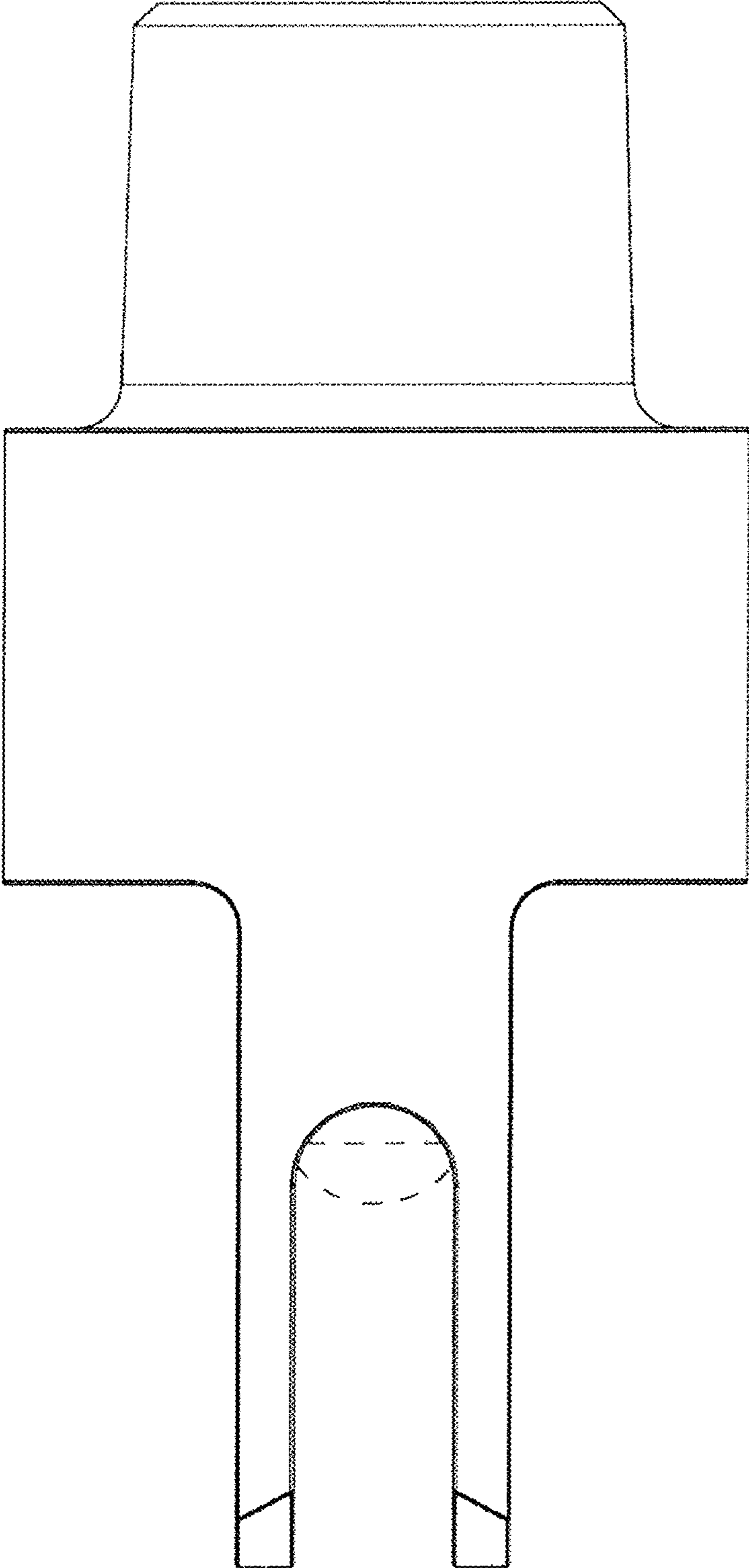


Fig. 7 TOP VIEW

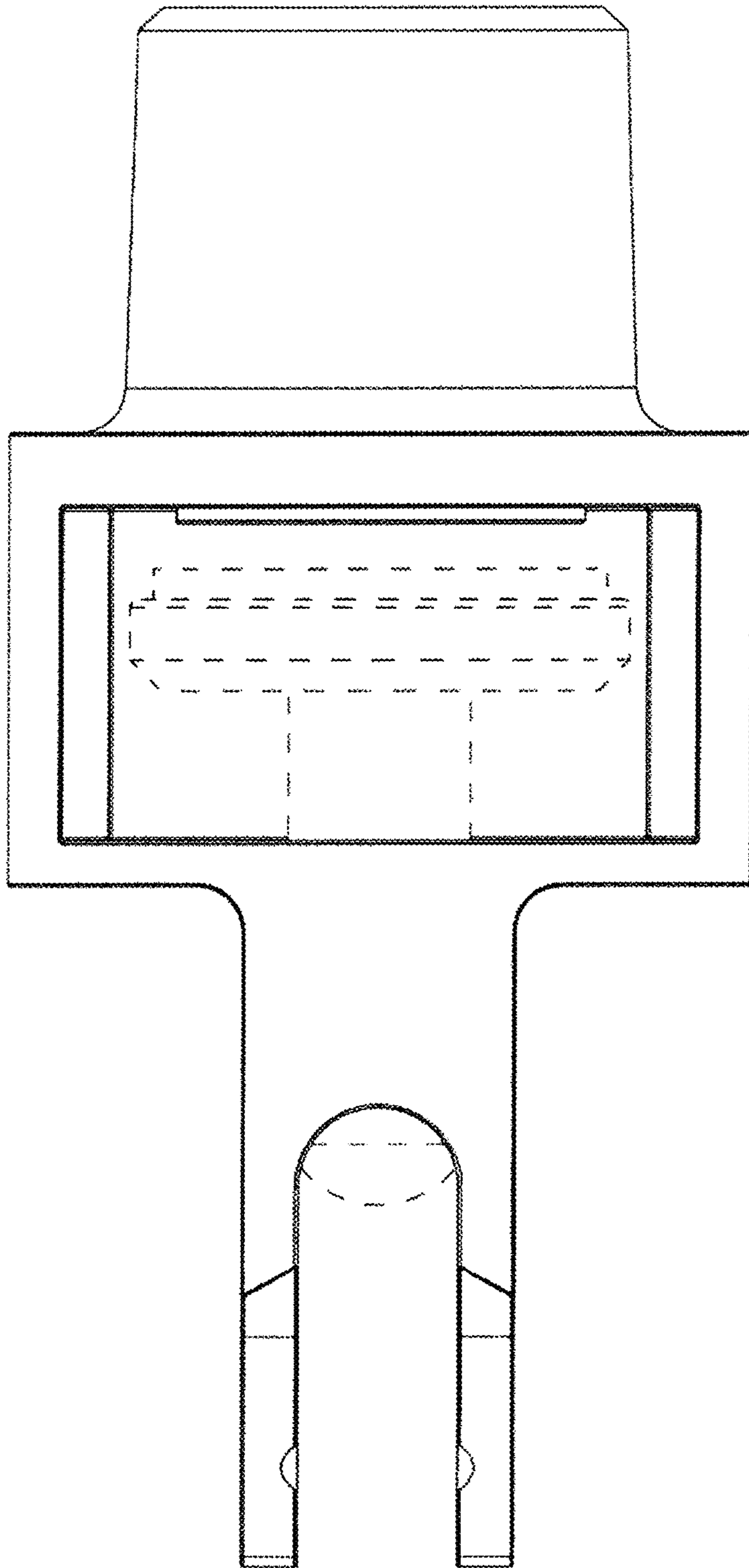


Fig. 8 BOTTOM VIEW