



US00D949879S

(12) **United States Design Patent** (10) **Patent No.:** **US D949,879 S**
Bello (45) **Date of Patent:** **** Apr. 26, 2022**

(54) **DISPLAY SCREEN OR PORTION THEREOF WITH GRAPHICAL USER INTERFACE**

(71) Applicant: **SEDAL, S.L.U.**, Sant Andreu de la Barca (ES)

(72) Inventor: **Rafael Bello**, Sant Andreu de la Barca (ES)

(73) Assignee: **SEDAL, S.L.U.**, Sant Andreu de la Barca (ES)

(**) Term: **15 Years**

(21) Appl. No.: **29/704,809**

(22) Filed: **Sep. 6, 2019**

(30) **Foreign Application Priority Data**

Mar. 7, 2019 (EM) 006286852

(51) **LOC (13) Cl.** **14-04**

(52) **U.S. Cl.**
USPC **D14/485**; D14/489

(58) **Field of Classification Search**
USPC D14/485-495
CPC G06F 3/048; G06F 3/0481; G06F 3/04812;
G06F 3/04817; G06F 3/0482; G06F
3/0483; G06F 3/0484; G06F 3/04847;
G06F 3/0485; G06F 3/04855; G06F
3/04886; G06Q 30/00; H03J 1/00; H03J
1/0008; H03J 1/0016; H03J 1/0025;
H04N 5/00; H04N 5/08; H04N 5/14;
H04N 5/222; H04N 5/225; H04N 5/232;
H04N 5/445;

(Continued)

(56) **References Cited**

U.S. PATENT DOCUMENTS

D709,080 S * 7/2014 Kim D14/486
D724,618 S * 3/2015 Shin D14/487

(Continued)

OTHER PUBLICATIONS

Nowak, Marcela. "Smart Tap." behance.net. Nov. 5, 2014. Retrieved Apr. 21, 2021 online at URL: <https://www.behance.net/gallery/21065183/Smart-Tap> (Year: 2014).*

(Continued)

Primary Examiner — Christian P. McLean

(74) *Attorney, Agent, or Firm* — Thomas E. Lees, LLC

(57) **CLAIM**

The ornamental design for a display screen or portion thereof with graphical user interface, as shown and described.

DESCRIPTION

FIG. 1 is a perspective view of a display screen or portion thereof with graphical user interface showing our new design;

FIG. 2 is a front view of a first image in a sequence of the design of FIG. 1, shown with the environment removed for clarity of disclosure;

FIG. 3 is a front view of a second image thereof;

FIG. 4 is a front view of a third image thereof;

FIG. 5 is a front view of a fourth image thereof;

FIG. 6 is a front view of a fifth image thereof;

FIG. 7 is a front view of a sixth image thereof;

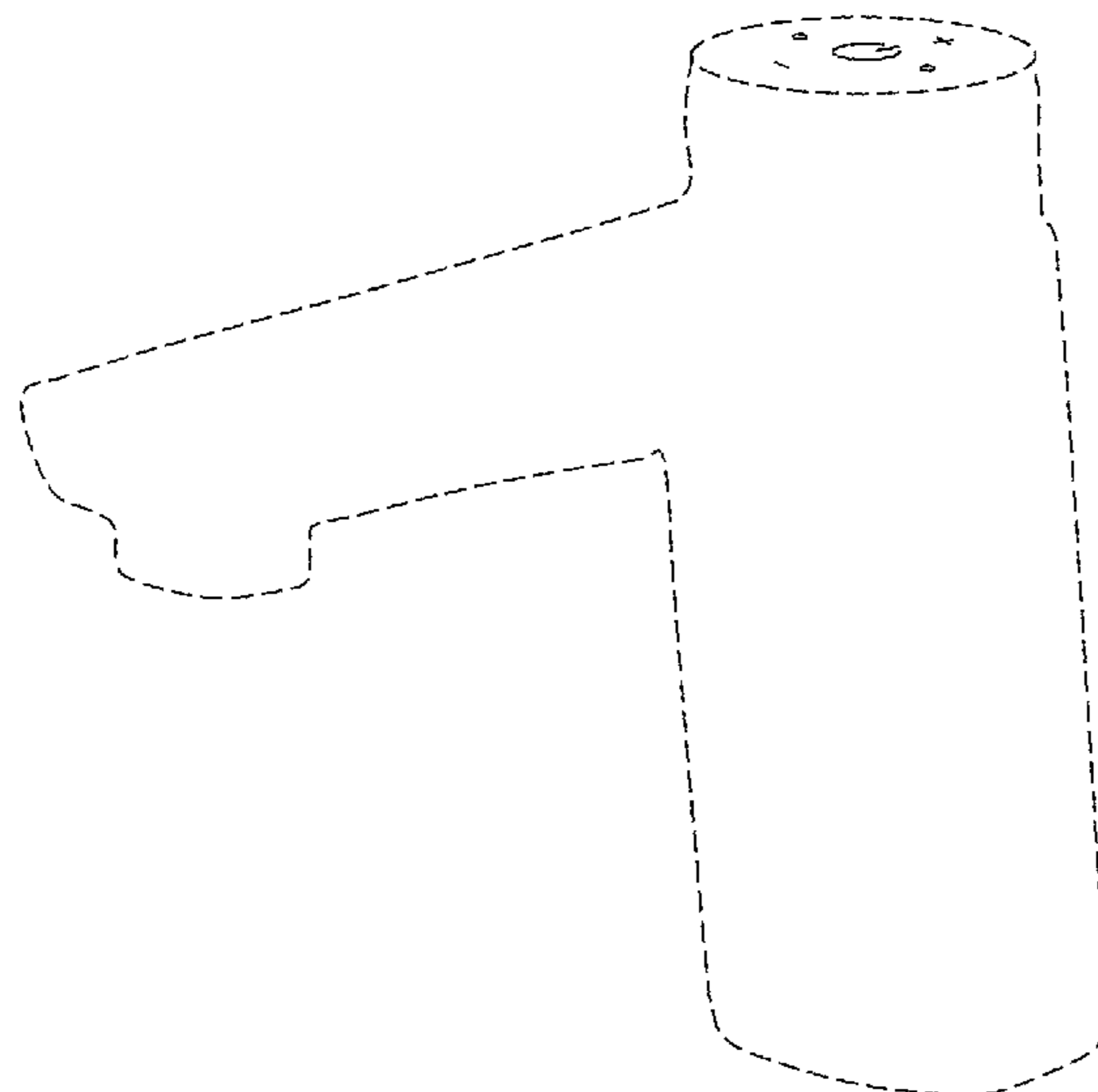
FIG. 8 is a front view of a seventh image thereof; and,

FIG. 9 is a front view of an eight image thereof.

The appearance of the transitional image transitions between the images shown in FIGS. 2-9 responsive to user interaction. The process or period in which one image transitions to another image forms no part of the claimed design.

The outermost broken lines in FIG. 1 show the environment of the design and form no part of the claim. The remaining broken lines in the FIGURES illustrate a display screen or portion thereof and portions of the graphical user interface that form no part of the claimed design.

1 Claim, 9 Drawing Sheets



(58) **Field of Classification Search**

CPC H04N 5/44543; H04N 5/45; H04N
 2005/44517; H04N 2005/44521; H04N
 2005/44526; H04N 2005/4453; H04N
 2005/44534; H04N 2005/44539; H04N
 2005/44547; H04N 2005/44556; H04N
 2005/4456; H04N 2005/44565; H04N
 2005/44569; H04N 2005/44573; H04N
 21/00; H04N 21/234; H04N 21/431;
 H04N 21/4312; H04N 21/4314; H04N
 21/4316; H04N 21/4532; H04N 21/4622;
 H04N 21/47; H04N 21/478; H04N
 21/482; H04N 21/4884; H04N 21/4888;
 H04N 21/4856; H04N 21/485; H04N
 21/6547

See application file for complete search history.

(56)

References Cited

U.S. PATENT DOCUMENTS

D733,184 S * 6/2015 Park D14/490
 D756,370 S * 5/2016 Arriola D14/485
 D762,661 S * 8/2016 Mushikabe D14/485
 D764,513 S * 8/2016 Kim D14/486

D773,510 S * 12/2016 Foss D14/486
 D799,498 S * 10/2017 Graham D14/485
 D800,140 S * 10/2017 Lee D14/485
 D813,904 S * 3/2018 Okutsu D14/488
 D823,863 S * 7/2018 Wang D14/485
 D832,722 S * 11/2018 Farenski D10/50
 D835,139 S * 12/2018 Li D14/486
 D844,015 S * 3/2019 Meng D14/485
 D866,580 S * 11/2019 Mazz D14/486
 D881,913 S * 4/2020 Harry D14/486
 D890,108 S * 7/2020 Seo D13/168
 D892,859 S * 8/2020 Wheeler D14/489
 D893,533 S * 8/2020 Wheeler D14/486
 D904,438 S * 12/2020 Zhang D14/486
 D905,091 S * 12/2020 Henry D14/487
 D931,296 S * 9/2021 Chavez D14/485
 D936,676 S * 11/2021 Cummings D14/486

OTHER PUBLICATIONS

McLean, Christian P.; Office action for U.S. Appl. No. 29/704,803, United States Patent and Trademark Office; Alexandria, VA; notification date Apr. 26, 2021.

Sorrel, Charlie; "Touch-Screen Faucet is a Scary Mix", wired.com. Feb. 11, 2011. Retrieved Apr. 21, 2021 online at URL: <https://www.wired.com/2011/02/touch-screen-faucet-is-a-scary-mix/>; 2011.

* cited by examiner

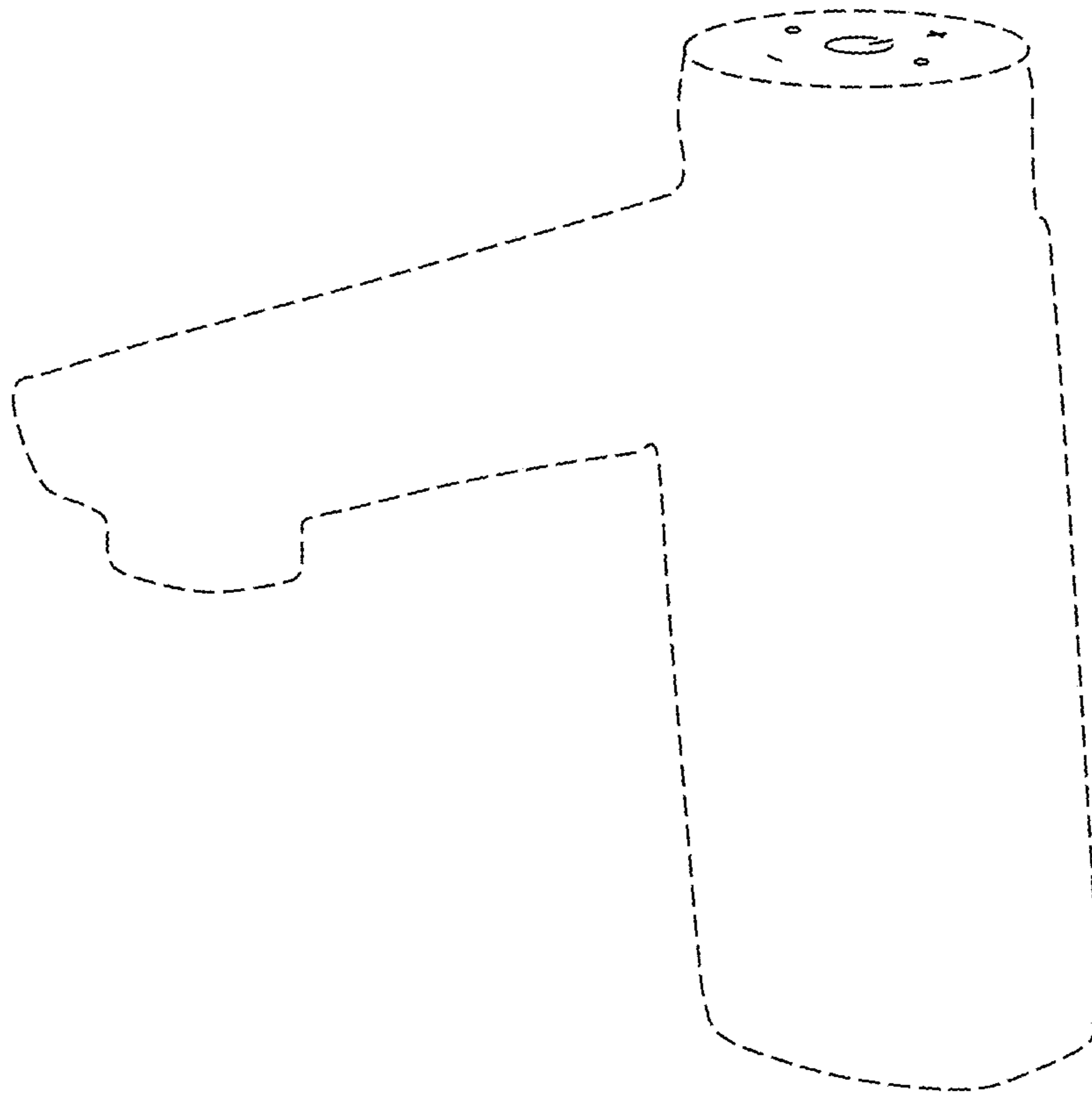


FIG. 1

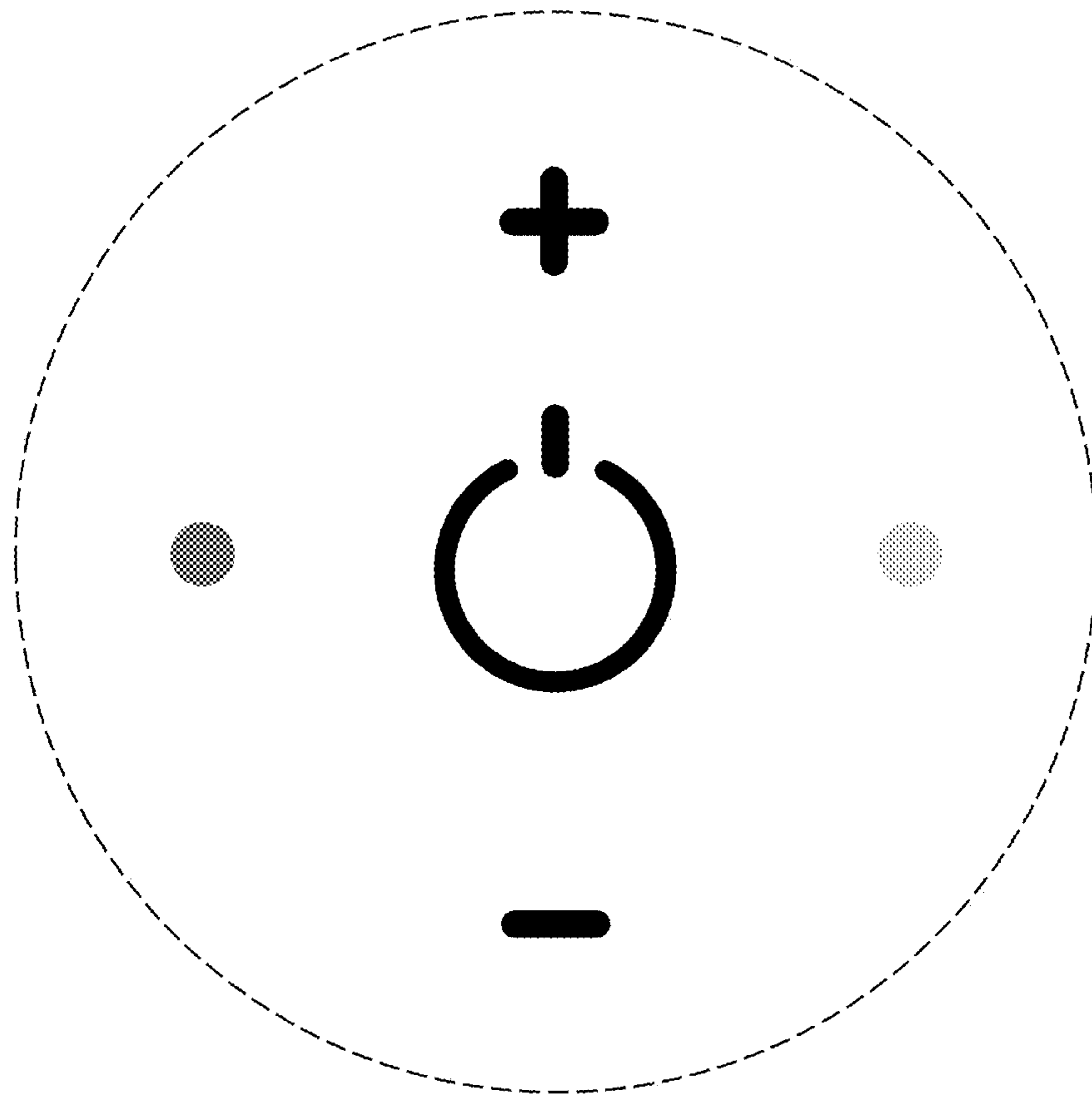


FIG. 2

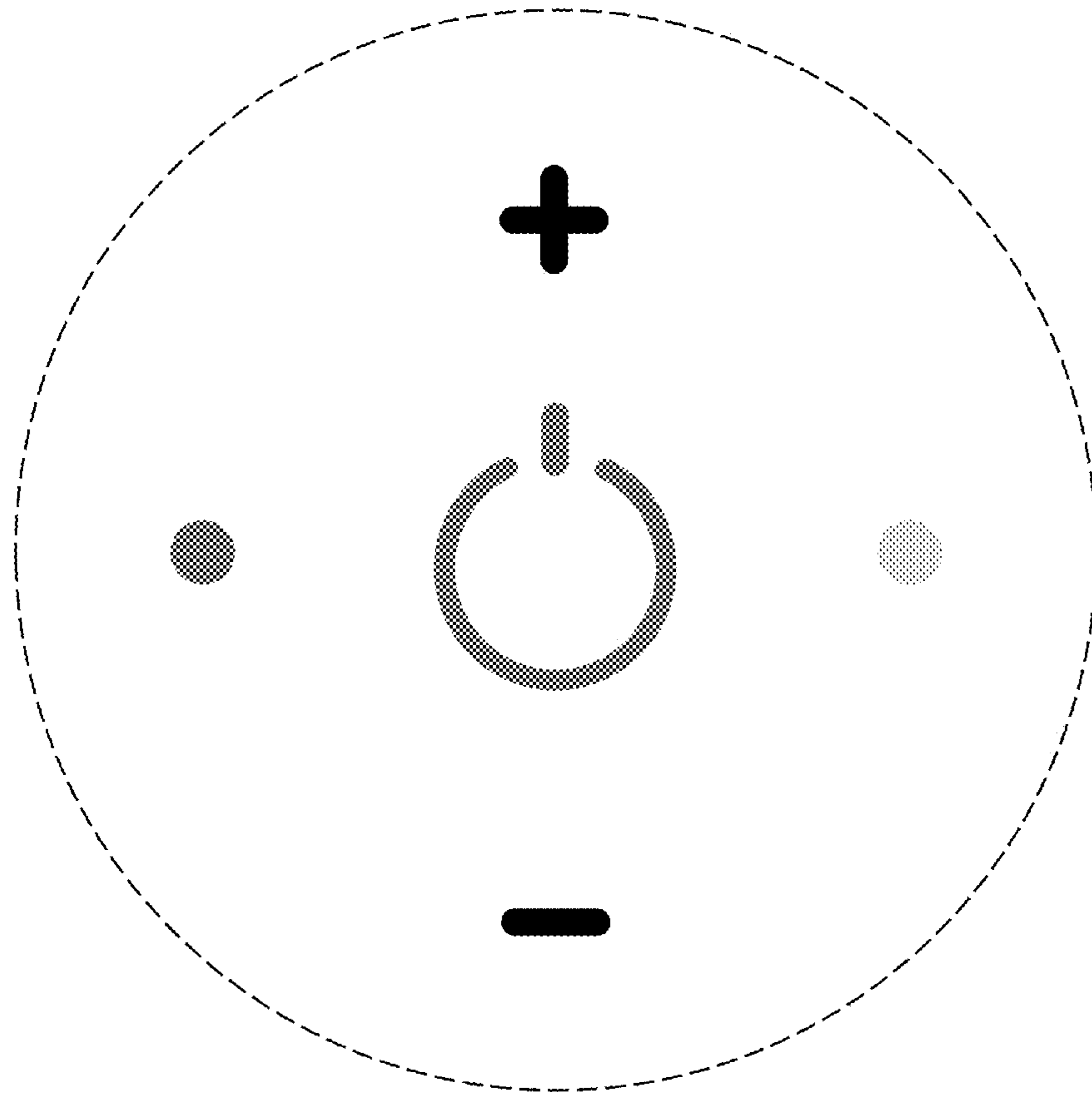


FIG. 3

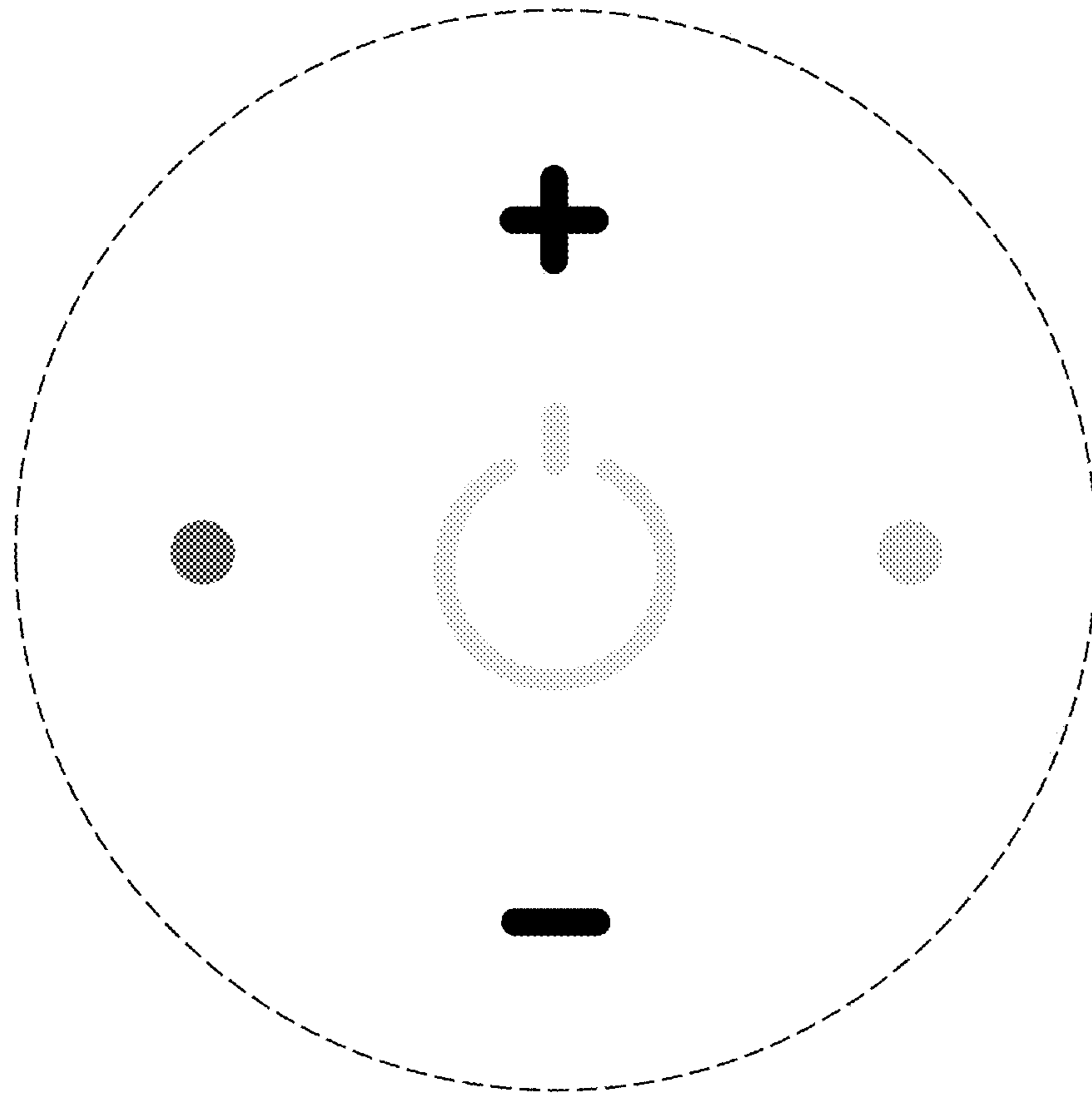


FIG. 4

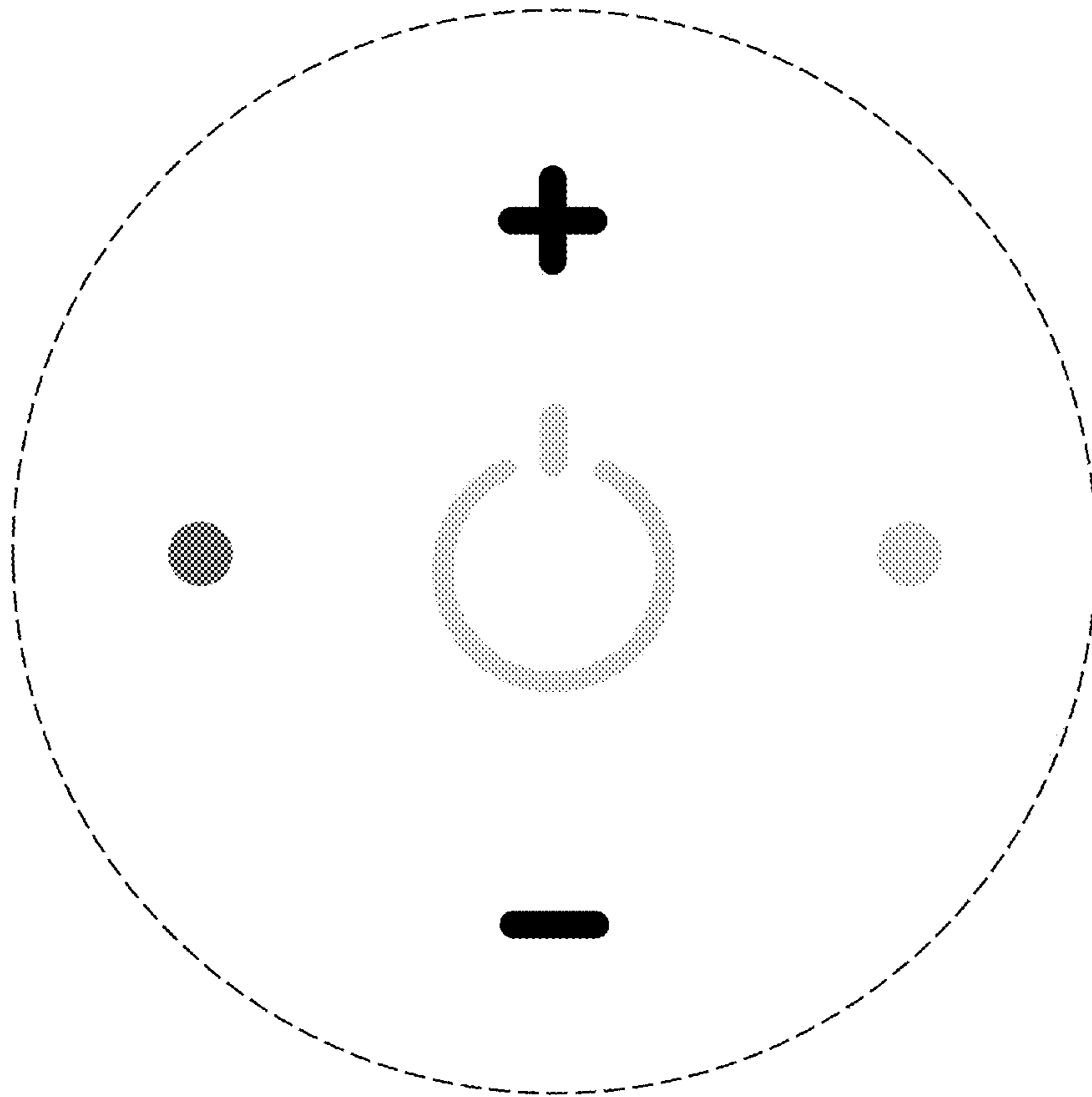


FIG. 5

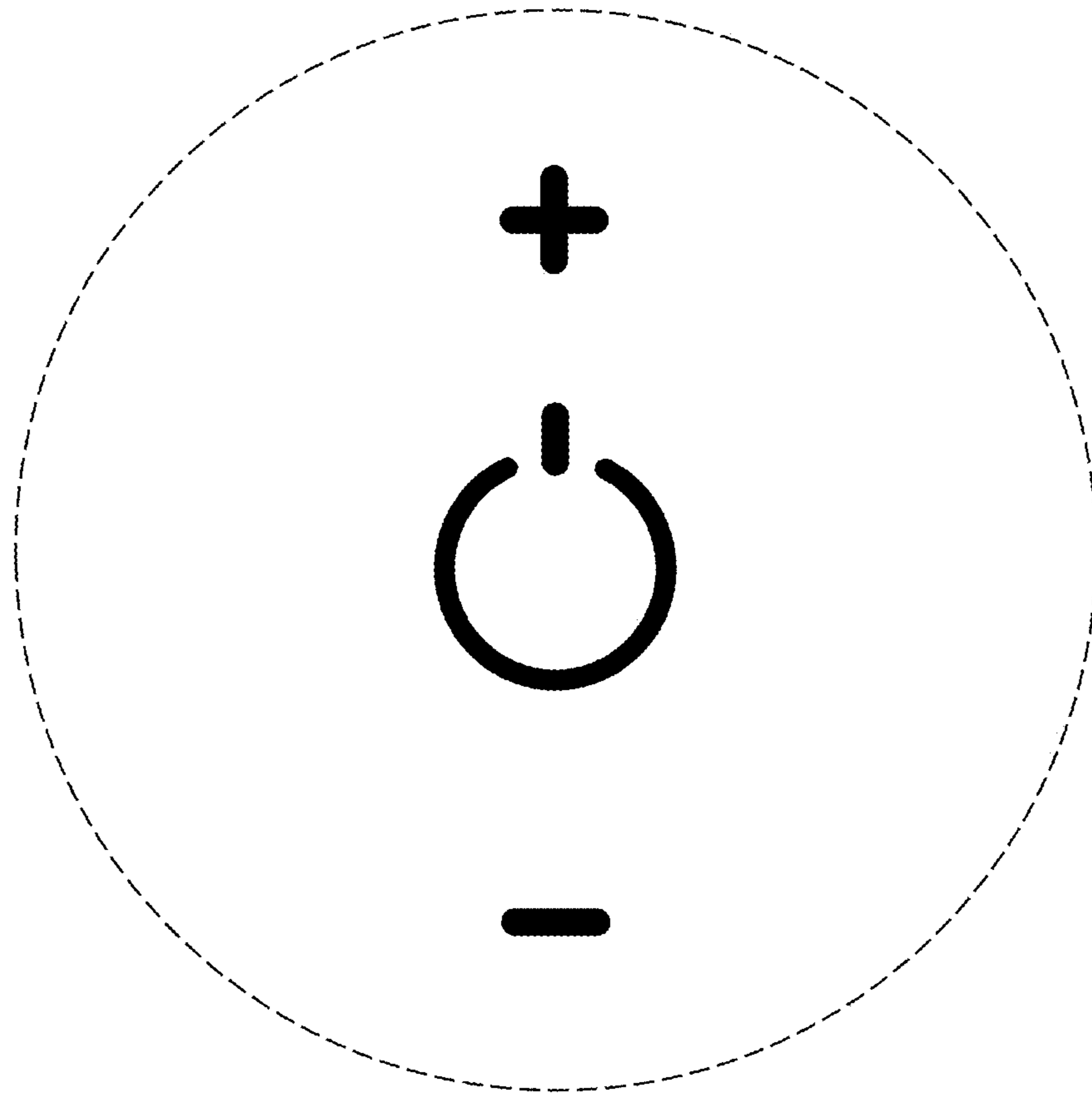


FIG. 6

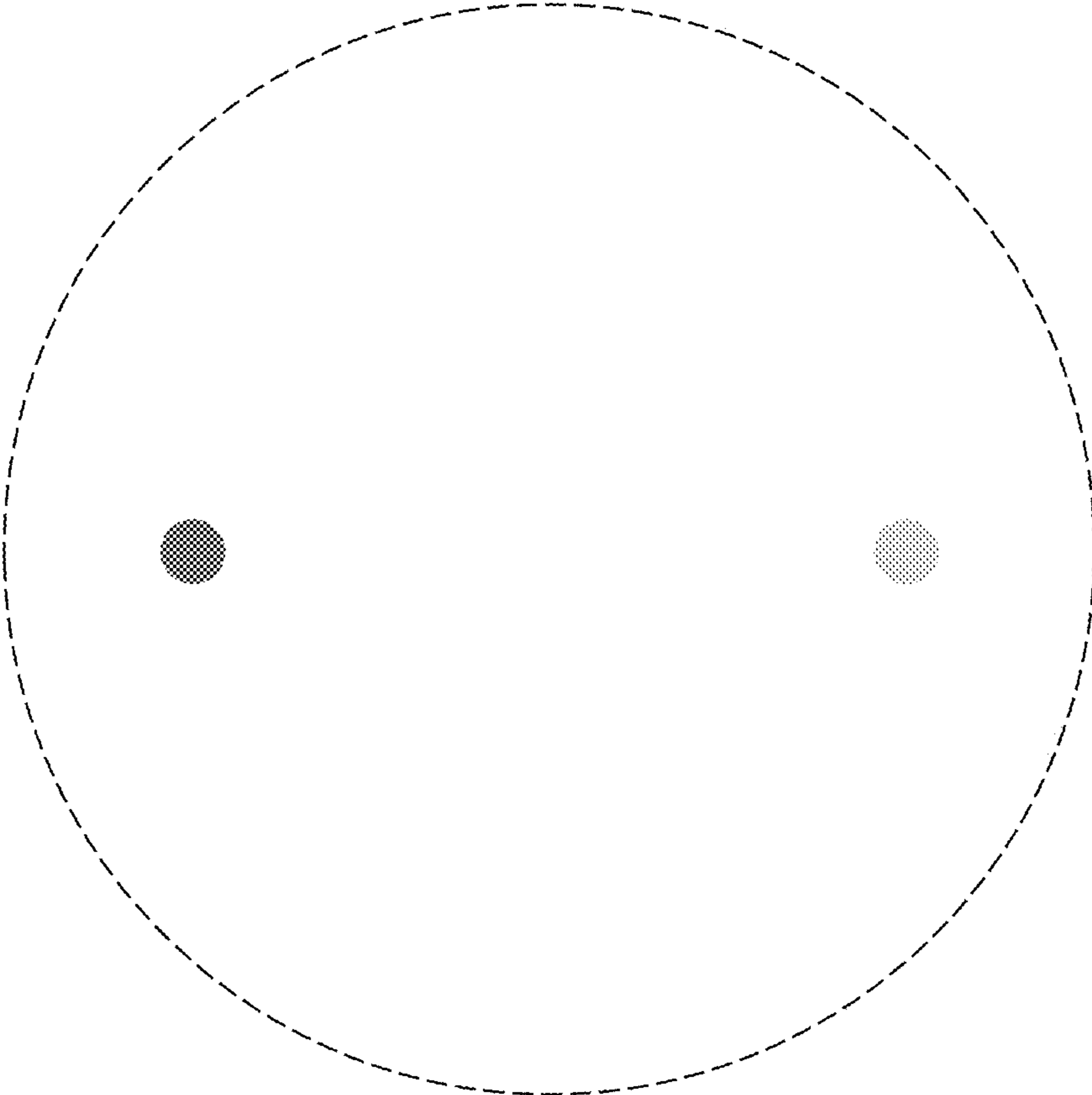


FIG. 7

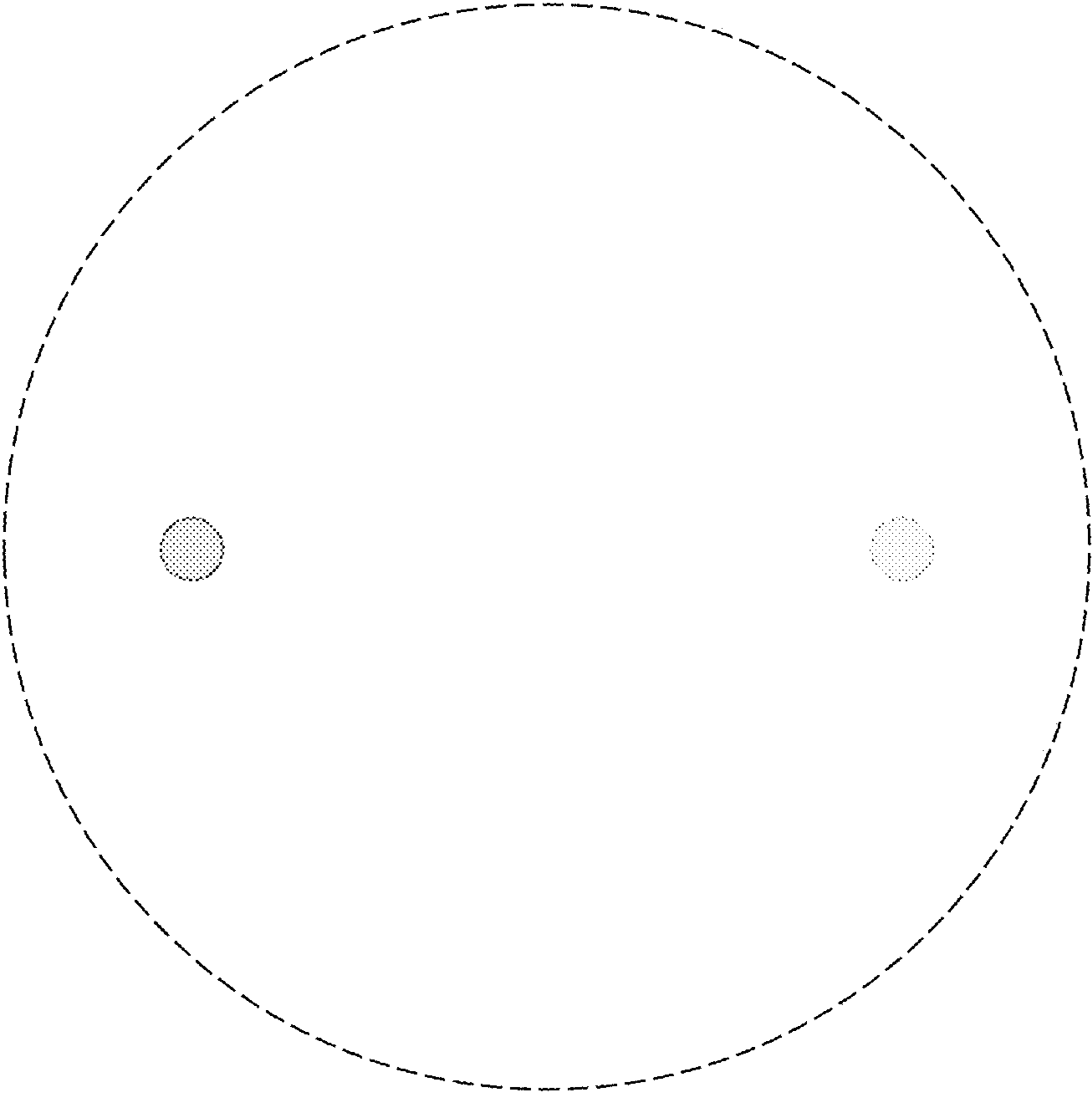


FIG. 8

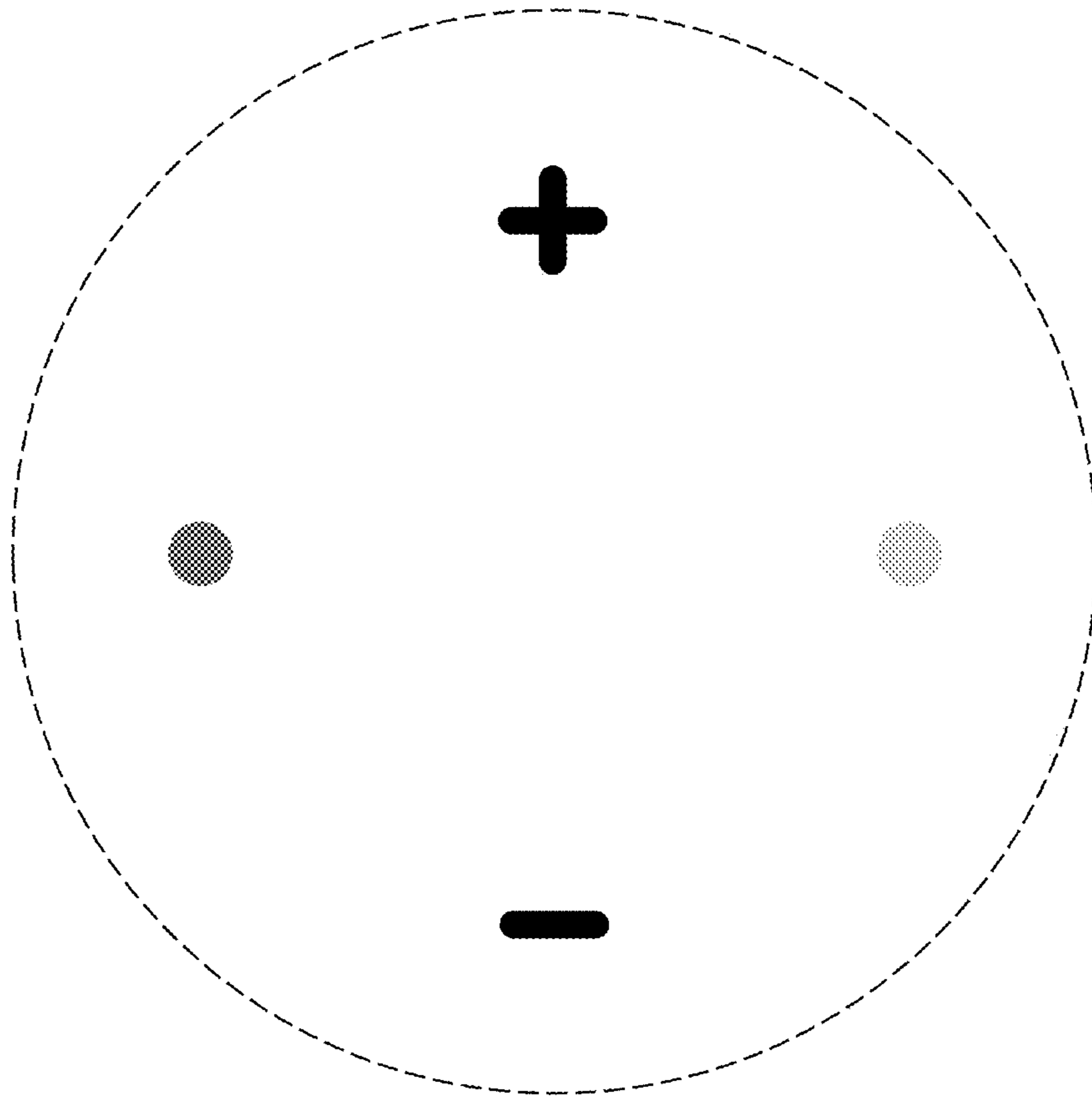


FIG. 9