

US00D949875S

(12) **United States Design Patent**
Wu

(10) **Patent No.:** **US D949,875 S**

(45) **Date of Patent:** **** Apr. 26, 2022**

(54) **USB FLASH DRIVE**

(71) Applicant: **SMARTQ INC.**, Philadelphia, PA (US)

(72) Inventor: **Hui Pin Wu**, Philadelphia, PA (US)

(73) Assignee: **SMARTQ INC.**, Philadelphia, PA (US)

(**) Term: **15 Years**

(21) Appl. No.: **29/752,263**

(22) Filed: **Sep. 25, 2020**

(51) **LOC (13) Cl.** **14-02**

(52) **U.S. Cl.**
USPC **D14/480.1**

(58) **Field of Classification Search**
USPC D14/480.1–480.7, 435.1, 411, 433, 436,
D14/484.1, 137, 155, 203.1–203.8, 240,
D14/242, 496, 474; D13/133, 154
CPC H05K 5/0278; G06K 19/07732
See application file for complete search history.

(56) **References Cited**

U.S. PATENT DOCUMENTS

D511,344 S *	11/2005	Takei	D14/480.6
D514,103 S *	1/2006	Huang	D14/480.6
D545,311 S *	6/2007	Wai	D14/480.7
D559,249 S *	1/2008	Takei	D14/480.6
D587,265 S *	2/2009	Maiers	D14/480.6
D588,147 S *	3/2009	Finlayson	D14/480.5

D599,795 S *	9/2009	Lindley	D14/240
D606,999 S *	12/2009	He	D14/480.7
D618,694 S *	6/2010	Andre	D14/480.6
D694,223 S *	11/2013	Wells	D14/242
D839,273 S *	1/2019	He	D14/435.1
D868,076 S *	11/2019	Huang	D14/480.1
D910,623 S *	2/2021	Cueto	D14/240

* cited by examiner

Primary Examiner — Angela J Lee

(74) *Attorney, Agent, or Firm* — Bradley J. Thorson;
DeWitt LLP

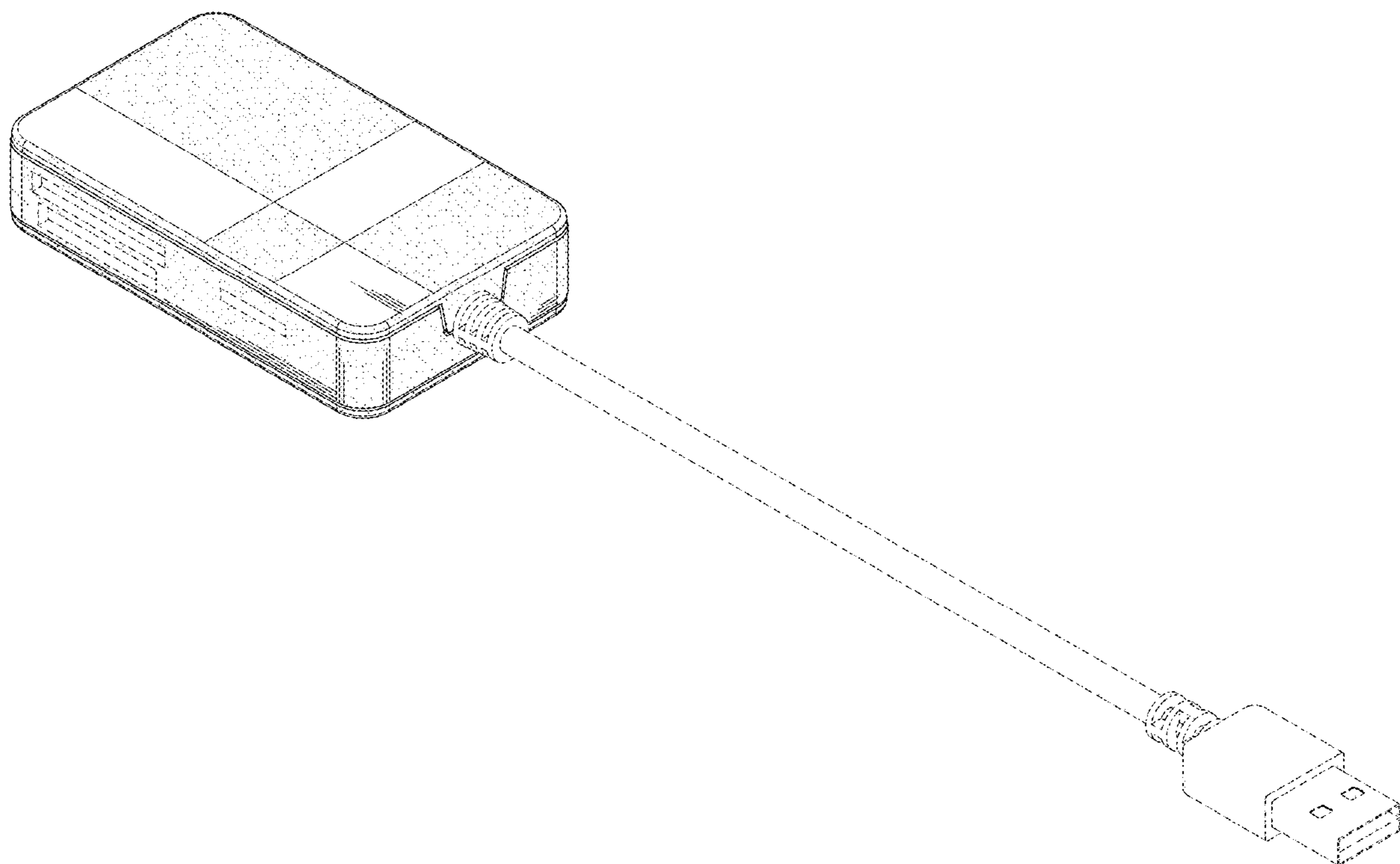
(57) **CLAIM**

The ornamental design for a USB flash drive, as shown and described.

DESCRIPTION

FIG. 1 is a perspective view of a USB flash drive showing my new design;
FIG. 2 is a front elevational view thereof;
FIG. 3 is a rear elevational view thereof;
FIG. 4 is a left side elevation view thereof;
FIG. 5 is a right side elevation view thereof;
FIG. 6 is a top plan view thereof;
FIG. 7 is a bottom plan view thereof; and,
FIG. 8 is a perspective view in use thereof.
The broken lines shown in the drawings represent portions of the USB flash drive that form no part of the claimed design.

1 Claim, 4 Drawing Sheets



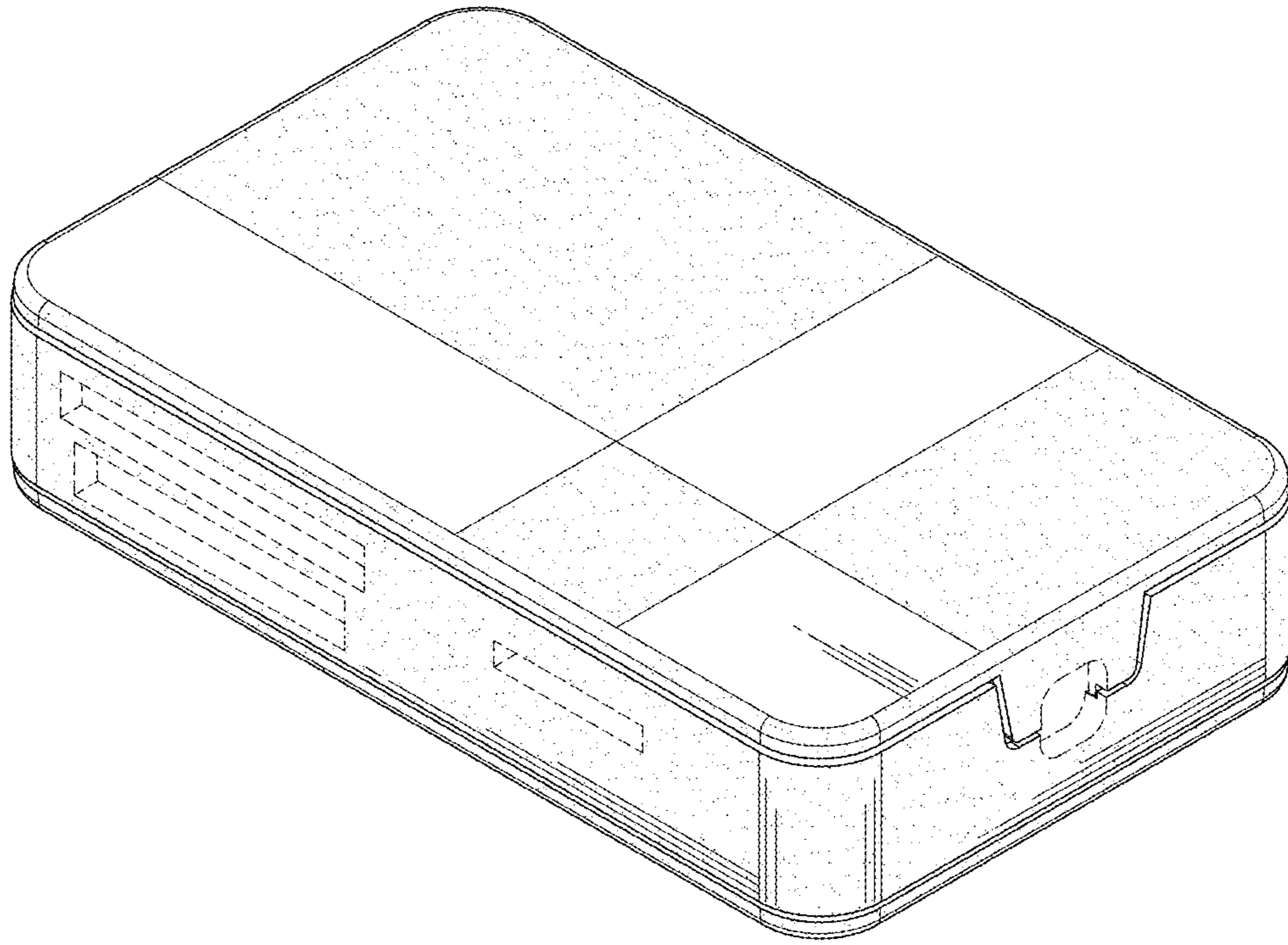


FIG. 1

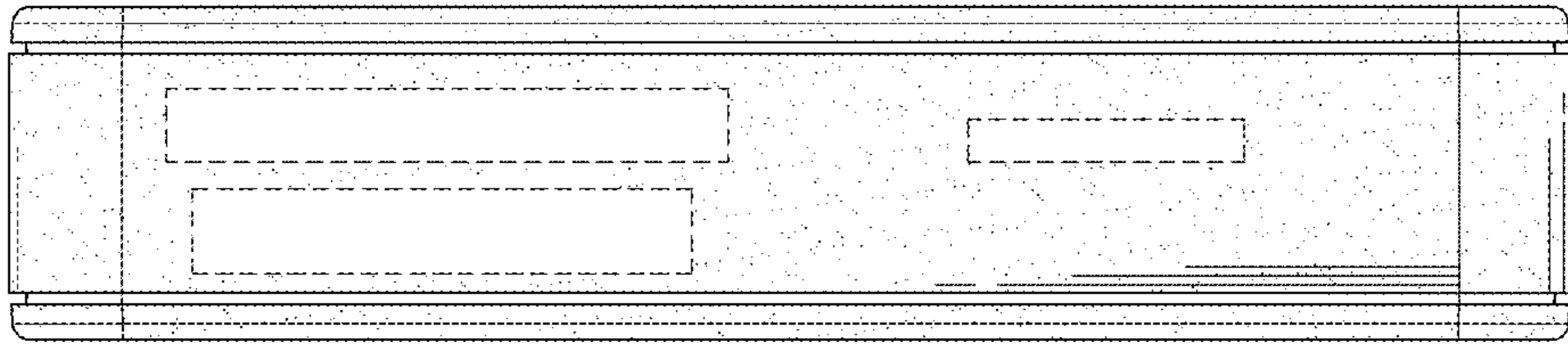


FIG. 2

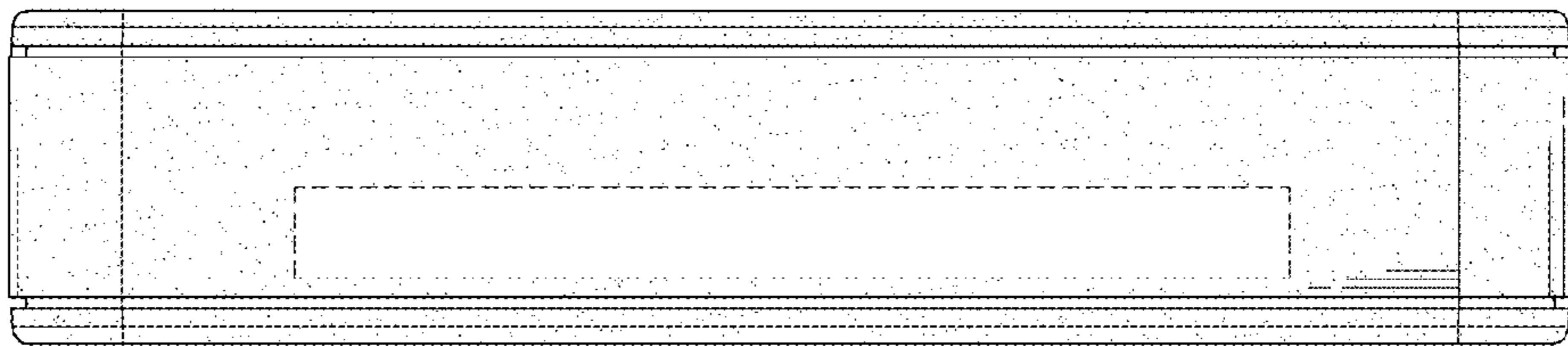


FIG. 3

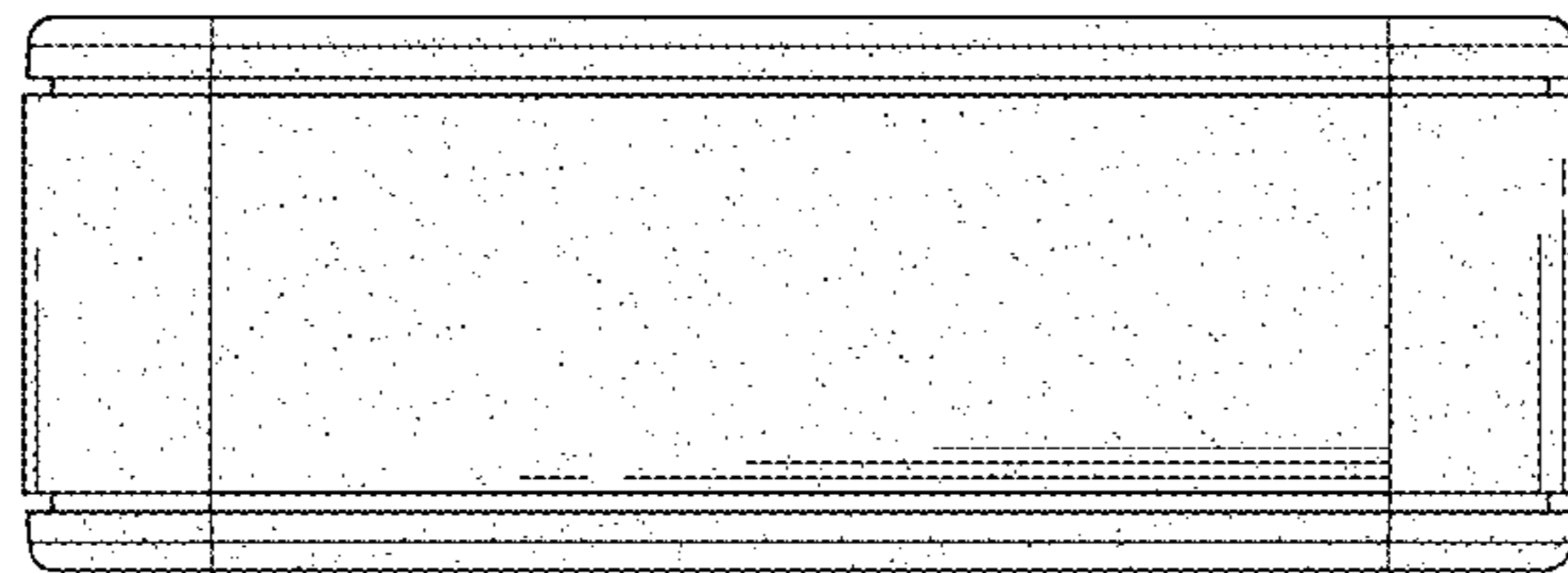


FIG. 4

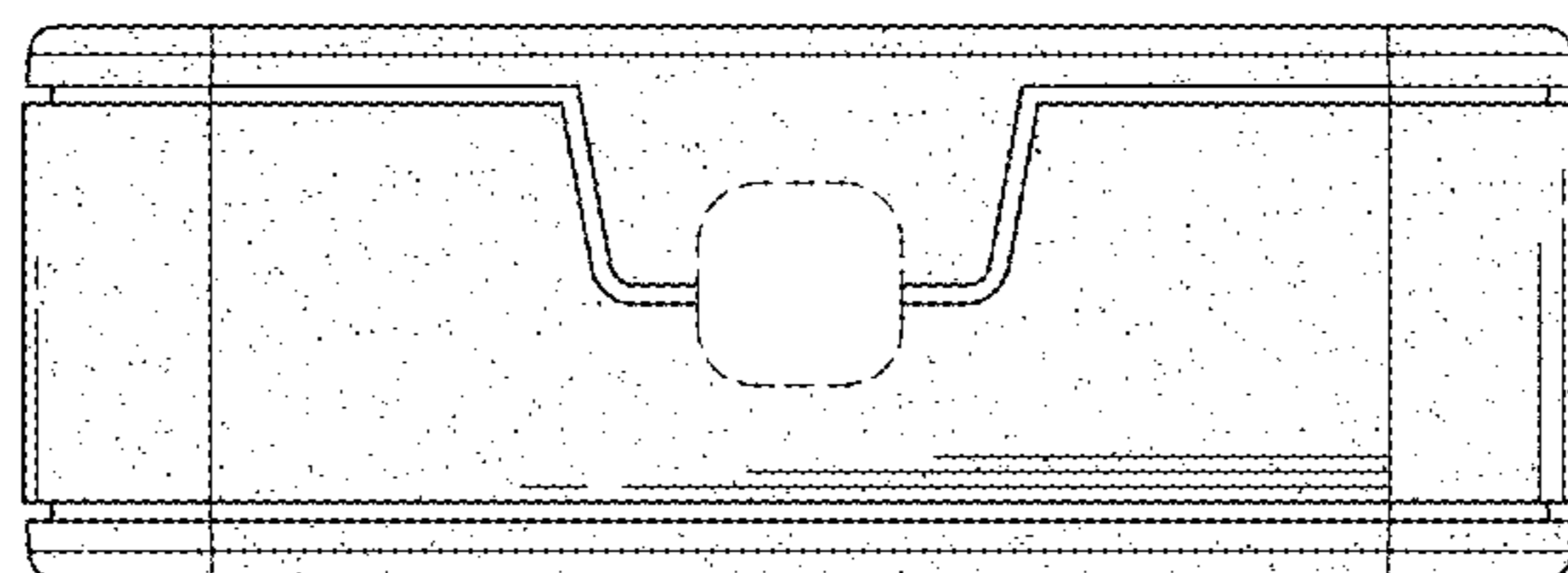


FIG. 5

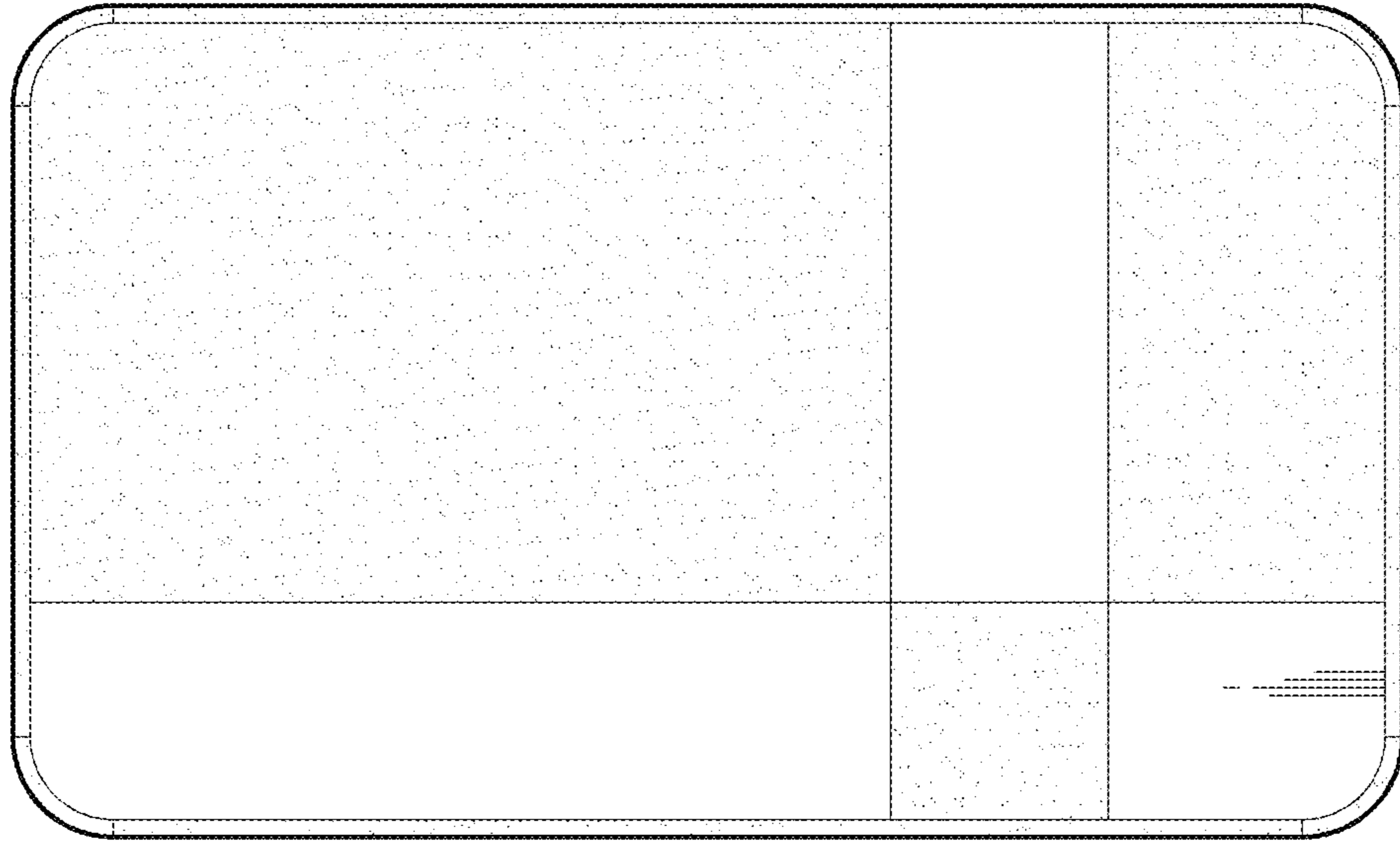


FIG. 6

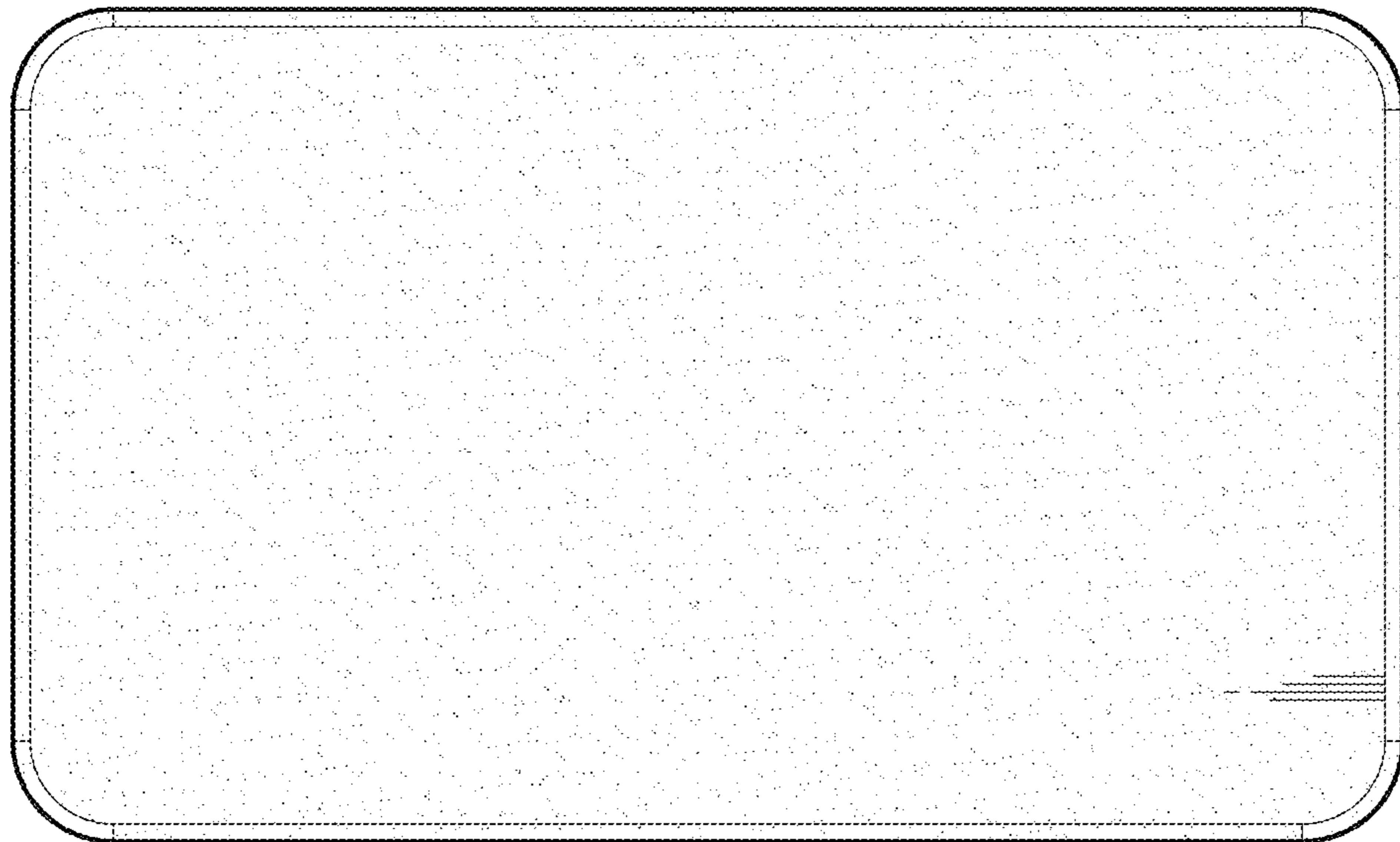


FIG. 7

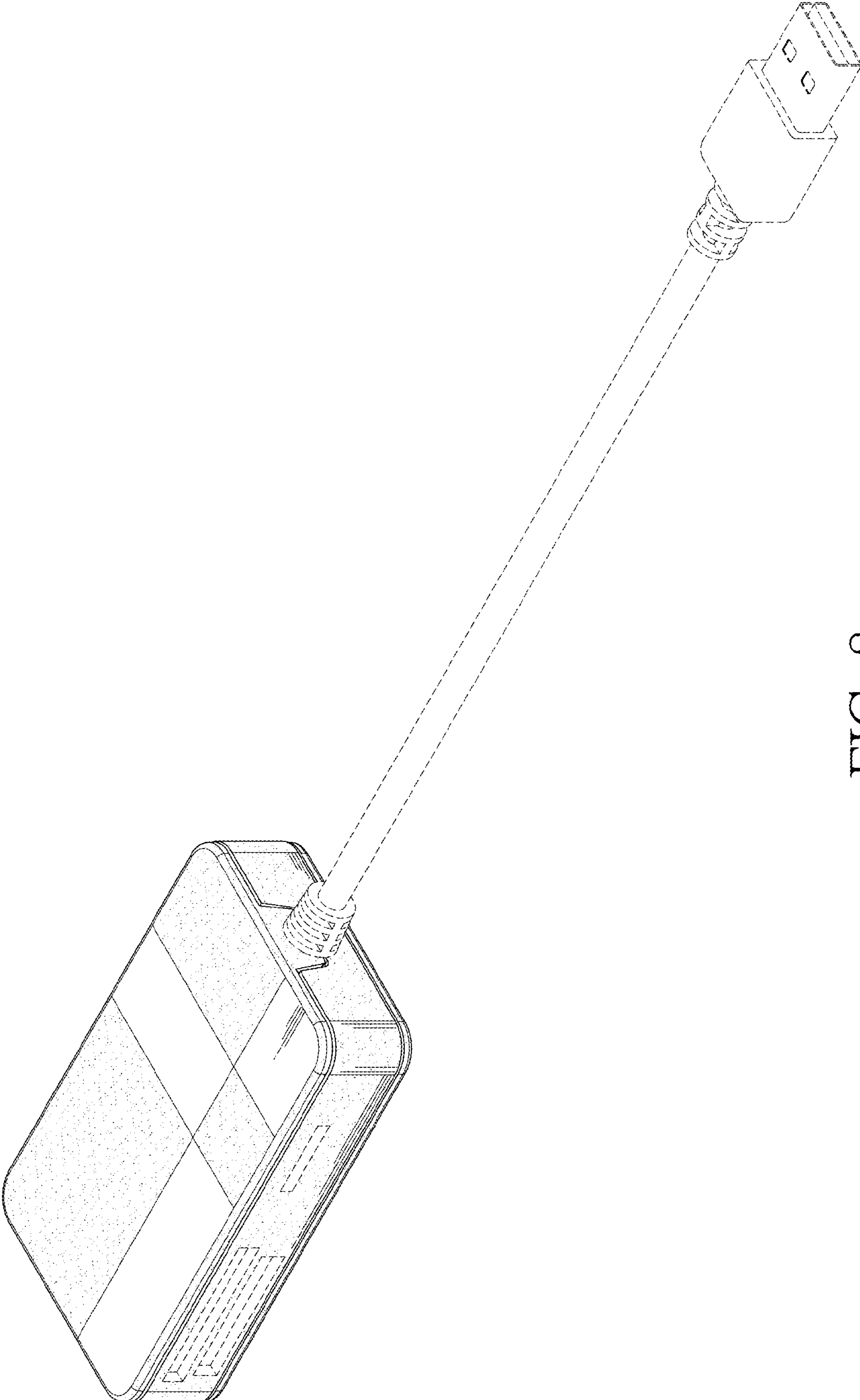


FIG. 8