



US00D949874S

(12) **United States Design Patent** (10) **Patent No.:** **US D949,874 S**
You (45) **Date of Patent:** **** Apr. 26, 2022**

- (54) **MONITOR ARM**
- (71) Applicant: **Ningbo Ergovida Health Technology Ltd., Ningbo (CN)**
- (72) Inventor: **Xiaodong You, Ningbo (CN)**
- (73) Assignee: **Ningbo Ergovida Health Technology Ltd., Ningbo (CN)**
- (**) Term: **15 Years**
- (21) Appl. No.: **29/728,910**
- (22) Filed: **Mar. 23, 2020**
- (51) **LOC (13) Cl.** **14-02**
- (52) **U.S. Cl.**
USPC **D14/452; D14/451**
- (58) **Field of Classification Search**
USPC D14/451-452; D8/380, 373, 352, 354,
D8/363, 349; D12/415; D23/304
CPC F16M 11/2085; F16M 11/2092; F16M
11/2007; F16M 11/2014; F16M 11/2021;
F16M 11/2028; F16M 11/2035; F16M
11/2042; F16M 11/205; F16M 11/2057;
F16M 11/2064; F16M 11/2071; F16M
11/2078; G06F 1/1616
See application file for complete search history.

- (56) **References Cited**
U.S. PATENT DOCUMENTS
D555,657 S * 11/2007 Loyd D14/452
D557,125 S * 12/2007 Worrall D14/452
D598,917 S * 8/2009 Luber D14/375
D631,052 S * 1/2011 Hung D14/452
D654,503 S * 2/2012 Sapper D14/452
D666,207 S * 8/2012 Brandt D14/452
D679,282 S * 4/2013 Liu D14/452
D688,674 S * 8/2013 Lau D14/452
D740,830 S * 10/2015 Chu D14/452
D745,873 S * 12/2015 Xiang D14/452

- D751,566 S * 3/2016 Anderson D14/452
- D762,652 S * 8/2016 Dorre D14/452
- D796,519 S * 9/2017 Hung D14/452
- D805,085 S * 12/2017 Xiang D14/452
- D807,373 S * 1/2018 Thetard D14/452
- D815,105 S * 4/2018 Jung D14/452
- D815,643 S * 4/2018 Bowman D14/452
- D822,671 S * 7/2018 Chu D14/452
- D830,371 S * 10/2018 Lau D14/452
- D834,030 S * 11/2018 Lindo D14/452
- D842,306 S * 3/2019 Lindo D14/452
- D843,379 S * 3/2019 Lindo D14/452
- D843,380 S * 3/2019 Lindo D14/452
- D847,823 S * 5/2019 Monsalve D14/452
- D848,444 S * 5/2019 Jung D14/452
- D849,013 S * 5/2019 Monsalve D14/452
- D877,744 S * 3/2020 Xiang D14/452

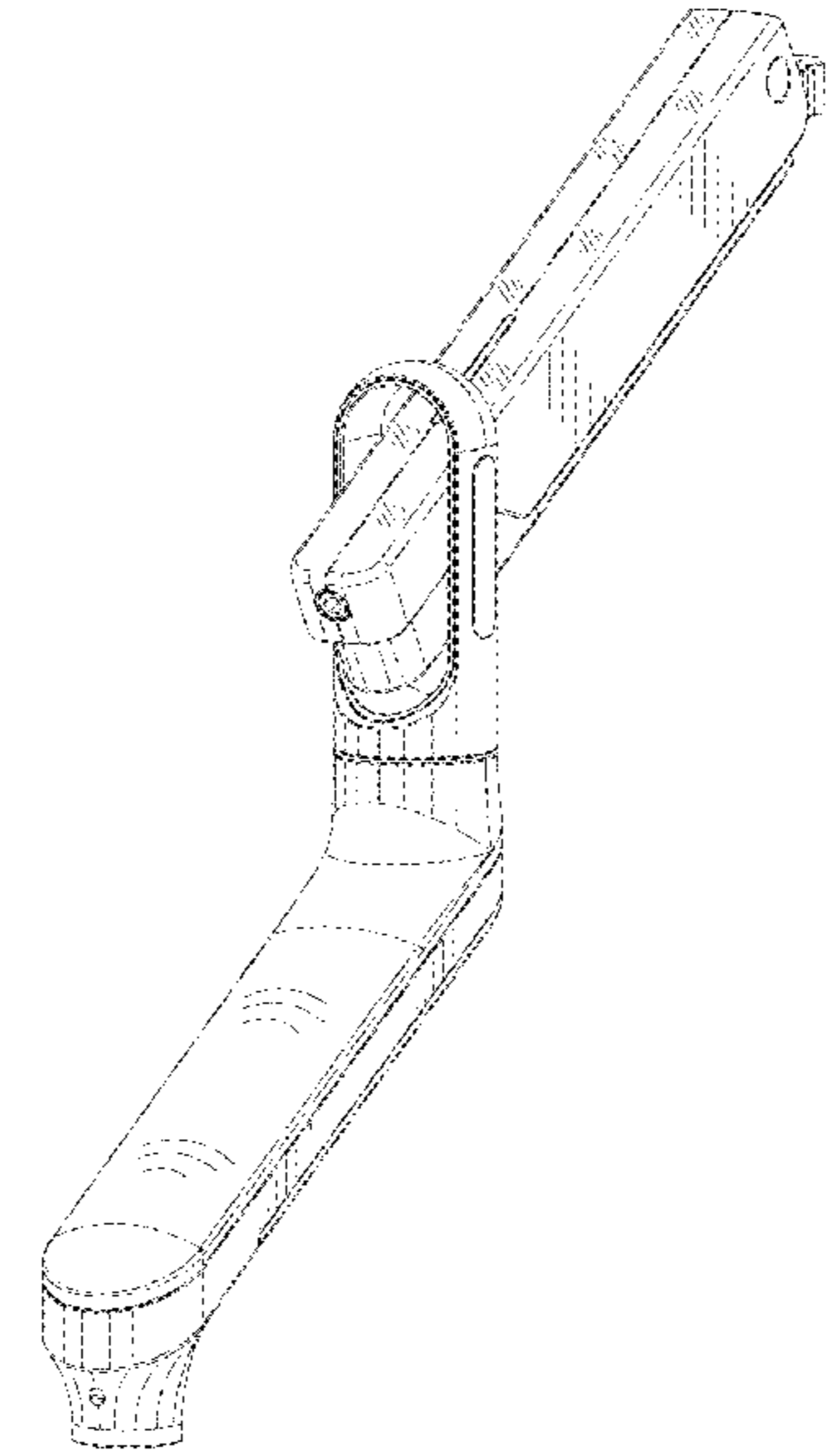
(Continued)

Primary Examiner — Christian P. McLean
Assistant Examiner — Kourosh Taie-Tehrani
(74) *Attorney, Agent, or Firm* — Knobbe Martens Olson & Bear LLP

(57) **CLAIM**
The ornamental design for a monitor arm, as shown and described.

DESCRIPTION
FIG. 1 is a perspective view of the monitor arm embodying the new design;
FIG. 2 is a left side view thereof;
FIG. 3 is a right side view thereof;
FIG. 4 is a back view thereof;
FIG. 5 is a front view thereof;
FIG. 6 is a top view thereof;
FIG. 7 is a bottom view thereof; and,
FIG. 8 is another perspective view thereof, further illustrating monitor and desk attachment mechanisms.
Broken lines are used to illustrate features of the monitor arm that form no part of the claimed design.

1 Claim, 7 Drawing Sheets



(56)

References Cited

U.S. PATENT DOCUMENTS

| | | | |
|--------------|--------|-------------|---------|
| D896,817 S * | 9/2020 | McKay | D14/452 |
| D916,709 S * | 4/2021 | Hung | D14/452 |
| D918,218 S * | 5/2021 | Lyu | D14/452 |
| D919,631 S * | 5/2021 | Shu | D14/452 |
| D920,988 S * | 6/2021 | Shu | D14/452 |
| D921,645 S * | 6/2021 | Shu | D14/452 |
| D922,394 S * | 6/2021 | Lu | D14/452 |
| D926,196 S * | 7/2021 | Lyu | D14/452 |
| D926,776 S * | 8/2021 | You | D14/452 |
| D928,793 S * | 8/2021 | Shu | D14/452 |

* cited by examiner

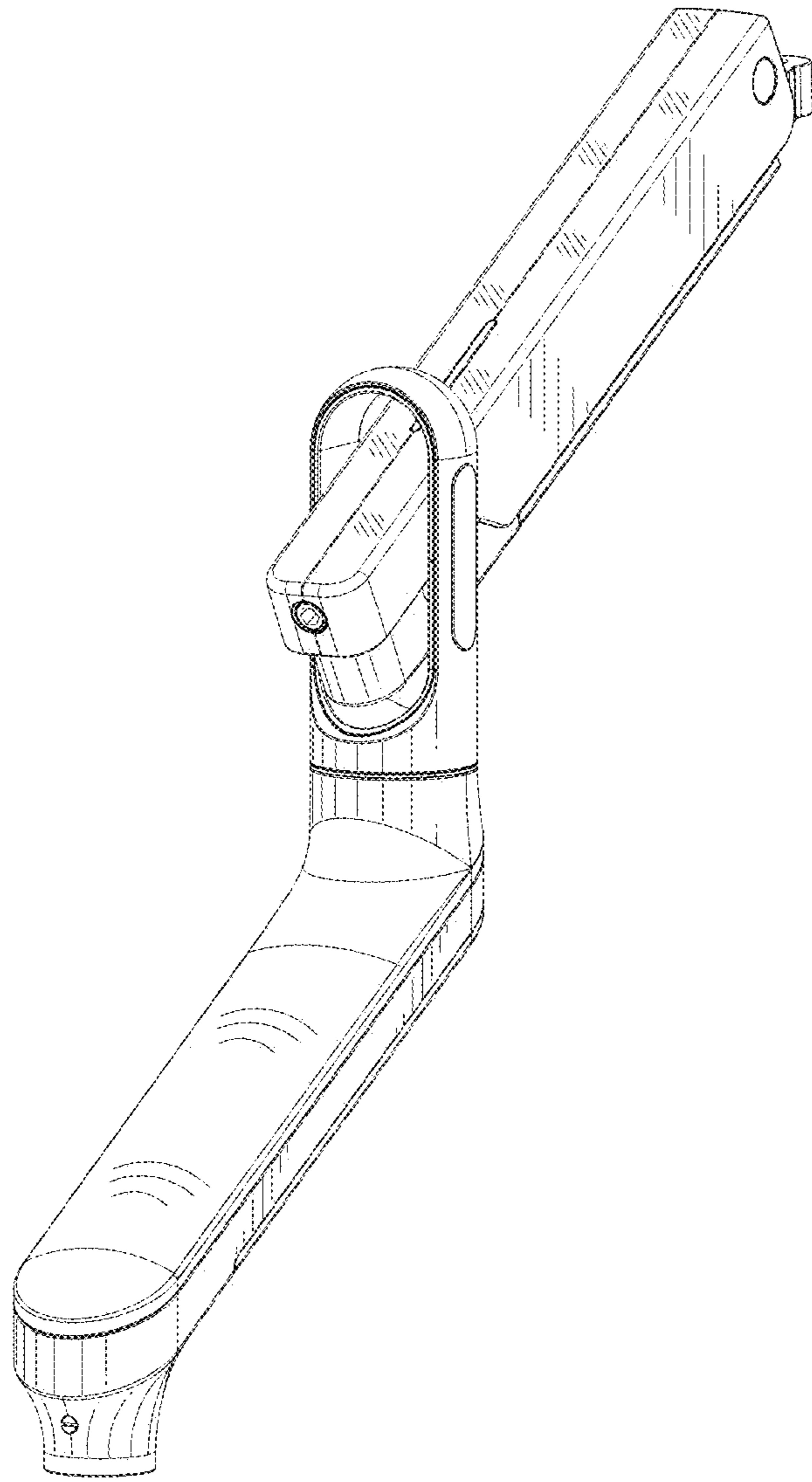


Fig.1

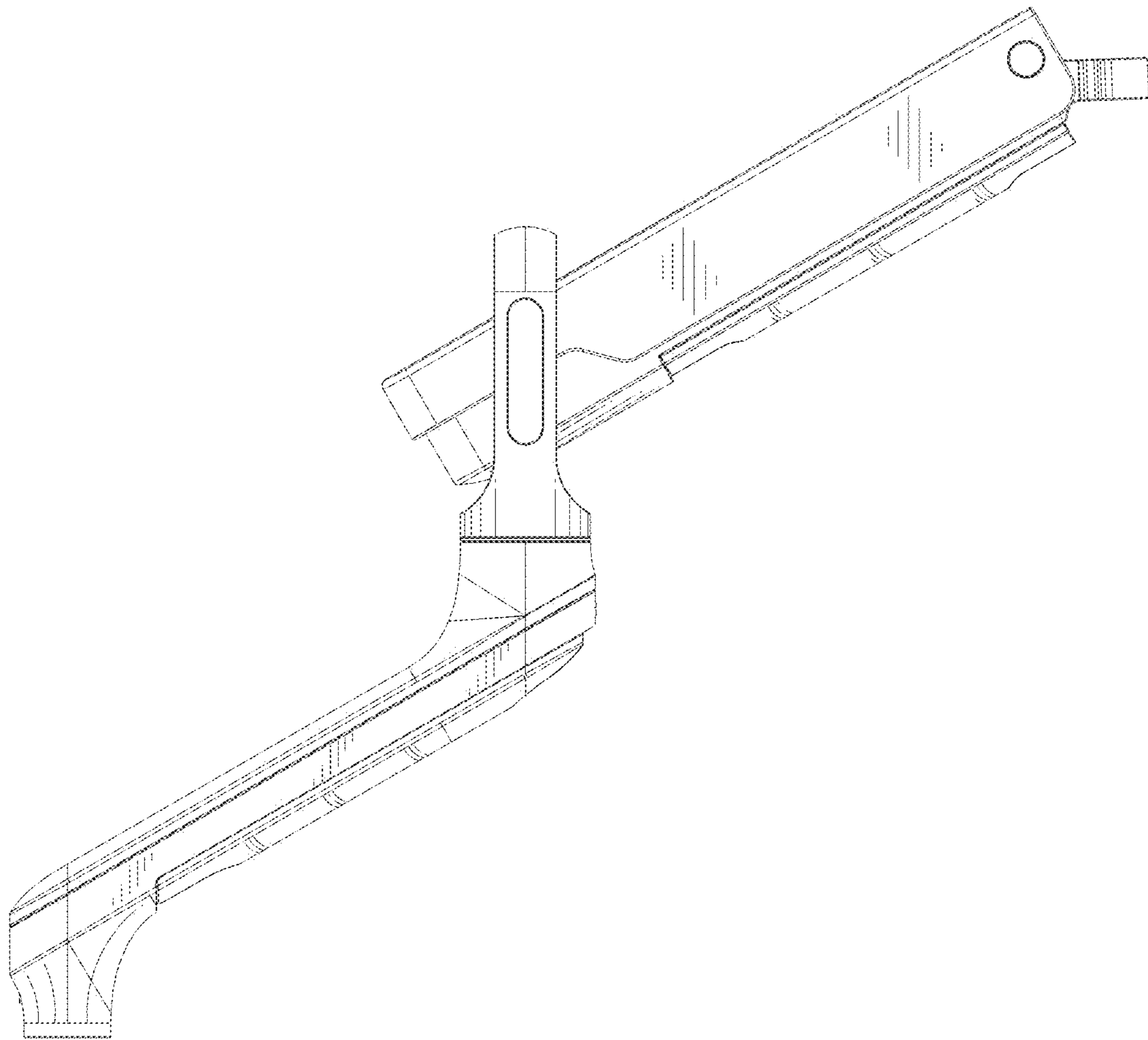


Fig.2

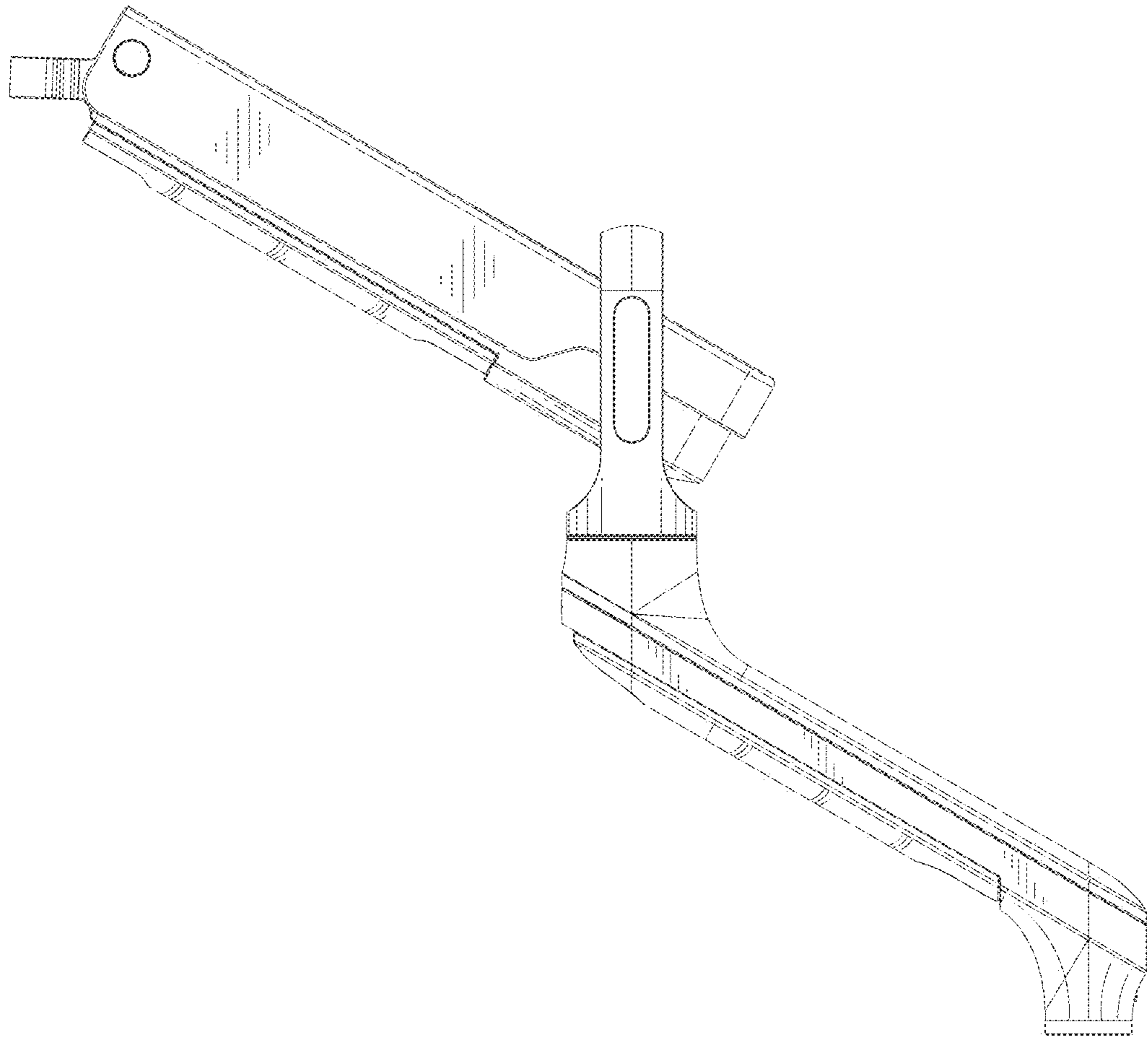


Fig.3

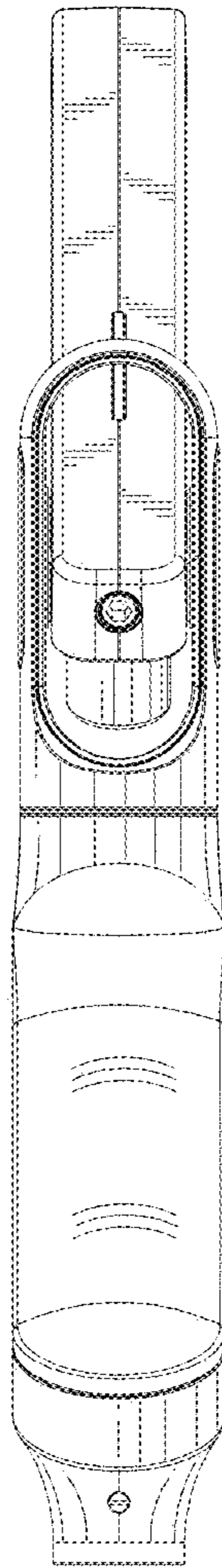


Fig.4

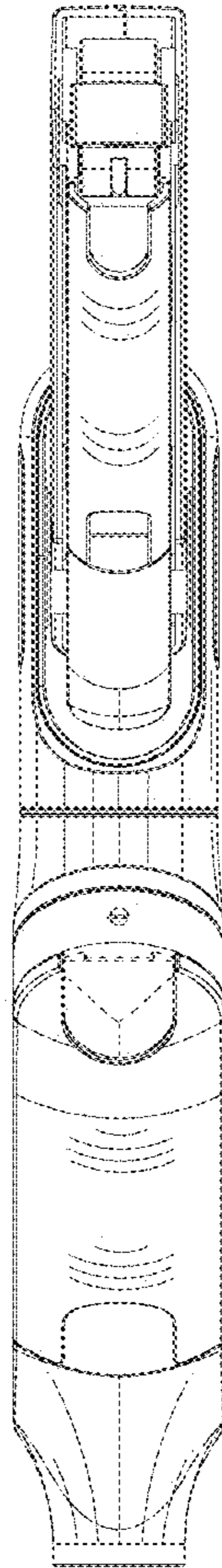


Fig.5

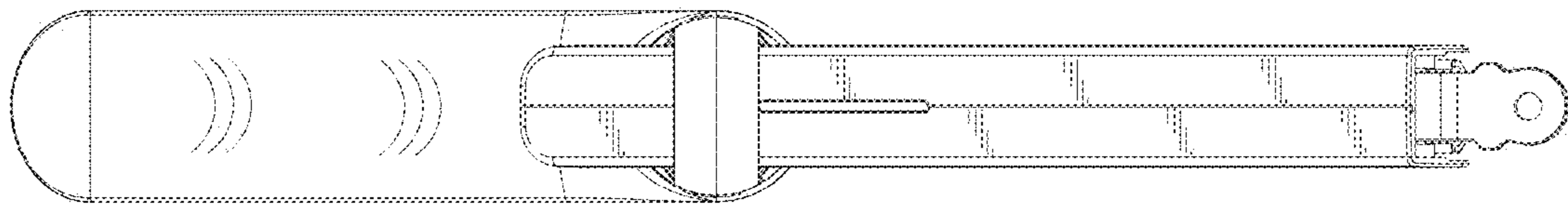


Fig.6

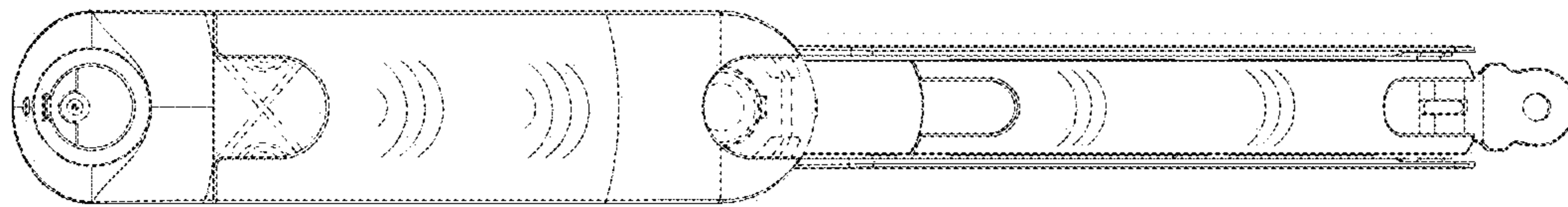


Fig.7

UNITED STATES PATENT AND TRADEMARK OFFICE
CERTIFICATE OF CORRECTION

PATENT NO. : D949,874 S
APPLICATION NO. : 29/728910
DATED : April 26, 2022
INVENTOR(S) : Xiaodong You

Page 1 of 1


It is certified that error appears in the above-identified patent and that said Letters Patent is hereby corrected as shown below:

On the Title Page

Column 2, Line 7, under Description, delete “thereof;” and insert --thereof; and--.

Column 2, Line 8, under Description, delete “thereof; and,” and insert --thereof.--.

Column 2, Lines 9-10, under Description, below the word “and,” delete “FIG. 8 is another perspective view thereof, further illustrating monitor and desk attachment mechanisms.”.

Signed and Sealed this
Sixteenth Day of August, 2022

Katherine Kelly Vidal
Director of the United States Patent and Trademark Office