



US00D949871S

(12) **United States Design Patent** (10) **Patent No.:** **US D949,871 S**
You (45) **Date of Patent:** **** Apr. 26, 2022**

(54) **DISPLAY MOUNT WITH DECORATIVE LIGHTING**
(71) Applicant: **NINGBO TUOTUO RIVER DESIGN COMPANY, Zhejiang (CN)**
(72) Inventor: **Xiaodong You, Ningbo (CN)**
(73) Assignee: **NINGBO TUOTUO RIVER DESIGN COMPANY, Zhejiang (CN)**

(**) Term: **15 Years**
(21) Appl. No.: **29/773,579**
(22) Filed: **Mar. 10, 2021**

(51) **LOC (13) Cl.** **14-02**
(52) **U.S. Cl.**
USPC **D14/451**

(58) **Field of Classification Search**
USPC D14/371-382, 125-129, 336, 337, D14/447-452, 492, 335, 376-382, 239, D14/457, 439-441, 432, 251-253; D8/349, 354, 363, 373, 376, 380; D21/333; D12/415; D3/218; 348/180, 348/184, 325, 739, 825
CPC G06F 3/0412; G06F 3/016; G06F 3/0488; G06F 3/011; G06F 3/038; G06F 3/03543; G06F 3/0338; G06F 3/0202; G06F 3/0219; G06F 3/0213; G06F 1/1616; G06F 3/023; G06F 3/04883; G02F 1/13338; G02F 1/1313; G02F 1/1333; G02F 1/135; G02F 1/132; G02F 1/133308; G02F 1/134309; G02F 1/13718; G09G 3/3648; G06K 15/1252; B41J 2/465; G03F 7/70291; G02B 27/0172; G02B 5/30; G02B 2027/0118; G02B 27/0101; F16M 13/02; F16M 13/00; F16M 11/10; F16M 11/04; F16M 2200/08; F16M 11/2021; A47B 21/0314; A47B 88/044; A47B 2021/0335; H02G 3/126; F16B 47/00; F16B 47/006; A47G 1/17; A47K 2201/00

See application file for complete search history.

(56) **References Cited**
U.S. PATENT DOCUMENTS
D508,171 S * 8/2005 Choo D6/675.1
D567,546 S 4/2008 Liu
D576,427 S * 9/2008 Stebbens D6/675.1
D590,636 S * 4/2009 Ou Yang D6/678.1
D593,776 S 6/2009 Sexton
D598,458 S * 8/2009 Li D14/451
(Continued)

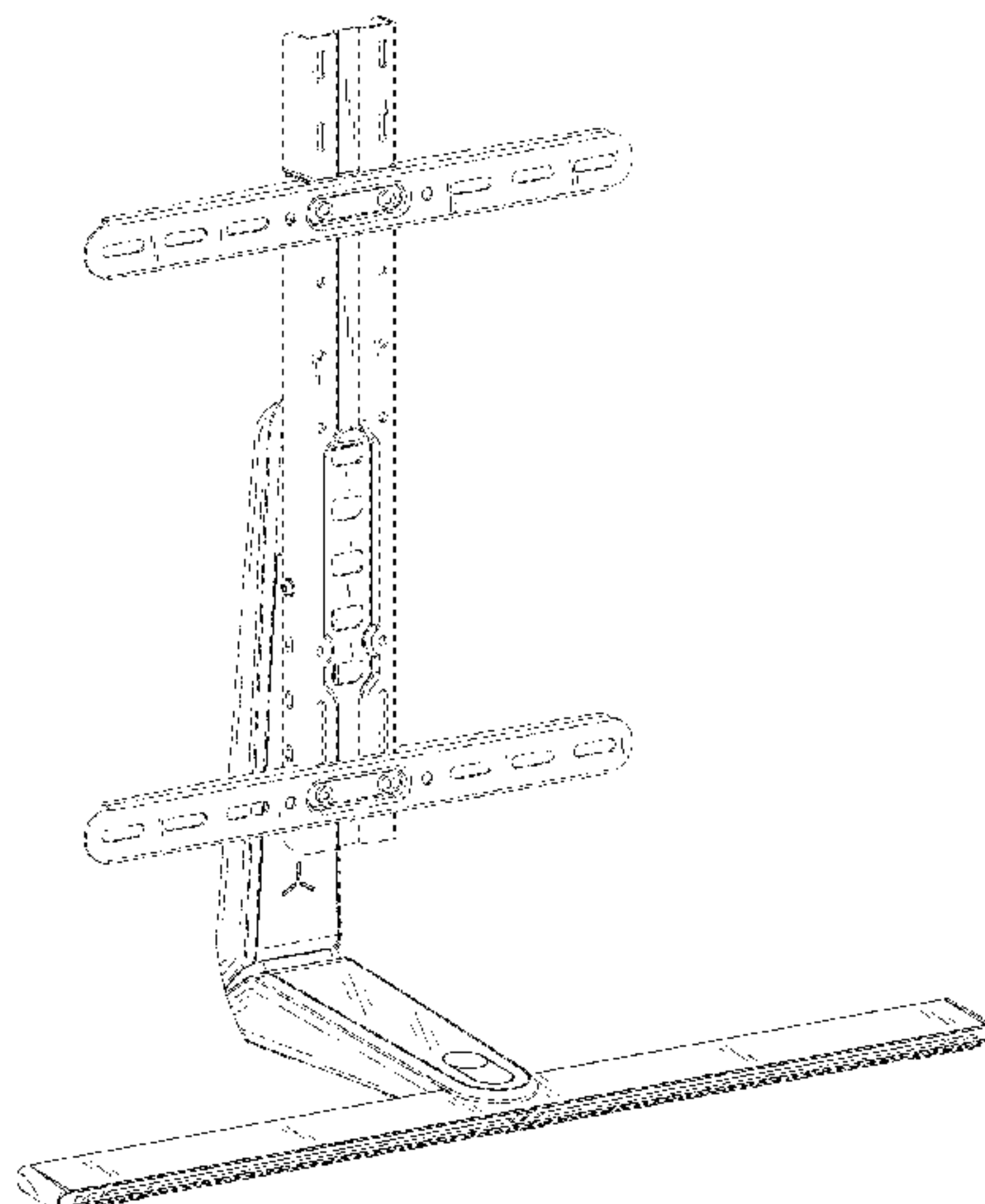
FOREIGN PATENT DOCUMENTS
EM 000686258-0001 3/2007
EM 001072151-0001 1/2009
(Continued)

Primary Examiner — Katie Jane Stofko
(74) *Attorney, Agent, or Firm* — Knobbe Martens Olson & Bear LLP

(57) **CLAIM**
The ornamental design for a display mount with decorative lighting, as shown and described.

DESCRIPTION
FIG. 1 is a front, top, left side perspective view of a display mount with decorative lighting showing my new design; FIG. 2 is a back, top, right side perspective view thereof; FIG. 3 is a front view thereof; FIG. 4 is a back view thereof; FIG. 5 is a left side view thereof; FIG. 6 is a right side view thereof; FIG. 7 is a top view thereof; and, FIG. 8 is a bottom view thereof.
Broken lines are used to illustrate features of the display mount with decorative lighting that form no part of the claimed design.

1 Claim, 8 Drawing Sheets



(56)

References Cited

U.S. PATENT DOCUMENTS

D712,690 S * 9/2014 Xiang D6/678.1
D712,691 S * 9/2014 Xiang D6/678.1
D719,384 S 12/2014 Sowers et al.
D723,012 S * 2/2015 Ann D14/239
D763,236 S * 8/2016 Lam D14/239
D820,818 S * 6/2018 Heckler D14/239
D836,091 S 12/2018 Shu
D877,743 S 3/2020 Pei
D912,024 S 3/2021 Pei
D914,655 S * 3/2021 Pei D14/239
D916,689 S * 4/2021 Lyu D14/239
D920,987 S * 6/2021 Lyu D14/451
2008/0068784 A1 * 3/2008 Bouissiere F16M 11/22
361/679.07

FOREIGN PATENT DOCUMENTS

EM 001746207-0009 9/2010
EM 006046504-0001 1/2019
EM 008038673-0001 7/2020
EM 008171557-0034 9/2020

* cited by examiner

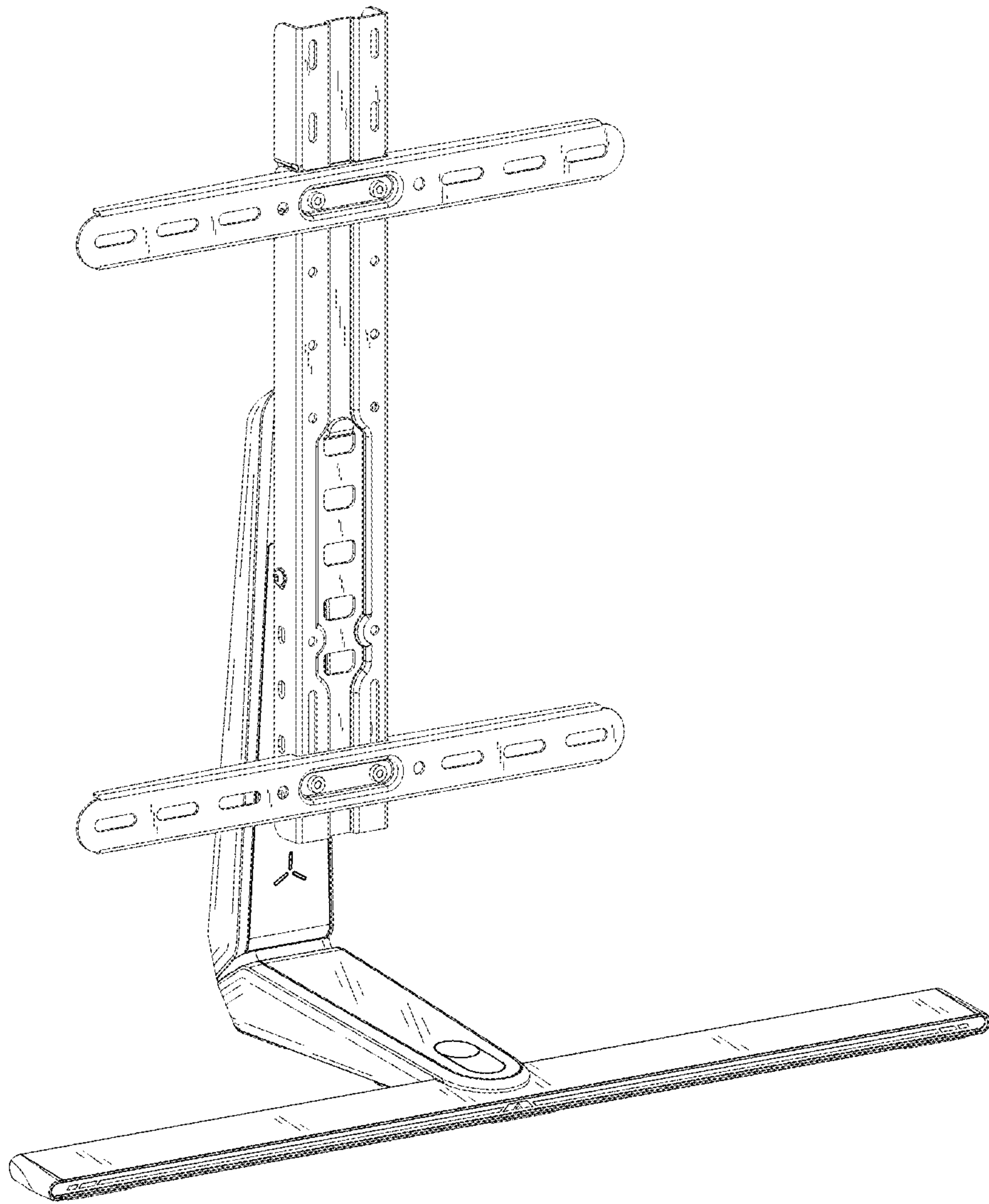


Fig. 1

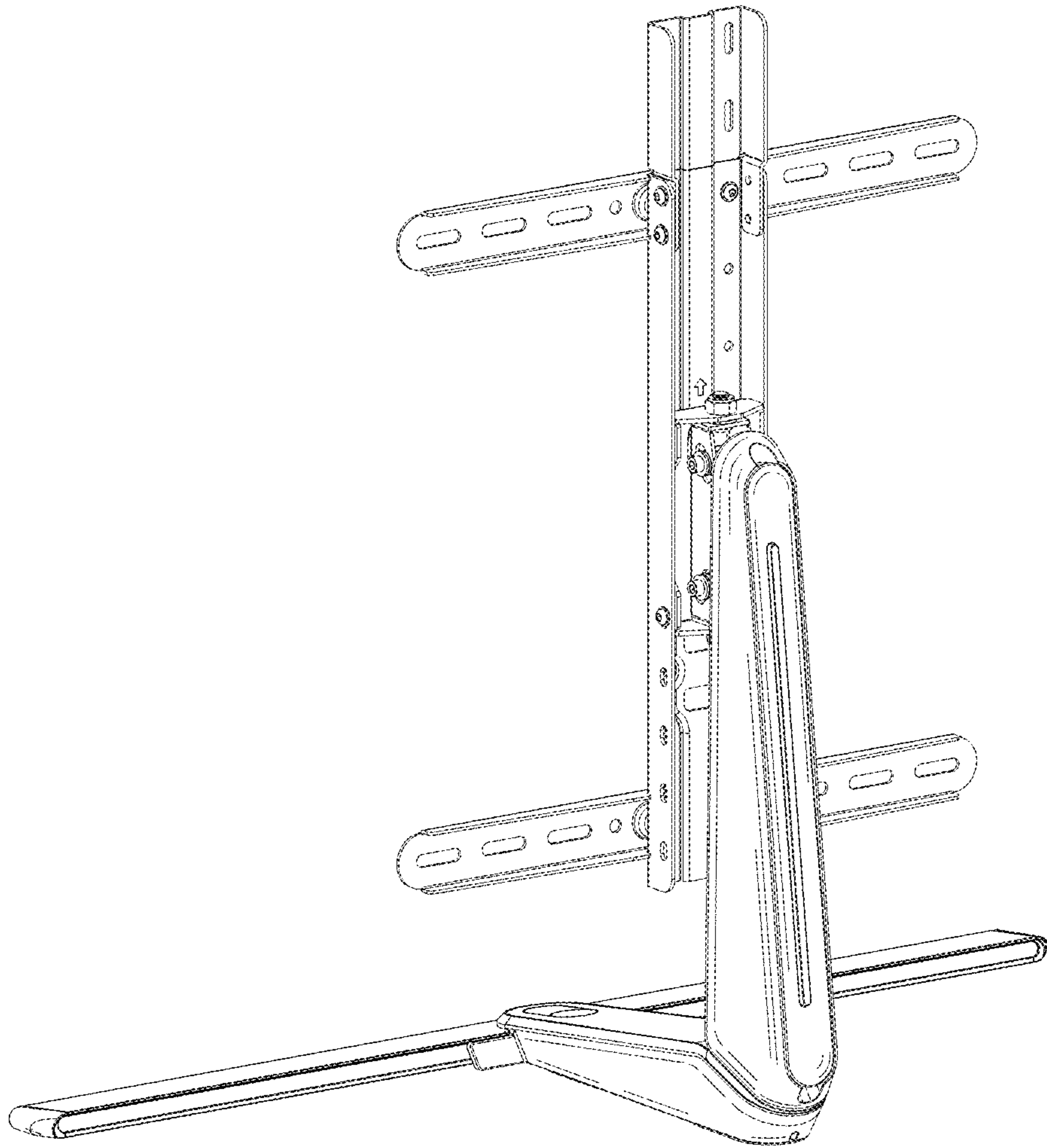


Fig. 2

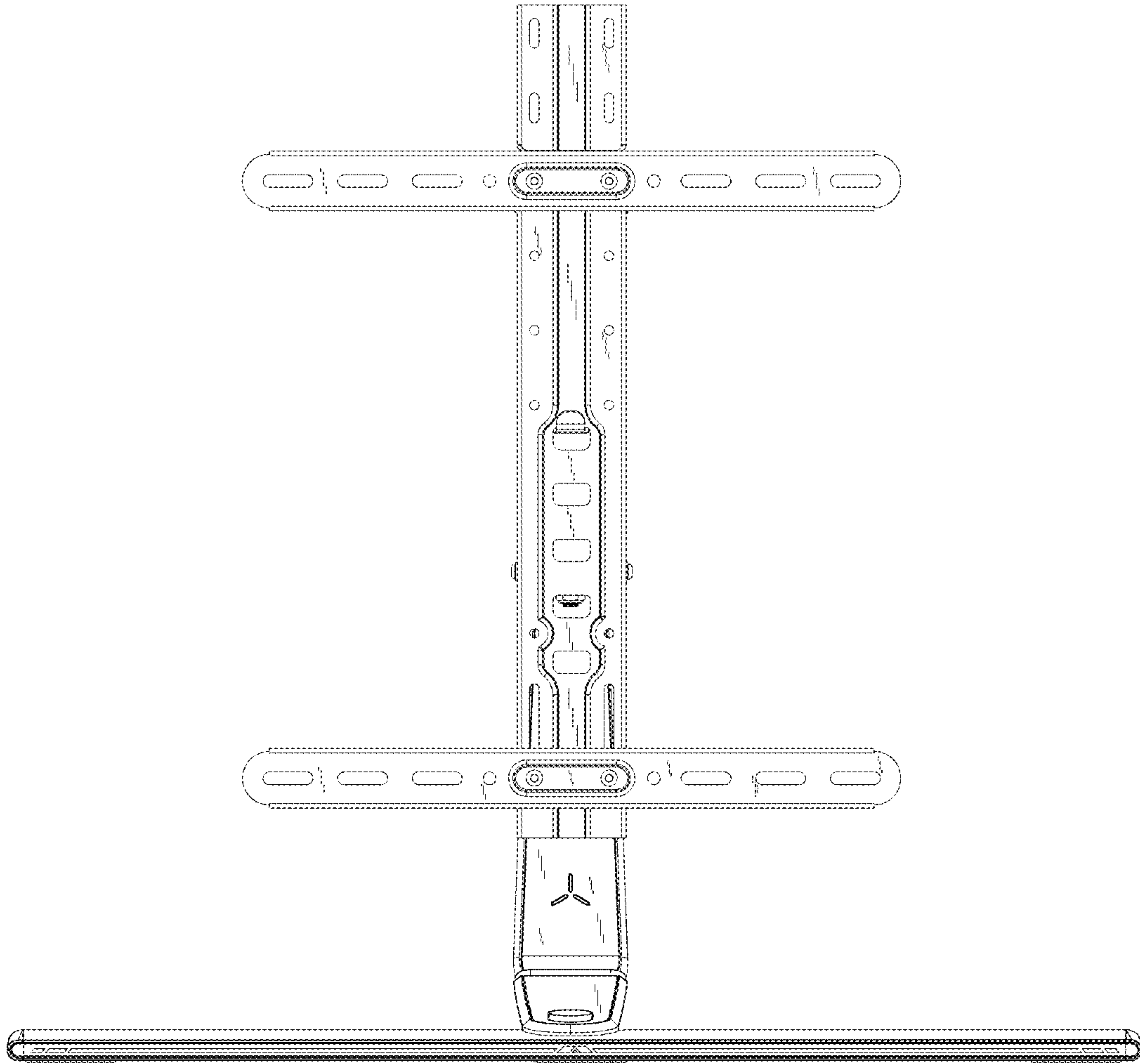


Fig. 3

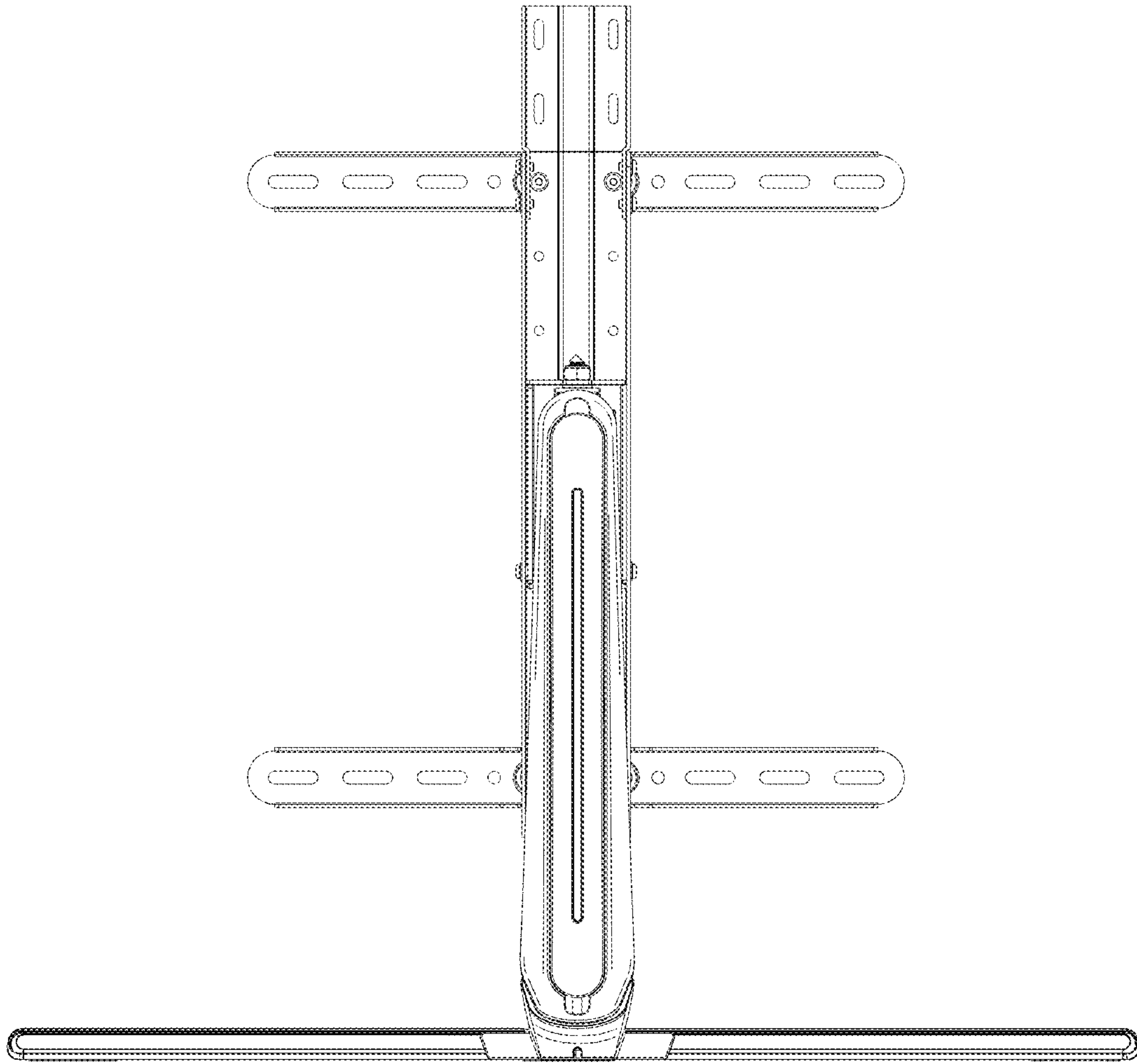


Fig. 4

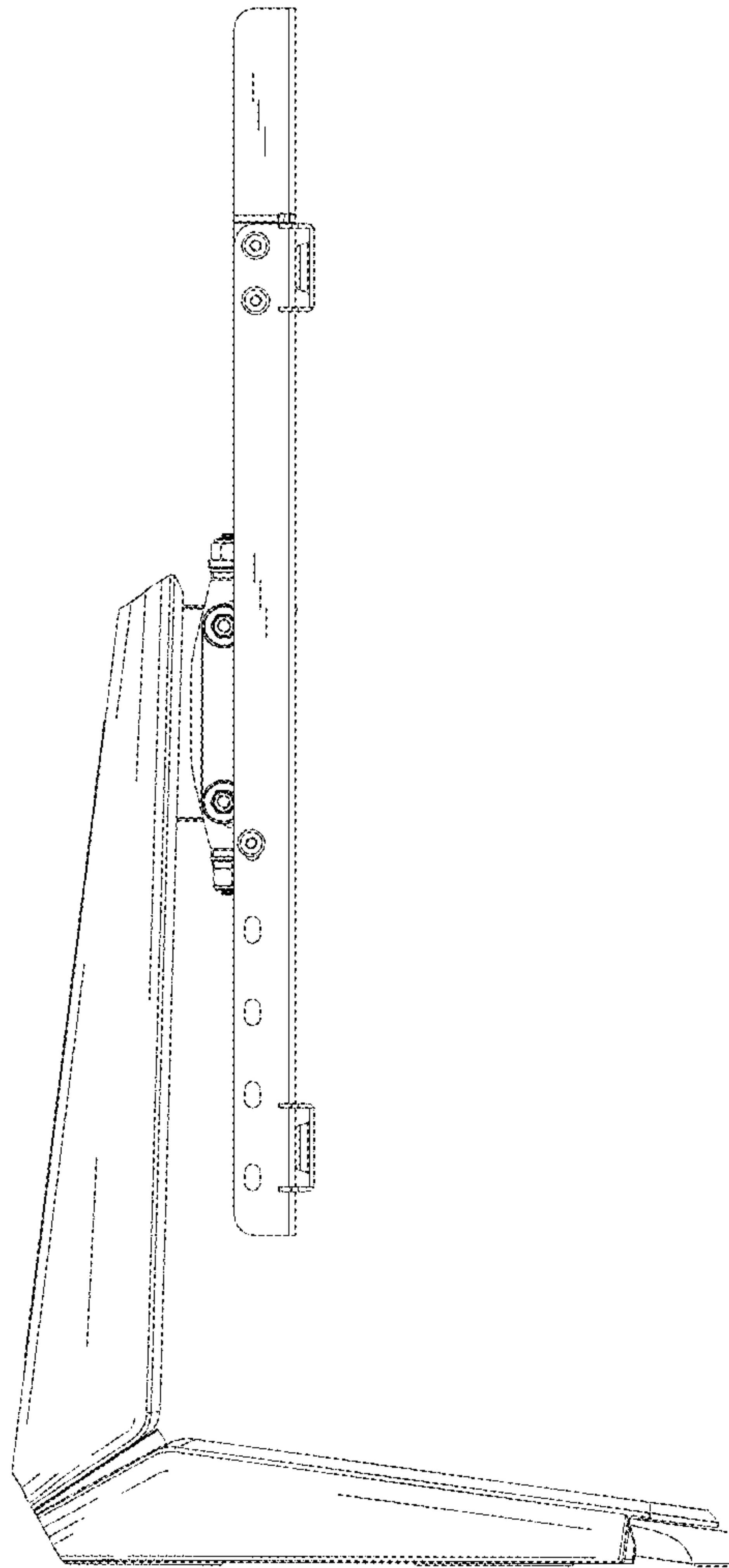


Fig. 5

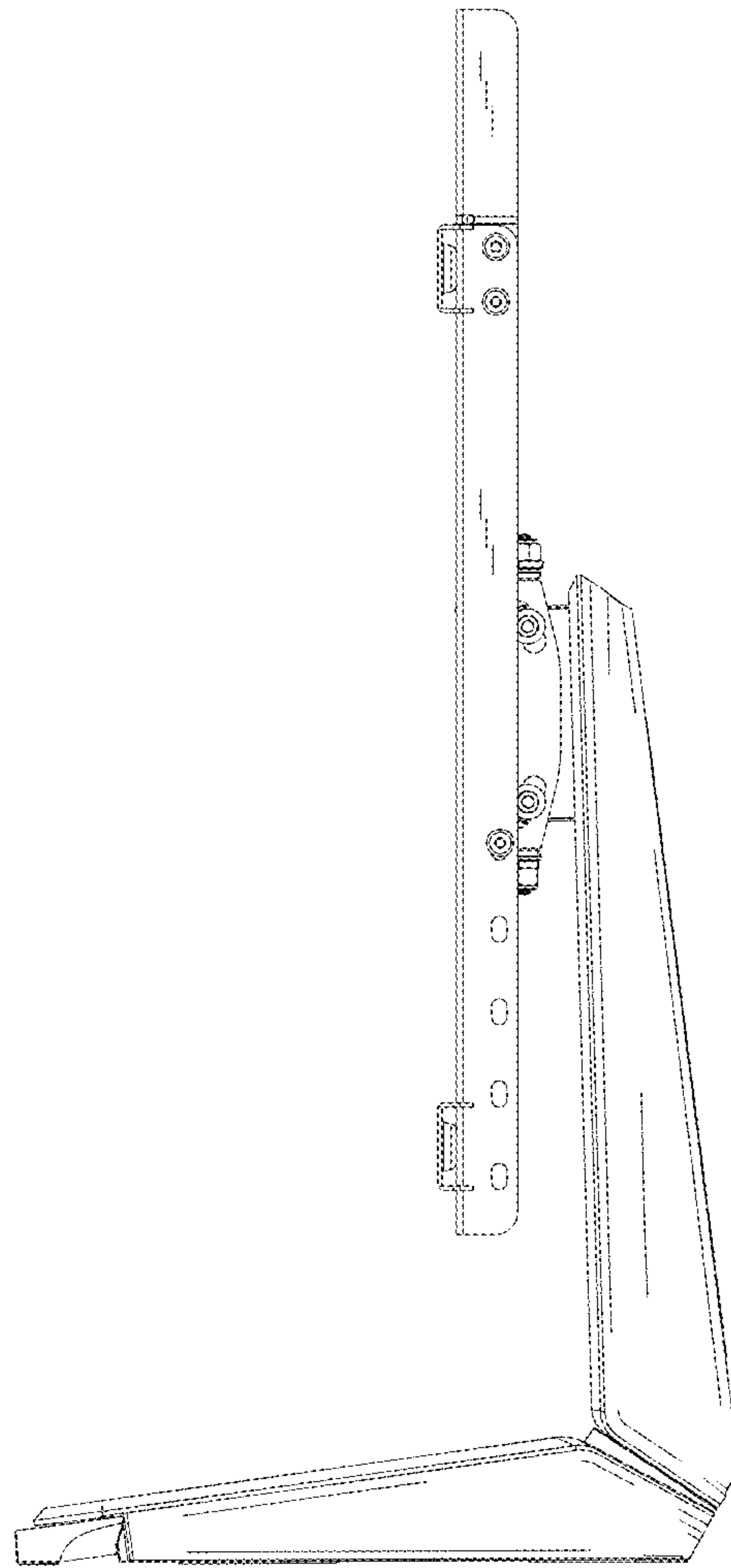


Fig. 6

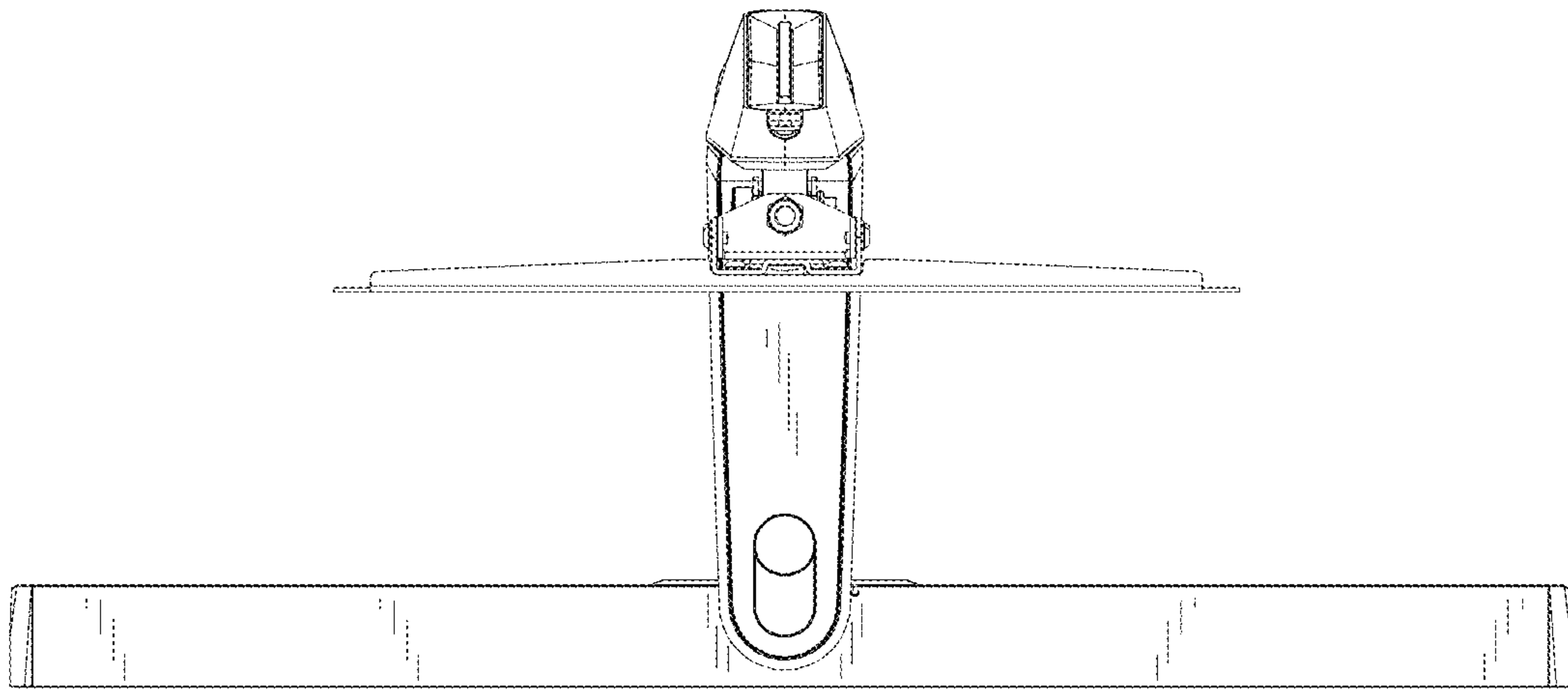


Fig. 7

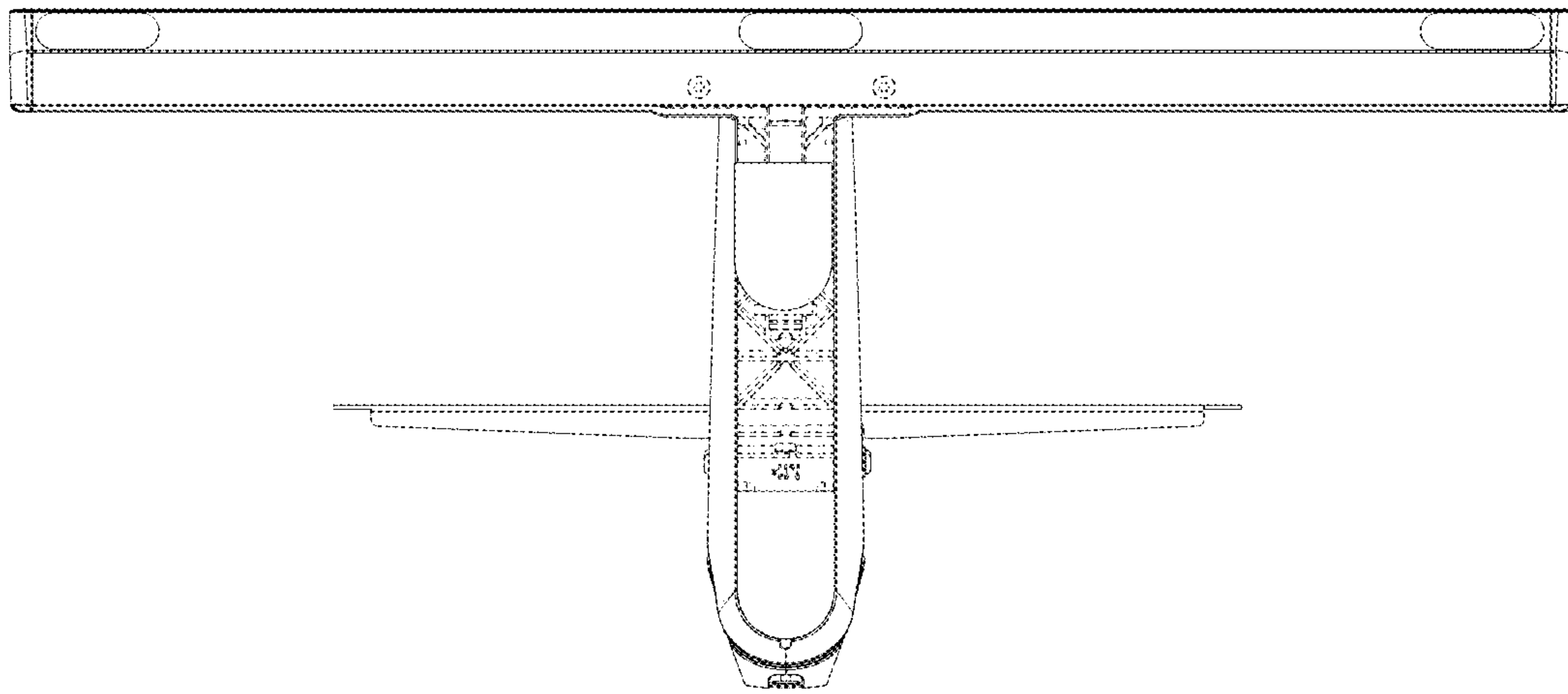


Fig. 8