



US00D949870S

(12) **United States Design Patent**
Bibby et al.

(10) **Patent No.:** **US D949,870 S**
(45) **Date of Patent:** **** Apr. 26, 2022**

(54) **ELECTRONIC DEVICE FOLDABLE STAND**

(71) Applicant: **COLEBROOK BOSSON & SAUNDERS (PRODUCTS) LIMITED**, London (GB)

(72) Inventors: **Simon Bibby**, London (GB); **Nicholas Cox**, Surrey (GB); **Peter Pryce**, East Sussex (GB); **Kruno Knezic**, London (GB)

(73) Assignee: **COLEBROOK BOSSON & SAUNDERS (PRODUCTS) LIMITED**, London (GB)

(**) Term: **15 Years**

(21) Appl. No.: **29/763,133**

(22) Filed: **Dec. 21, 2020**

(51) **LOC (13) Cl.** **08-07**

(52) **U.S. Cl.**
USPC **D14/447**

(58) **Field of Classification Search**
USPC D14/447, 432, 434, 439, 440, 451, 452, D14/457, 239, 253; D8/363, 373, 380;
(Continued)

(56) **References Cited**

U.S. PATENT DOCUMENTS

D334,479 S * 4/1993 Glick D6/310
6,305,652 B1 10/2001 Borke et al.
(Continued)

FOREIGN PATENT DOCUMENTS

CN 203927312 U 11/2014
CN 107255214 A 10/2017
(Continued)

OTHER PUBLICATIONS

Lamyik, "Fashion Pyramid Flip shape tablet cases PU Leather Cover Tablet Slim Protective shell Smart Cover Stand Cases For

iPad Pro 12.9", webpage accessed May 5, 2020, <https://www.aliexpress.com/item/32769085409.html>, (11 Pages).

(Continued)

Primary Examiner — Angela J Lee

(74) *Attorney, Agent, or Firm* — Michael Best & Friedrich LLP

(57) **CLAIM**

The ornamental design for an electronic device foldable stand, as shown and described.

DESCRIPTION

FIG. 1 is a top perspective view of an embodiment of the design in an assembled and unfolded state.

FIG. 2 is a bottom perspective view of FIG. 1.

FIG. 3 is a front view of FIG. 1.

FIG. 4 is a rear view of FIG. 1.

FIG. 5 is a left side view of FIG. 1.

FIG. 6 is a right side view of FIG. 1.

FIG. 7 is a top view of FIG. 1.

FIG. 8 is a bottom view of FIG. 1.

FIG. 9 is a top perspective view of the design in an assembled and folded state.

FIG. 10 is a bottom perspective view of FIG. 9.

FIG. 11 is a top view of FIG. 9.

FIG. 12 is a bottom view of FIG. 9.

FIG. 13 is a left side view of FIG. 9.

FIG. 14 is a right side view of FIG. 9.

FIG. 15 is a front view of FIG. 9.

FIG. 16 is a rear view of FIG. 9.

FIG. 17 is a top perspective view of the design in an unassembled state.

FIG. 18 is a bottom perspective view of FIG. 17.

FIG. 19 is a top view of FIG. 17.

FIG. 20 is a bottom view of FIG. 17.

FIG. 21 is a left side view of FIG. 17.

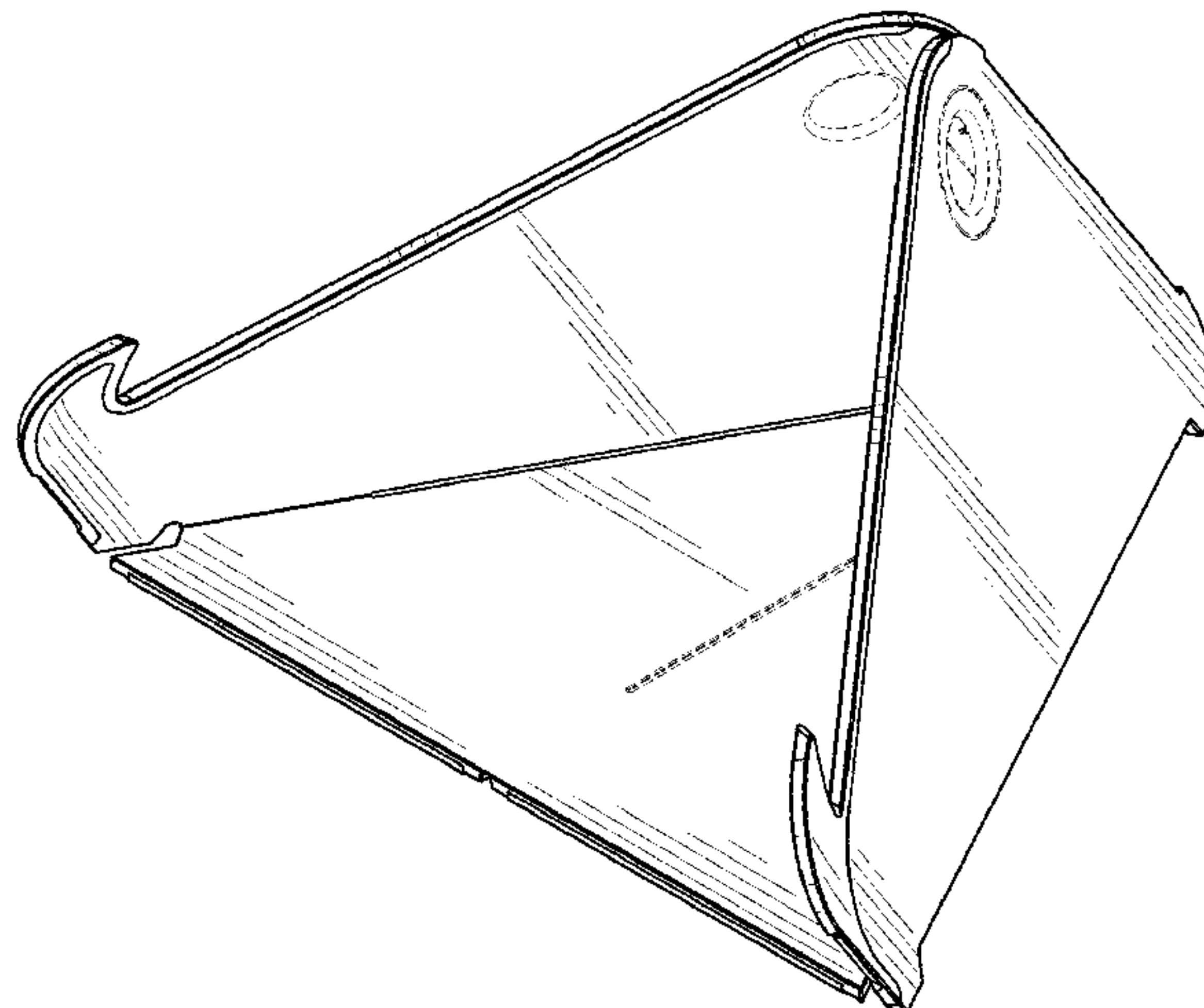
FIG. 22 is a right side view of FIG. 17.

FIG. 23 is a front view of FIG. 17; and,

FIG. 24 is a rear view of FIG. 17.

The broken lines shown on the drawings depict portions of the electronic device foldable stand that form no part of the claimed design.

1 Claim, 20 Drawing Sheets



- (58) **Field of Classification Search**
 USPC D6/406.3, 406.4, 406.5, 406.6; D12/415;
 D21/333, 332
 CPC A47B 21/04; A47B 2097/006; A47B
 2097/005; A47B 2023/049; A45C
 2011/002; A45C 2011/003; F16M
 2200/00; F16M 13/00
 See application file for complete search history.

DE	202016002523	U1	9/2017
EM	007229653-0001	A1	11/2019
EM	007720412-0001	A1	4/2020
EM	007720412-0002	A1	4/2020
GB	2390297	A	1/2004
WO	WO2010004329	A1	1/2010

(56) **References Cited**

U.S. PATENT DOCUMENTS

6,724,614	B1	4/2004	Chiang et al.	
6,819,548	B2	11/2004	Hillis et al.	
7,487,940	B2	2/2009	Saez et al.	
7,748,667	B1	7/2010	Bartholomew	
7,798,530	B1 *	9/2010	Mercado	A47B 23/044 281/42
D643,635	S *	8/2011	Harding	D6/310
D647,326	S *	10/2011	Kellett	D6/682.4
8,424,831	B2 *	4/2013	Lin	A47B 23/044 248/460
D707,232	S *	6/2014	Lopes	D14/447
9,298,216	B1	3/2016	Wood et al.	
D771,615	S *	11/2016	Pignotti	D14/253
D783,591	S *	4/2017	Grutzik	D14/252
D805,519	S	12/2017	Diebel et al.	
D806,399	S *	1/2018	Rogers	D6/300
9,995,428	B2	6/2018	Schwartz	
10,211,872	B1	2/2019	Diebel et al.	
D842,862	S *	3/2019	Ellis	D14/447
D914,026	S *	3/2021	Fischer	D14/447
D914,689	S *	3/2021	Culver	A47B 23/044 D14/447
D927,497	S *	8/2021	Date	D14/447
2009/0179124	A1	7/2009	Caplan	
2012/0037047	A1	2/2012	Moldovan	
2012/0305413	A1	12/2012	Chung	
2016/0286954	A1	10/2016	Wu et al.	
2017/0299113	A1	10/2017	Wu	

FOREIGN PATENT DOCUMENTS

CN	20765074	U	7/2018
CN	305219190		6/2019
CN	305581451		1/2020
CN	305716055		4/2020
CN	305716056		4/2020
CN	305716057		4/2020
CN	305734987		4/2020

OTHER PUBLICATIONS

AKWS, “folio case for Amazon Kindle Paperwhite 1 2 3 origami stand magnetic PU leather cover case”, webpage accessed May 6, 2020, <https://www.aliexpress.com/item/32690698062.html>, (14 Pages).

Pipetto, “iPad 9.7 Origami Pencil Case 5th & 6th Generation”, webpage accessed May 7, 2020, <https://www.pipetto.co.uk/ipad-9-7-case-origami-pencil-royal-blue.html>, (2 Pages).

Pipetto, “iPad 10.5 Origami Shield”, webpage: <https://www.pipetto.co.uk/ipad-10-5-2019-case-origami-shield-purple.html>, Oct. 5, 2019, (2 Pages).

Nilkin, “Laptop Ascend Stand”, webpage accessed May 5, 2020, <https://nilkin.org/accessories/nilkin-laptop-ascend-stand>, (25 Pages).

Gearbest, “Xundd Hami Melon Series PU Leather and Plastic Material Case with Stand Function for iPad Min”, webpage accessed May 7, 2020, https://www.gearbest.com/cases-covers/pp_23280.html, (5 Pages).

Matikamall, “New Ipad 9.7 (2018/2017) Case, Soft TPU Rubber Back Cover, Smart Cover”, webpage accessed May 7, 2020, matikamall.com/new-ipad-97-2018-2017/3547-new-ipad-97-2017-tpu-smart-cover-tpu-triangle-stand-smart-covercase.html, (4 Pages).

Amazon, “Y LGND for iPad Mini”, webpage accessed May 5, 2020, <https://www.amazon.com/gp/product/B009WGFOHW?tag=20160c-20&ie=UTF8&qid=1386382098>, (7 Pages).

Moft, “Laptop Stand Folds Flat Like a Mouse Mat”, webpage: <https://www.gadgetexplained.com/2019/09/moft-laptop-stand-folds-flat-like-mouse.html>, Sep. 23, 2019, (9 Pages).

Moft, “X Phone and Tablet Stand”, webpage: <https://www.gadgetexplained.com/2019/10/moft-x-phone-and-tablet-stand.html>, Oct. 25, 2019, (10 Pages).

Cezanne, “AViiQ Portable Laptop Stand”, webpage: <https://cezanne.carbonmade.com/projects/5842974>, Copyright 2015, (2 Pages).

Fodi, “The flat multi-purpose origami stand”, webpage accessed May 6, 2020, www.fodijp.com, (9 Pages).

Designnest, “LaptopStand |LEVIT8|”, webpage: <https://www.designnest.com/Project/1102?id=1102&title=LaptopStand-LEVIT8>, BETA 1.9 Apr. 30, 2020, (5 Pages).

Rakuten Global Market, “kitcut-ps: It is MOBO Origami Stand for Laptop”, webpage accessed May 7, 2002, <https://global.rakuten.com/en/store/kitcut-ps/item/4801912251/>, (22 Pages).

* cited by examiner

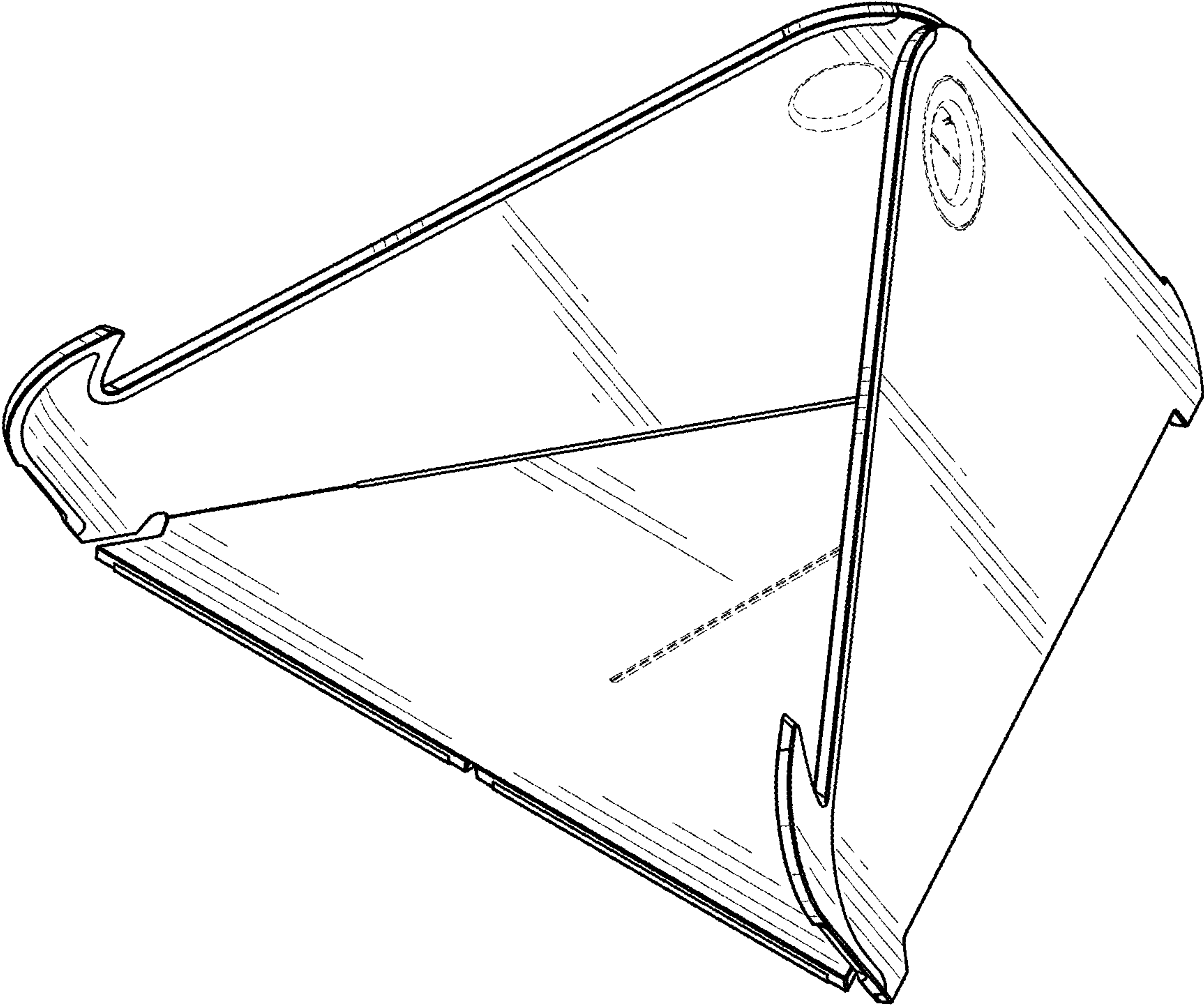


FIG. 1

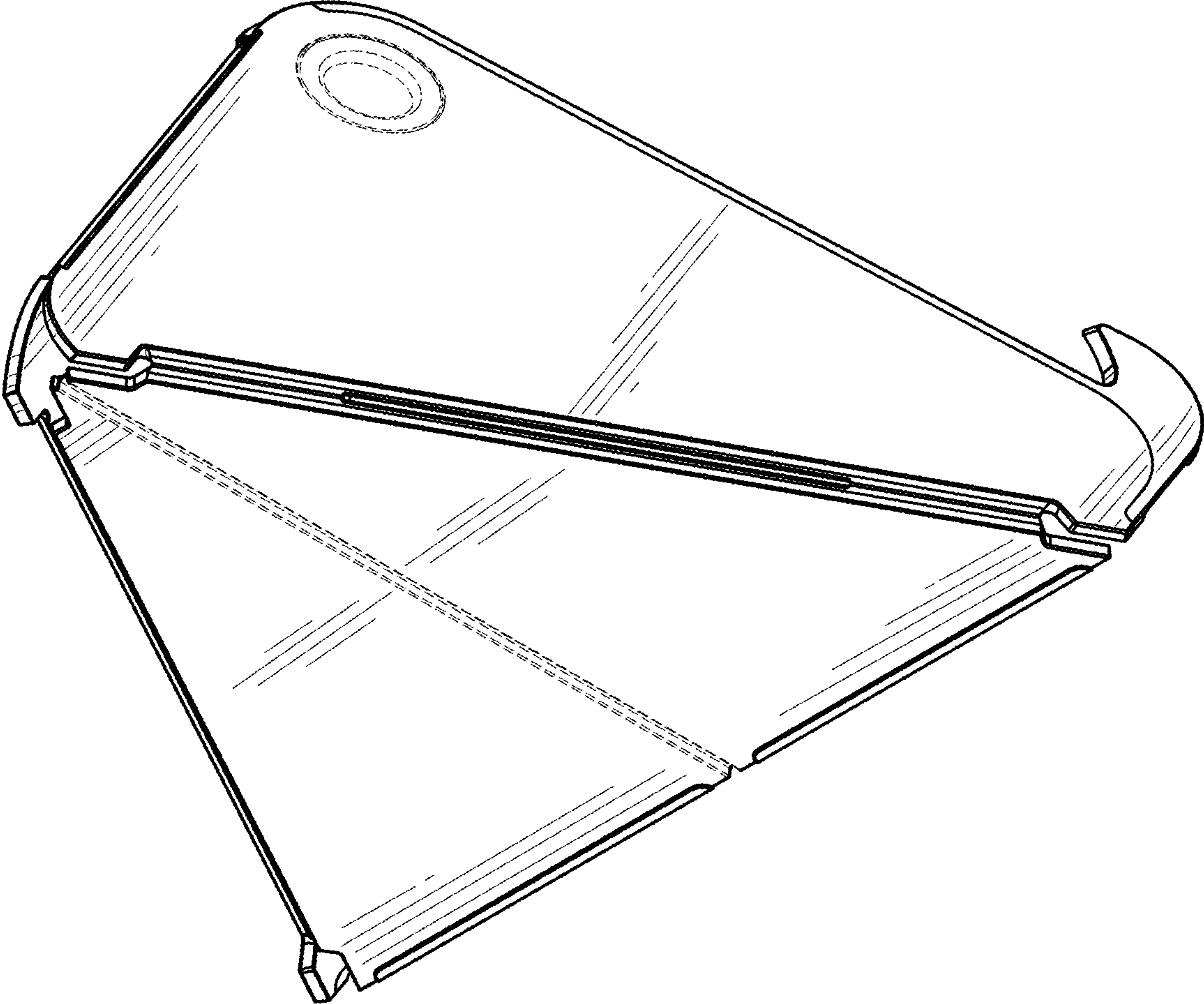


FIG. 2

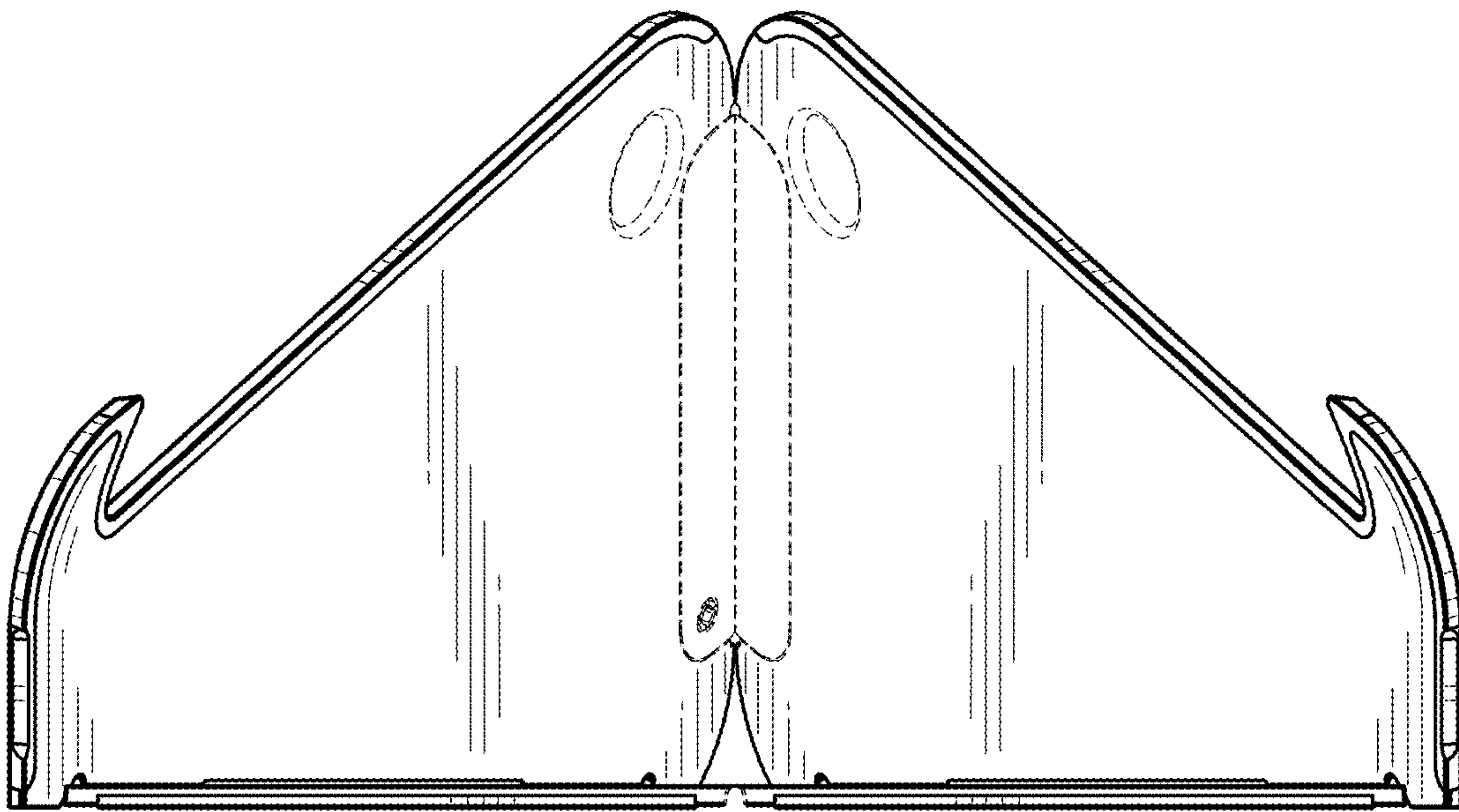


FIG. 3

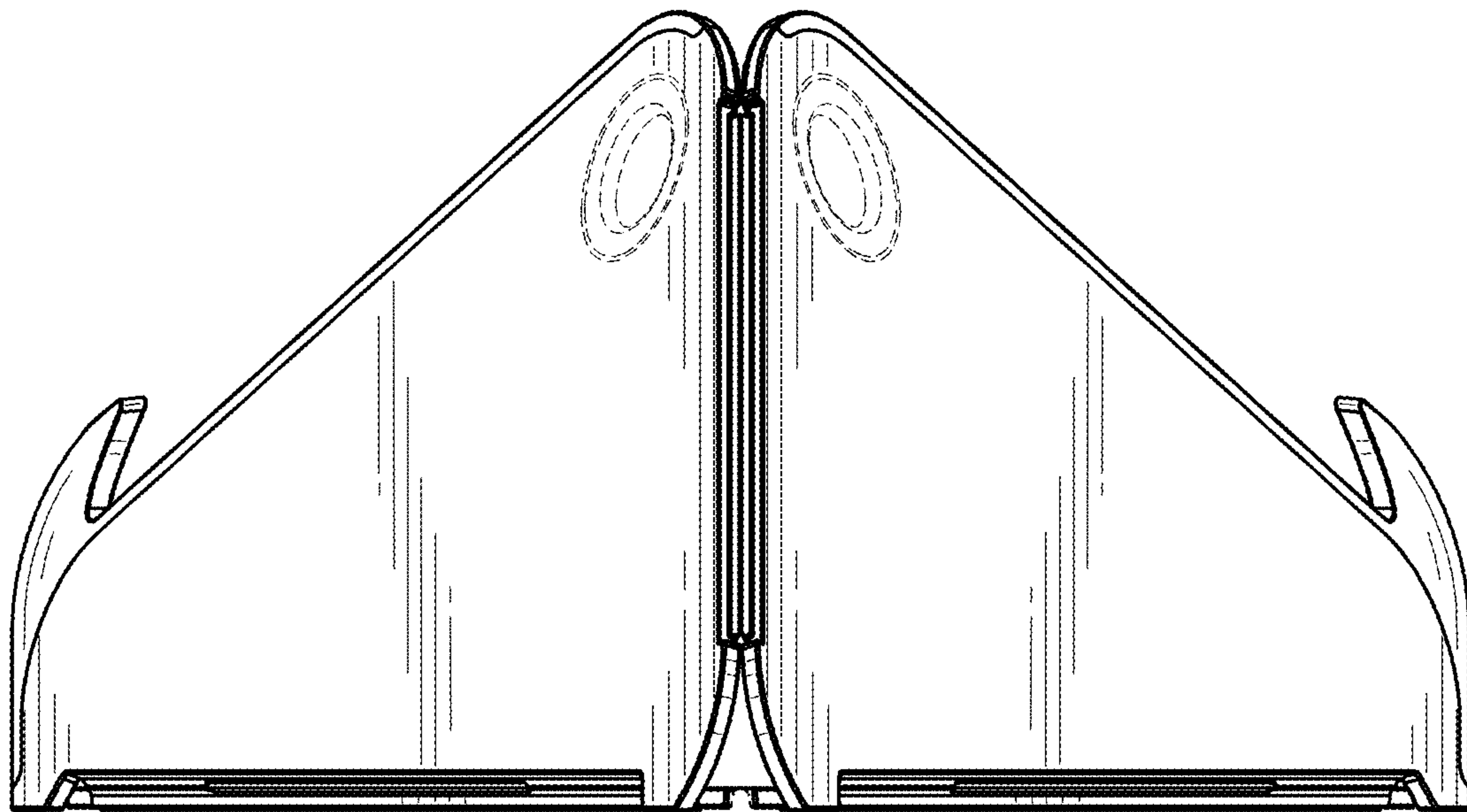


FIG. 4

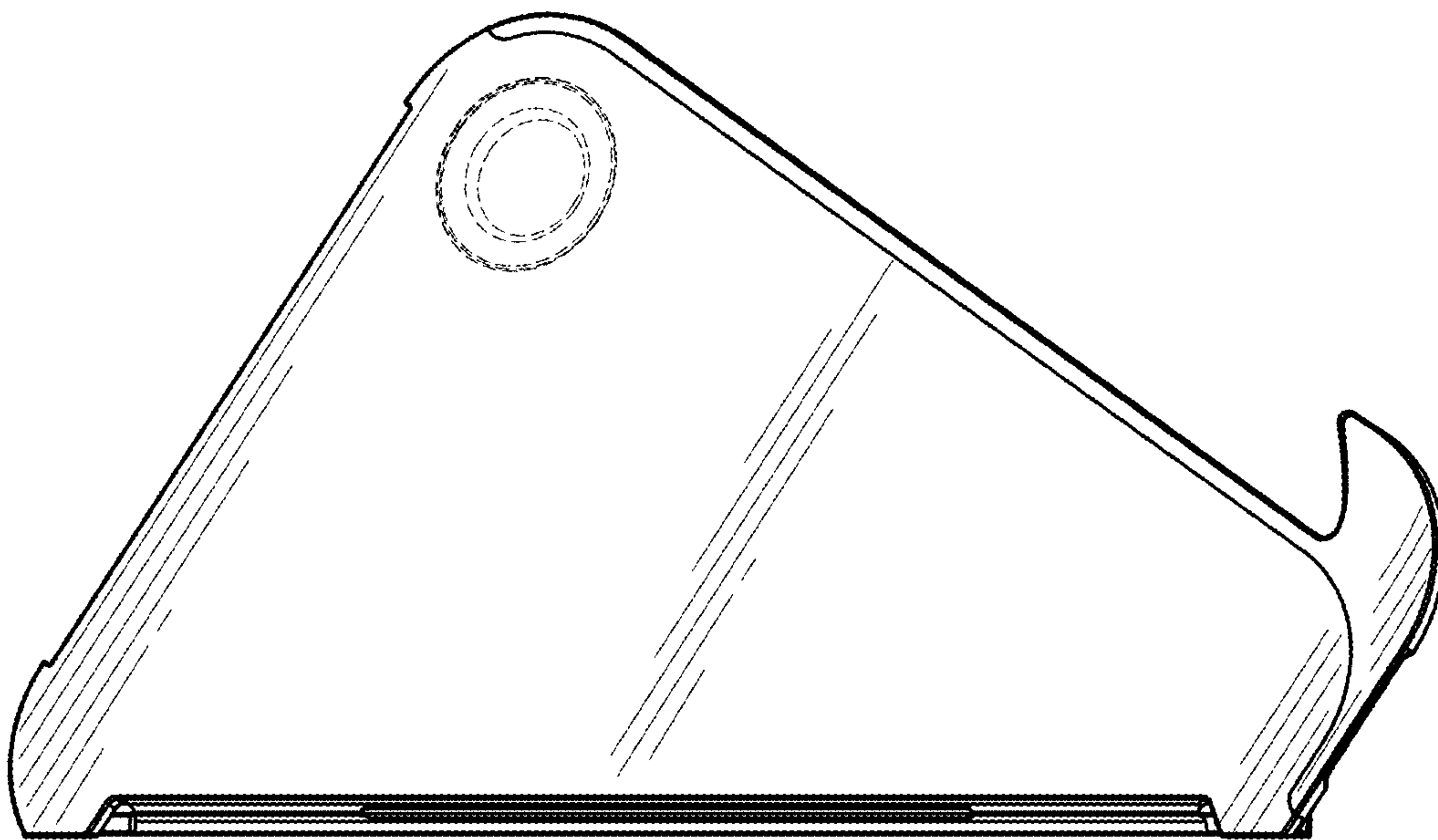


FIG. 5

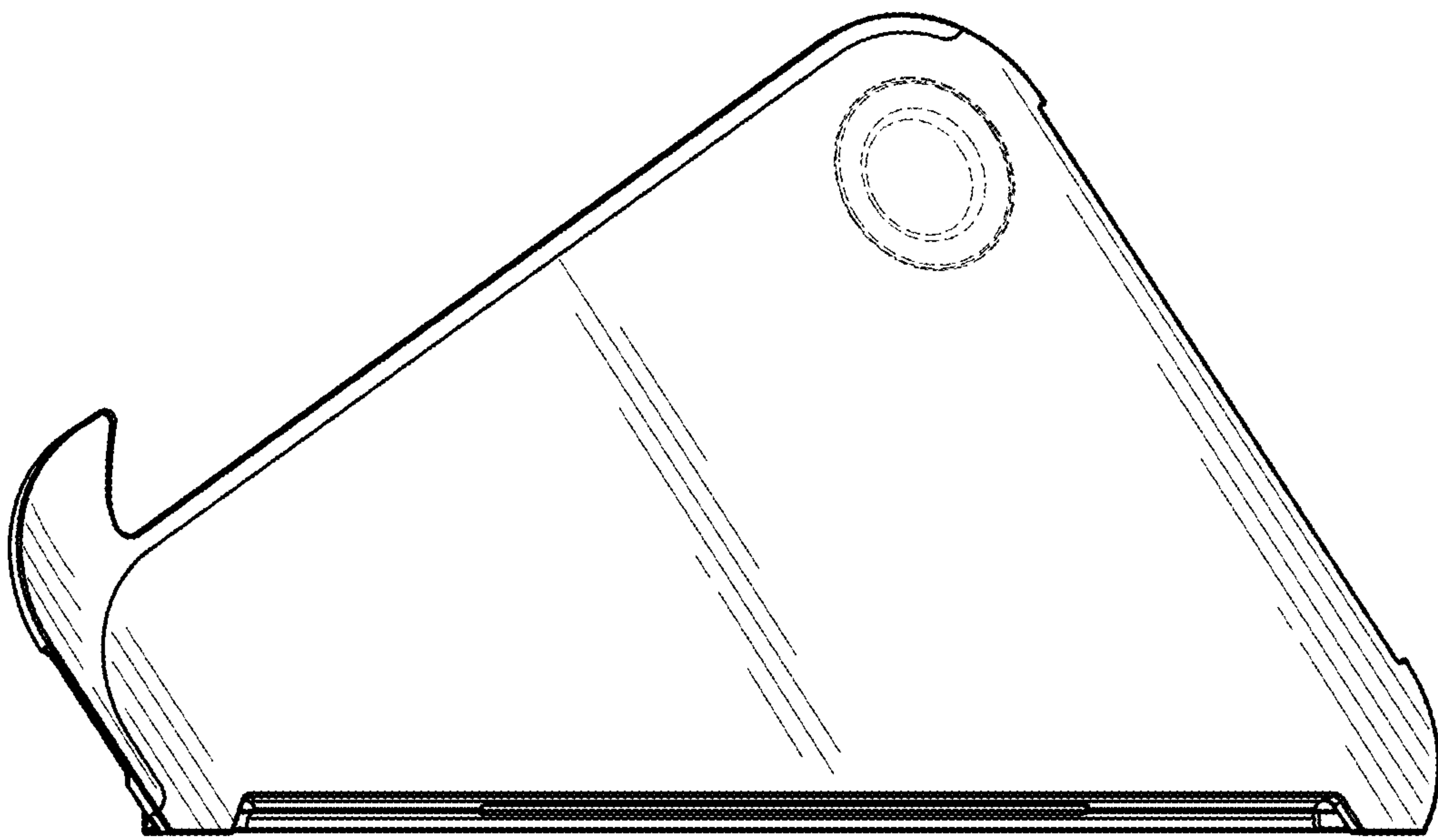


FIG. 6

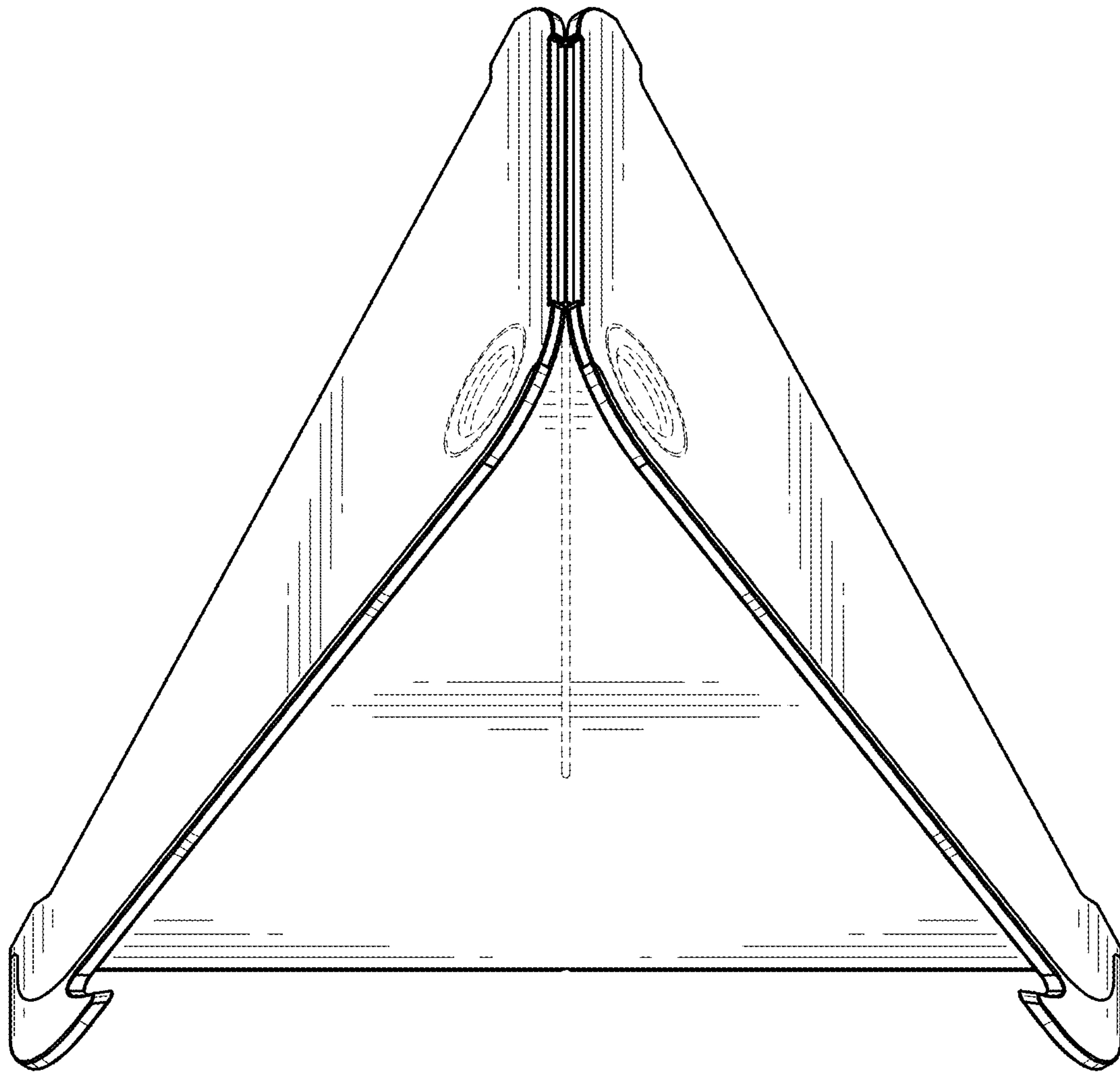


FIG. 7

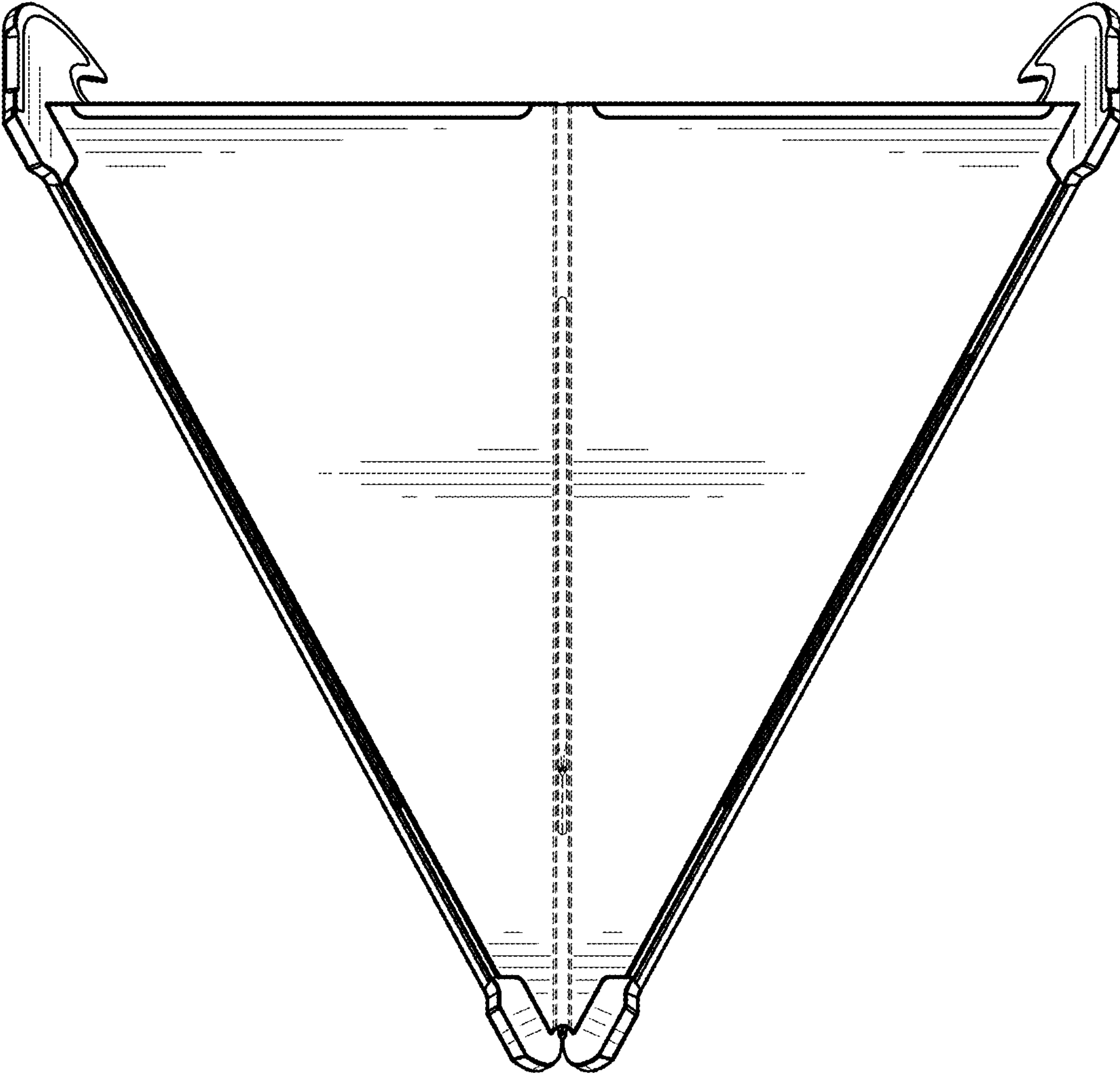


FIG. 8

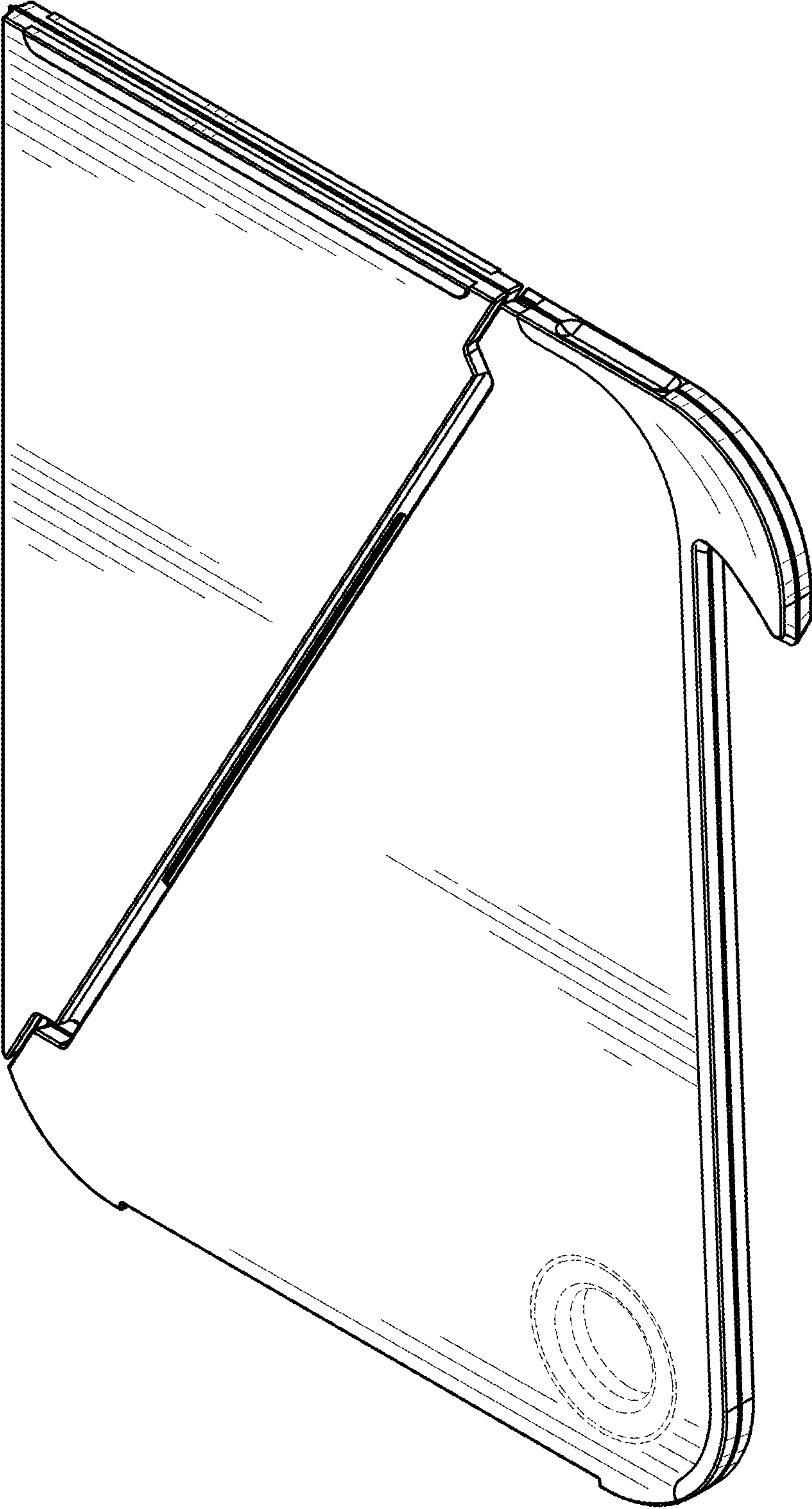


FIG. 9

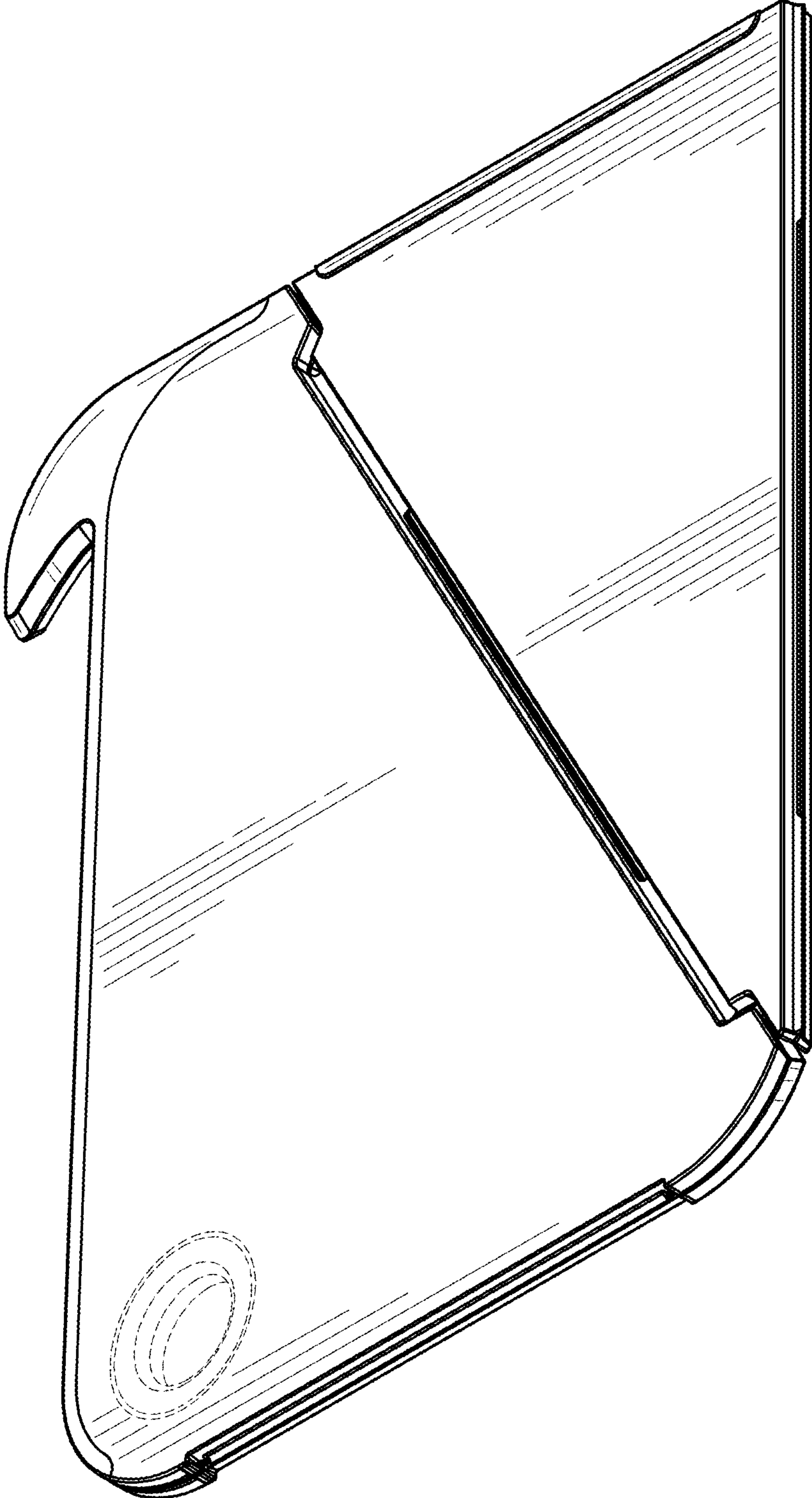


FIG. 10

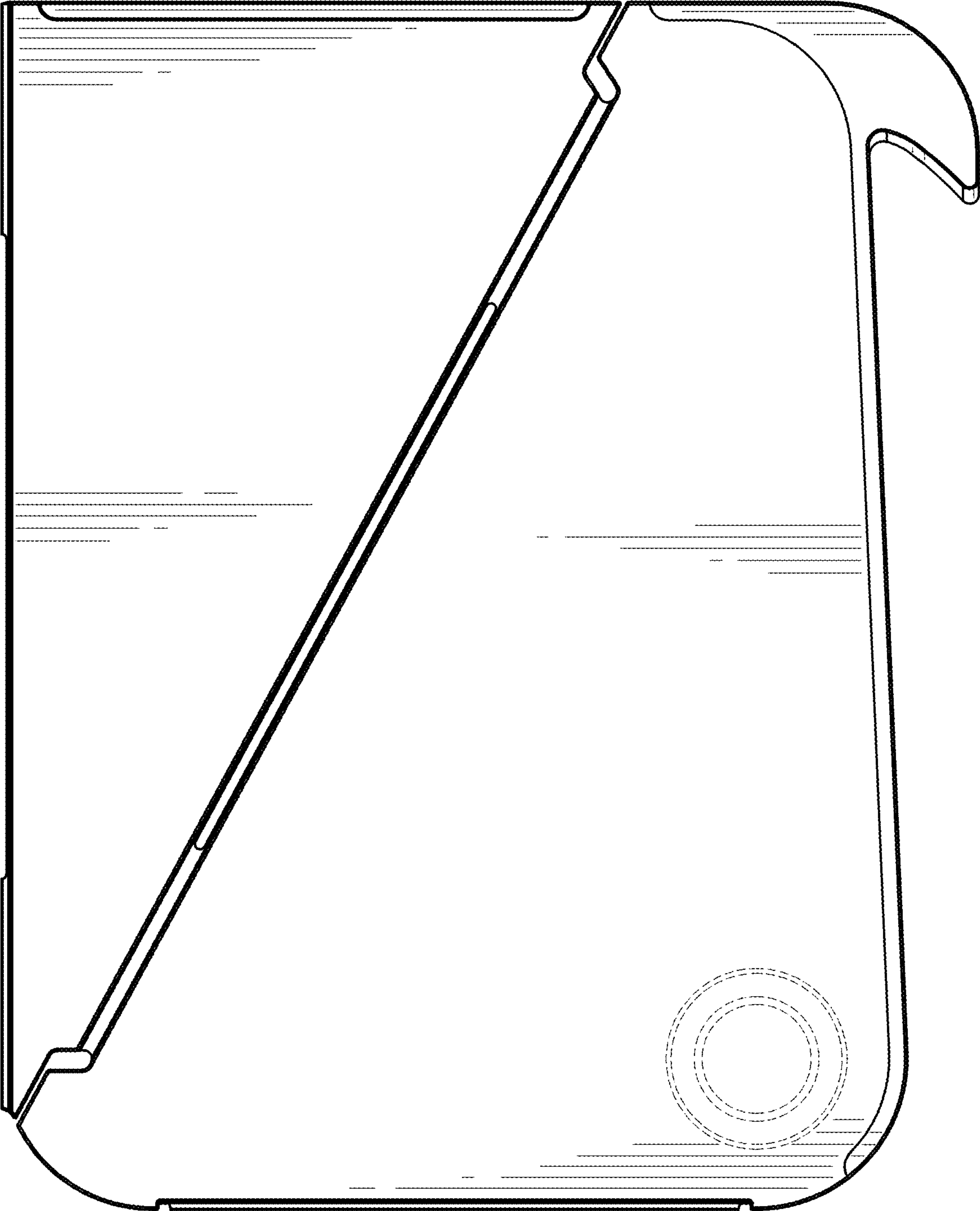


FIG. 11

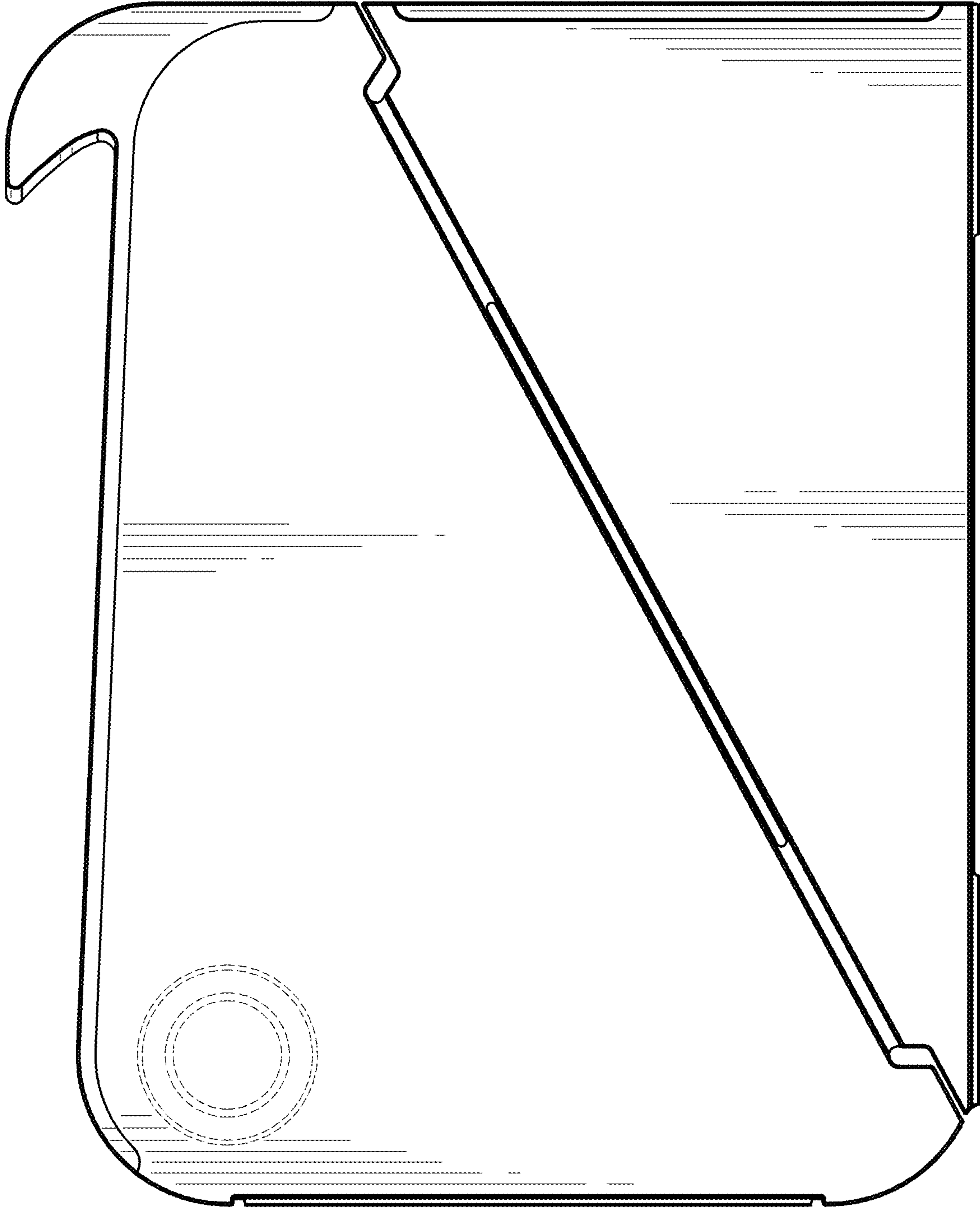


FIG. 12

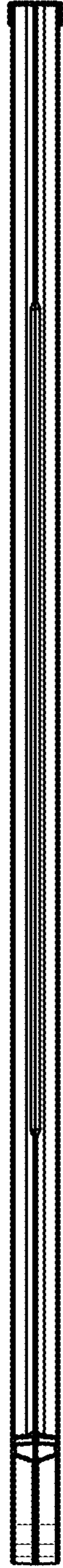


FIG. 13



FIG. 14

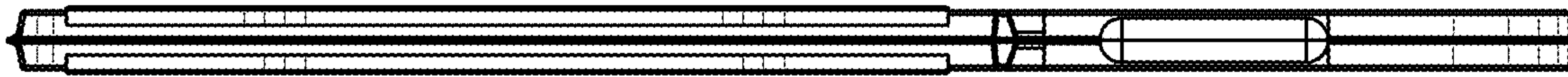


FIG. 15



FIG. 16

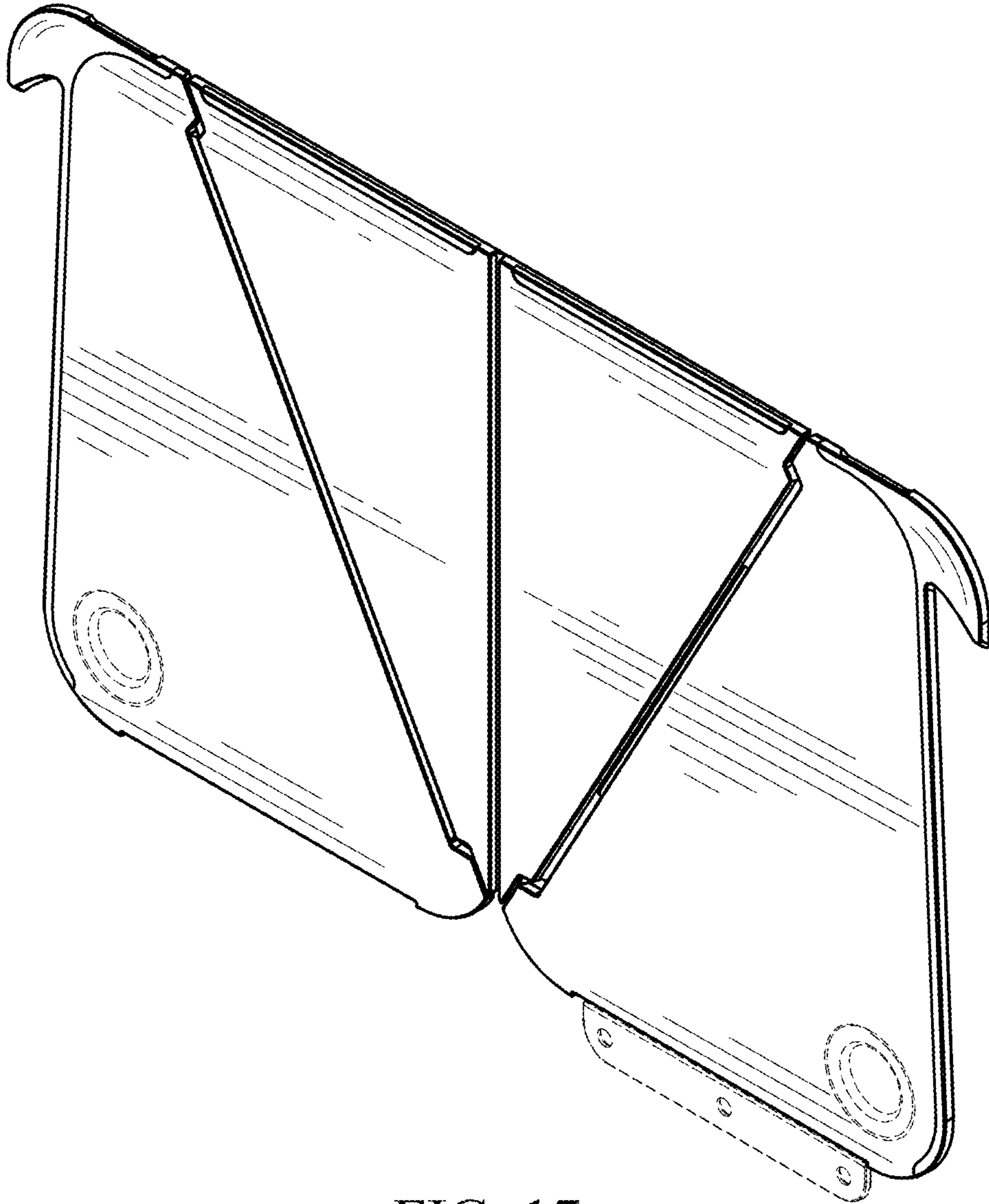


FIG. 17

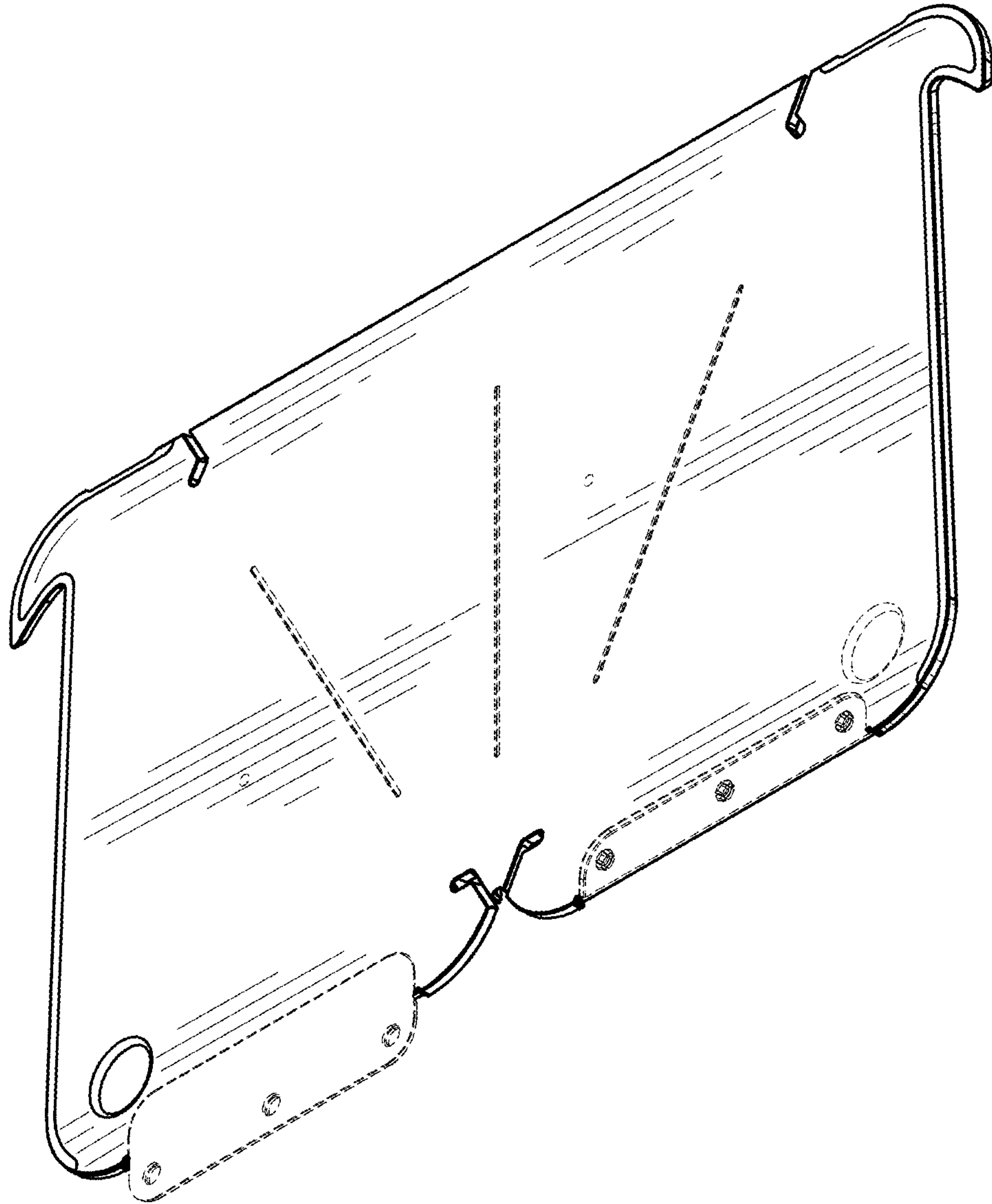


FIG. 18

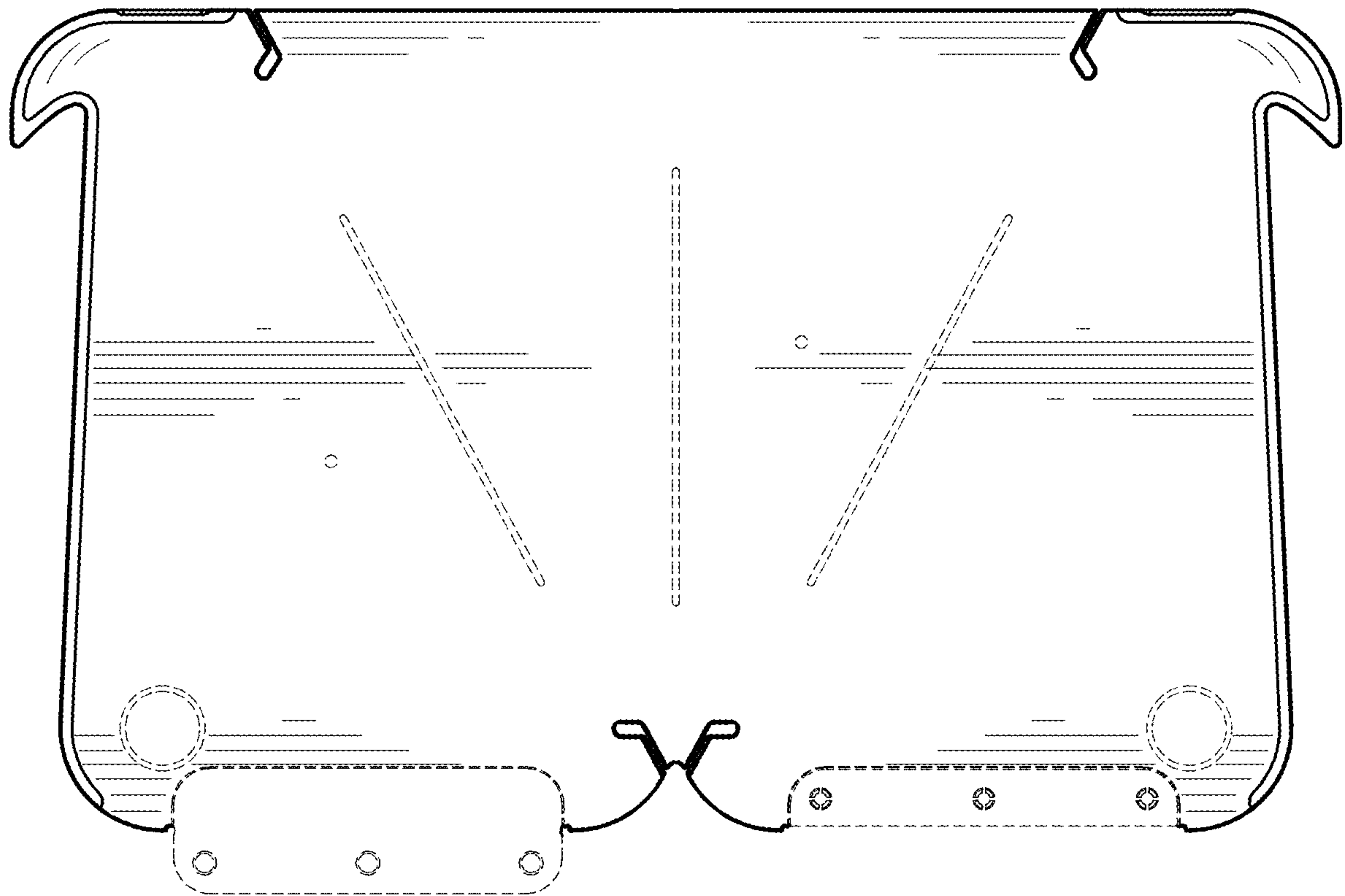


FIG. 19

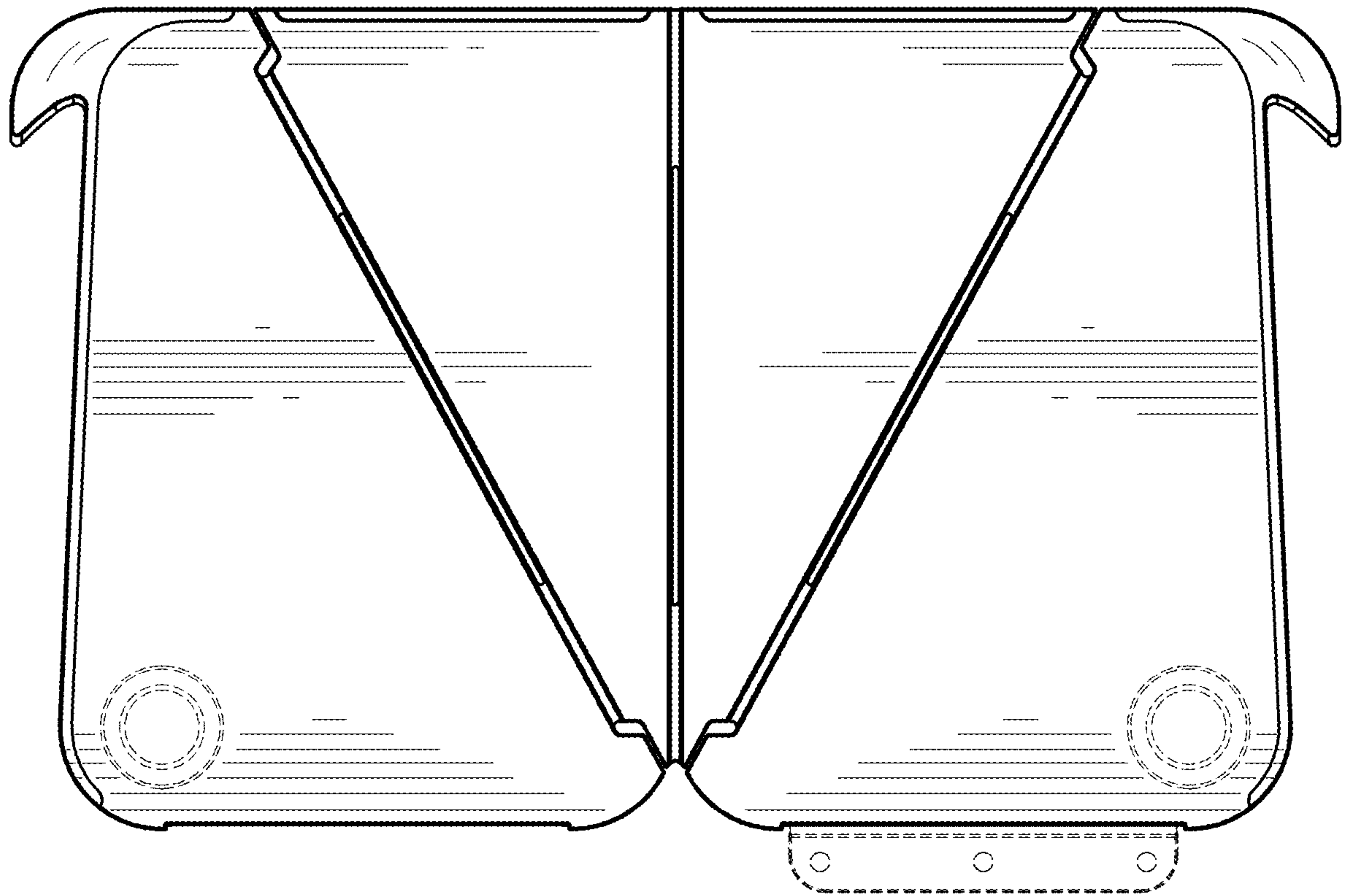


FIG. 20



FIG. 21



FIG. 22



FIG. 23



FIG. 24