



US00D949868S

(12) **United States Design Patent**
Li

(10) **Patent No.:** **US D949,868 S**

(45) **Date of Patent:** **** Apr. 26, 2022**

(54) **PROTECTIVE COVER FOR EARPHONE CHARGING CASE**

(71) Applicant: **Shenzhen Yuxingda Digital Technology Co., Ltd., Shenzhen (CN)**

(72) Inventor: **Weihuan Li, Shenzhen (CN)**

(73) Assignee: **Shenzhen Yuxingda Digital Technology Co., Ltd., Shenzhen (CN)**

(**) Term: **15 Years**

(21) Appl. No.: **29/803,289**

(22) Filed: **Aug. 12, 2021**

(30) **Foreign Application Priority Data**

Jul. 23, 2021 (EM) 008621726-0001
Jul. 23, 2021 (EM) 008621726-0002

(51) **LOC (13) Cl.** **14-02**

(52) **U.S. Cl.**
USPC **D14/440**

(58) **Field of Classification Search**
USPC D14/440, 447, 250; 206/45.23, 320,
206/45.2; 361/679.55; 294/25; 224/218;
D3/294; D9/420
CPC G06F 1/1628; G06F 1/1626; A47B 23/044
See application file for complete search history.

(56) **References Cited**

U.S. PATENT DOCUMENTS

D467,799 S * 12/2002 Persson D9/420
D648,980 S * 11/2011 Forti D7/363
D731,178 S * 6/2015 Gorouvein D3/265
D775,818 S * 1/2017 Ingraham D3/218
D838,480 S * 1/2019 Son D3/294
D841,580 S * 2/2019 Bao D13/108
D841,581 S * 2/2019 Bonahoom D13/108
D849,401 S * 5/2019 Akana D3/274

D862,425 S * 10/2019 Yan D14/223
D862,435 S * 10/2019 Kwak D14/240
D864,110 S * 10/2019 Yoshimura D13/108
D864,971 S * 10/2019 Lee D14/440
D868,465 S * 12/2019 Lee D3/269
D869,147 S * 12/2019 Lian D3/201
D869,161 S * 12/2019 Zhong D3/294
D869,163 S * 12/2019 Maguire D3/301
D870,037 S * 12/2019 Lee D13/107
D870,451 S * 12/2019 Birger D3/201

(Continued)

Primary Examiner — Cynthia R Underwood

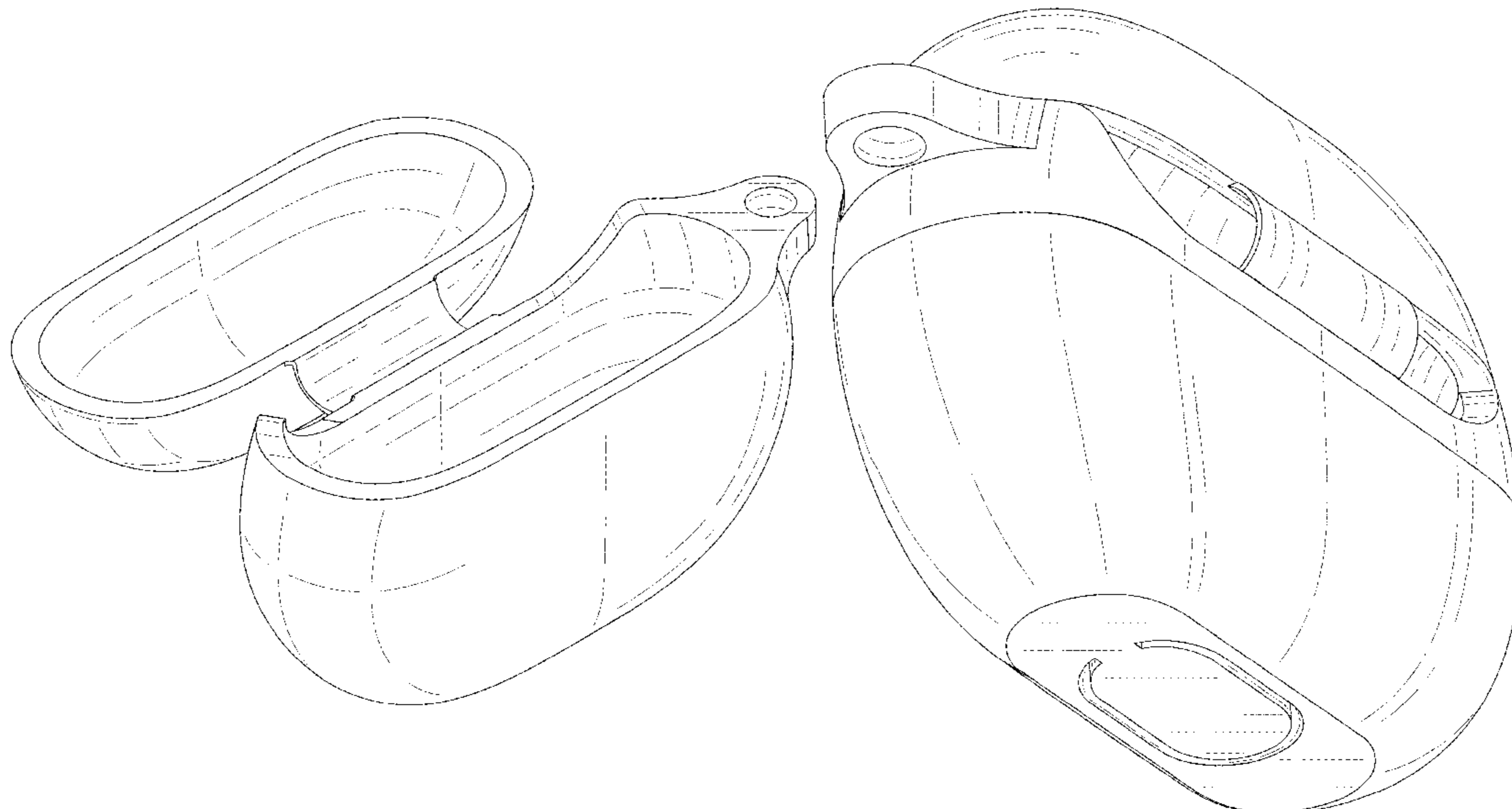
(57) **CLAIM**

The ornamental design for a protective cover for earphone charging case, as shown and described.

DESCRIPTION

FIG. 1 is a perspective view of first embodiment of a protective cover for earphone charging case, showing my new design;
FIG. 2 is a view of open state;
FIG. 3 is a front view thereof;
FIG. 4 is a rear view thereof;
FIG. 5 is a left side view thereof;
FIG. 6 is a right side view thereof;
FIG. 7 is a top plan view thereof;
FIG. 8 is a bottom plan view thereof;
FIG. 9 is a perspective view of second embodiment of a protective cover for earphone charging case, showing my new design;
FIG. 10 is a view of open state;
FIG. 11 is another perspective view thereof;
FIG. 12 is a front view thereof;
FIG. 13 is a rear view thereof;
FIG. 14 is a left side view thereof;
FIG. 15 is a right side view thereof;
FIG. 16 is a top plan view thereof; and,
FIG. 17 is a bottom plan view thereof.

1 Claim, 17 Drawing Sheets



(56)

References Cited

U.S. PATENT DOCUMENTS

D872,094 S * 1/2020 Wright D14/440
D872,468 S * 1/2020 Lee D3/269
D872,469 S * 1/2020 Lee D3/269
D873,217 S * 1/2020 Zhang D13/108
D874,826 S * 2/2020 Zhang D3/303
D878,045 S * 3/2020 Akana D3/274
D878,754 S * 3/2020 Lee D3/270
D881,179 S * 4/2020 Wright D14/250
D881,572 S * 4/2020 Wang D3/294
D882,259 S * 4/2020 Liu D3/269
D888,039 S * 6/2020 Wright D14/250
D888,040 S * 6/2020 Wright D14/250
D888,041 S * 6/2020 Wright D14/250
D888,042 S * 6/2020 Wright D14/250
D888,043 S * 6/2020 Wright D14/250
D888,408 S * 6/2020 Lee D3/201
D891,771 S * 8/2020 Lee D3/269
D892,497 S * 8/2020 Wright D3/294
D892,498 S * 8/2020 Wright D3/294
D901,177 S * 11/2020 Wei D3/294
D911,711 S * 3/2021 Feng D3/294
D914,604 S * 3/2021 Wang D13/118
11,039,523 B2 * 6/2021 Wang H05B 47/12
D924,567 S * 7/2021 Jung D3/302
D926,470 S * 8/2021 Luo D3/294
D927,181 S * 8/2021 Jung D3/294
D936,968 S * 11/2021 Chen D3/294
2020/0100573 A1 * 4/2020 Ekelund A45C 11/00

* cited by examiner

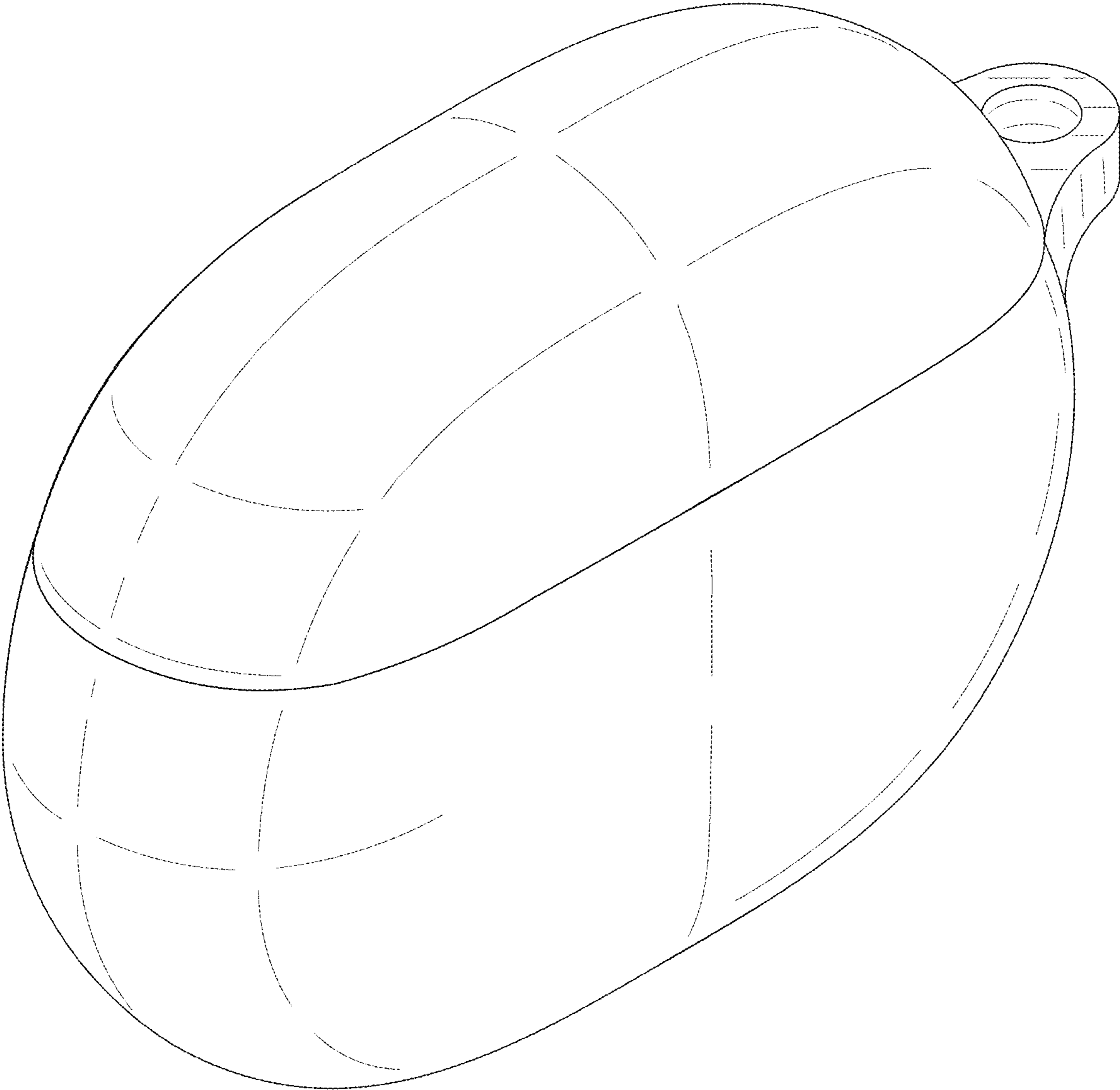


FIG. 1

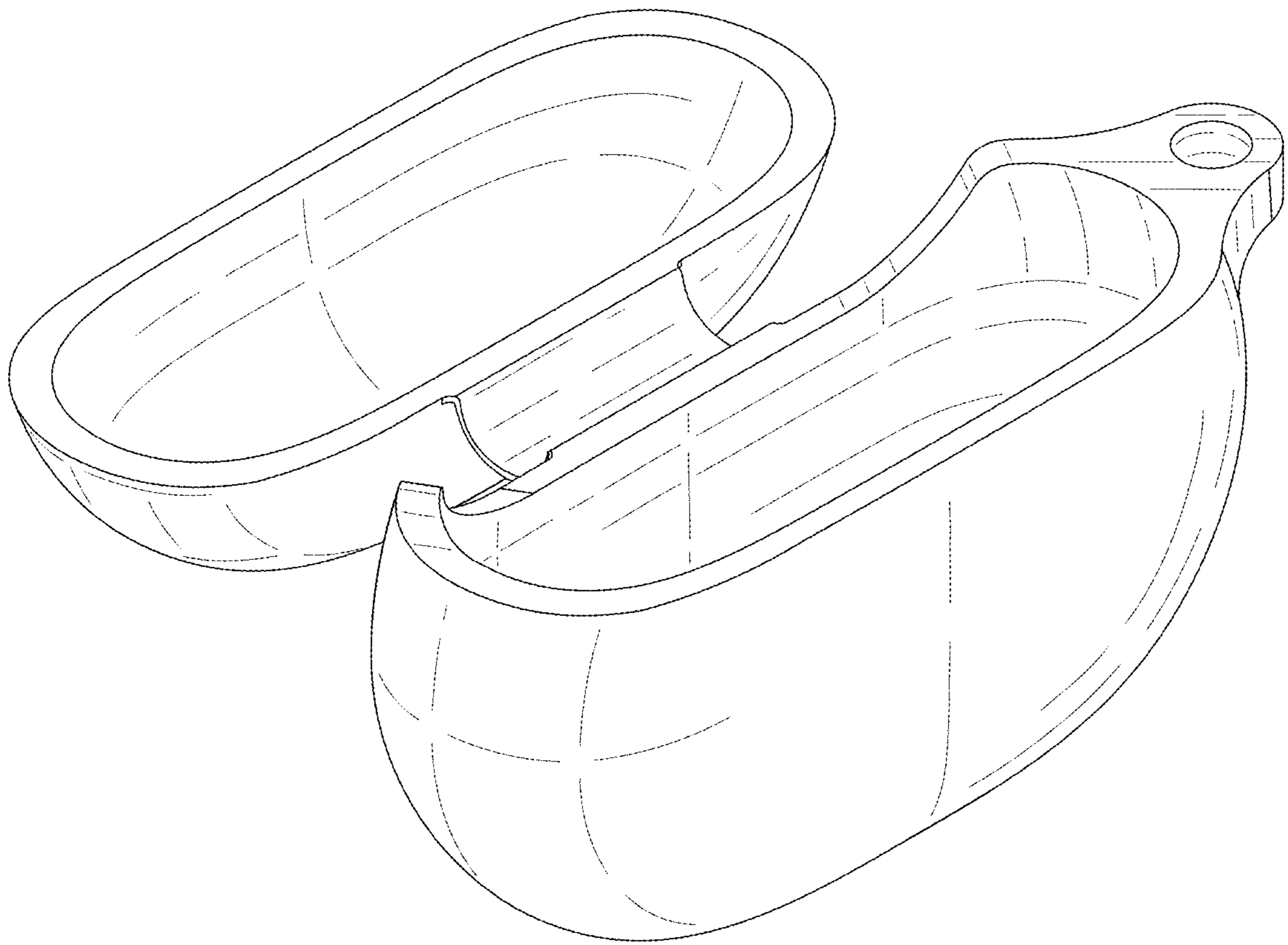


FIG. 2

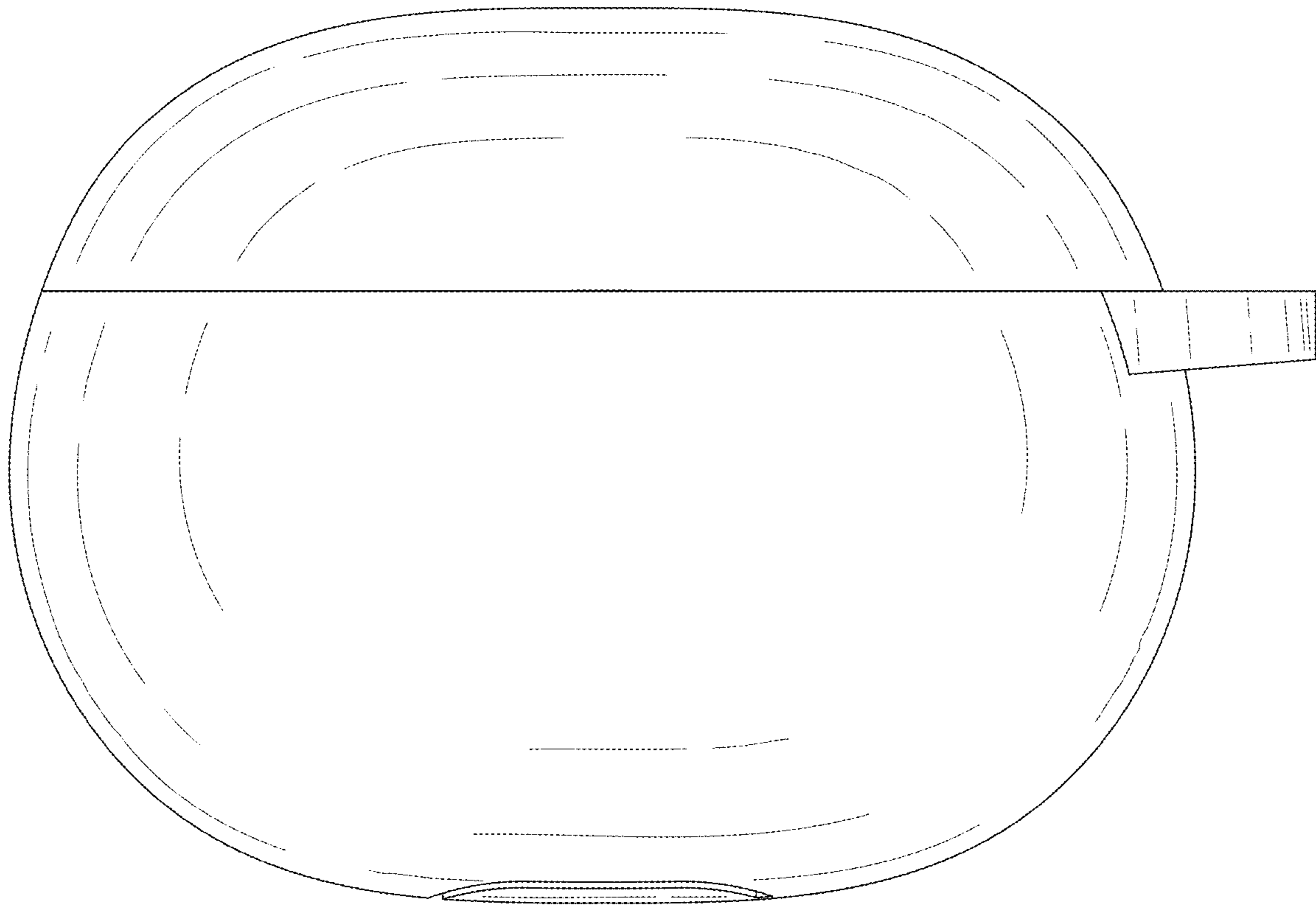


FIG. 3

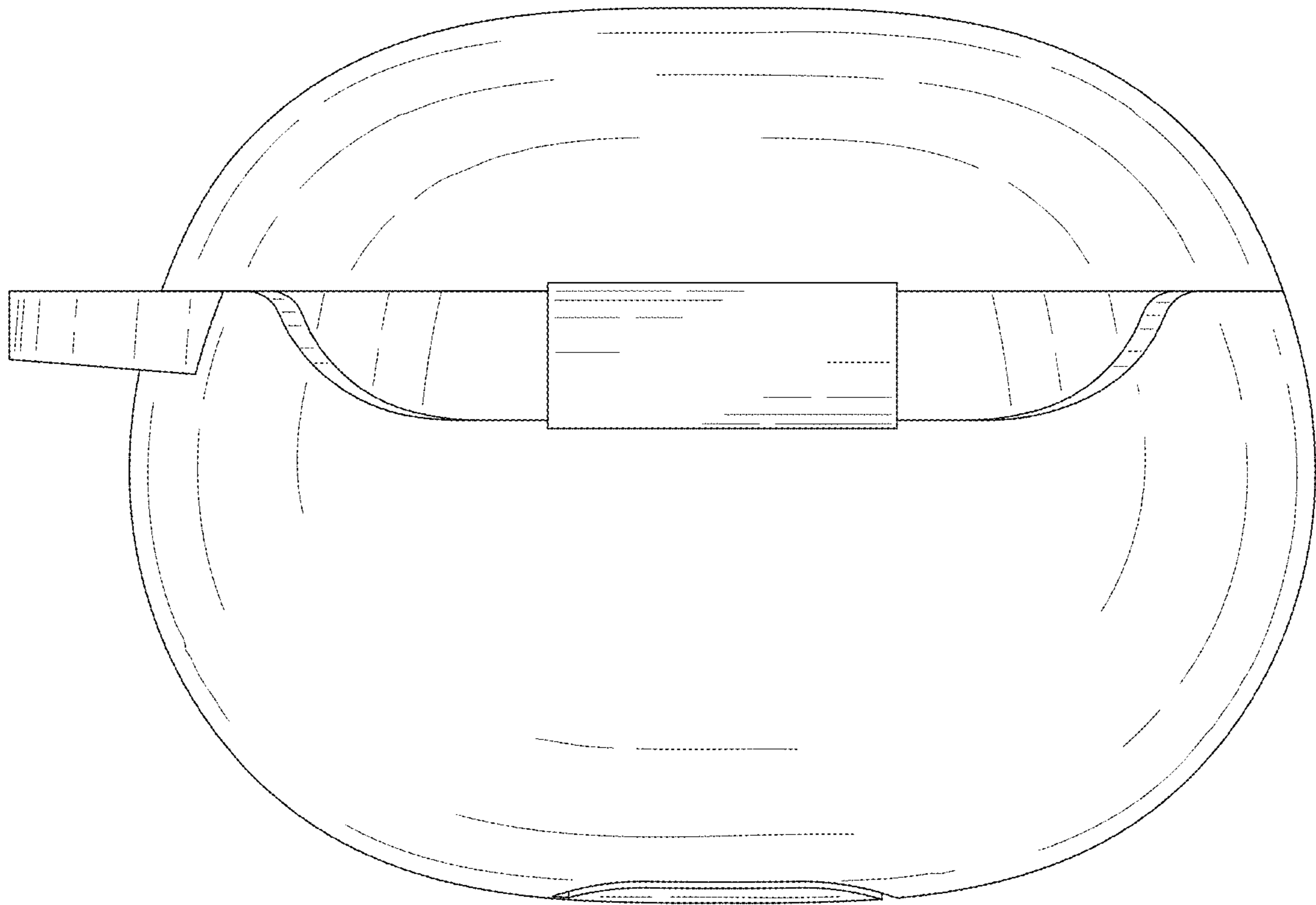


FIG. 4

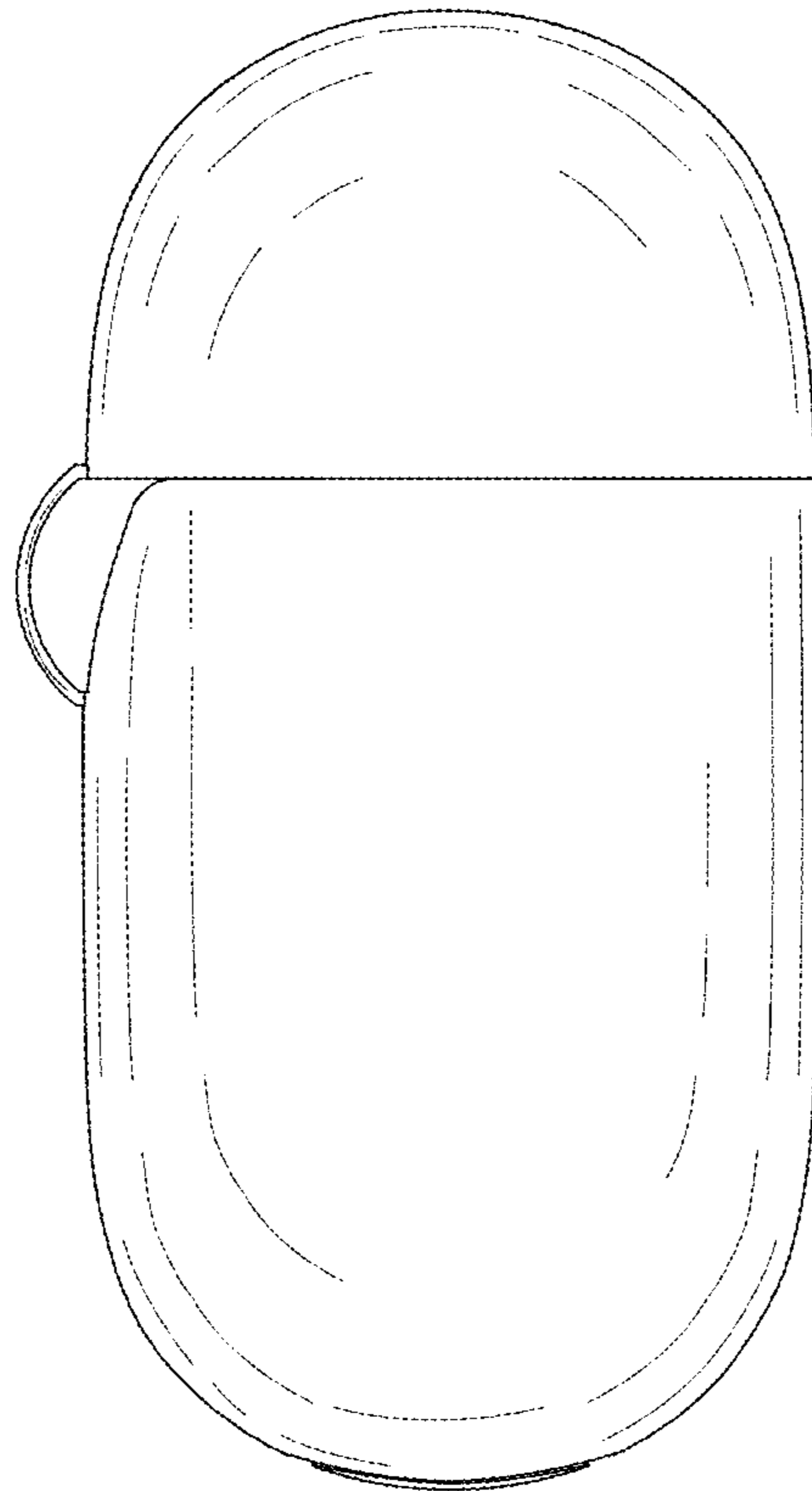


FIG. 5

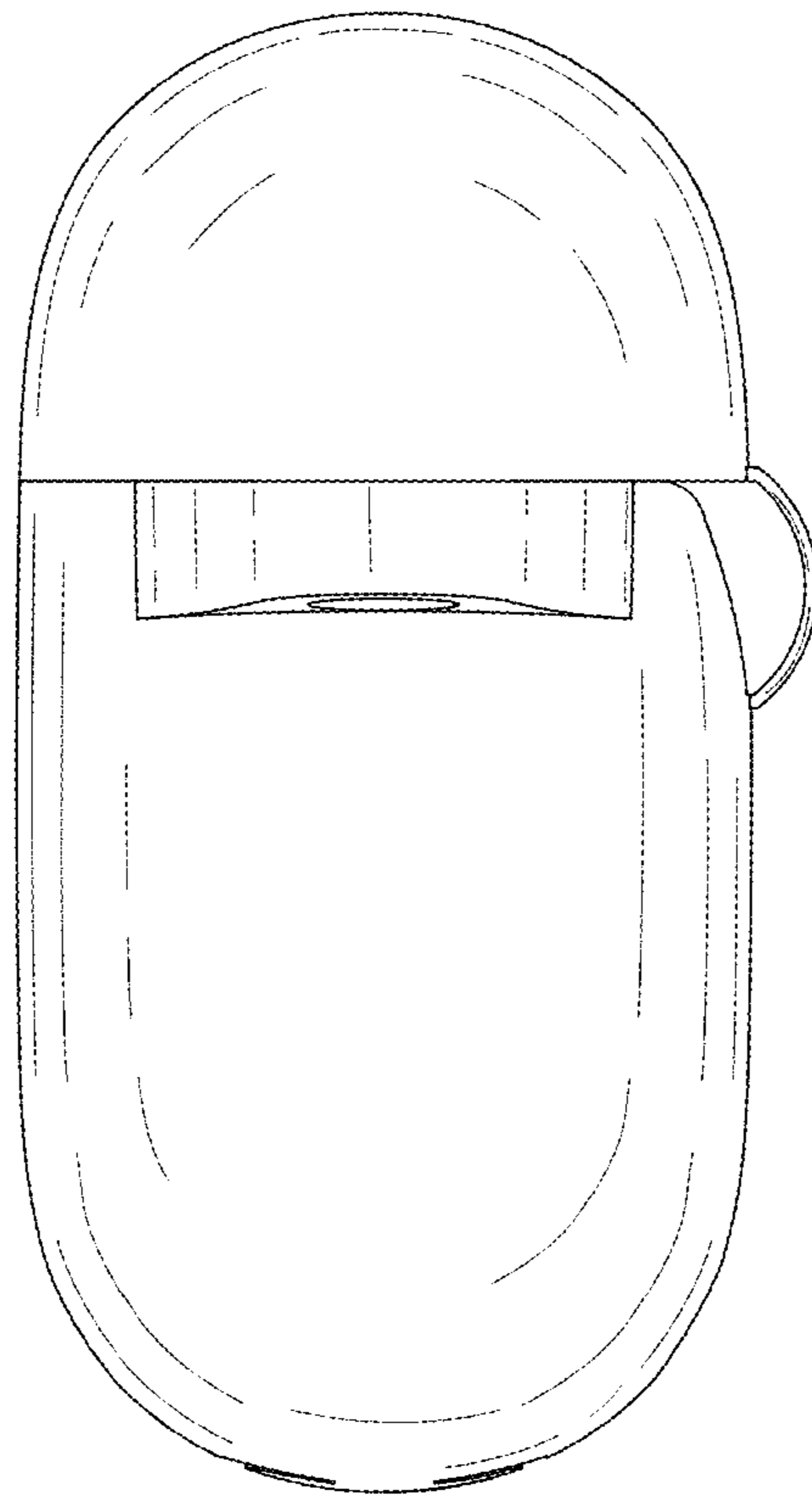


FIG. 6

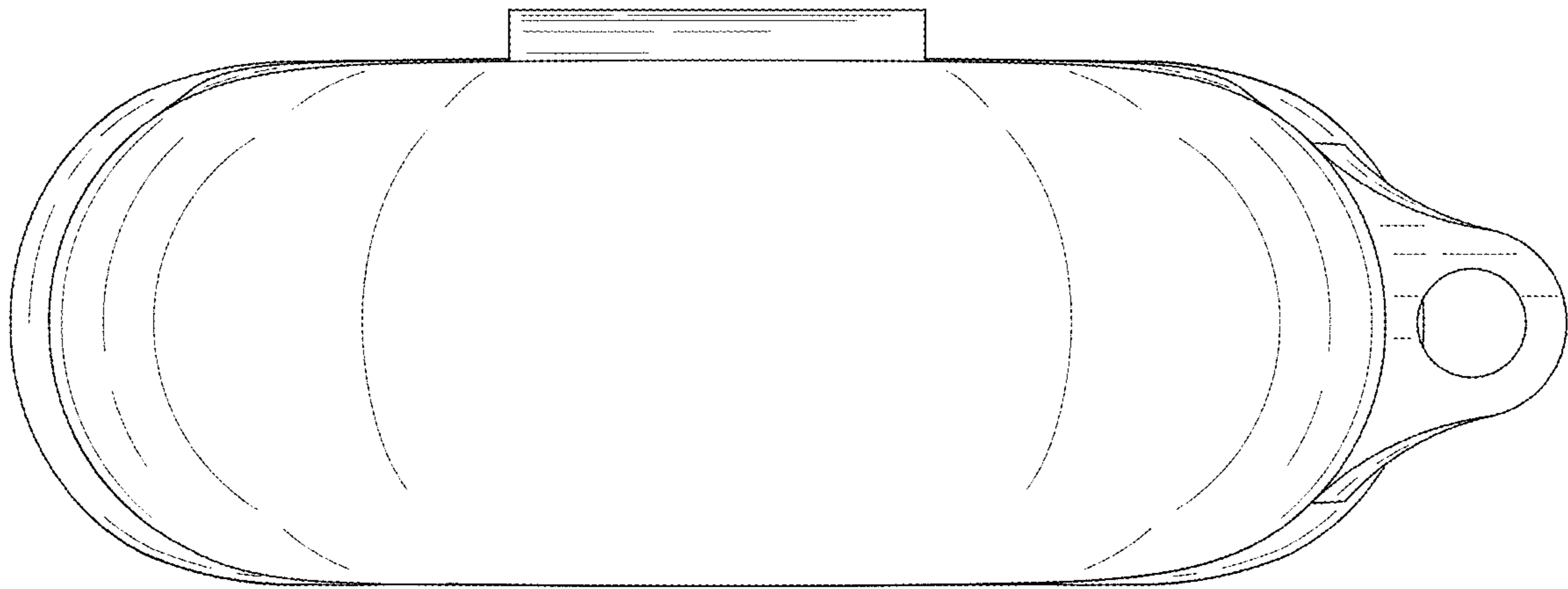


FIG. 7

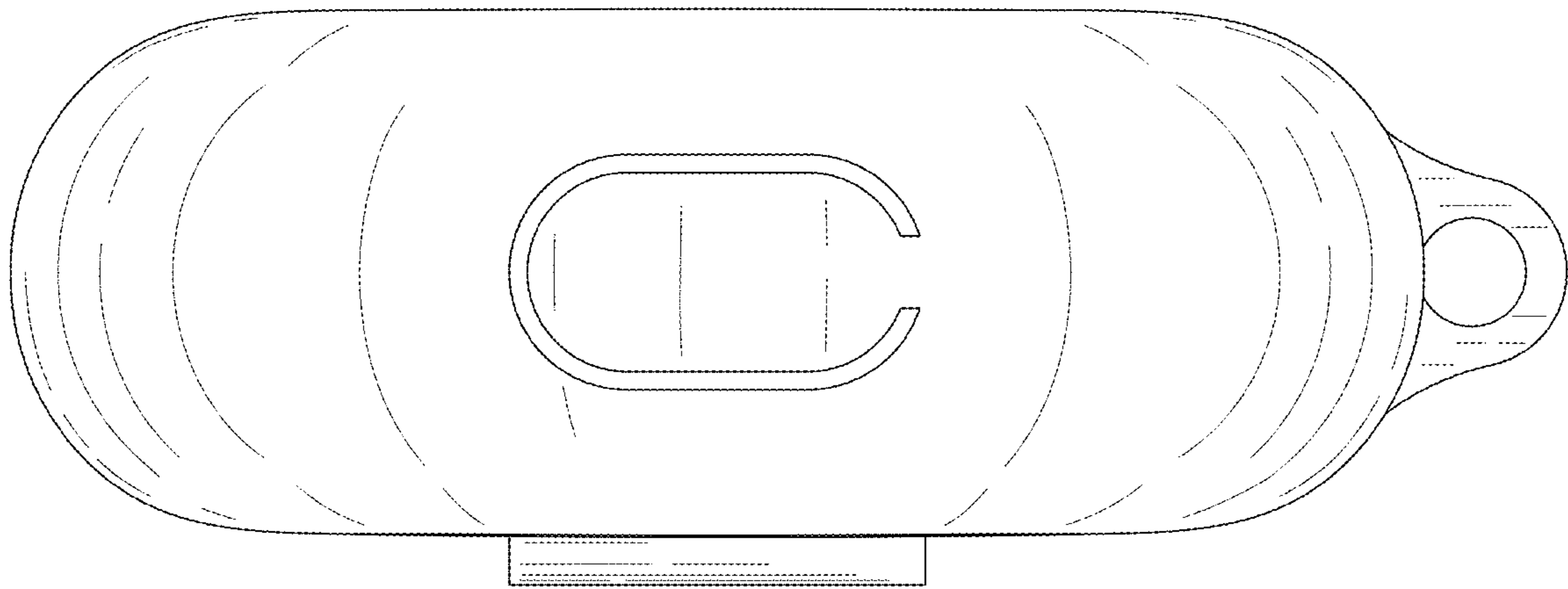


FIG. 8

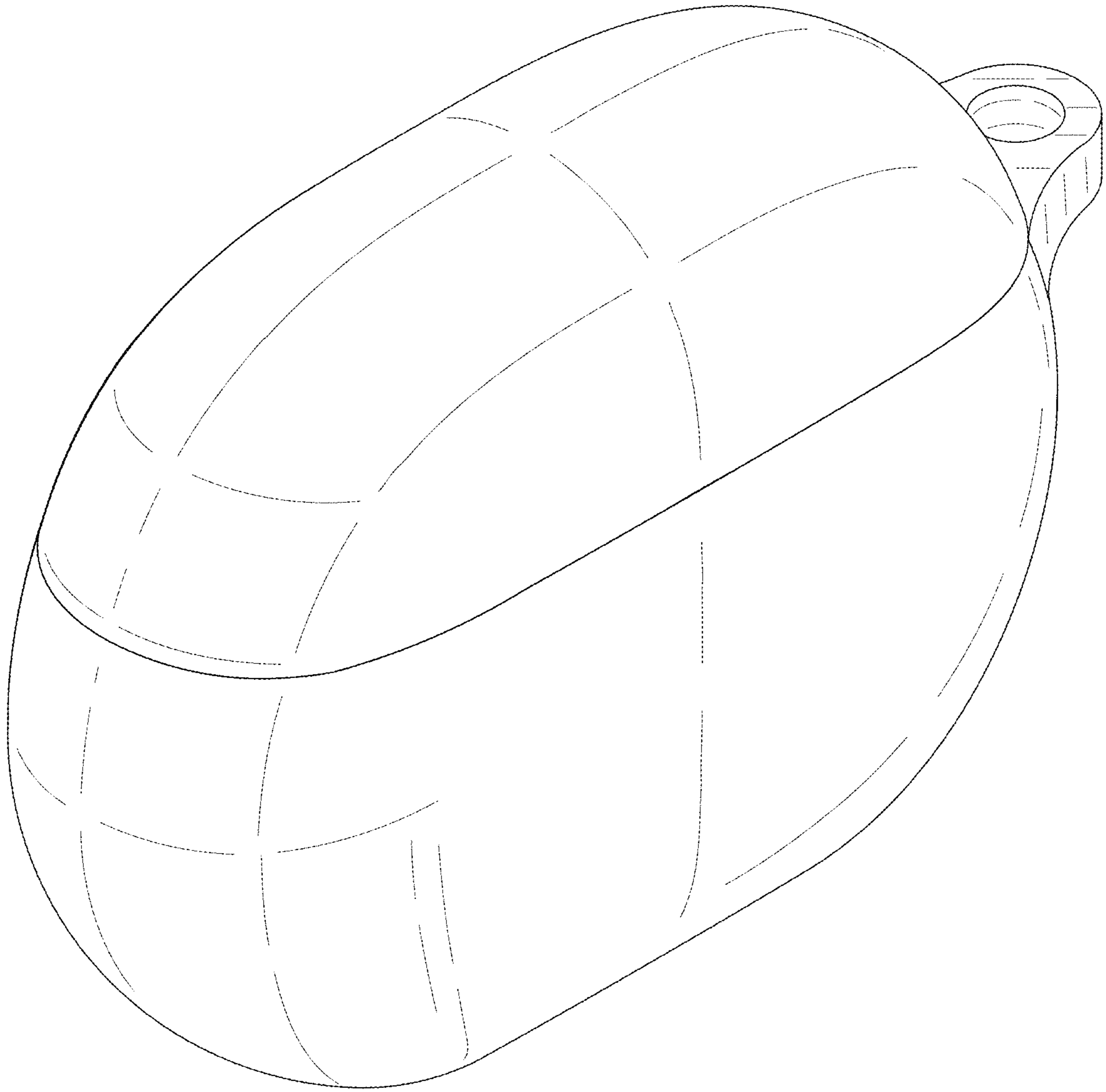


FIG. 9

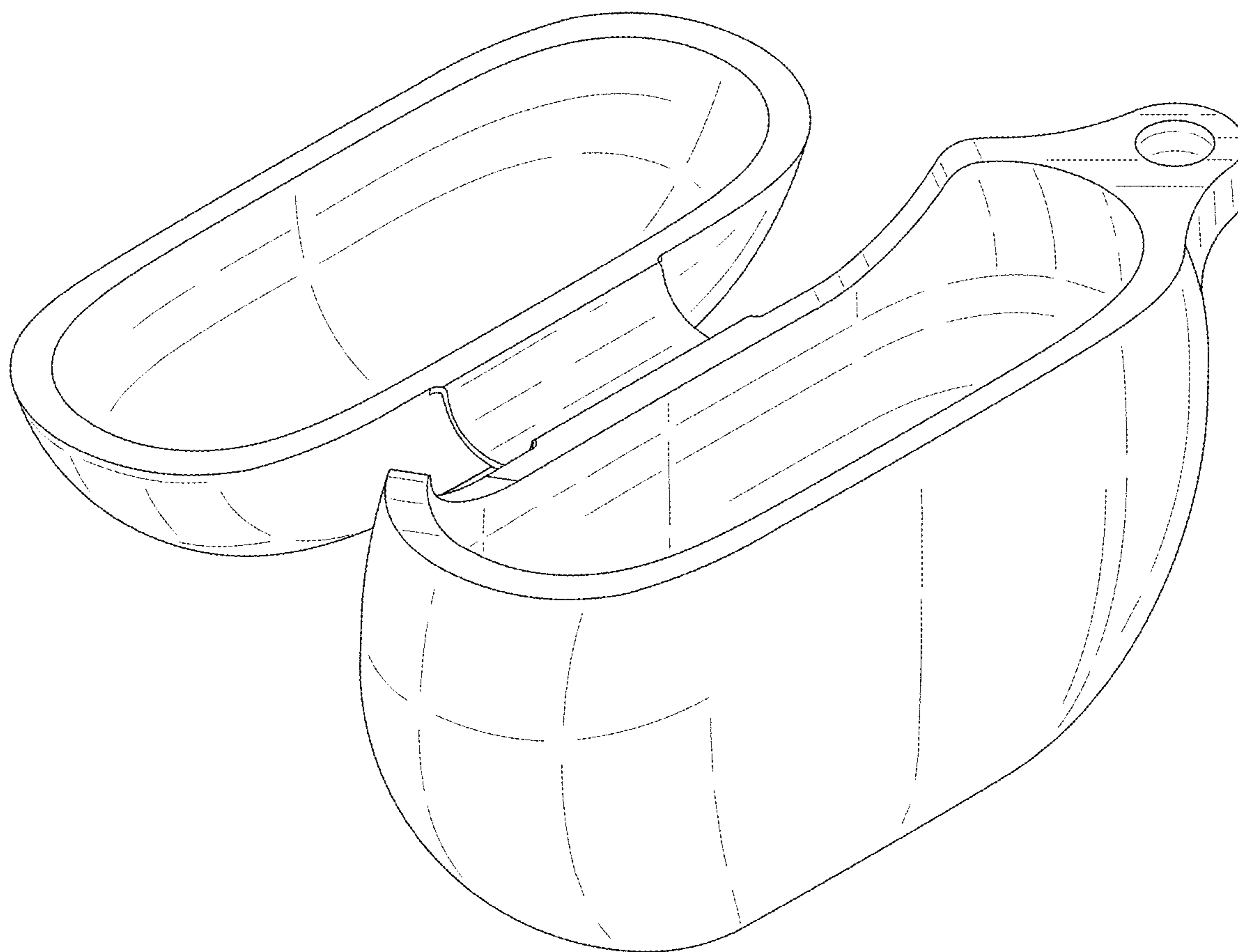


FIG. 10

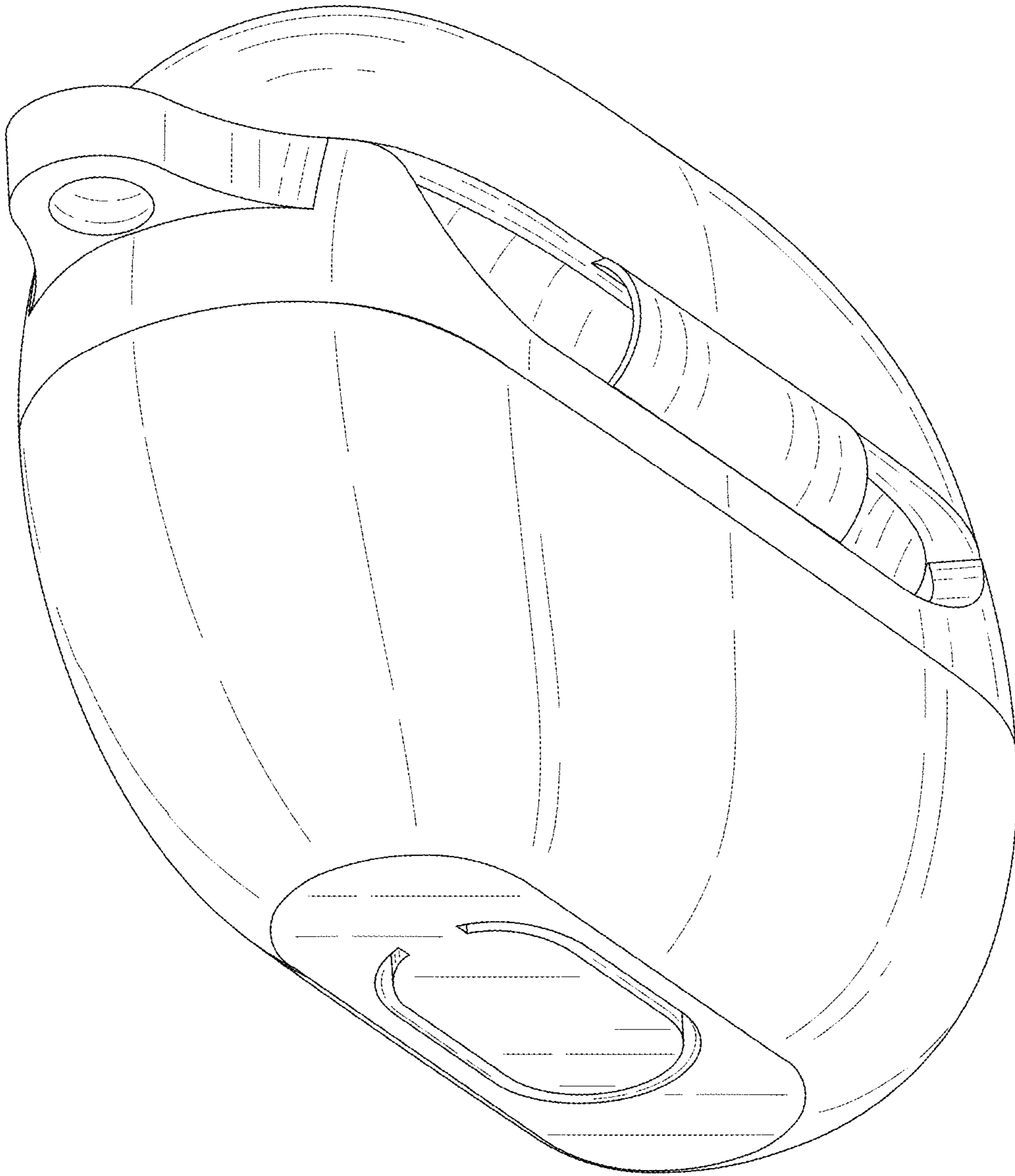


FIG. 11

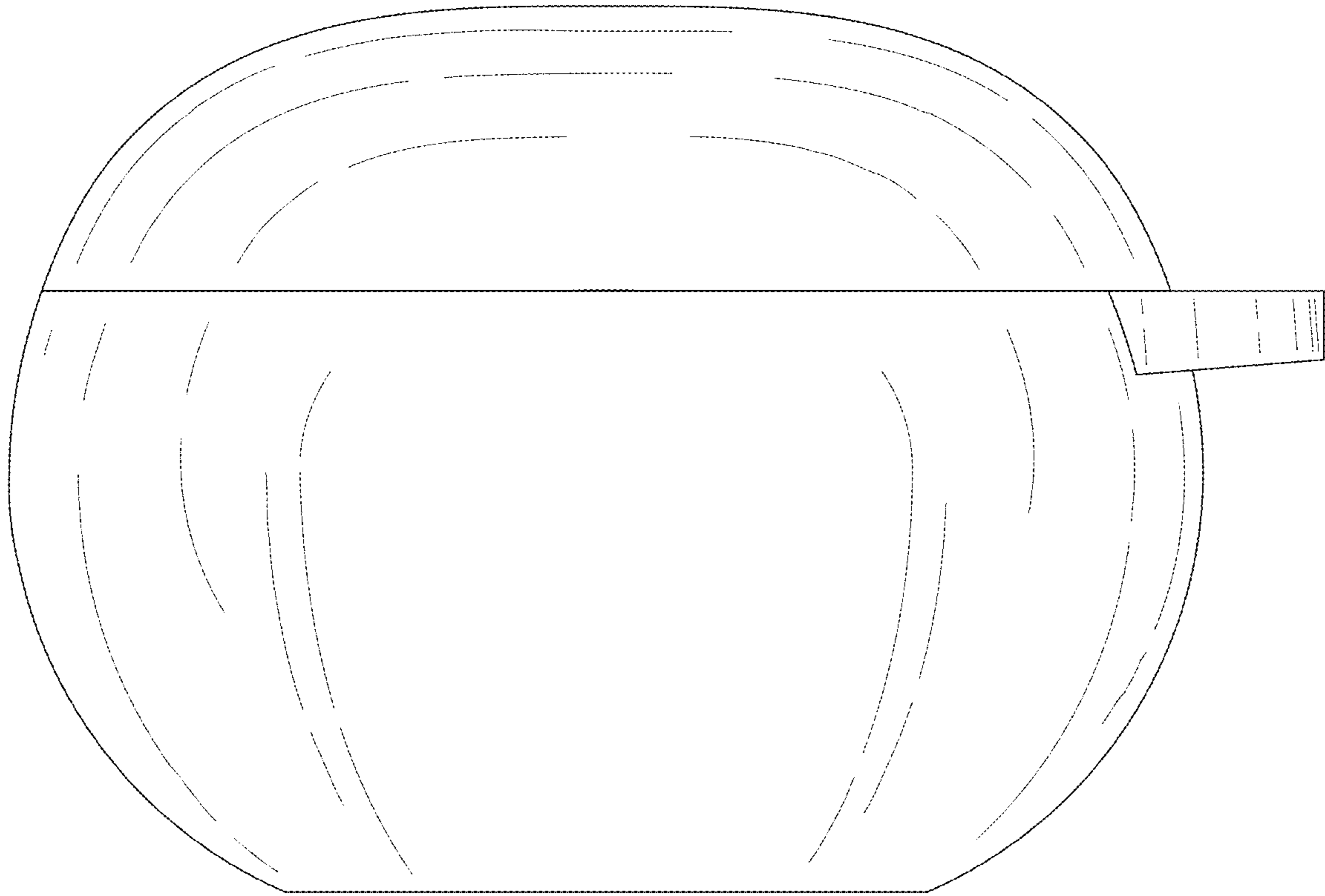


FIG. 12

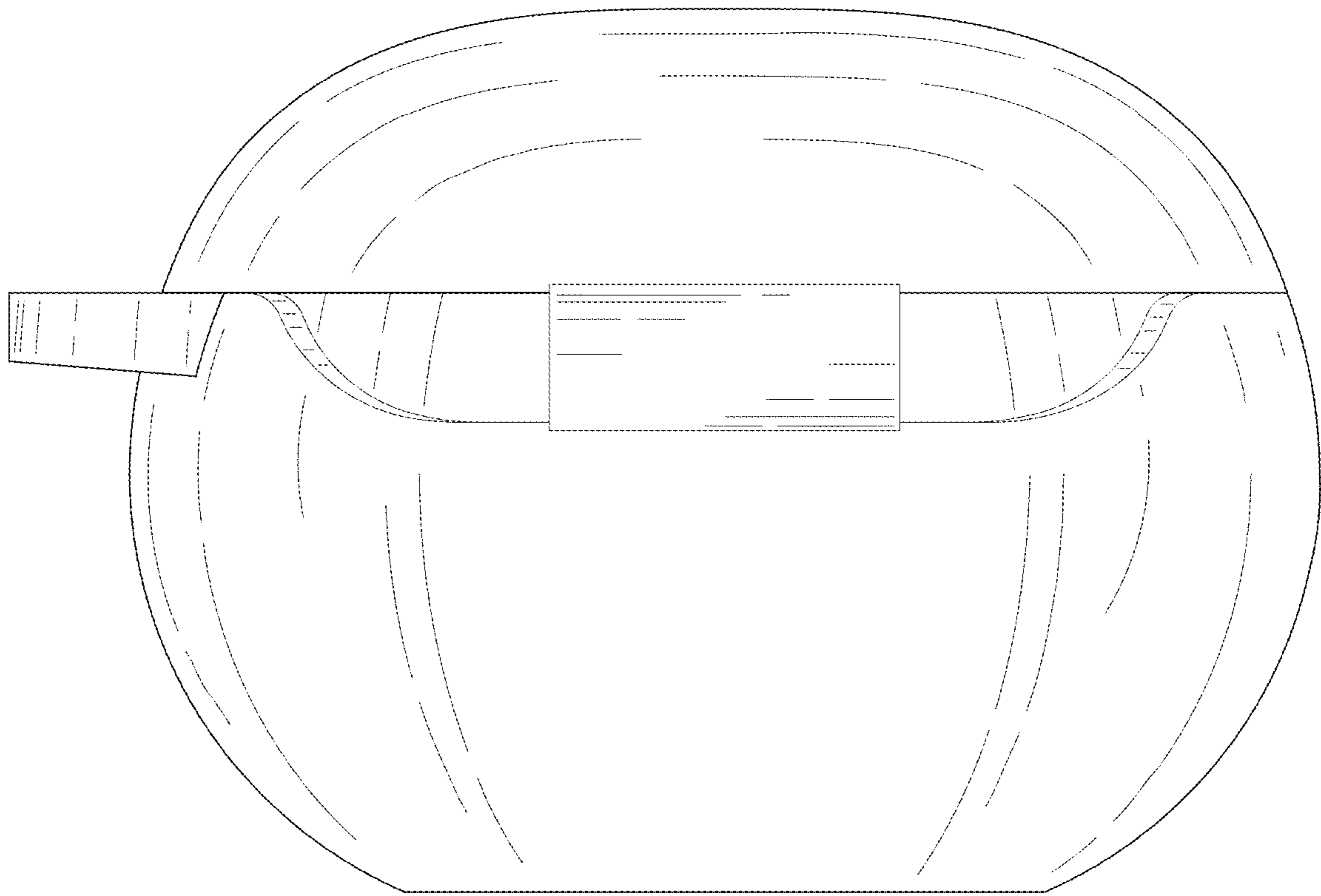


FIG. 13

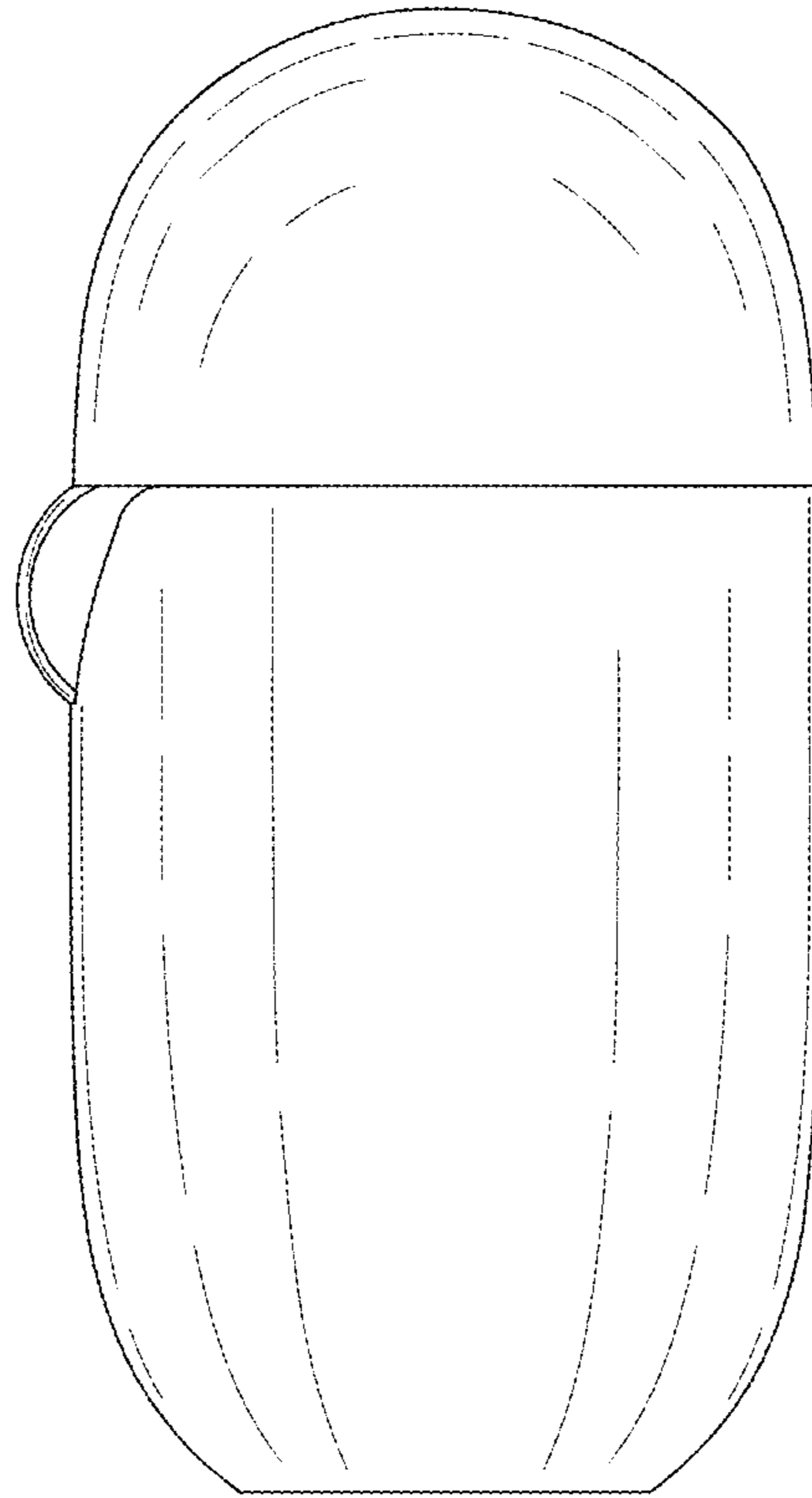


FIG. 14

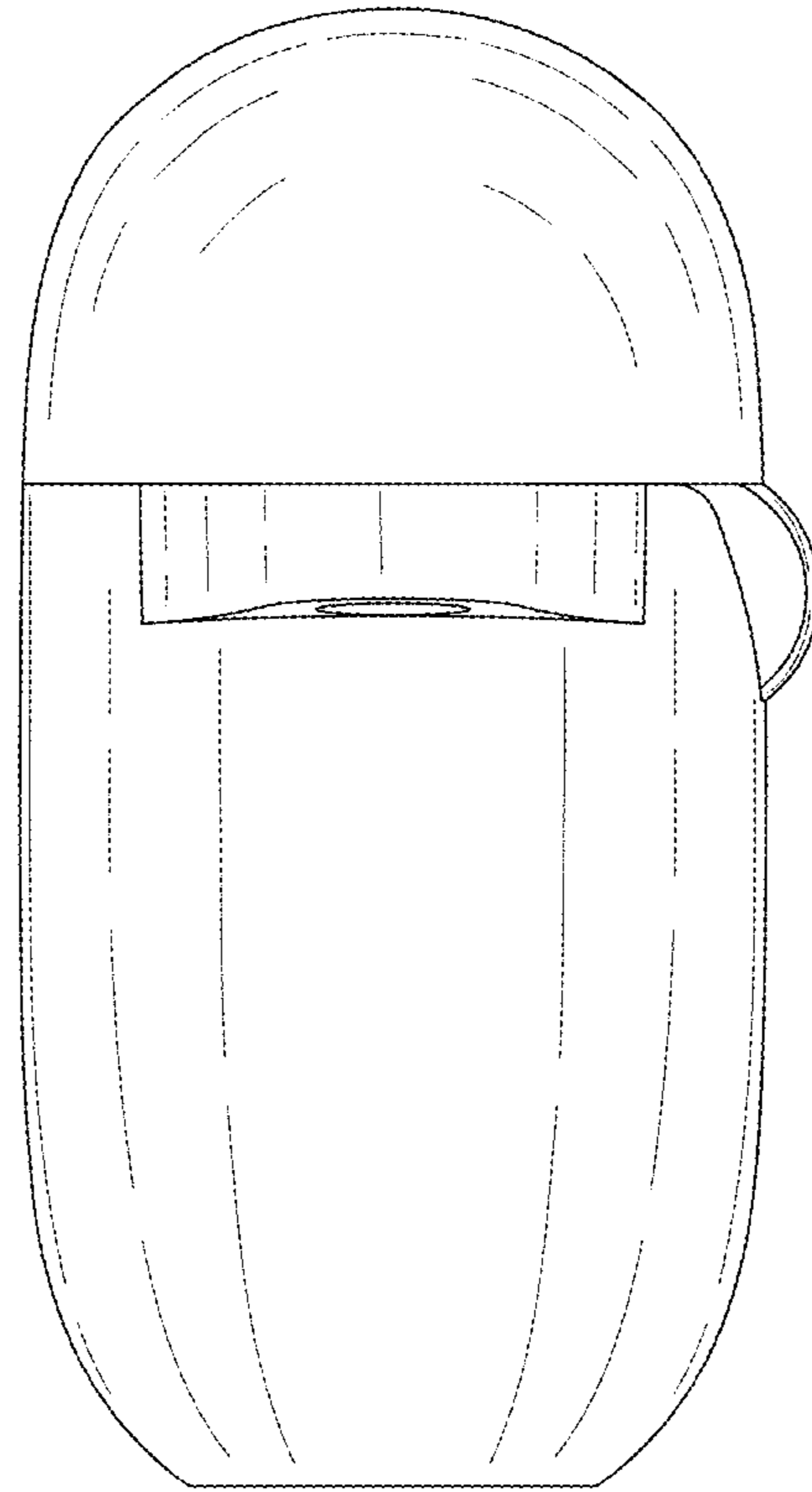


FIG. 15

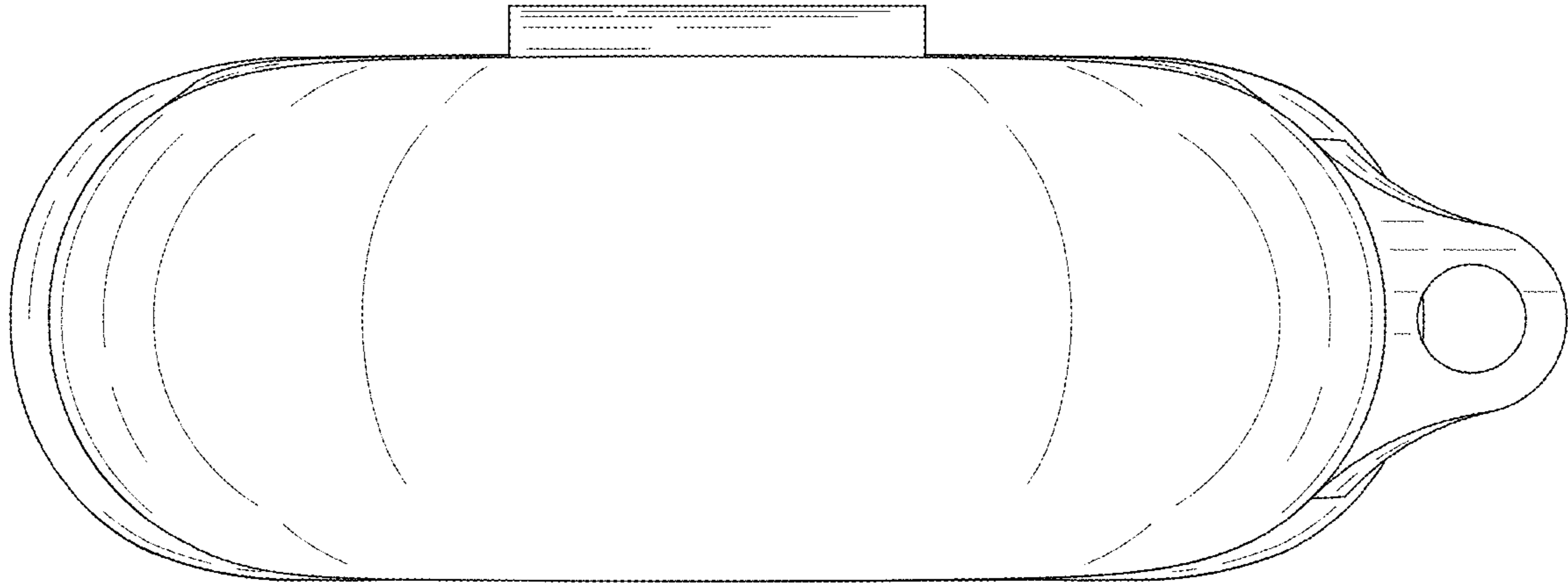


FIG. 16

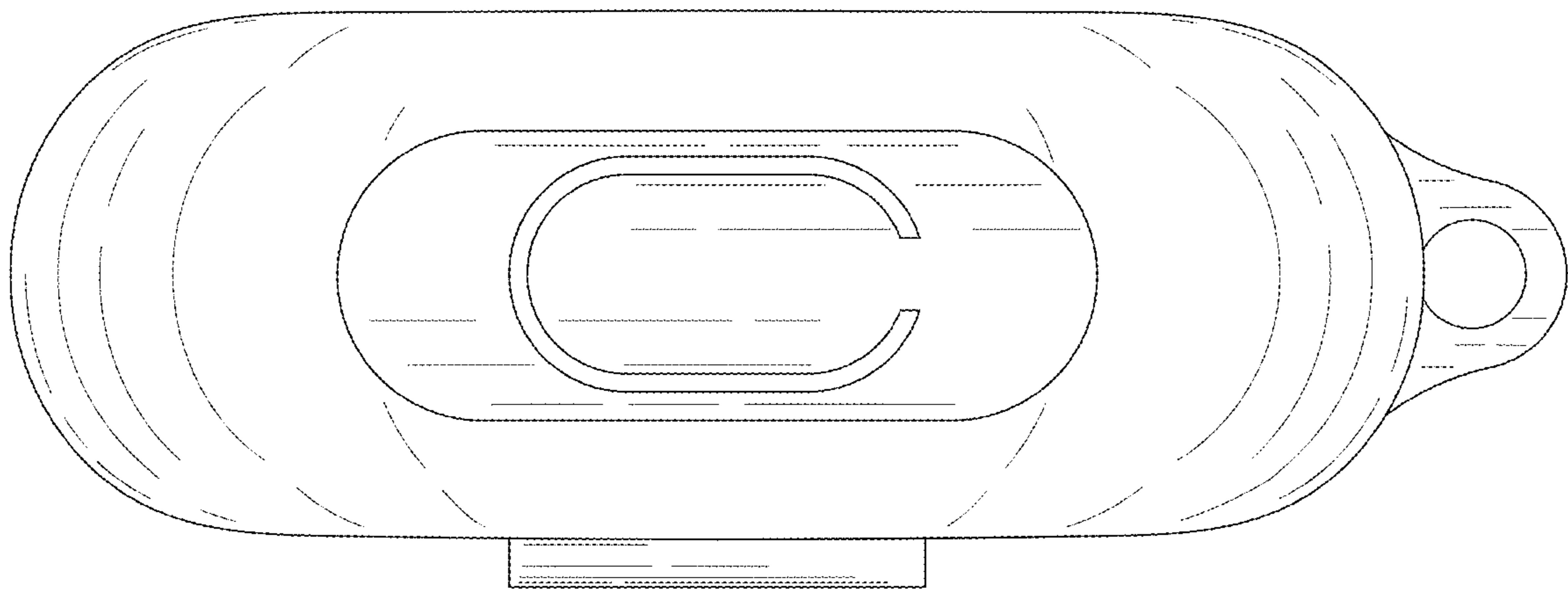


FIG. 17