



US00D949867S

(12) **United States Design Patent**
Wu

(10) **Patent No.:** **US D949,867 S**
(45) **Date of Patent:** **** Apr. 26, 2022**

- (54) **TABLET CASE**
- (71) Applicant: **Shenzhen Huaruixin Trading Co., Ltd., Shenzhen (CN)**
- (72) Inventor: **Dingping Wu, Shenzhen (CN)**
- (73) Assignee: **Shenzhen Huaruixin Trading Co., Ltd., Shenzhen (CN)**
- (**) Term: **15 Years**
- (21) Appl. No.: **29/787,691**
- (22) Filed: **Jun. 8, 2021**
- (51) **LOC (13) Cl.** **14-02**
- (52) **U.S. Cl.**
USPC **D14/440**
- (58) **Field of Classification Search**
USPC D14/440, 447, 250; 206/45.23, 320,
206/45.2; 361/679.55; 294/25; 224/218;
455/575.8
CPC ... G06F 1/1628; G06F 1/1626; A47B 23/044;
H04B 1/3888; A45C 11/00
See application file for complete search history.

- D706,783 S * 6/2014 Almodova D14/440
- D707,229 S * 6/2014 Almodova D14/440
- 8,757,375 B2 * 6/2014 Huang A47B 23/043
206/45.24
- D708,838 S * 7/2014 Lee D3/201
- 8,763,795 B1 * 7/2014 Oten A45C 11/00
206/45.24

(Continued)

Primary Examiner — Cynthia R Underwood
(74) *Attorney, Agent, or Firm* — ScienBiziP, P.C.

(57) **CLAIM**

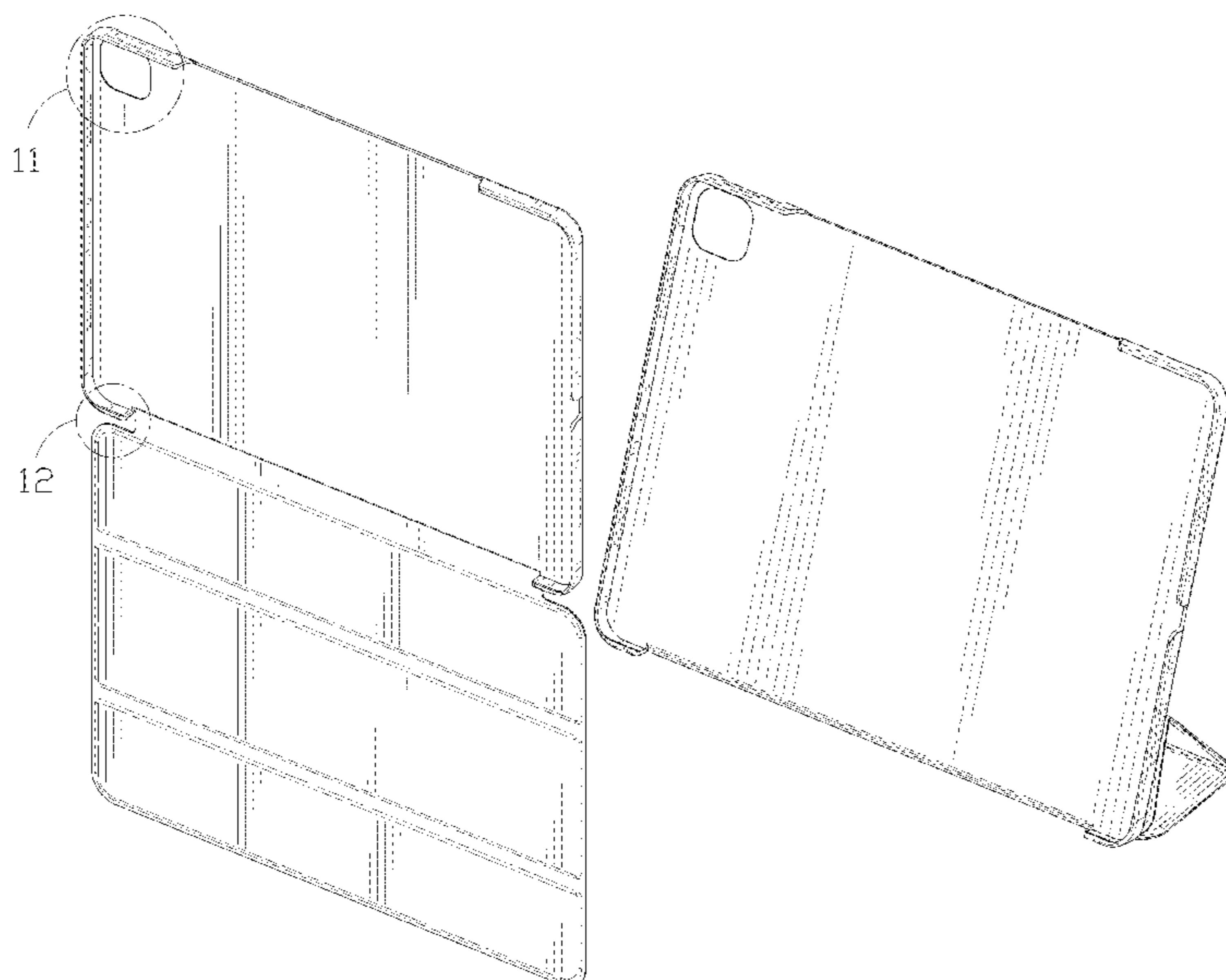
The ornamental design for a tablet case, as shown and described.

DESCRIPTION

FIG. 1 is a front, right, and top perspective view of a tablet case, showing my design.
 FIG. 2 is a rear, left, and bottom perspective view thereof.
 FIG. 3 is a front elevation view thereof.
 FIG. 4 is a rear elevation view thereof.
 FIG. 5 is a left side elevation view thereof.
 FIG. 6 is a right side elevation view thereof.
 FIG. 7 is a top plan view thereof.
 FIG. 8 is a bottom plan view thereof.
 FIG. 9 is a front, right, and top perspective view of a tablet case of FIG. 1, where in the lid of the tablet case is closed.
 FIG. 10 is a front, right, and top perspective view of a tablet case of FIG. 1, where in the lid of the tablet case is folded up.
 FIG. 11 is a partial enlarged view of an area labeled 11 in FIG. 1 comprising a lens hole; and,
 FIG. 12 is a partial enlarged view of an area labeled 12 in FIG. 1 comprising the part between the cover and the protective shell.
 The broken lines depict portions of the structure that forms no part of the claim. The dot-dash-dot lines marking the enlargements form no part of the claim.

1 Claim, 12 Drawing Sheets

- (56) **References Cited**
U.S. PATENT DOCUMENTS
- D658,187 S * 4/2012 Diebel G06F 1/1679
D14/440
- D658,188 S * 4/2012 Diebel D14/440
- 8,245,843 B1 * 8/2012 Wu H01M 10/465
206/320
- 8,312,991 B2 * 11/2012 Diebel G06F 1/1628
206/45.24
- D691,142 S * 10/2013 Diebel G06F 1/1679
D14/440
- 8,640,864 B2 * 2/2014 Chen G06F 1/1626
206/45.2
- D702,673 S * 4/2014 Murchison D14/250
- D704,689 S * 5/2014 Chang D14/250



(56)

References Cited

U.S. PATENT DOCUMENTS

8,783,458 B2 *	7/2014	Gallagher	A45C 11/00	206/320	D944,804 *	3/2022	Diebel	G06F 1/1679
D710,859 S *	8/2014	Mecchella	D14/440						D14/440
8,797,132 B2 *	8/2014	Childs	A45C 11/00		2003/0034263 A1 *	2/2003	D'Hoste	A45C 9/00
										206/320
D713,847 S *	9/2014	Su	D14/440		2008/0302687 A1 *	12/2008	Sirichai	A45C 11/00
D713,848 S *	9/2014	Akana	D14/440						206/320
D734,760 S *	7/2015	Brunner	D14/440		2011/0266194 A1 *	11/2011	Bau	H04M 1/04
D783,589 S *	4/2017	Tattari	D14/250						206/736
D784,995 S *	4/2017	Akana	D14/440		2012/0194448 A1 *	8/2012	Roth	G06F 1/1643
D807,891 S *	1/2018	Yeo	D14/440						361/679.01
D857,023 S *	8/2019	Hyun	D14/440		2012/0211377 A1 *	8/2012	Sajid	G06F 1/1628
D871,415 S *	12/2019	Lin	D14/440						206/216
D910,644 S	2/2021	Li				2012/0211613 A1 *	8/2012	Yang	A45C 11/00
D918,924 S	5/2021	Xu								248/174
D920,337 S *	5/2021	Chan	D14/440		2012/0305413 A1 *	12/2012	Chung	A45C 11/00
D921,637 S *	6/2021	Cheng	D14/440						206/45.23
D928,788 S *	8/2021	Kang	D14/440		2013/0093304 A1 *	4/2013	Childs	F16M 11/10
D942,459 S *	2/2022	Akana	D14/440						312/240
						2013/0140203 A1 *	6/2013	Chiang	G06F 1/1628
										206/320

* cited by examiner

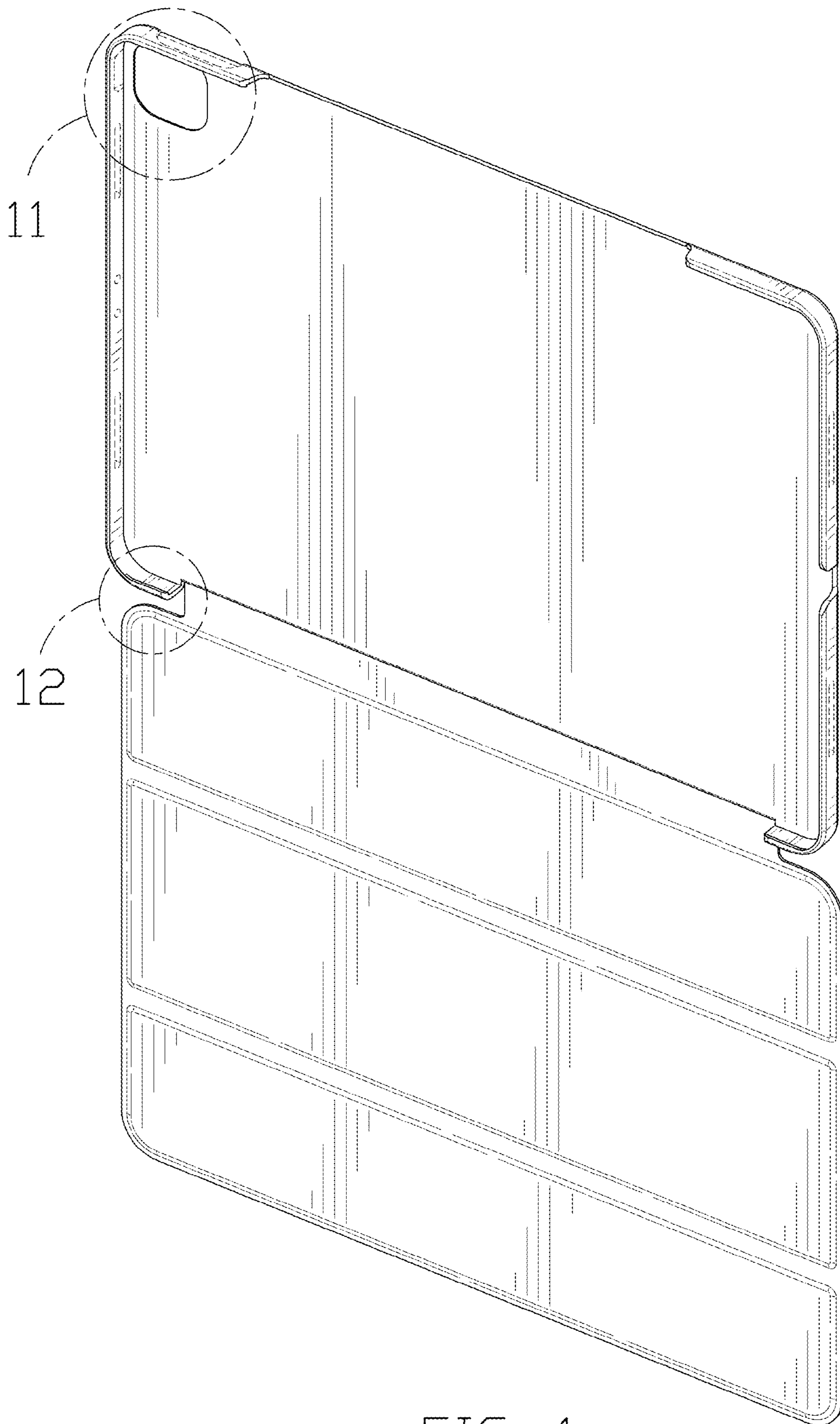


FIG. 1

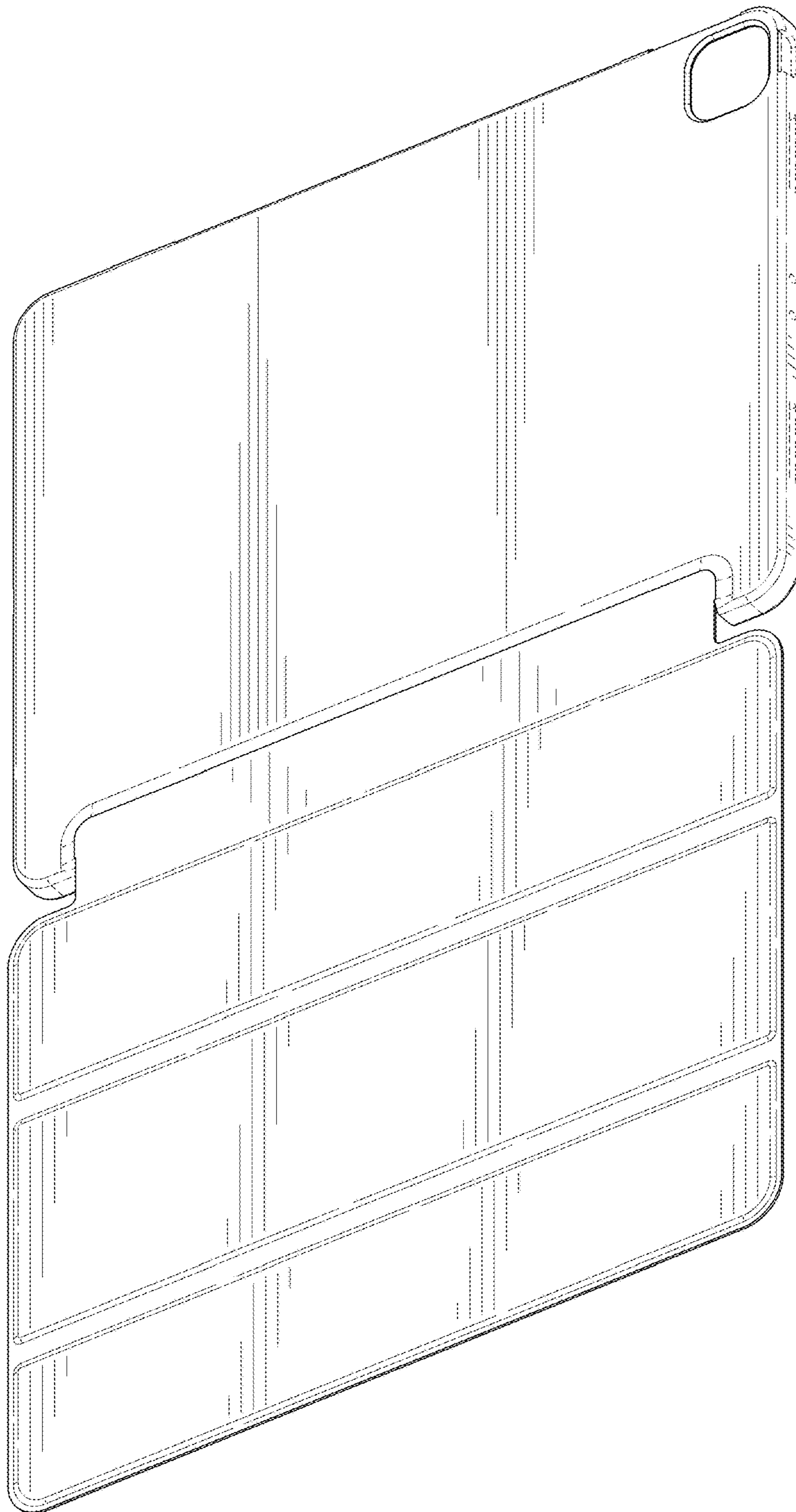


FIG. 2

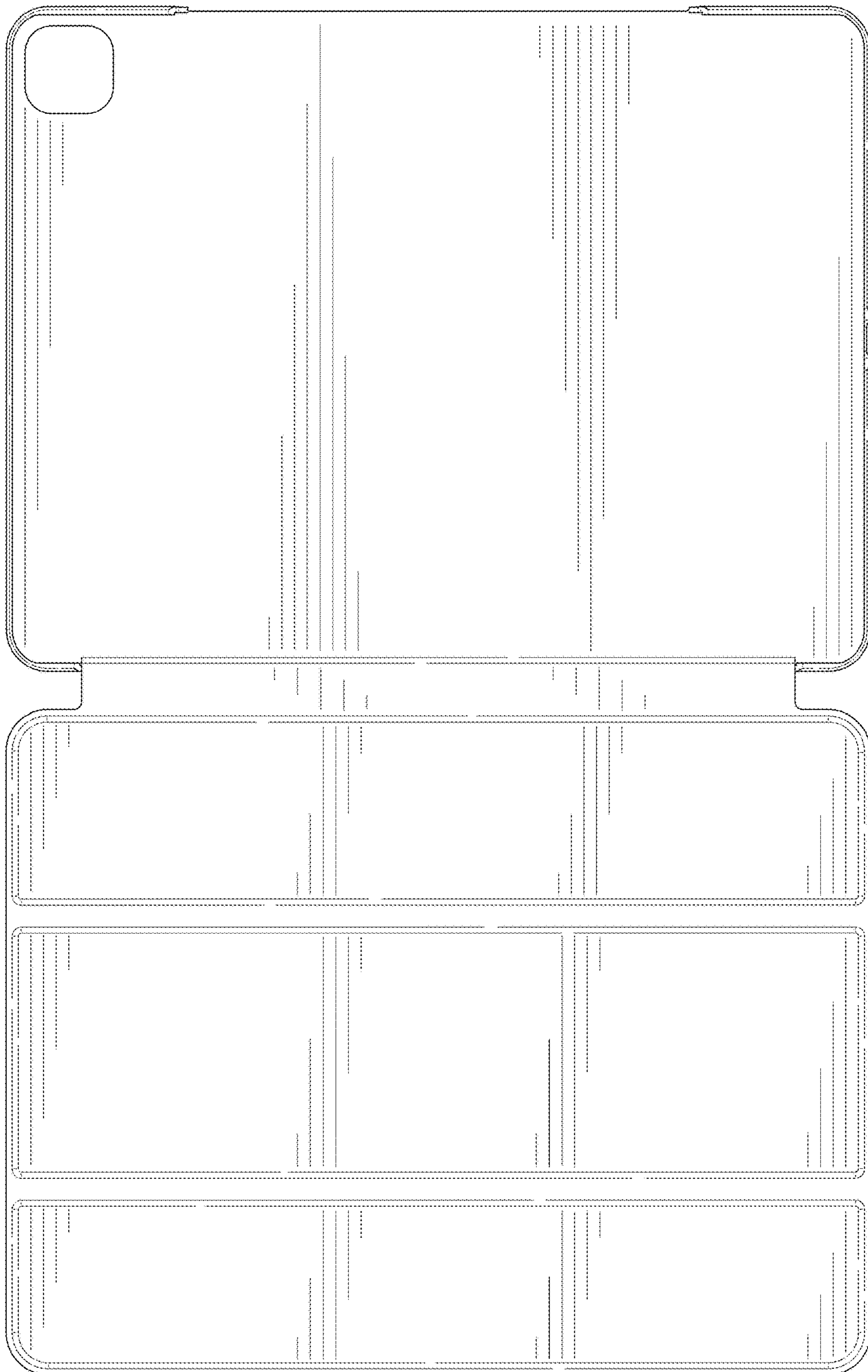


FIG. 3

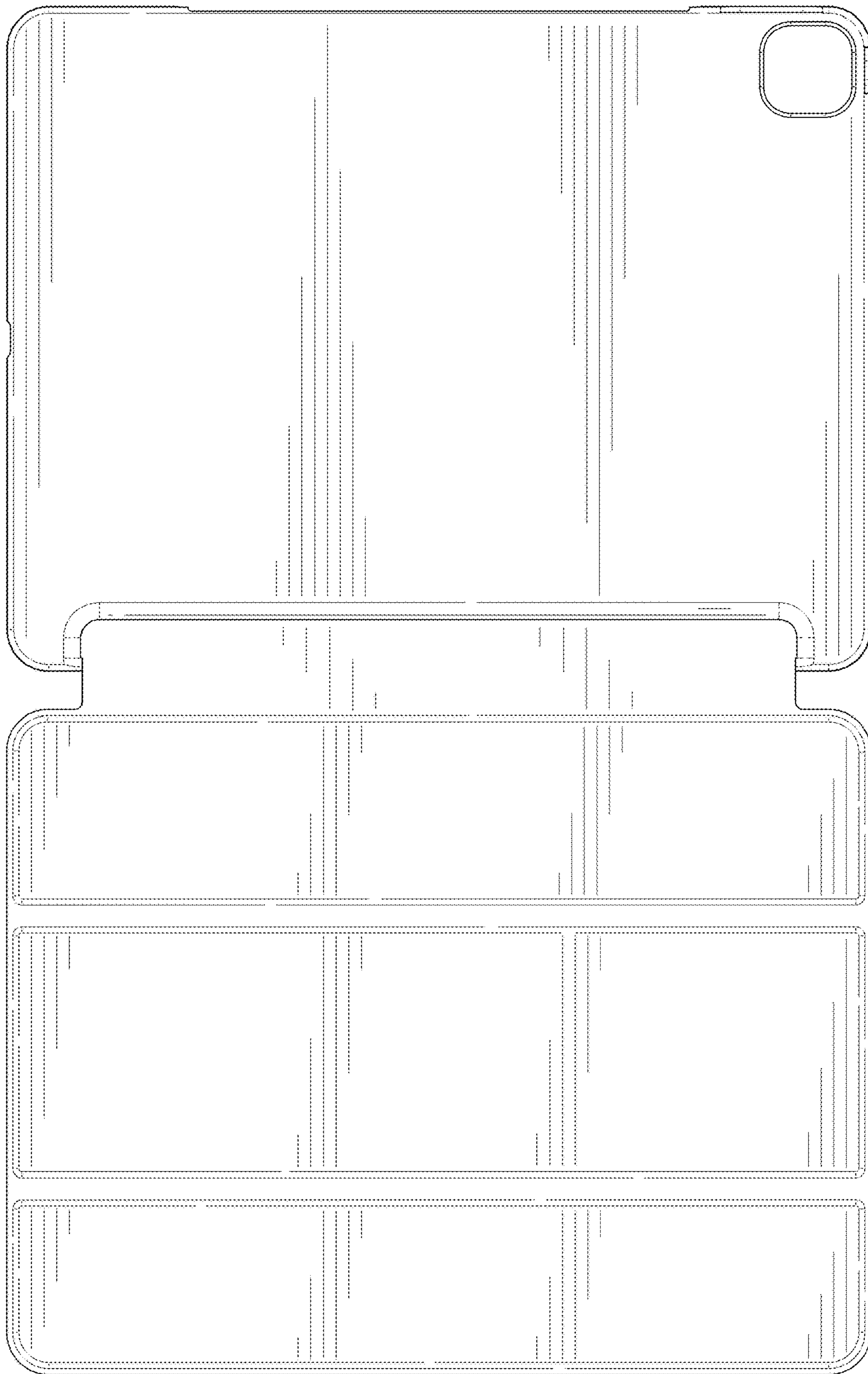


FIG. 4

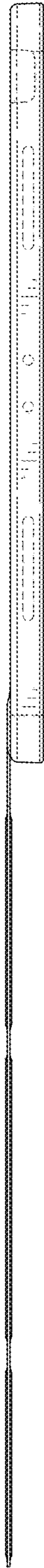


FIG. 5



FIG. 6

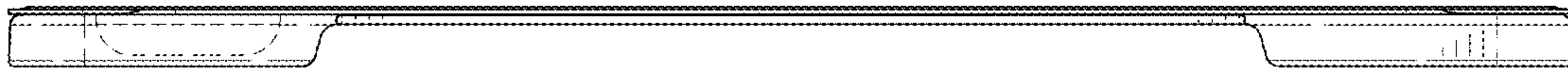


FIG. 7



FIG. 8

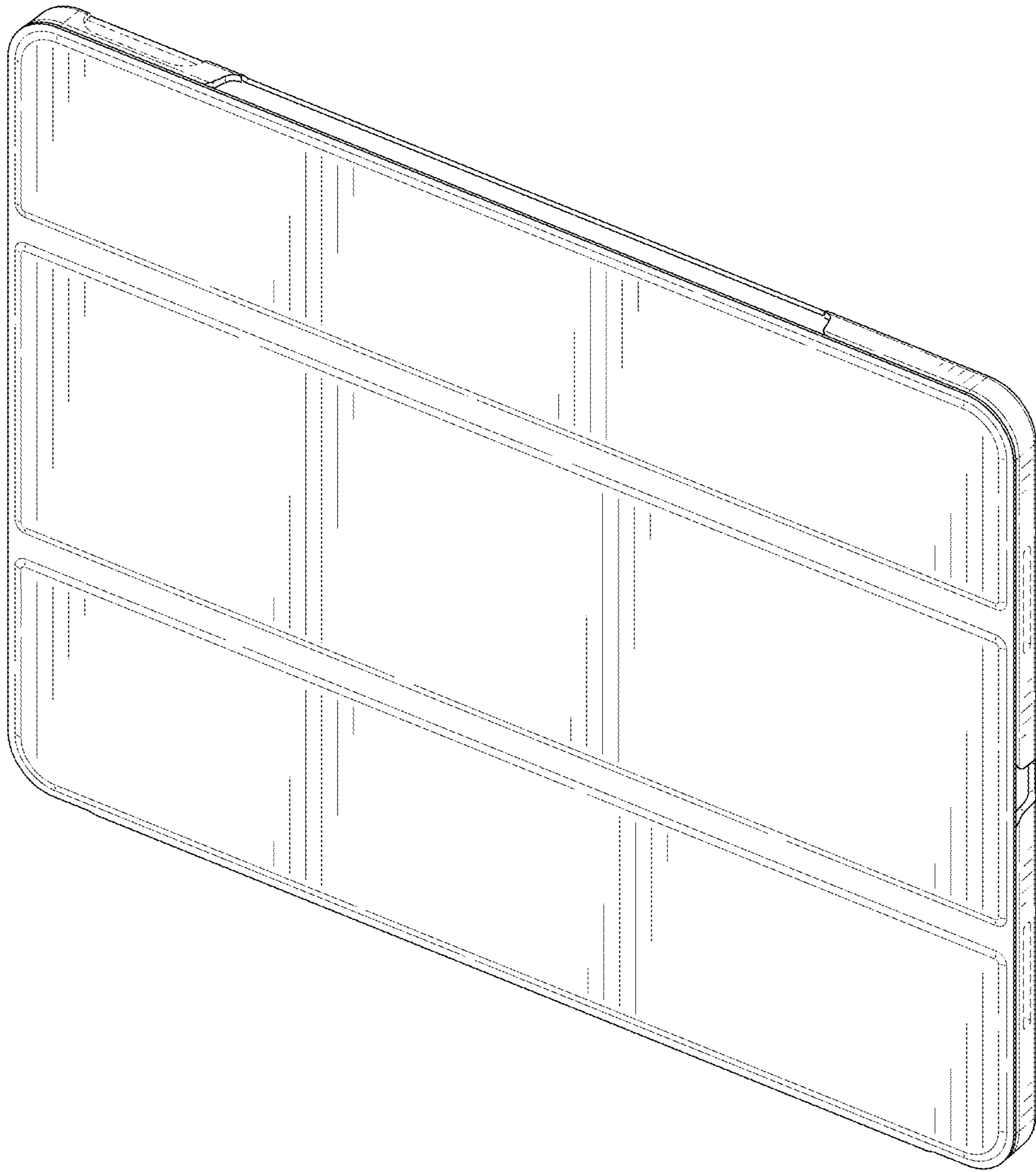


FIG. 9

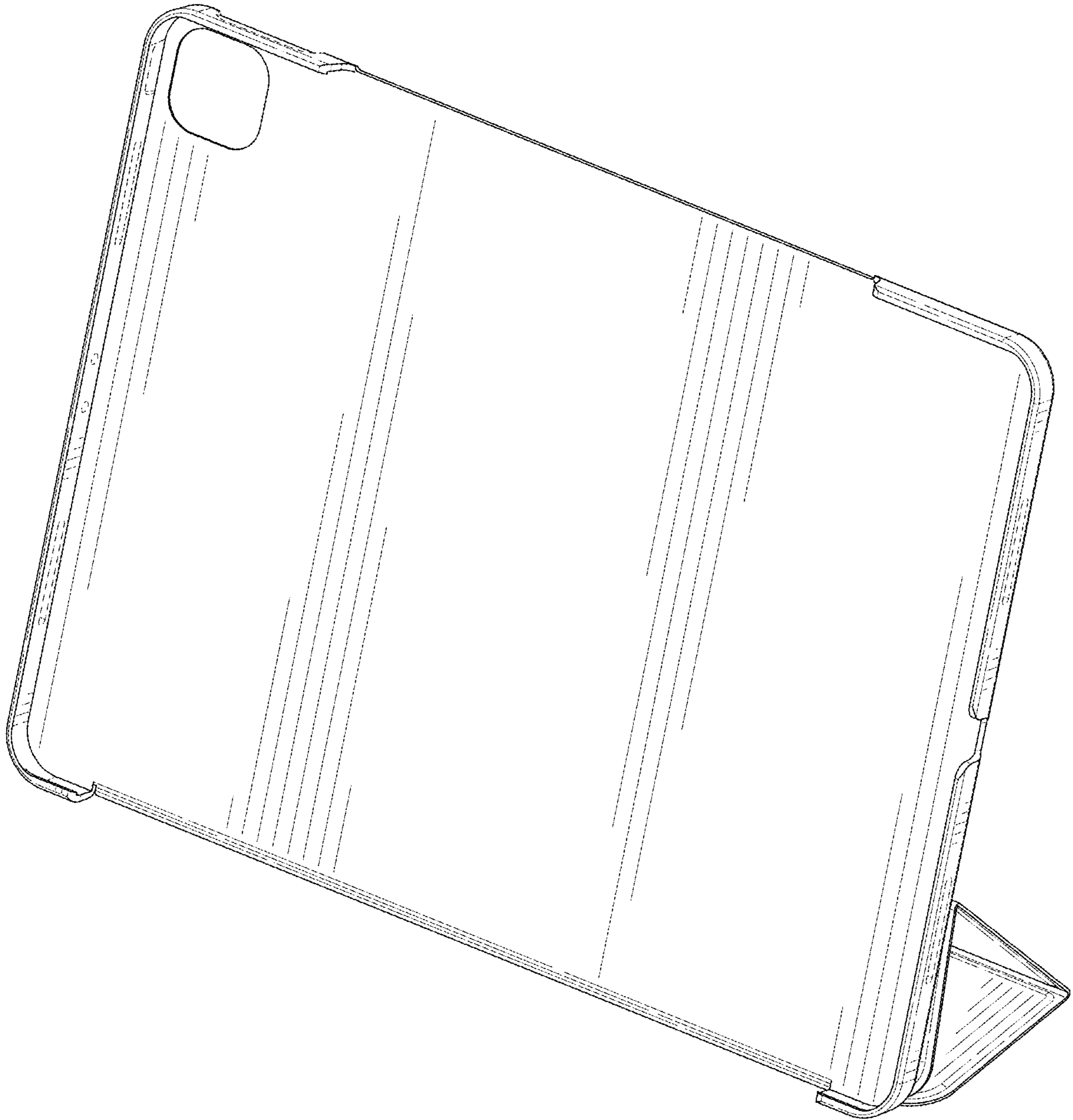


FIG. 10

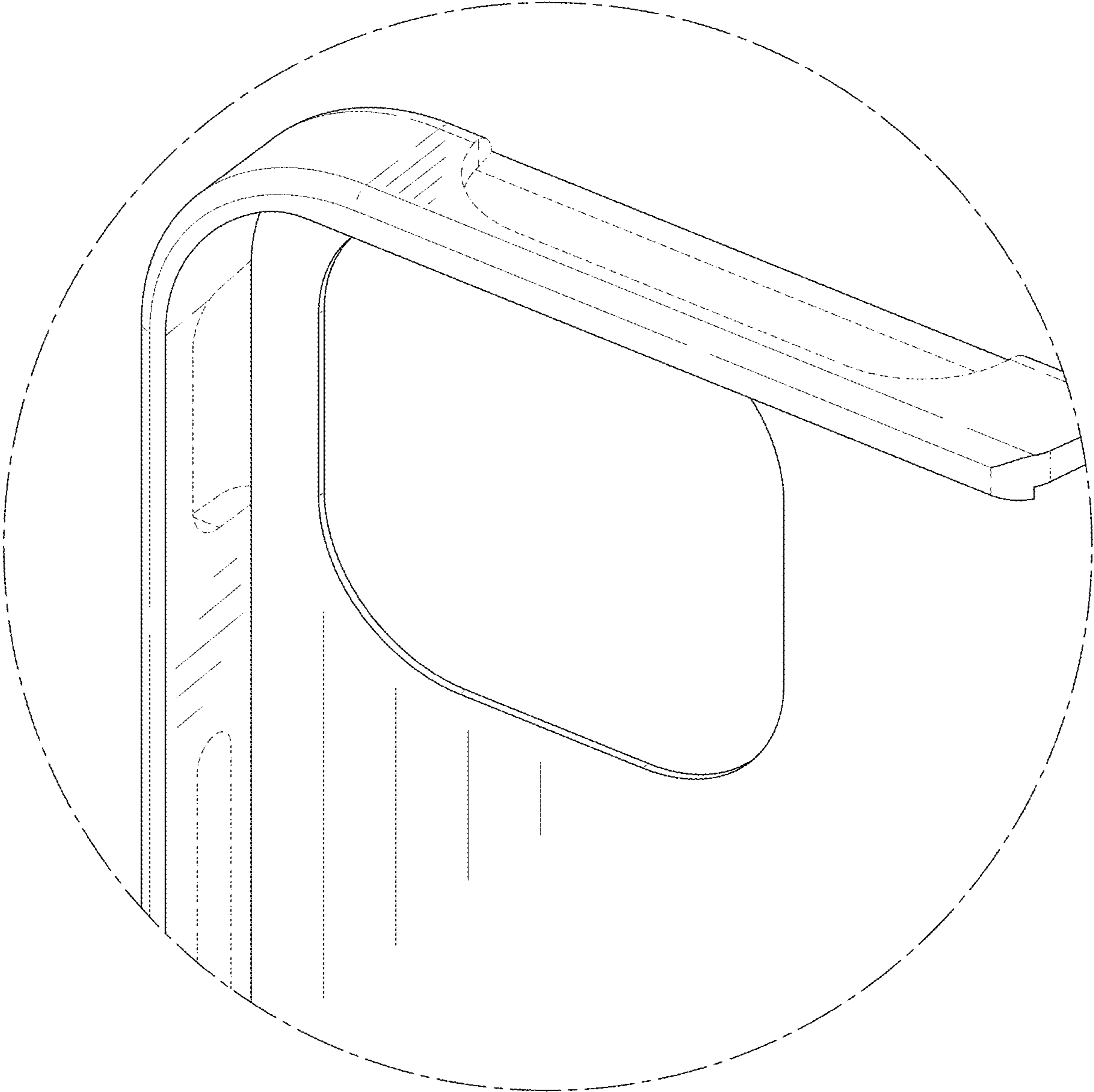


FIG. 11

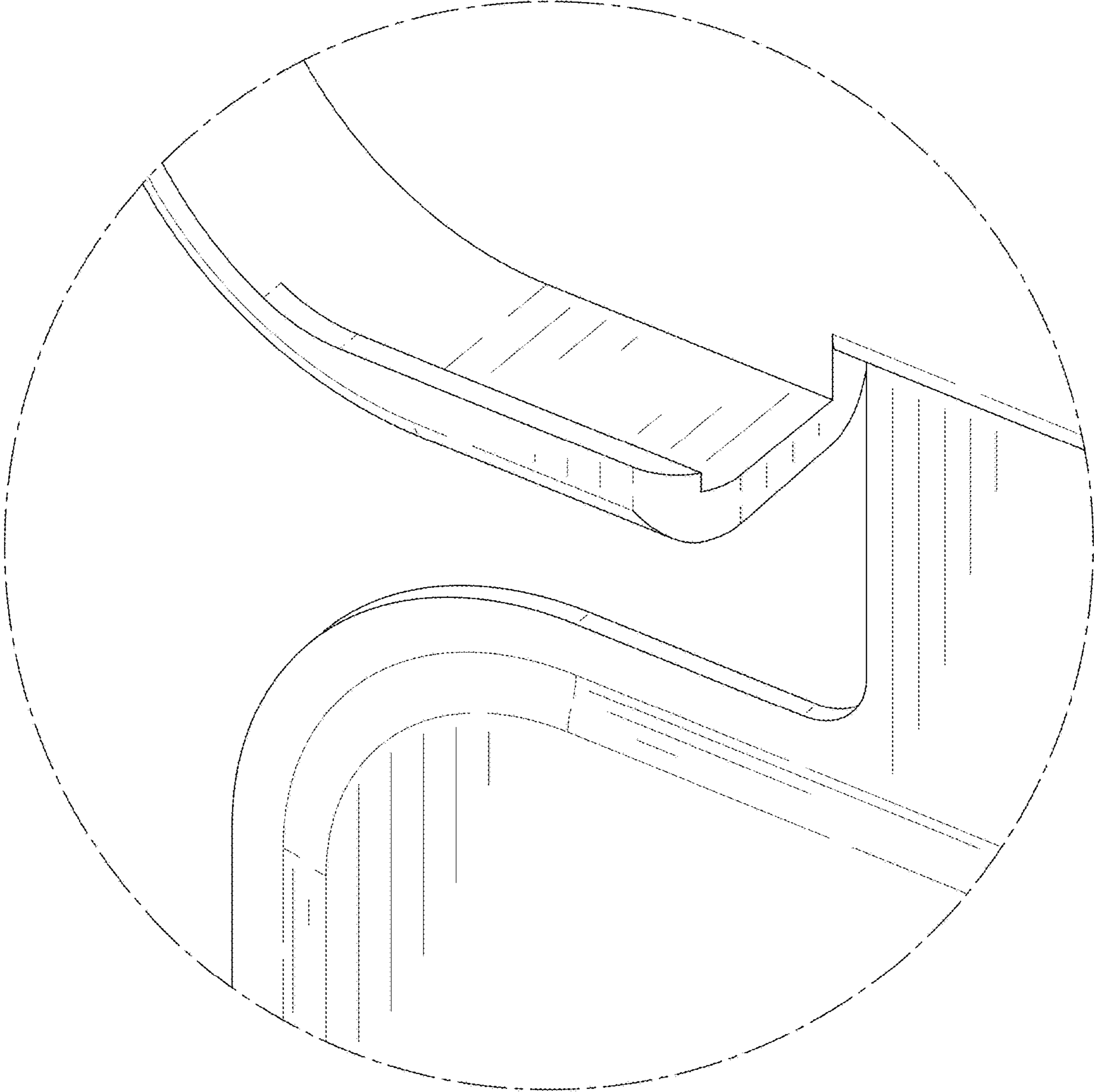


FIG. 12