



US00D949866S

(12) **United States Design Patent** (10) **Patent No.:** **US D949,866 S**
Lee (45) **Date of Patent:** **** Apr. 26, 2022**

(54) **COVER FOR EARPHONE CASE OR THE LIKE**

(71) Applicant: **ELAGO CO. LTD**, Goyang-si (KR)

(72) Inventor: **Chanwoo Lee**, Goyang-si (KR)

(73) Assignee: **elago CO. LTD**, Goyang-si (KR)

(**) Term: **15 Years**

(21) Appl. No.: **29/786,581**

(22) Filed: **Jun. 1, 2021**

(51) **LOC (13) Cl.** **14-02**

(52) **U.S. Cl.**
USPC **D14/440**; D3/218; D3/294

(58) **Field of Classification Search**
USPC D14/440, 447, 250; 206/45.23, 320,
206/45.2; 361/679.55; 294/25; 224/218;
D3/294, 269, 302, 270, 268, 218;
D9/420; D16/200, 218
CPC G06F 1/1628; G06F 1/1626; A47B 23/044
See application file for complete search history.

(56) **References Cited**

U.S. PATENT DOCUMENTS

D868,453 S *	12/2019	Lee	D3/215
D868,465 S *	12/2019	Lee	D3/270
D869,147 S *	12/2019	Lian	D3/273
D869,161 S *	12/2019	Zhong	D3/294
D869,163 S *	12/2019	Maguire	D3/301
D870,037 S *	12/2019	Lee	D13/107
D872,468 S *	1/2020	Lee	D3/270
D872,469 S *	1/2020	Lee	D3/270
D874,826 S *	2/2020	Zhang	D3/226
D878,045 S *	3/2020	Akana	D3/274
D881,179 S *	4/2020	Wright	D3/218
D881,572 S *	4/2020	Wang	D3/294
D887,140 S *	6/2020	Hyun	D13/103
D888,039 S *	6/2020	Wright	D3/218
D888,040 S *	6/2020	Wright	D3/218

D888,041 S *	6/2020	Wright	D3/218
D888,042 S *	6/2020	Wright	D3/218
D888,043 S *	6/2020	Wright	D3/218
D891,774 S *	8/2020	Yu	D14/440
D892,497 S *	8/2020	Wright	D3/218
D892,498 S *	8/2020	Wright	D3/218

(Continued)

FOREIGN PATENT DOCUMENTS

CN	304836811	10/2018
CN	305206440	6/2019

(Continued)

Primary Examiner — Cynthia R Underwood
(74) *Attorney, Agent, or Firm* — Paratus Law Group, PLLC

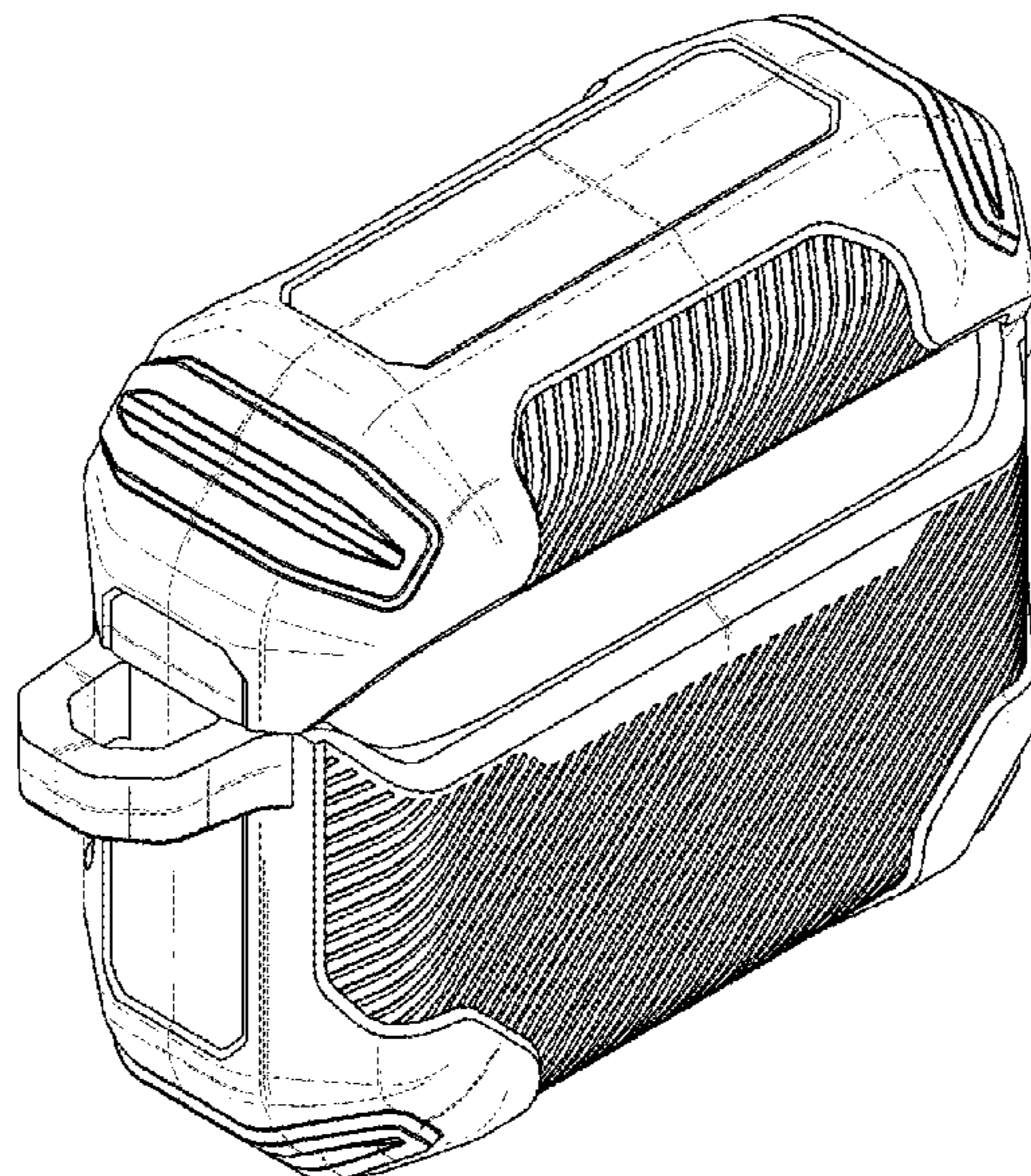
(57) **CLAIM**

The ornamental design for a cover for earphone case or the like, as shown and described.

DESCRIPTION

FIG. 1 is a front, top, and right-side perspective view of a cover for earphone case or the like, showing my design; FIG. 2 is a front view thereof; FIG. 3 is a back view thereof; FIG. 4 is a left side view thereof; FIG. 5 is a right side view thereof; FIG. 6 is a top view thereof; FIG. 7 is a bottom view thereof; FIG. 8 is a back, top, and right-side perspective view thereof; and, FIG. 9 is a back, bottom, and right-side perspective view thereof. The broken lines shown in FIG. 3 depict interior parts of the cover for earphone case or the like, which form no part of the claimed design. The interior parts of the cover for earphone case or the like, seen through openings in FIGS. 3 and 7-9, form no part of the claimed design.

1 Claim, 7 Drawing Sheets



(56)

References Cited

U.S. PATENT DOCUMENTS

D895,288 S * 9/2020 Hyun D13/103
D906,342 S 12/2020 Lee
D911,711 S * 3/2021 Feng D3/294
D914,603 S 3/2021 Wang
D927,181 S * 8/2021 Jung D3/294
D927,182 S * 8/2021 Hyun D14/440
D928,502 S * 8/2021 Weng D3/218
D931,268 S * 9/2021 Wright D3/218
D933,351 S * 10/2021 Armstrong D3/273
D934,869 S * 11/2021 Wright D14/440
D935,164 S * 11/2021 Zhang D3/201
D942,944 S * 2/2022 Liao D3/294
2011/0127264 A1 * 6/2011 Whalen A45C 5/03
220/203.01

FOREIGN PATENT DOCUMENTS

CN 306061708 9/2020
CN 306171144 11/2020
CN 306171145 11/2020
CN 306324975 2/2021
KR 301057956.0000 5/2020

* cited by examiner

FIG. 1

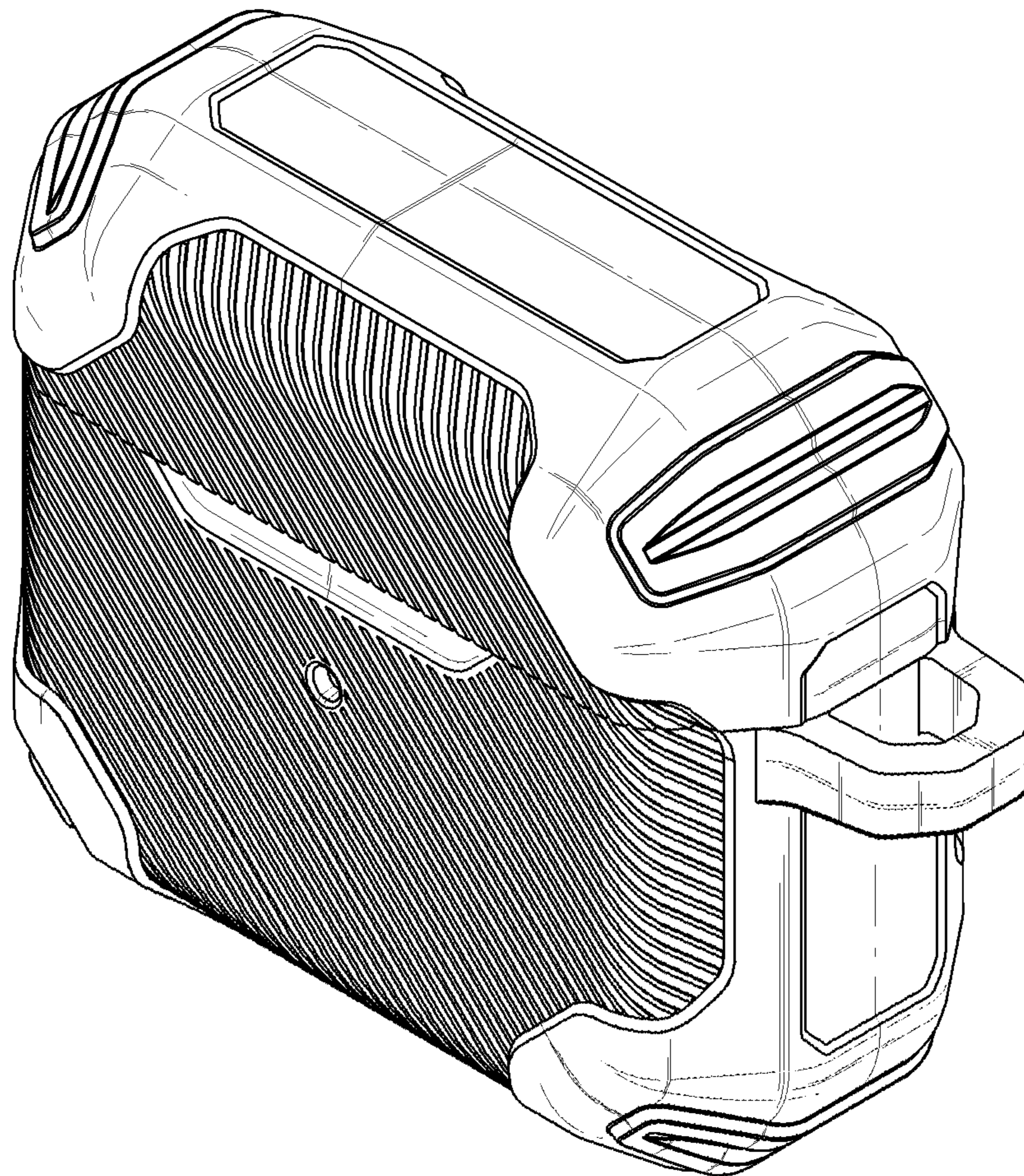


FIG. 2

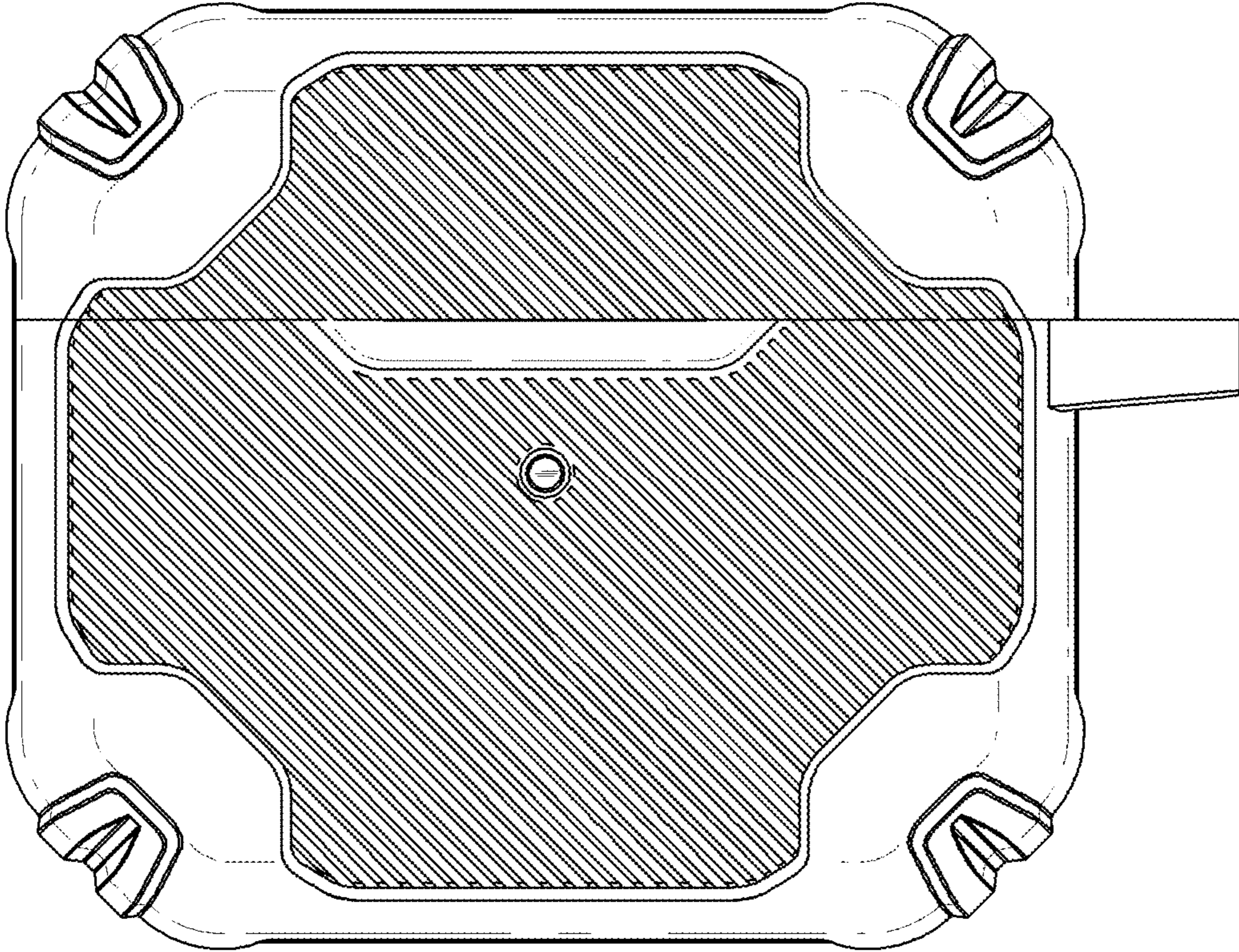


FIG. 3

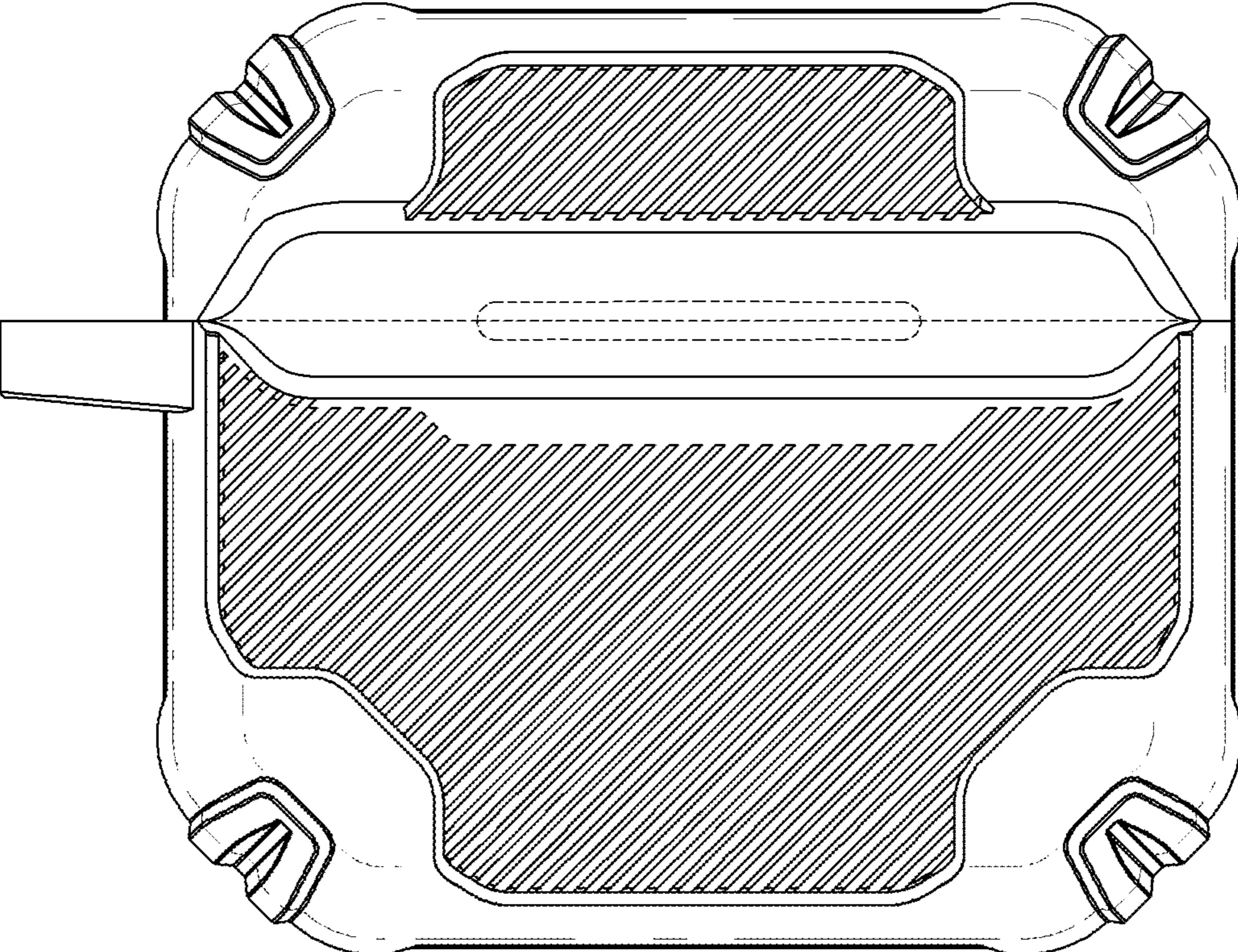


FIG. 4

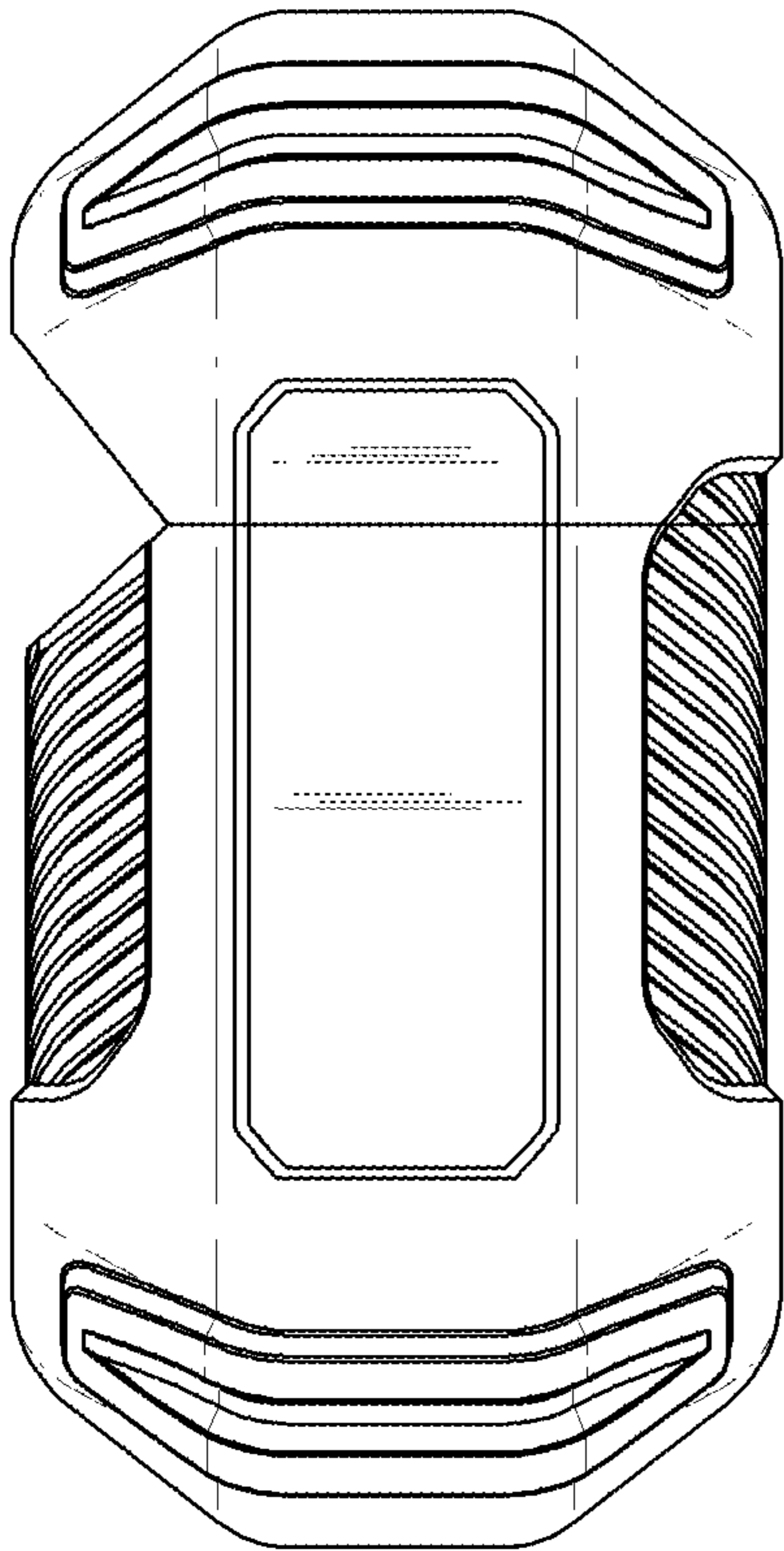


FIG. 5

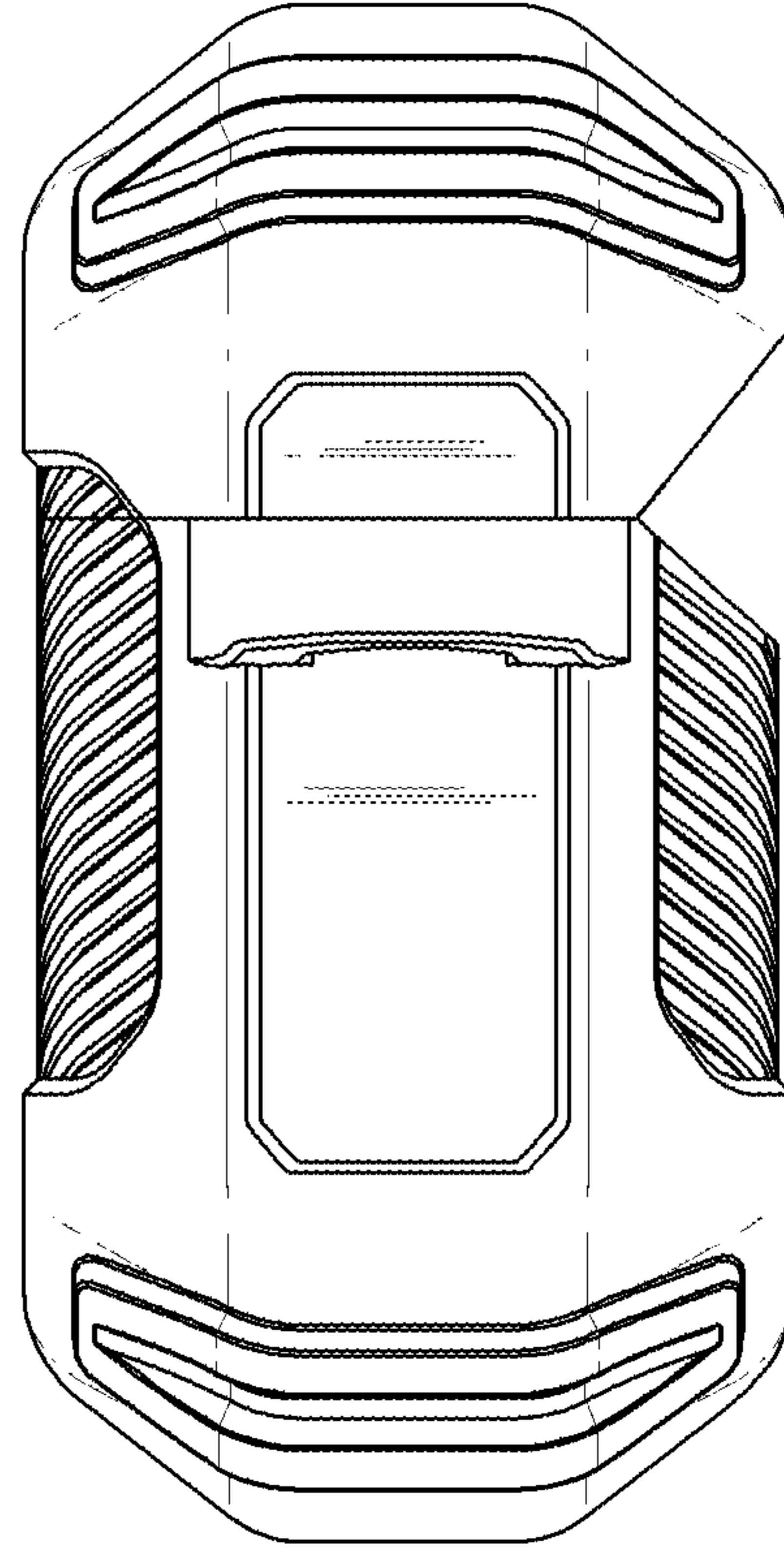


FIG. 6

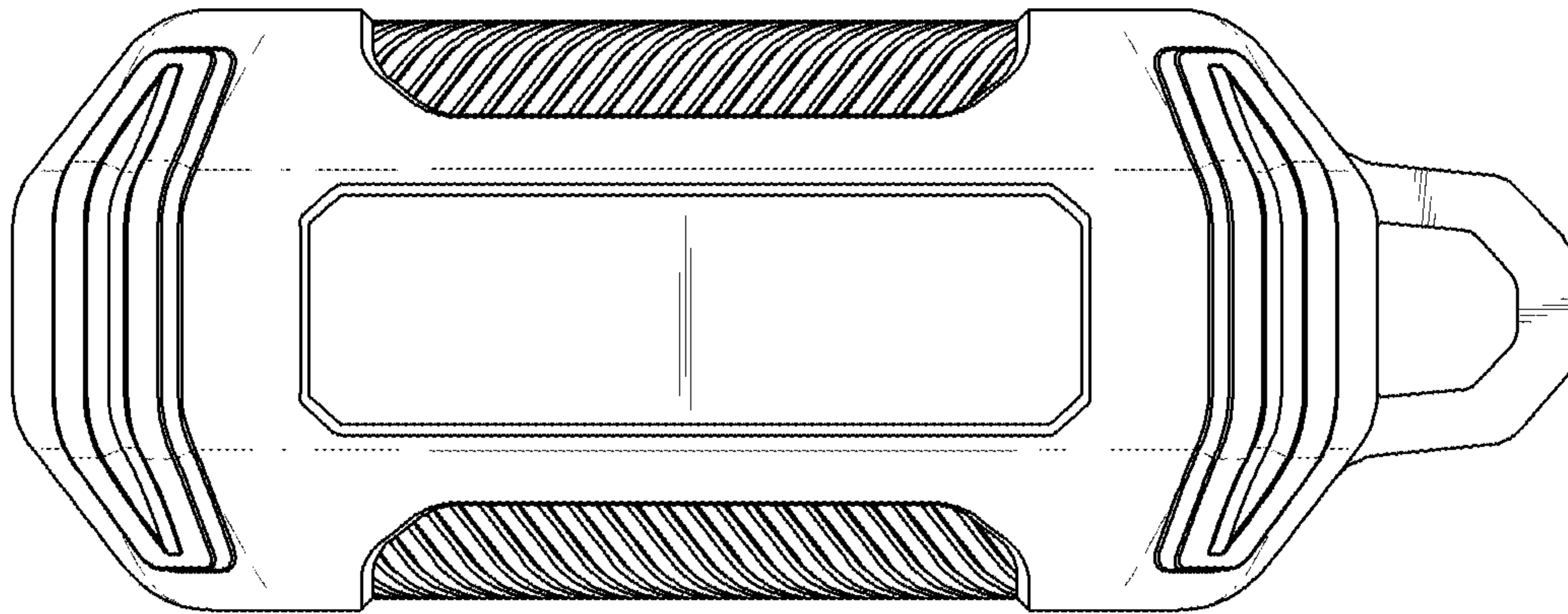


FIG. 7

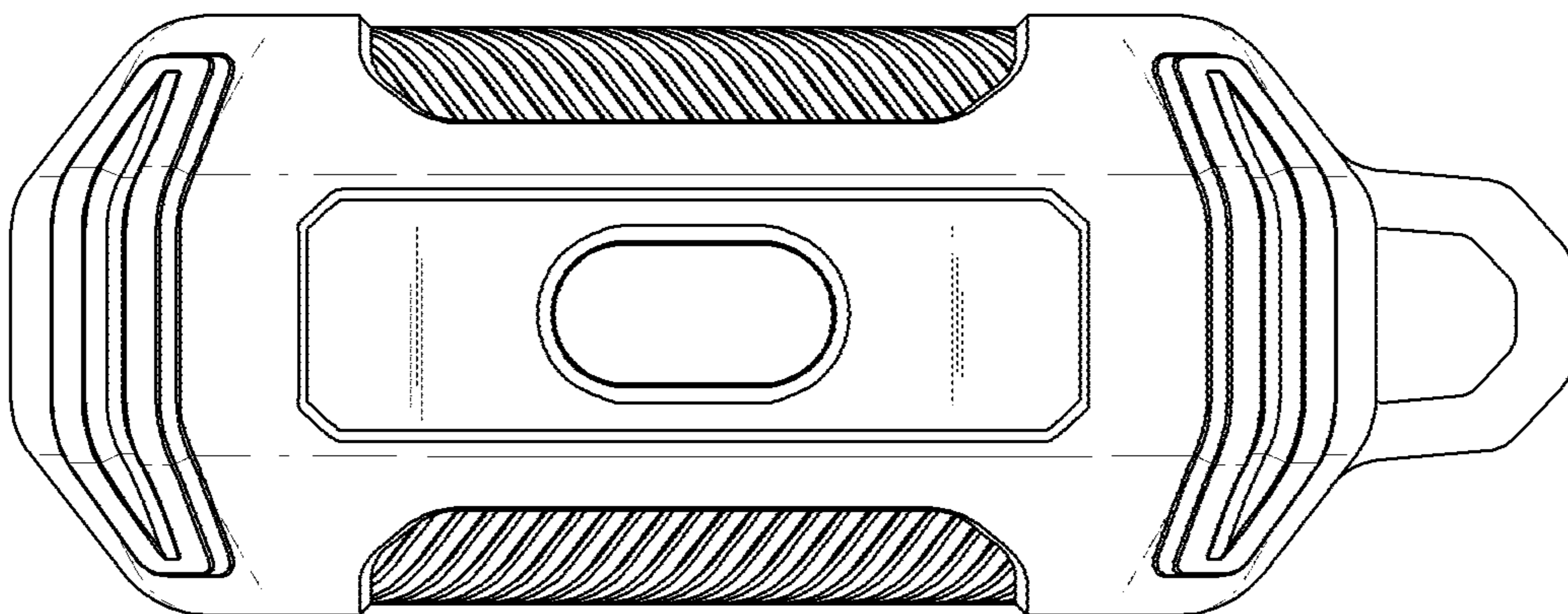


FIG. 8

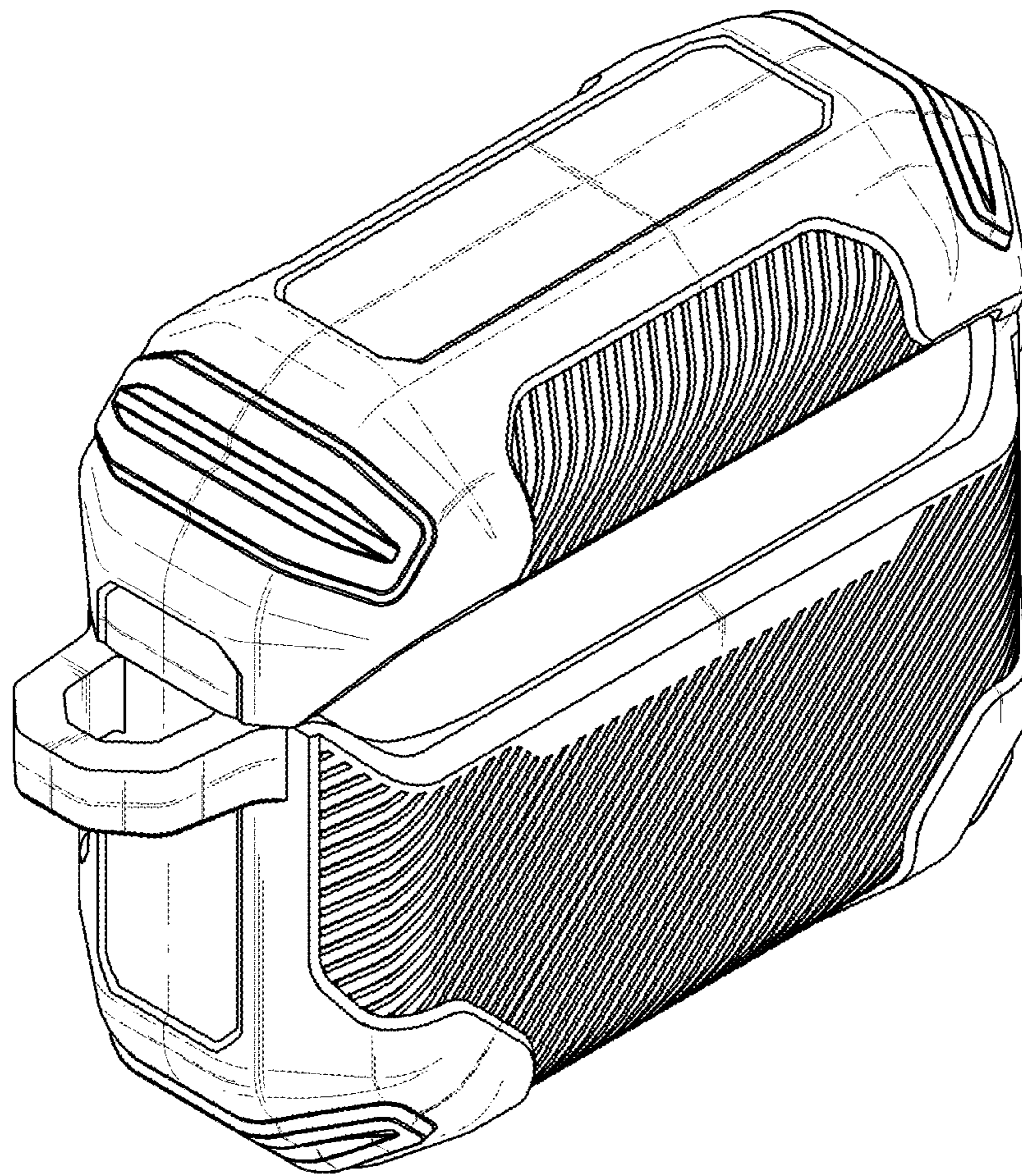


FIG. 9

