



US00D949865S

(12) **United States Design Patent** (10) **Patent No.:** **US D949,865 S**
Lee (45) **Date of Patent:** **** Apr. 26, 2022**

(54) **COVER FOR EARPHONE CASE OR THE LIKE**

(71) Applicant: **ELAGO CO. LTD**, Goyang-si (KR)

(72) Inventor: **Chanwoo Lee**, Goyang-si (KR)

(73) Assignee: **elago CO. LTD**, Goyang-si (KR)

(**) Term: **15 Years**

(21) Appl. No.: **29/786,566**

(22) Filed: **Jun. 1, 2021**

(51) **LOC (13) Cl.** **14-02**

(52) **U.S. Cl.**
USPC **D14/440**; D3/218; D3/294

(58) **Field of Classification Search**
USPC D14/440, 447, 250; 206/45.23, 320,
206/45.2; 361/679.55; 294/25; 224/218;
D3/294, 269, 302, 270, 268, 218;
D9/420; D16/200, 218
CPC G06F 1/1628; G06F 1/1626; A47B 23/044
See application file for complete search history.

(56) **References Cited**

U.S. PATENT DOCUMENTS

D334,840 S	4/1993	Lin	
D621,432 S	8/2010	Yim	
D731,178 S *	6/2015	Gorouvein	D3/265
D775,818 S *	1/2017	Ingraham	D3/218
D780,244 S	2/2017	Wang et al.	
D808,163 S	1/2018	Song	
D838,480 S *	1/2019	Son	D3/294
D841,580 S *	2/2019	Bao	D13/108
D841,581 S *	2/2019	Bonahoom	D13/108
D849,401 S *	5/2019	Akana	D3/274
D856,391 S	8/2019	Liu	
D861,761 S *	10/2019	Bergman	D16/200
D862,425 S *	10/2019	Yan	D14/223
D864,110 S *	10/2019	Yoshimura	D3/294
D864,278 S *	10/2019	Hu	D16/218

D864,565 S *	10/2019	Lee	D3/271.1
D864,971 S *	10/2019	Lee	D14/440
D868,465 S *	12/2019	Lee	D3/270
D869,163 S *	12/2019	Maguire	D3/301
D870,037 S *	12/2019	Lee	D13/107
D870,451 S *	12/2019	Birger	D14/223

(Continued)

FOREIGN PATENT DOCUMENTS

CN	305931261	7/2020
CN	306088569	10/2020

(Continued)

Primary Examiner — Cynthia R Underwood
(74) *Attorney, Agent, or Firm* — Paratus Law Group, PLLC

(57) **CLAIM**

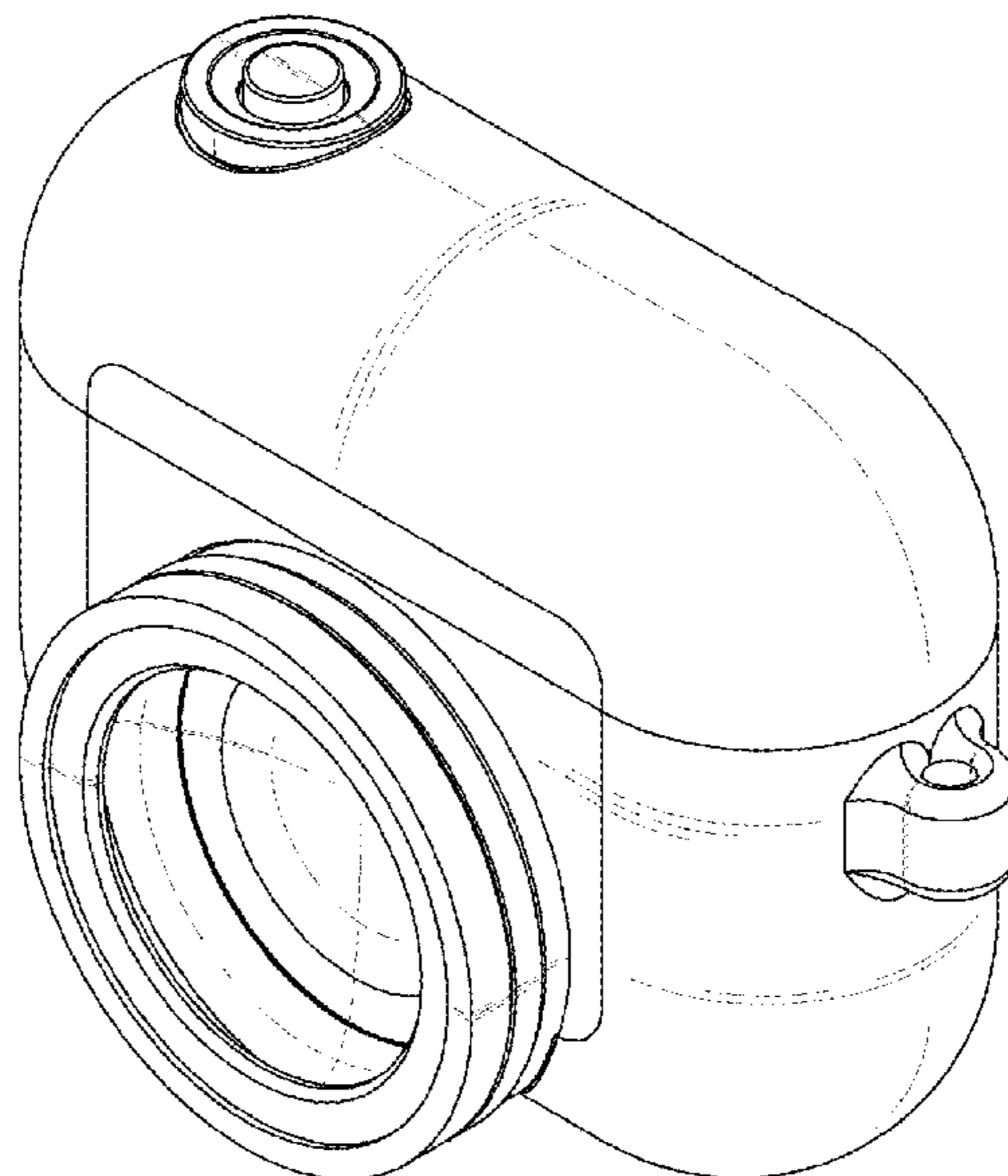
The ornamental design for a cover for earphone case or the like, as shown and described.

DESCRIPTION

FIG. 1 is a front, top, and right-side perspective view of a cover for earphone case or the like, showing my design; FIG. 2 is a front view thereof; FIG. 3 is a back view thereof; FIG. 4 is a left side view thereof; FIG. 5 is a right side view thereof; FIG. 6 is a top view thereof; FIG. 7 is a bottom view thereof; FIG. 8 is a back, top, and right-side perspective view thereof; and, FIG. 9 is a front, bottom, and right-side perspective view thereof.

The broken lines shown in FIG. 3 depict interior parts of the cover for earphone case or the like, which form no part of the claimed design. The interior parts of the cover for earphone case or the like, seen through openings in FIGS. 3 and 8, form no part of the claimed design.

1 Claim, 7 Drawing Sheets



(56)

References Cited

U.S. PATENT DOCUMENTS

D872,468 S * 1/2020 Lee D3/270
 D872,469 S * 1/2020 Lee D3/270
 D873,217 S * 1/2020 Zhang D3/294
 D874,826 S * 2/2020 Zhang D3/226
 D878,045 S * 3/2020 Akana D3/274
 D878,754 S * 3/2020 Lee D3/270
 D881,179 S * 4/2020 Wright D3/218
 D881,572 S * 4/2020 Wang D3/294
 D882,259 S * 4/2020 Liu D3/269
 D883,296 S * 5/2020 Lee
 D888,039 S * 6/2020 Wright D3/218
 D891,773 S * 8/2020 Meyer D3/294
 D891,774 S * 8/2020 Yu D14/440
 D892,497 S * 8/2020 Wright D3/218
 D911,705 S * 3/2021 Lee D3/269
 D913,292 S * 3/2021 Brown
 D926,470 S * 8/2021 Luo D3/294
 D927,181 S * 8/2021 Jung D3/294
 D928,502 S * 8/2021 Weng D3/218

D931,605 S * 9/2021 Zhu D3/273
 D934,869 S * 11/2021 Wright D14/440
 D935,179 S * 11/2021 Liu D3/294
 D936,968 S * 11/2021 Chen D3/294
 D938,159 S * 12/2021 Youn D3/273
 D938,430 S * 12/2021 Feng D14/440
 D939,212 S * 12/2021 Saxton D3/294
 D939,829 S * 1/2022 Goldstein D3/294
 D941,762 S * 1/2022 Ye D3/294
 D942,381 S * 2/2022 Ruan D3/294
 D942,386 S * 2/2022 Chen D3/294
 D942,387 S * 2/2022 Chen D3/294
 D942,944 S * 2/2022 Liao D3/294
 D943,654 S * 2/2022 Jiang D16/200
 2020/0100573 A1 * 4/2020 Ekelund A45C 13/005

FOREIGN PATENT DOCUMENTS

JP D1656821 4/2020
 KR 301068447.0000 7/2020

* cited by examiner

FIG. 1

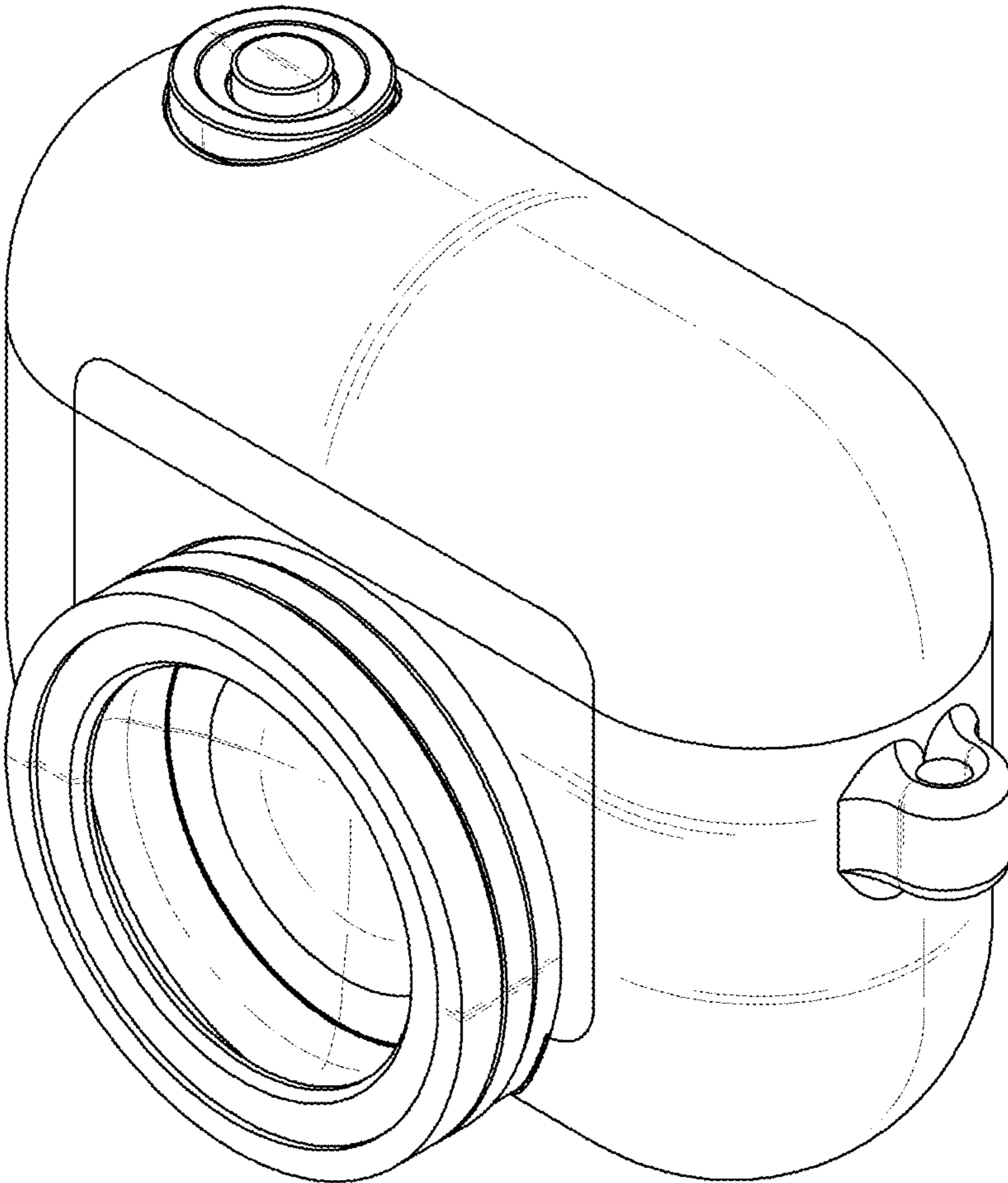


FIG. 2

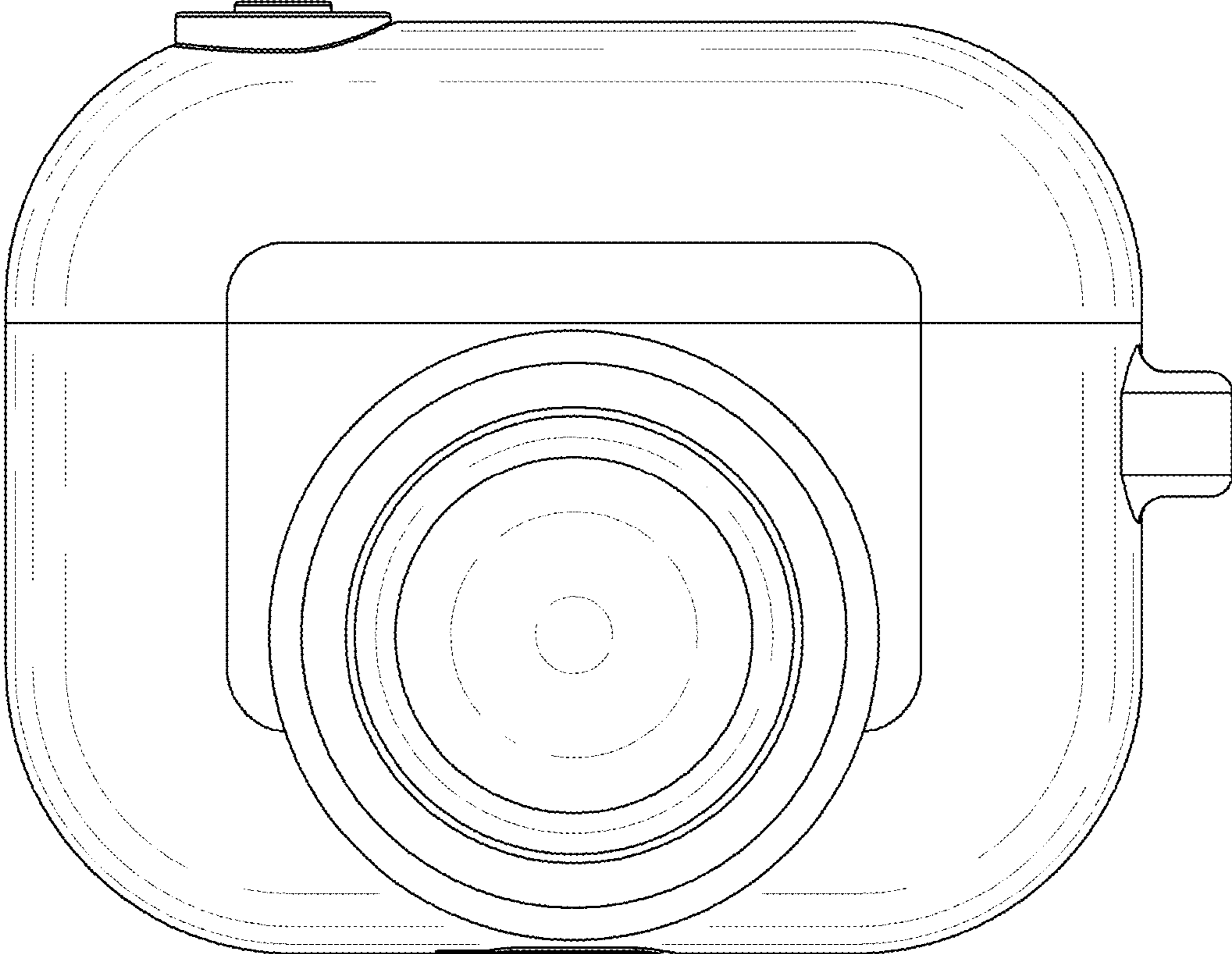


FIG. 3

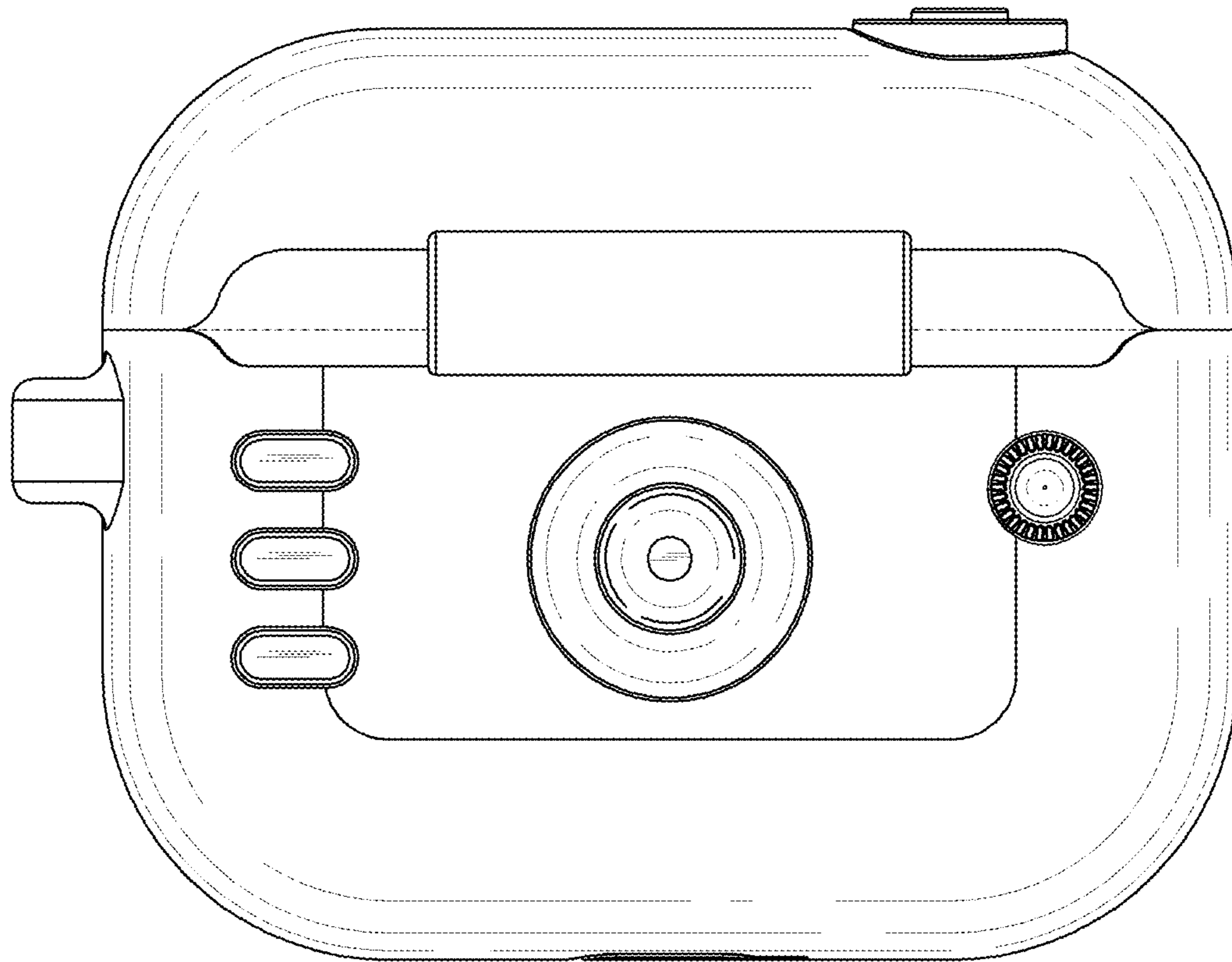


FIG. 4

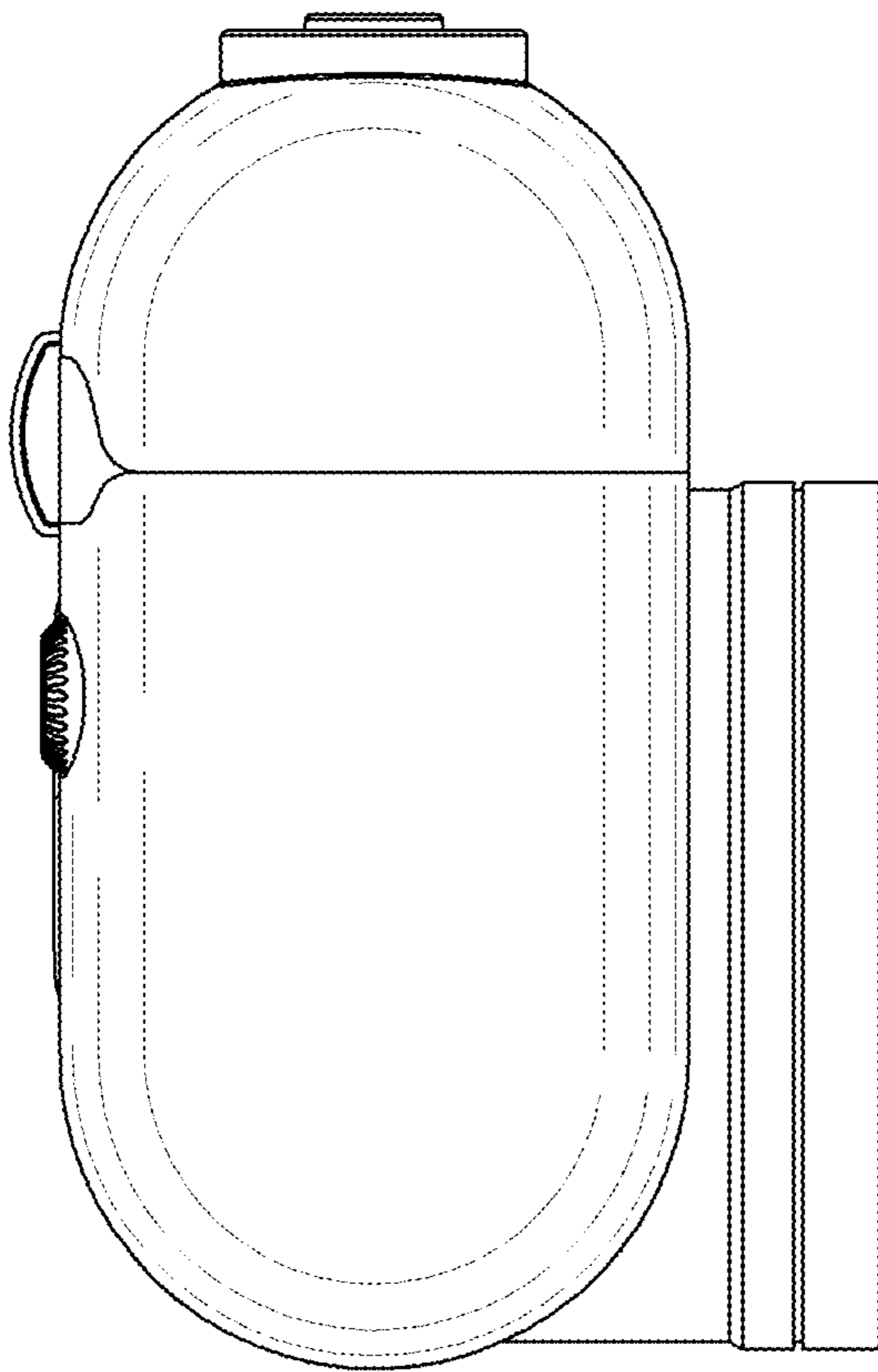


FIG. 5

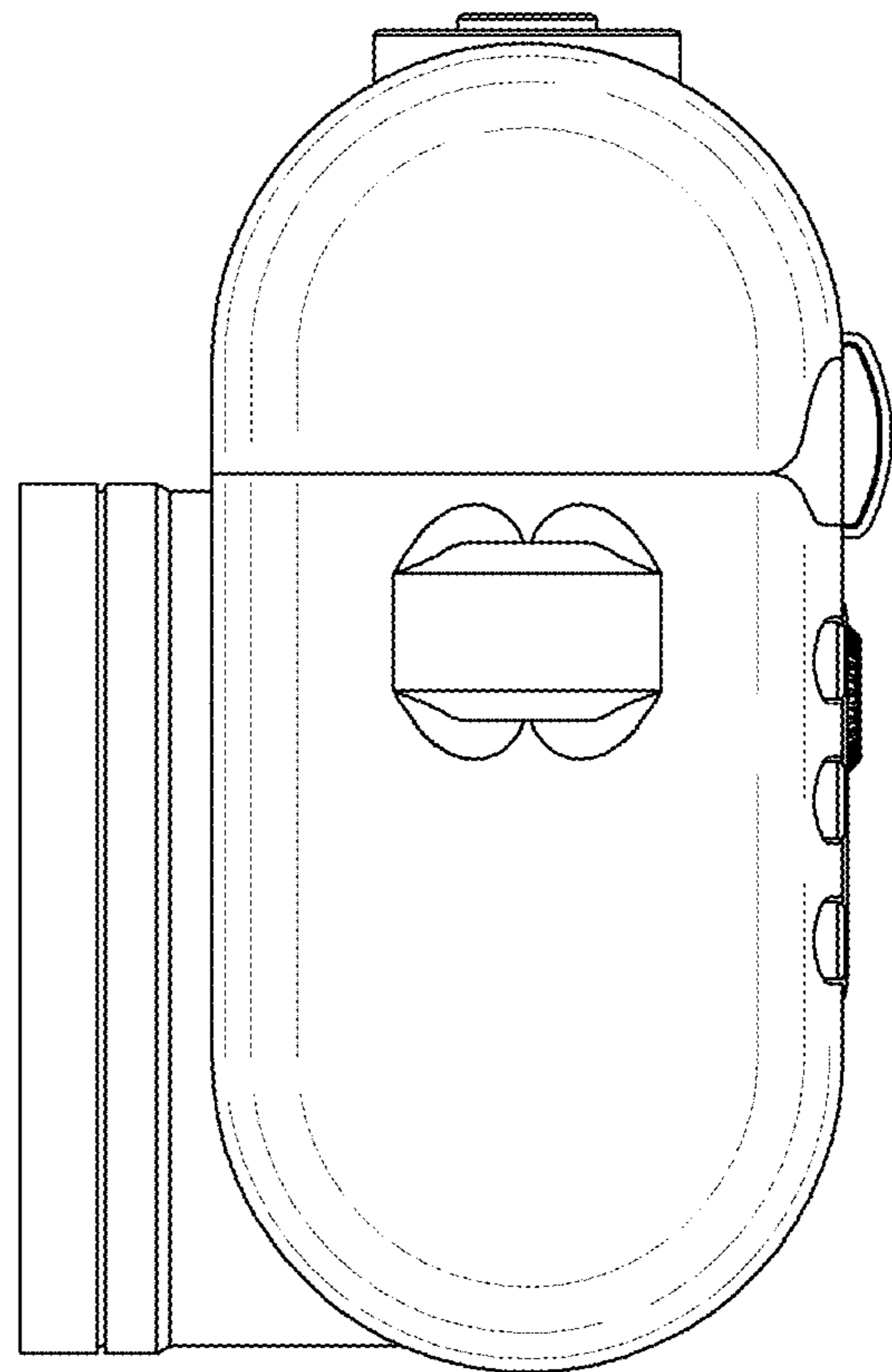


FIG. 6

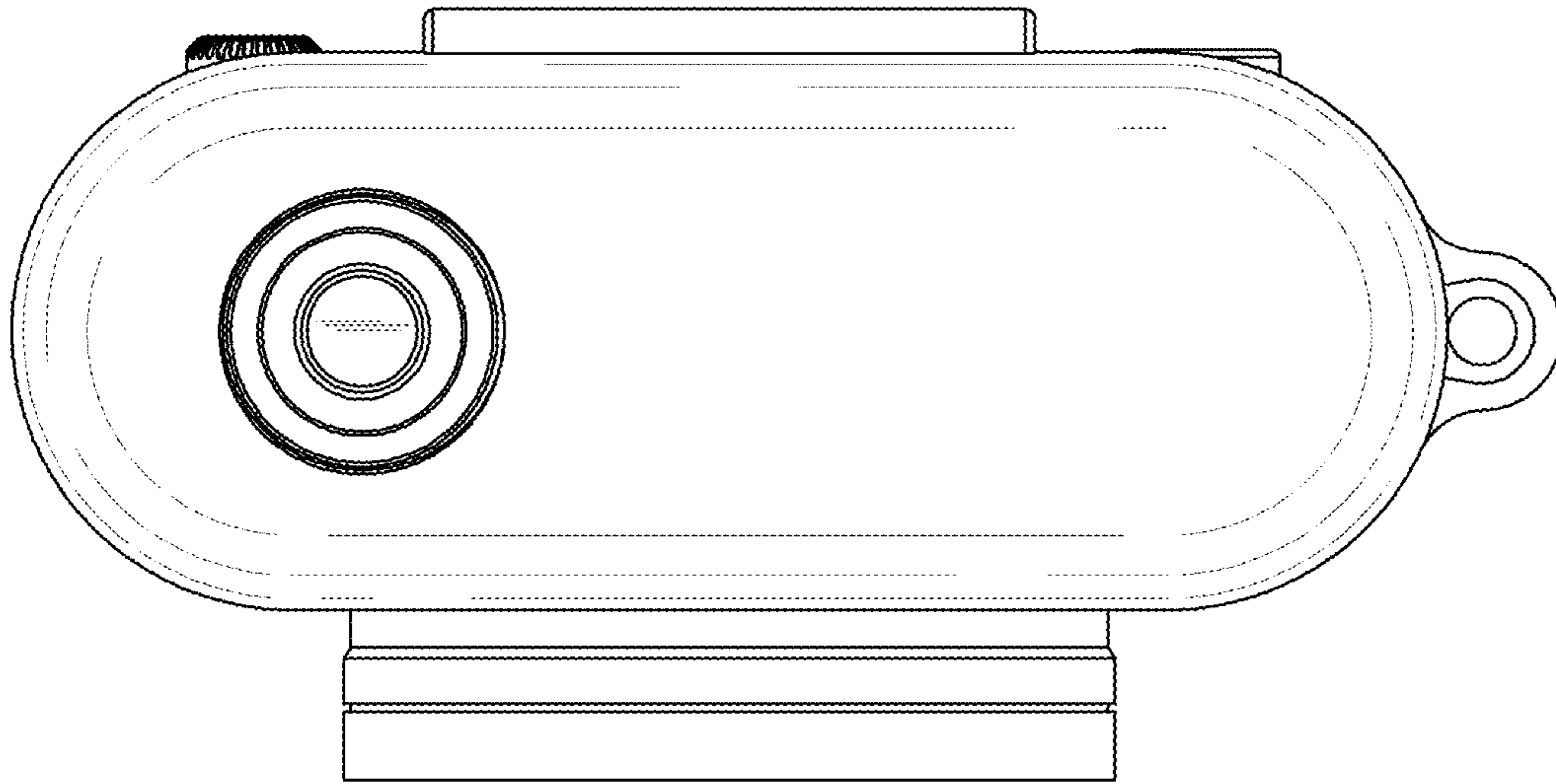


FIG. 7

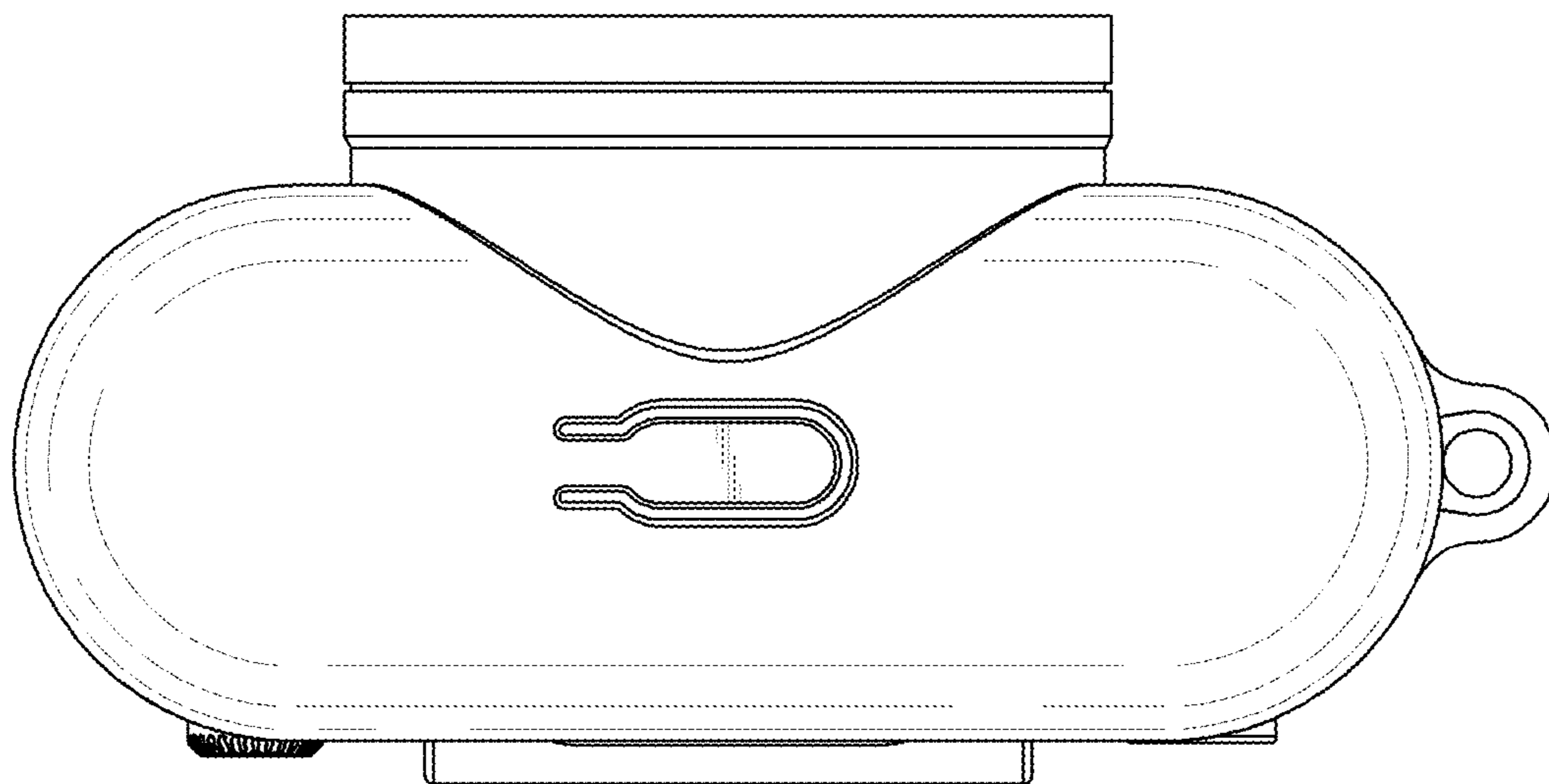


FIG. 8

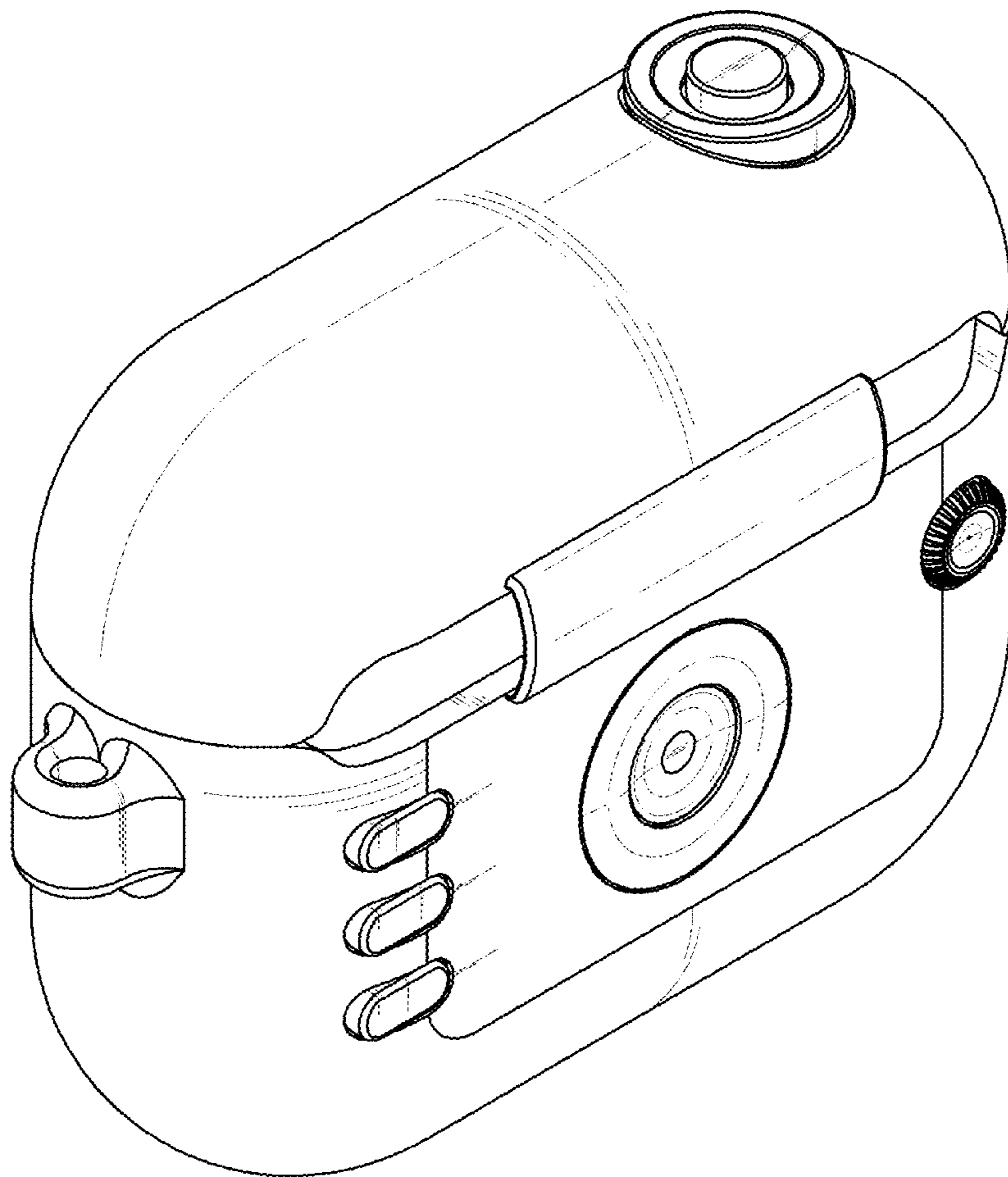


FIG. 9

