

US00D949861S

(12) **United States Design Patent**
Fukushima

(10) **Patent No.:** **US D949,861 S**

(45) **Date of Patent:** **** Apr. 26, 2022**

(54) **JOYSTICK**

(71) Applicant: **Canon Kabushiki Kaisha**, Tokyo (JP)

(72) Inventor: **Hiroyuki Fukushima**, Tokyo (JP)

(73) Assignee: **Canon Kabushiki Kaisha**, Tokyo (JP)

(**) Term: **15 Years**

(21) Appl. No.: **29/726,603**

(22) Filed: **Mar. 4, 2020**

(30) **Foreign Application Priority Data**

Sep. 5, 2019 (JP) 2019-019788

(51) **LOC (13) Cl.** **14-02**

(52) **U.S. Cl.**

USPC **D14/412**; D14/413

(58) **Field of Classification Search**

USPC D14/155–159, 160–173, 187–188,
D14/189–198, 203.1–203.8, 204–216,
D14/217–222, 225–229, 257–258,
D14/400–416, 426–431, 496, 900–902;
D16/131–133, 135, 221–222, 227,
D16/230–231, 234; D18/4.1–4.6;
D21/324–332, 403, 477, 512–513, 516,
D21/566; D12/174–180; D28/85, 86, 87,
D28/88, 90

CPC H04R 1/02; H04R 1/021; H04R 1/025;
H04R 1/026; H04R 1/028; H04R 1/06;
H04R 1/105; H04R 1/323; H04R 1/403;
H04R 1/2803; H04R 1/2834

See application file for complete search history.

(56) **References Cited**

U.S. PATENT DOCUMENTS

2,131,593 A * 9/1938 Marshall H04R 1/222
381/189

D197,231 S * 12/1963 Pomper D8/312

D408,339 S * 4/1999 Hussaini D12/179

D511,158 S * 11/2005 Coleman D14/228
D567,448 S * 4/2008 Mascotte D28/90
D667,998 S * 9/2012 Sheffield D28/81

(Continued)

FOREIGN PATENT DOCUMENTS

GB 8208395000-1000 * 3/2020
JP D1666937 * 8/2020
WO WOD208395-001 * 9/2020

OTHER PUBLICATIONS

Birns & Sawyer VR-1034 3-Axis Switchable Joystick, date not available, [retrieved Feb. 7, 2022], Retrieved from Internet, URL: <https://www.bhphotovideo.com/c/product/594851-REG/Birns_Sawyer_290031_VR_1034_3_Axis_Switchable_Joystick.html?ap=y&ap=y&smp=y&smp%E2%80%A6> (Year: 2022).*

(Continued)

Primary Examiner — Barbara Fox

Assistant Examiner — Aram Kwon

(74) *Attorney, Agent, or Firm* — Venable LLP

(57) **CLAIM**

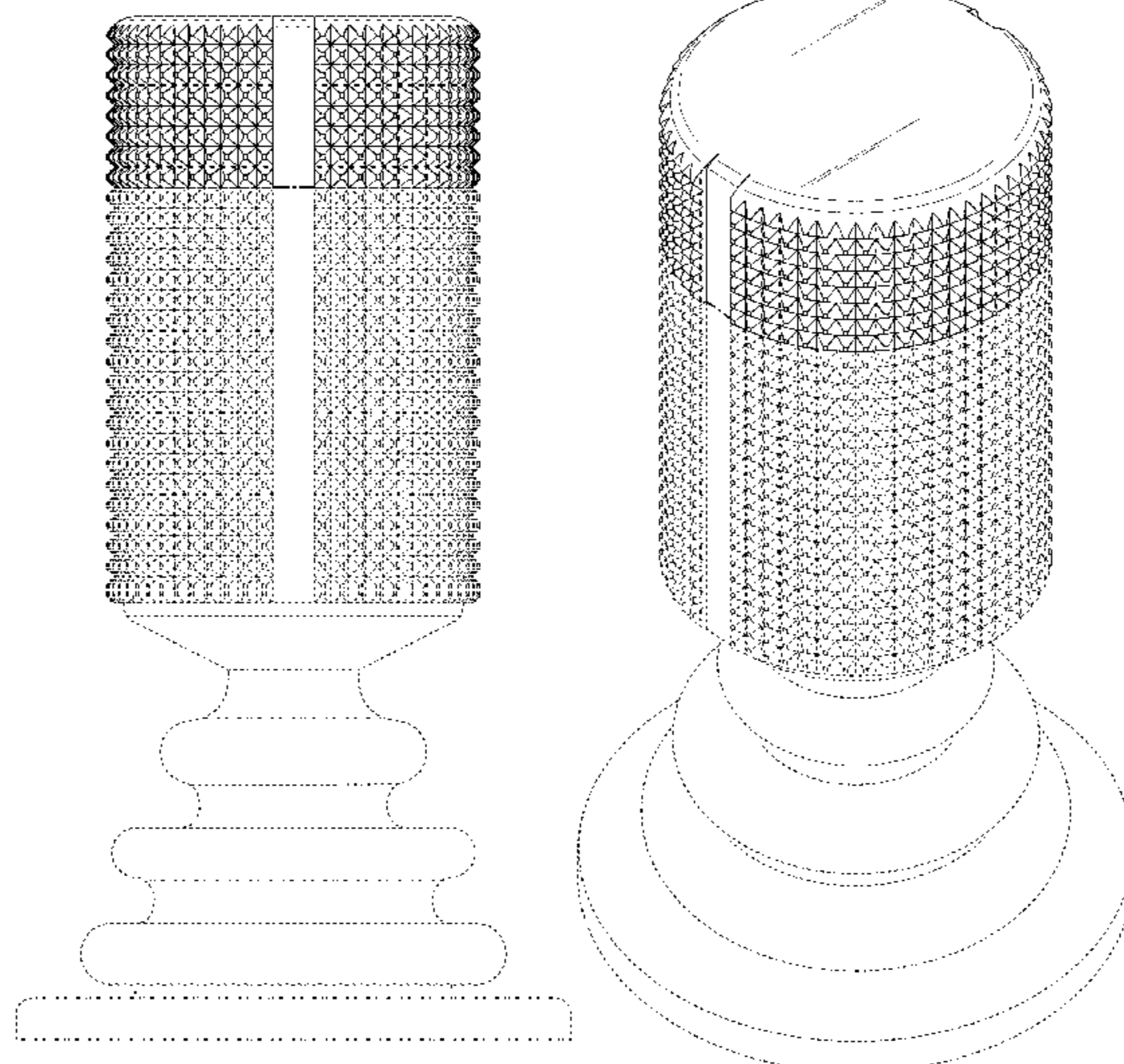
The ornamental design for a joystick, as shown and described.

DESCRIPTION

FIG. 1 is a front view of a joystick showing my new design; FIG. 2 is a rear view thereof; FIG. 3 is a top plan view thereof; FIG. 4 is a bottom plan view thereof; FIG. 5 is a left side view thereof; FIG. 6 is a right side view thereof; and, FIG. 7 is a perspective view thereof.

The dash-dotted broken lines in the drawings define the bounds of the claimed design; the evenly spaced broken lines show portions of the joystick; all broken lines form no part of the claimed design.

1 Claim, 7 Drawing Sheets



(56)

References Cited

U.S. PATENT DOCUMENTS

D868,754 S	*	12/2019	Chou	D14/225
D897,224 S	*	9/2020	Bai	D10/41
D905,022 S	*	12/2020	Zheng	D14/225
D910,604 S	*	2/2021	Zheng	D14/225

OTHER PUBLICATIONS

Canon RC-IP100 Touchscreen PTZ Joystick Controller, question date: Mar. 18, 2021, [retrieved Feb. 7, 2022], Retrieved from Internet, URL: <https://www.bhphotovideo.com/c/product/1630655-REG/canon_rc_ip100_touchscreen_ptz_joystick.html/qa> (Year: 2021).*

HE3 Multi-Axis Finger Joystick, date not available, [retrieved Feb. 7, 2022], Retrieved from Internet, URL: <<https://www.althencontrols.com/de/industrielle-joysticks-und-positionssensoren/joysticks-und-controller/finger-und-daumenjoysticks/11918/he3-multi-ax%E2%80%A6>> (Year: 2022).*

Multi-axis Industrial Joystick Controller, date not available, [retrieved Feb. 7, 2022], Retrieved from Internet, URL: <<https://www.runntech.com/product/rt100-multi-axis-industrial-proportional-joystick-controller/>> (Year: 2022).*

Multi-axis joystick, date not available, [retrieved Feb. 7, 2022], Retrieved from Internet, URL: <<https://www.directindustry.com/prod/curtiss-wright/product-4591-2029203.html>> (Year: 2022).*

Techkey, date n/a, [retrieved Feb. 9, 2022], URL: <<https://bermuda.desertcart.com/products/106299645-64-gb-usb-flash-drive-techkey-bling-rhinestone-jump-drive-diamond-pen-drive-crystal-thumb-drive-glitter-lipstick-case-pendrive-shining-necklace-memory-stick-with-jewelry-bag-gift-for-girls-pink>> (Year: 2022).*

Epic Kiss Nourishing Vegan Butter Lipstick, review date: Aug. 2021, [retrieved Feb. 9, 2022], Retrieved from Internet, URL: <<https://www.kvdveganbeauty.com/lip/lipstick/epic-kiss-nourishing-vegan-butter-lipstick/53824.html?lang=default>> (Year: 2021).*

Rhinestone Lipstick Pens, review date: Sep. 7, 2017, [retrieved Feb. 9, 2022], Retrieved from Internet, URL: <<https://www.hobbylobby.com/Party-Baking/Themed-Party-Collections/Princess/Rhinestone-Lipstick-Pens---5-Piece-Set/p/119739>> (Year: 2017).*

Vintage JEWELLED Rhinestone Lipstick Holder Tube, date not available, [retrieved Feb. 9, 2022], Retrieved from Internet, URL: <<https://picclick.com/Vintage-JEWELLED-Rhinestone-Lipstick-Holder-Tube-Case-Art-333834311147.html>> (Year: 2022).*

Signature Club A Exquisite Bejeweled Jar, review date: Jul. 17, 2021, [retrieved Feb. 9, 2022], Retrieved from Internet, URL: <<https://www.hsn.com/products/signature-club-a-exquisite-bejeweled-jar-with-capsules-/20136998>> (Year: 2021).*

* cited by examiner

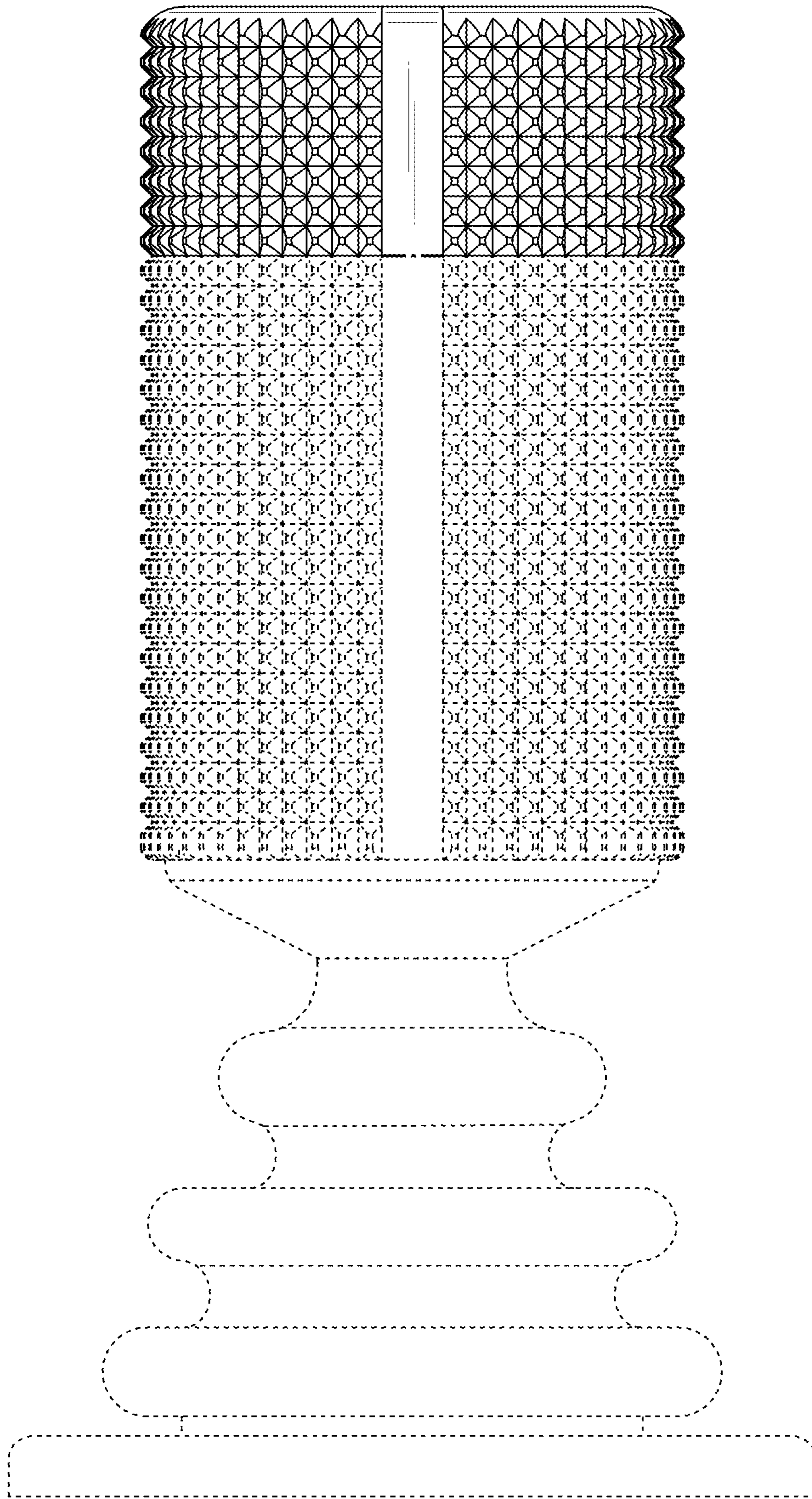


FIG. 1

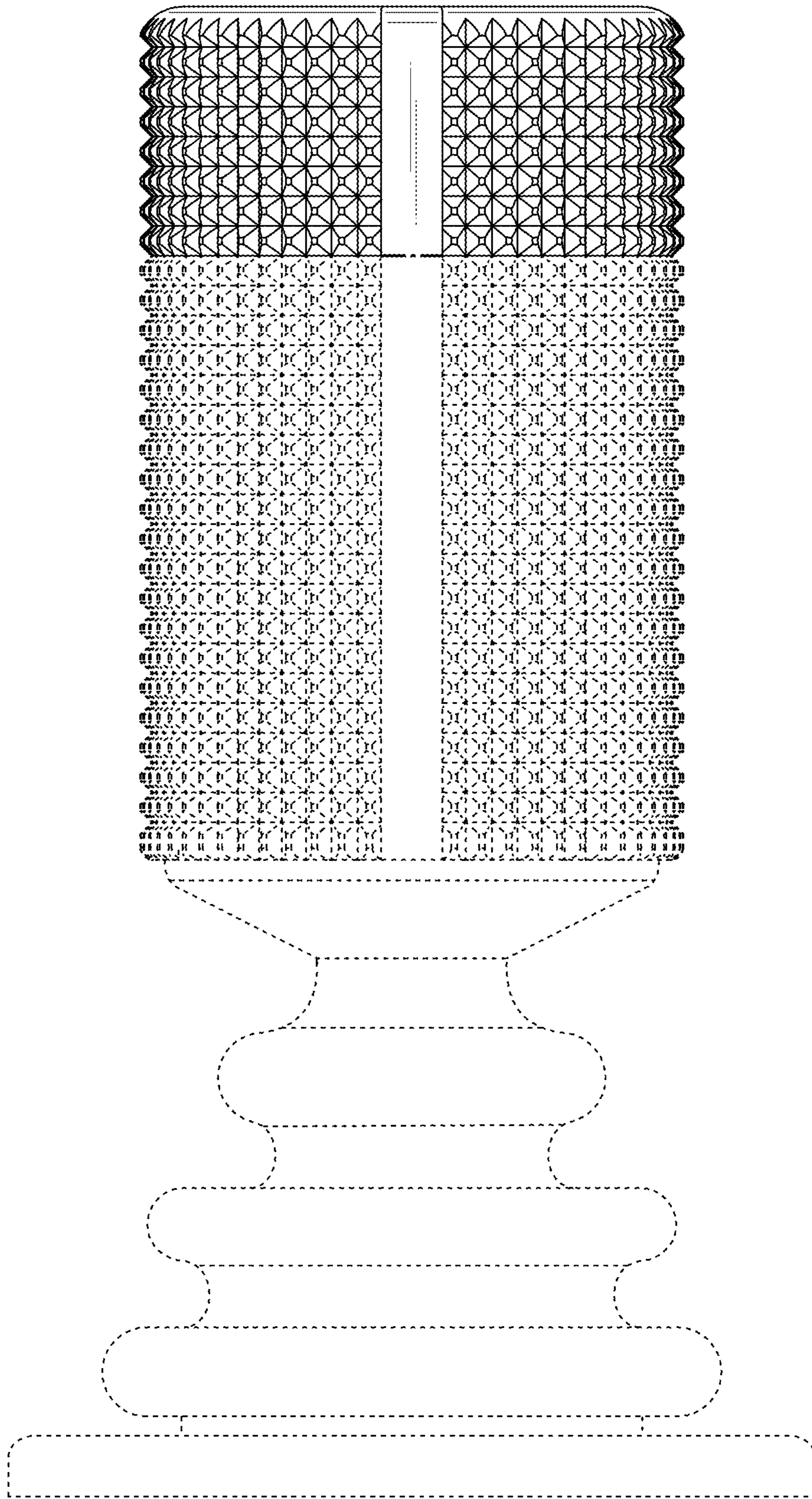


FIG. 2

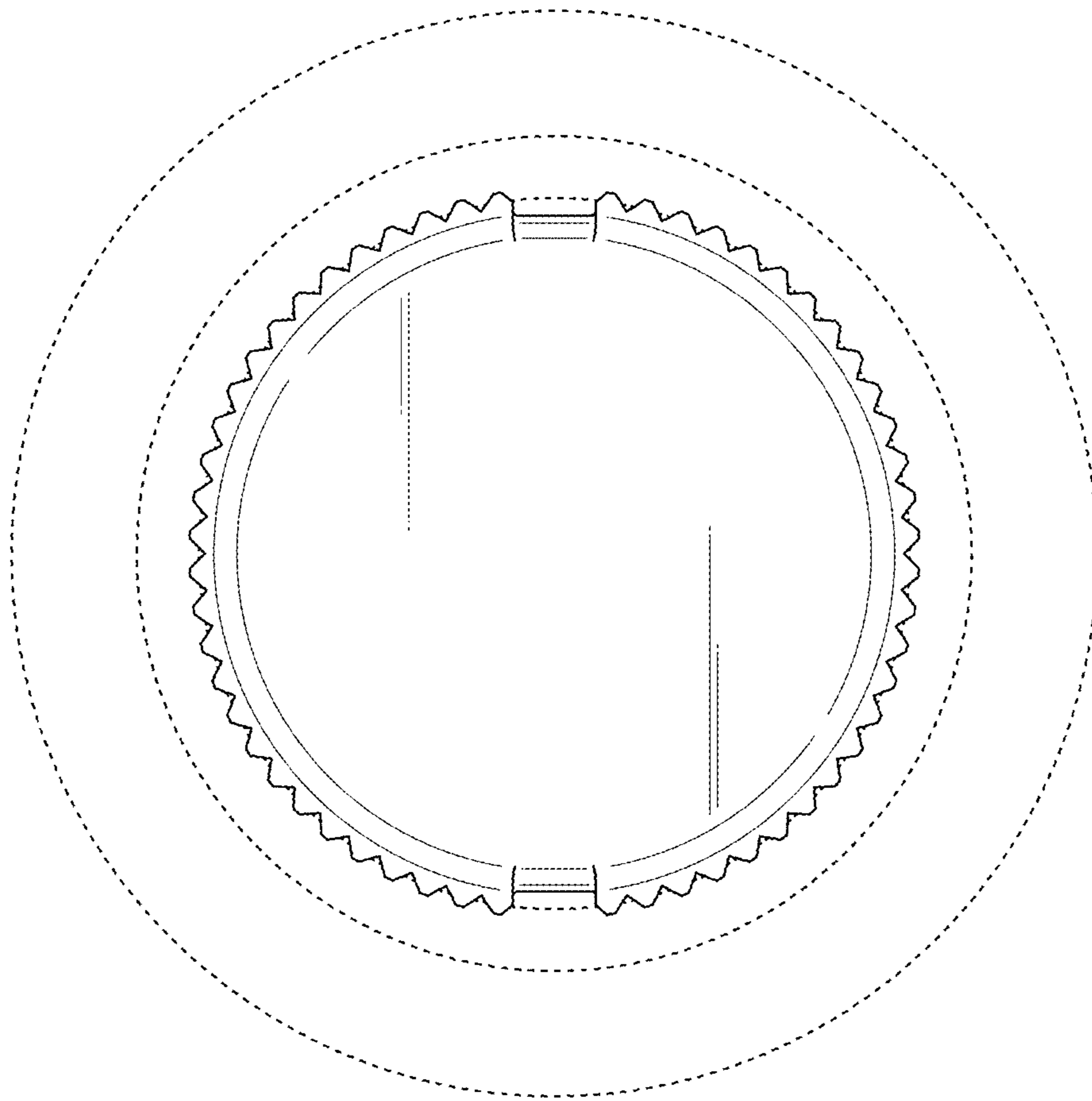


FIG. 3

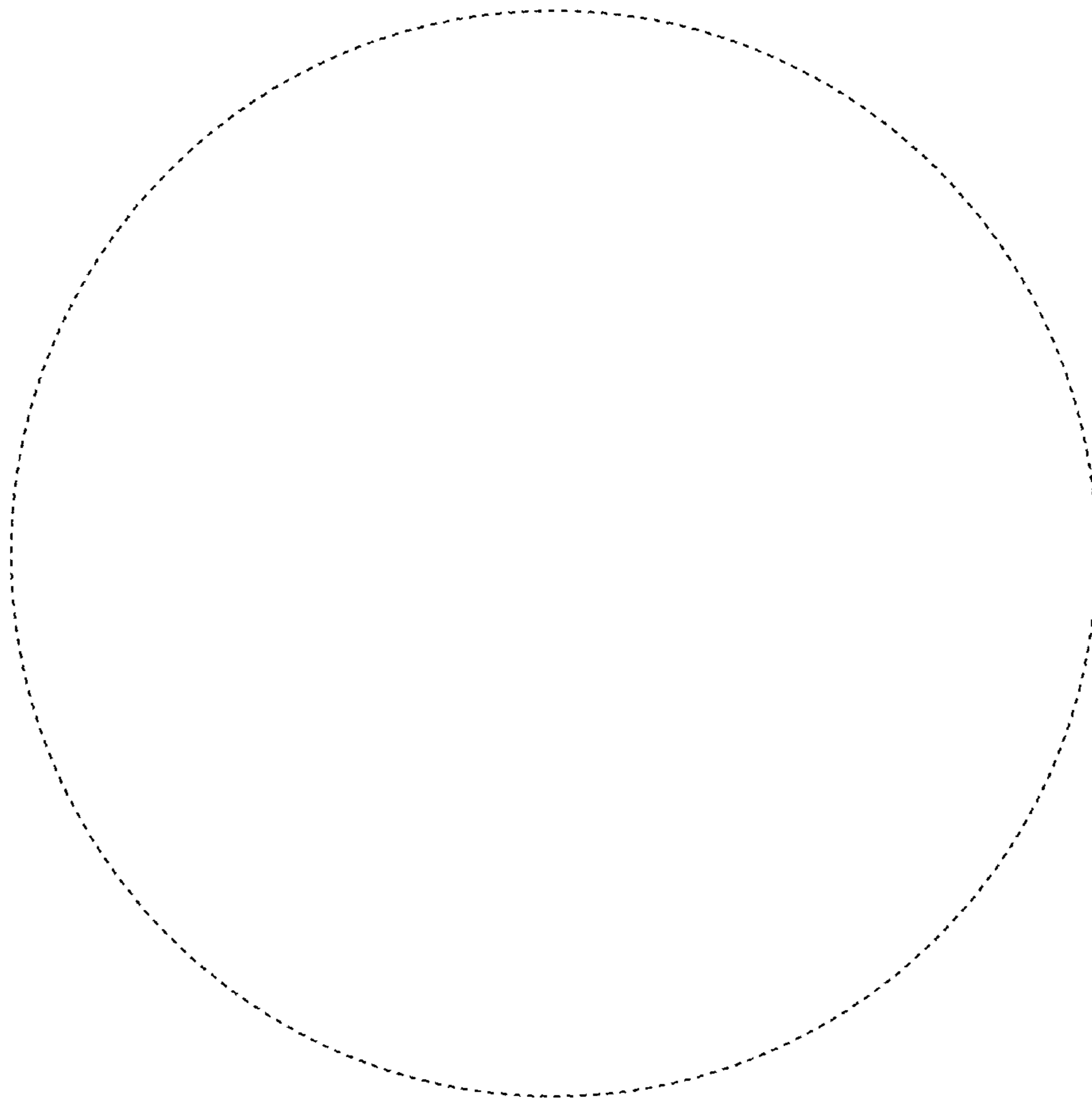


FIG. 4

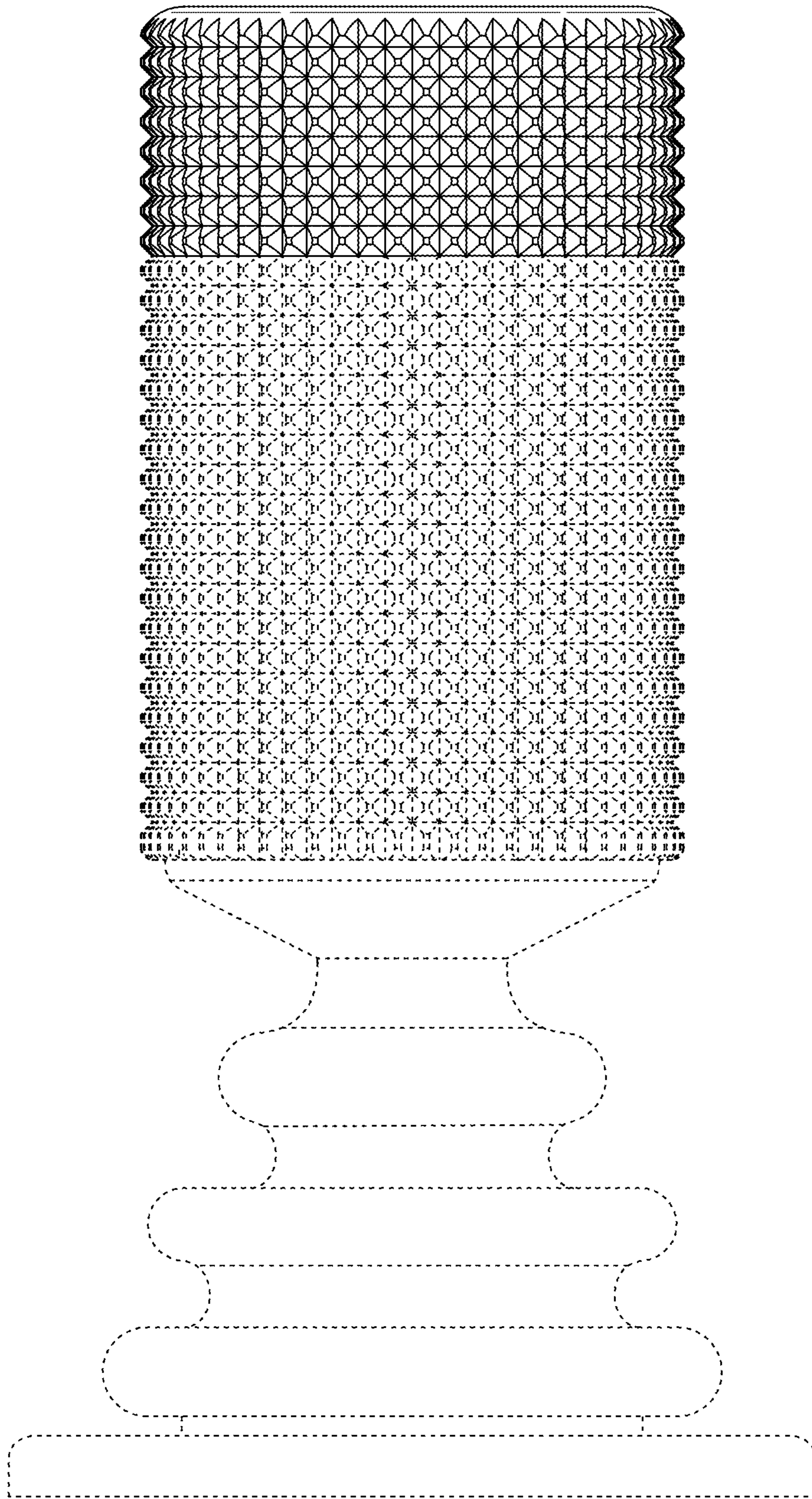


FIG. 5

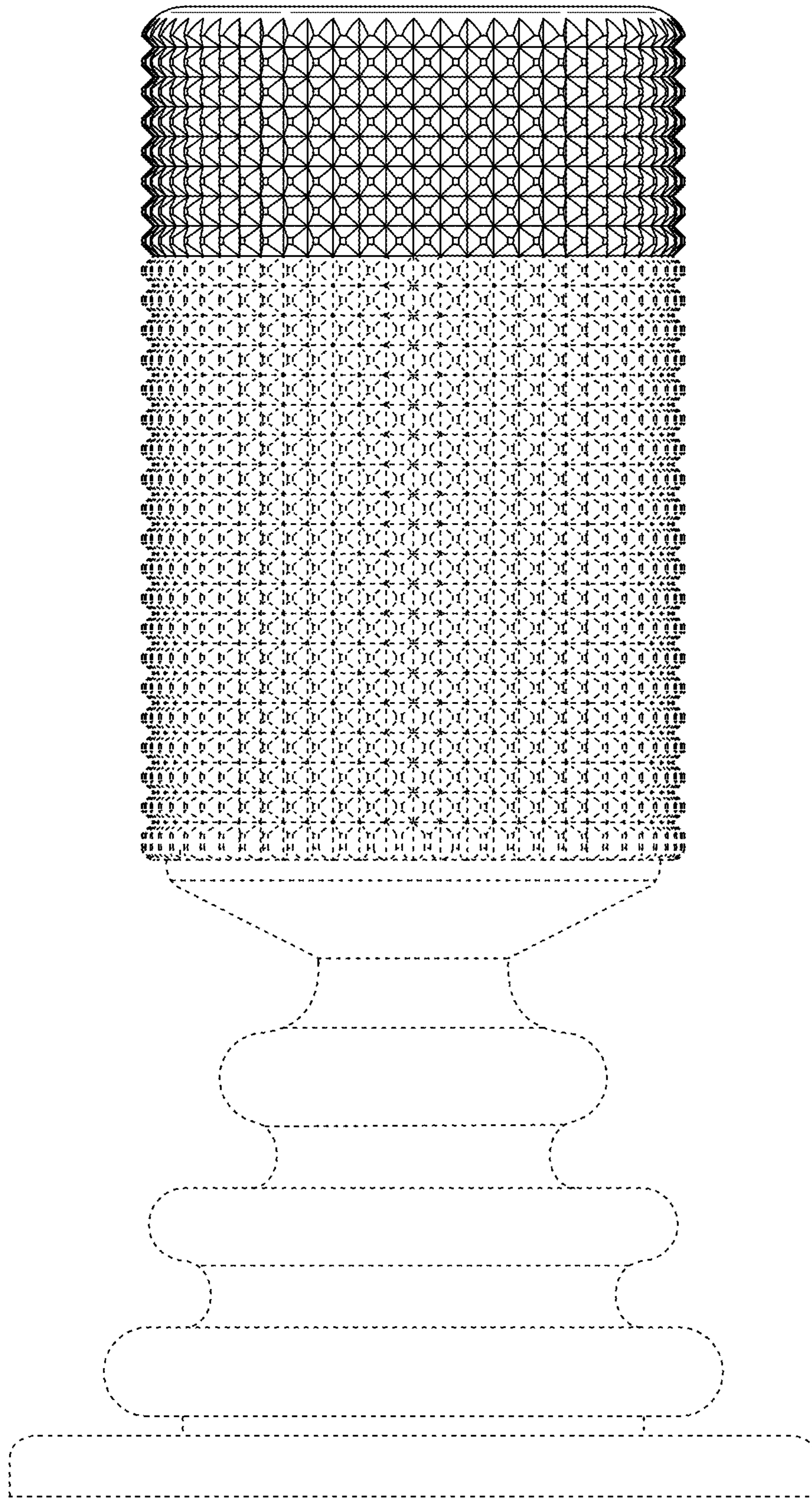


FIG. 6

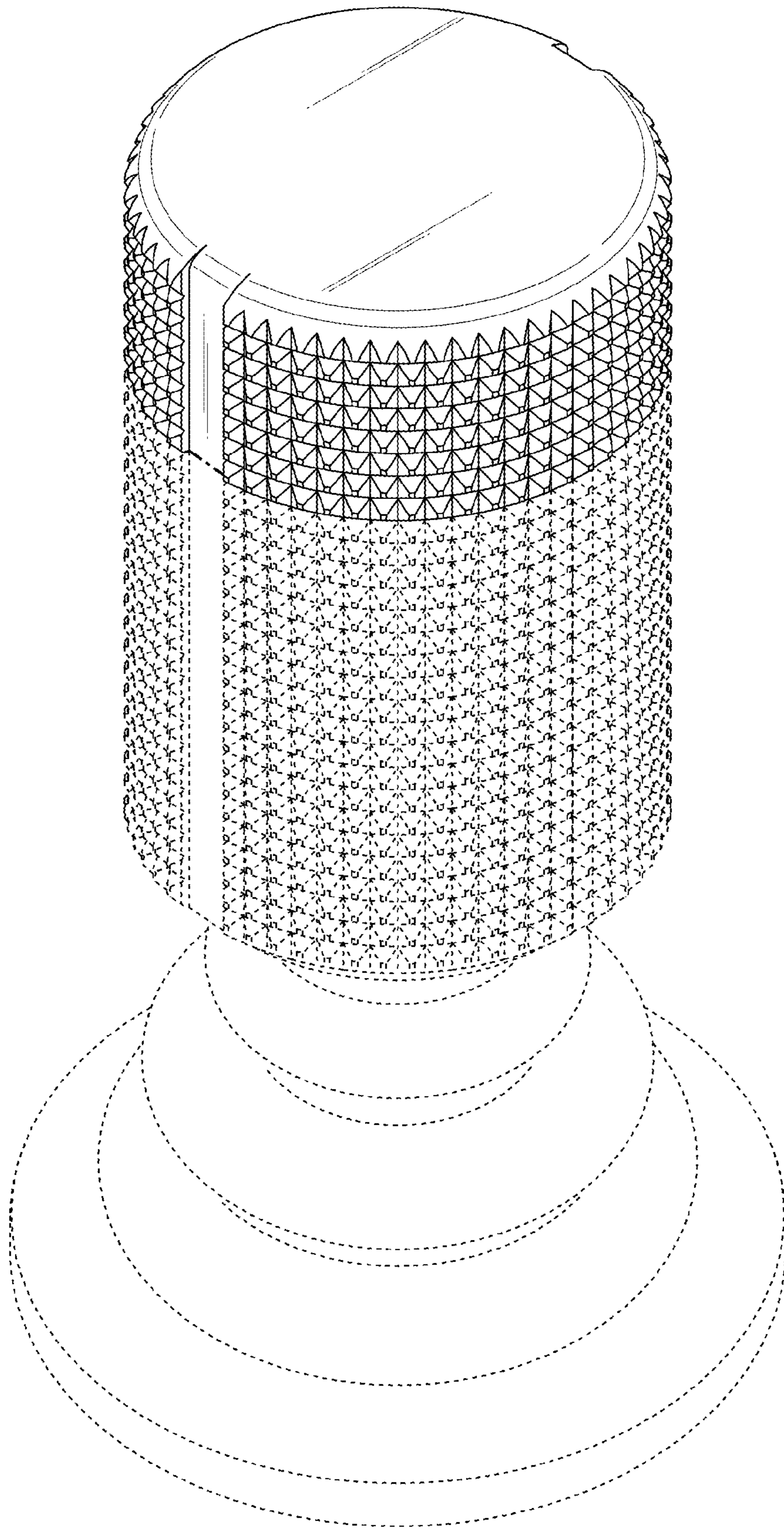


FIG. 7