



US00D949859S

(12) **United States Design Patent**
Foody et al.

(10) **Patent No.:** **US D949,859 S**
(45) **Date of Patent:** **** Apr. 26, 2022**

(54) **READER DEVICE**

(71) Applicant: **Stripe, Inc.**, San Francisco, CA (US)
(72) Inventors: **James Foody**, Clinton, NY (US);
Robert Stephen Murdock, Orinda, CA (US); **Conor Hayes**, County Westmeath (IE); **John Affaki**, Los Altos, CA (US)
(73) Assignee: **NorMedix, Inc.**, Eden Prairie, MN (US)

(**) Term: **15 Years**

(21) Appl. No.: **29/755,955**

(22) Filed: **Oct. 23, 2020**

(51) **LOC (13) Cl.** **14-02**

(52) **U.S. Cl.**
USPC **D14/385**

(58) **Field of Classification Search**
USPC D18/4.4, 4.5, 4.6, 12, 12.1, 12.3;
D14/383, 384, 385, 386, 378, 420, 427,
D14/432-439, 447, 453; D13/107, 108,
D13/133, 146, 147, 152, 154, 156;
235/441, 451, 492, 380, 439, 375
CPC G06K 19/07749; G06K 19/0723; G06K
19/041; G06K 19/07758; G06K 19/0775;
G06K 19/07783; G06K 19/07794; G06K
19/06046; G06K 19/07722; G06K
19/07773; G06K 19/07779; G06K
19/07784; G06K 19/07786; G06K
19/0709

See application file for complete search history.

(56) **References Cited**

U.S. PATENT DOCUMENTS

D491,953 S * 6/2004 Arakaki D14/383
D500,039 S * 12/2004 Chen D14/385

D576,164 S * 9/2008 Takahashi D14/385
D578,121 S * 10/2008 Goto D14/385
D740,286 S * 10/2015 Templeton D14/385
D797,739 S * 9/2017 Templeton D14/385
D797,740 S * 9/2017 Nguyen D14/385
D822,023 S * 7/2018 Huff D14/385
D871,407 S * 12/2019 Isaacs D14/385
D894,898 S * 9/2020 Nakhare D14/385
D913,365 S * 3/2021 Chuang D18/4.6

* cited by examiner

Primary Examiner — Austin Murphy

(74) *Attorney, Agent, or Firm* — Schwegman Lundberg & Woessner, P.A.

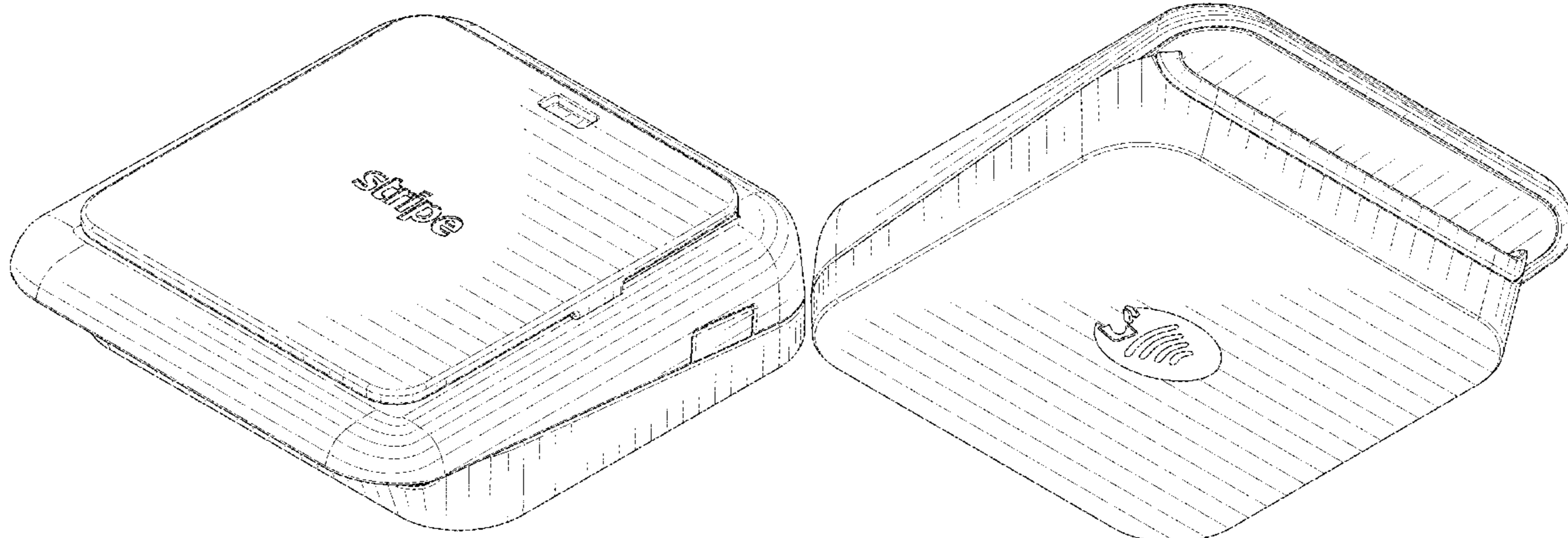
(57) **CLAIM**

The ornamental design for a reader device, as shown and described.

DESCRIPTION

FIG. 1 is a front view of a reader device (e.g., a card reader device, such as a payment card reader device), showing our new design;
FIG. 2 is a rear view thereof;
FIG. 3 is a left side view thereof;
FIG. 4 is a right side view thereof;
FIG. 5 is a top view thereof;
FIG. 6 is a bottom view thereof;
FIG. 7 is a top-front-left perspective view thereof;
FIG. 8 is a bottom-front-right perspective view thereof;
FIG. 9 is a top-rear-right perspective view thereof; and,
FIG. 10 is a bottom-rear-left perspective view thereof.
The shade lines show surface contour and not surface ornamentation.

1 Claim, 8 Drawing Sheets



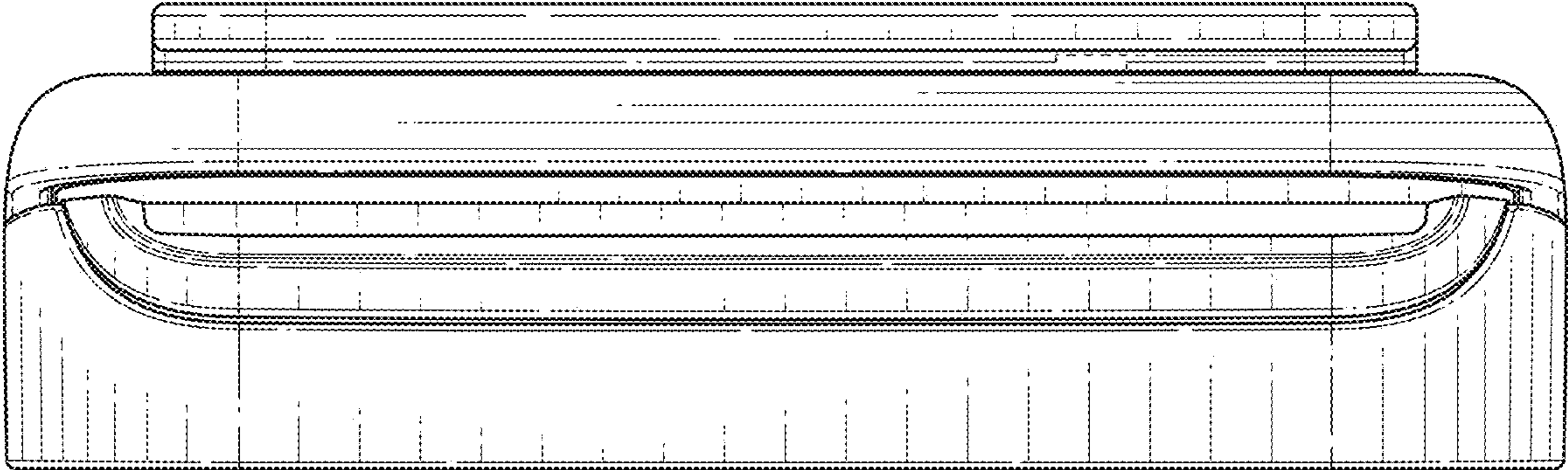


FIG. 1

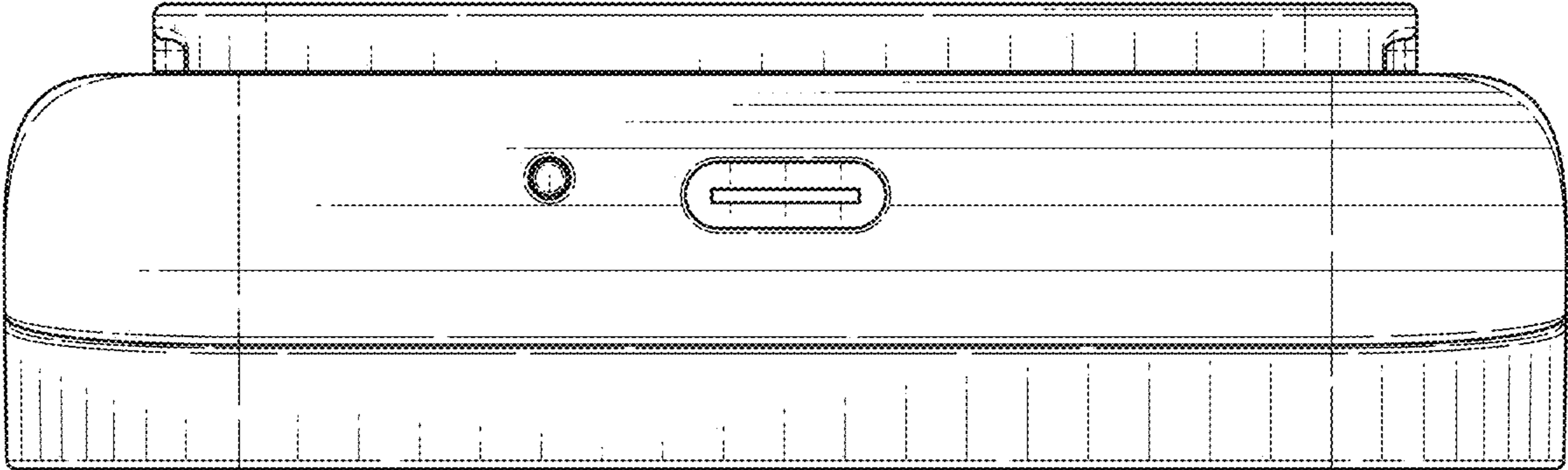


FIG. 2

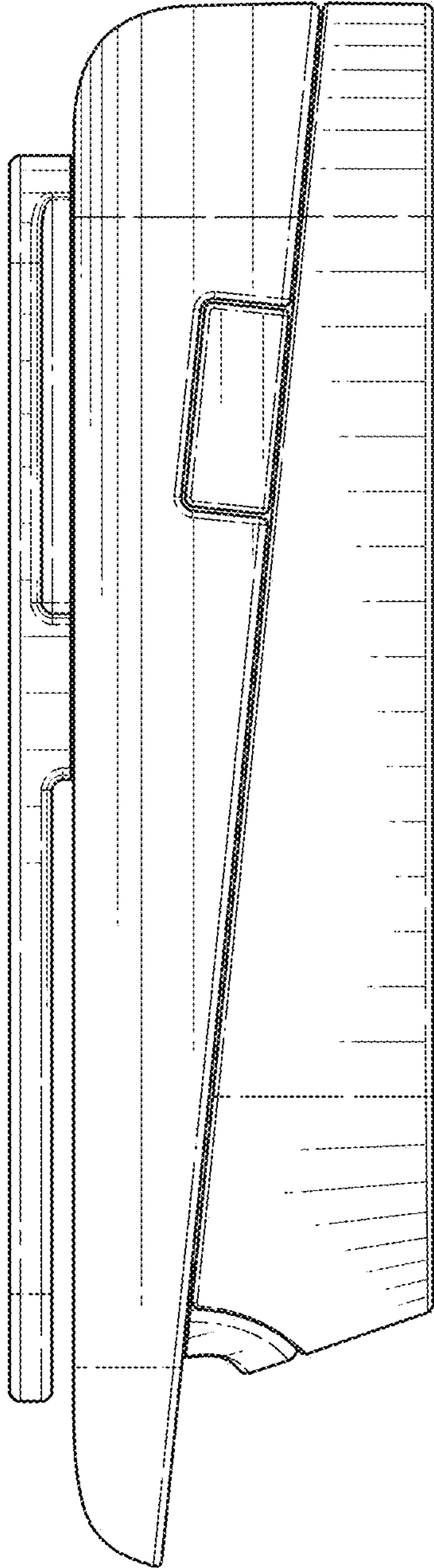


FIG. 3

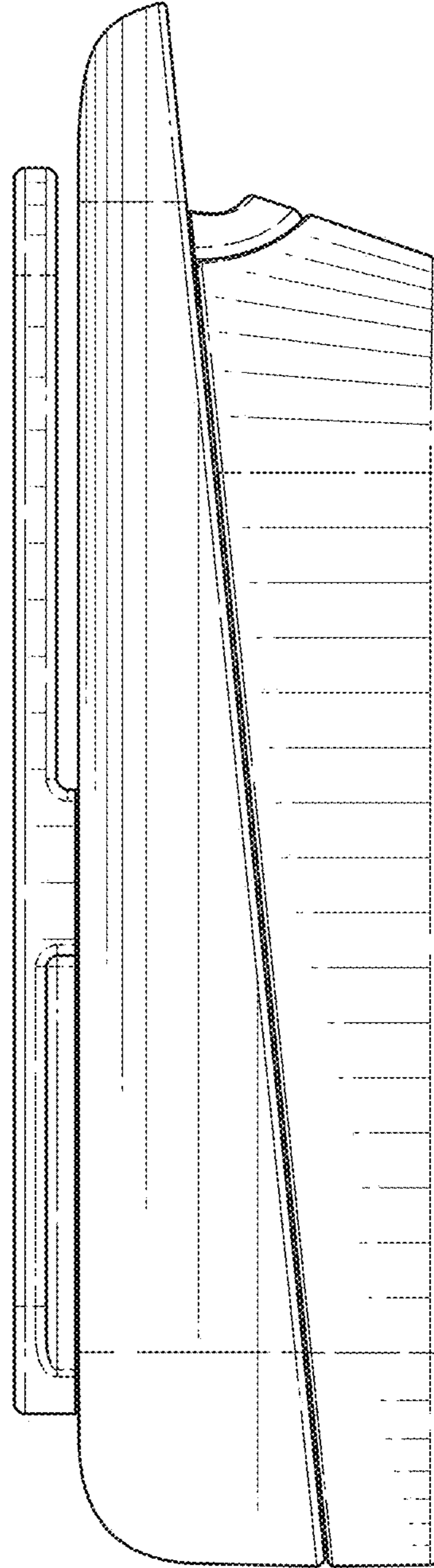


FIG. 4



FIG. 5



FIG. 6

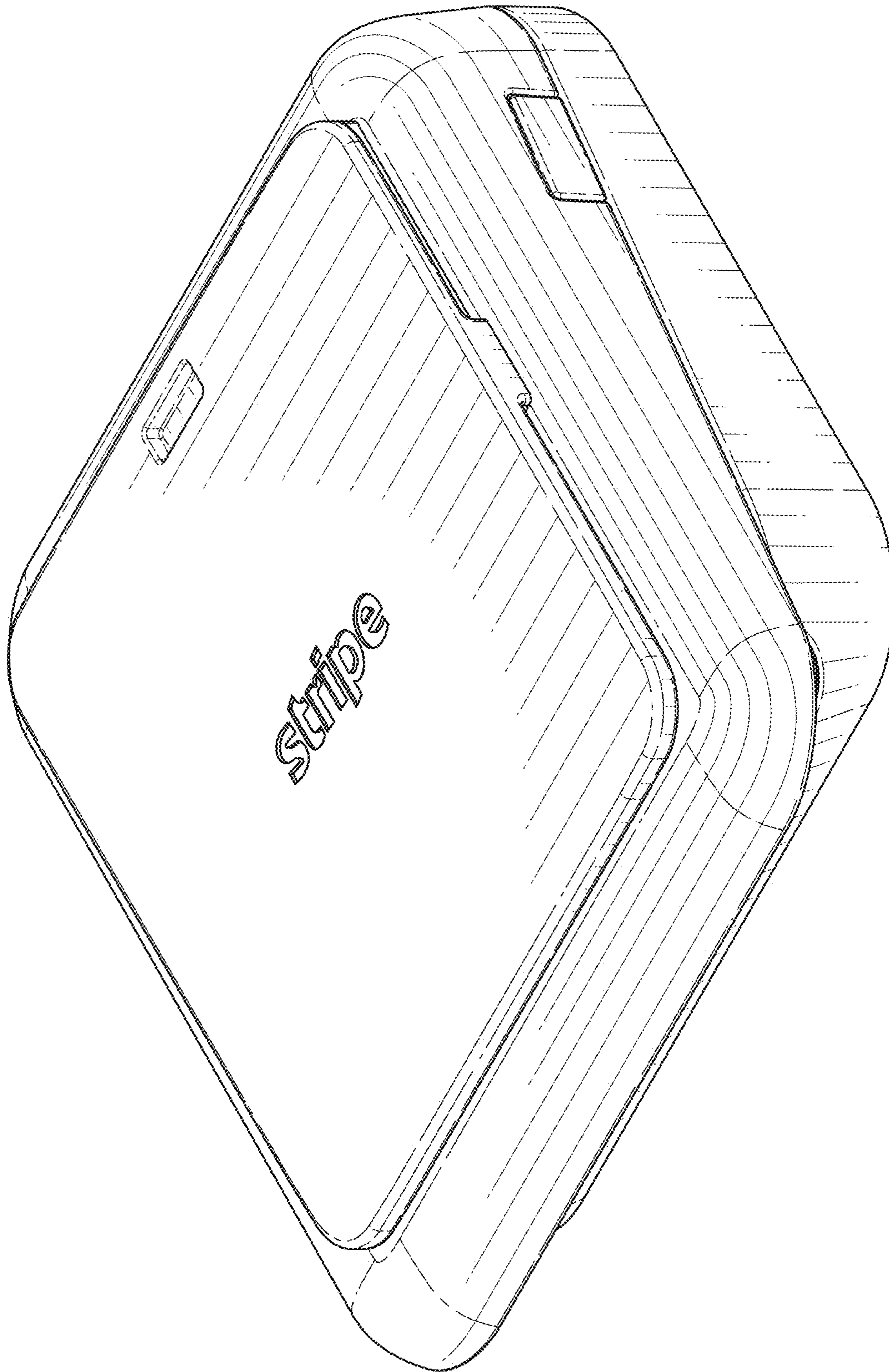


FIG. 7

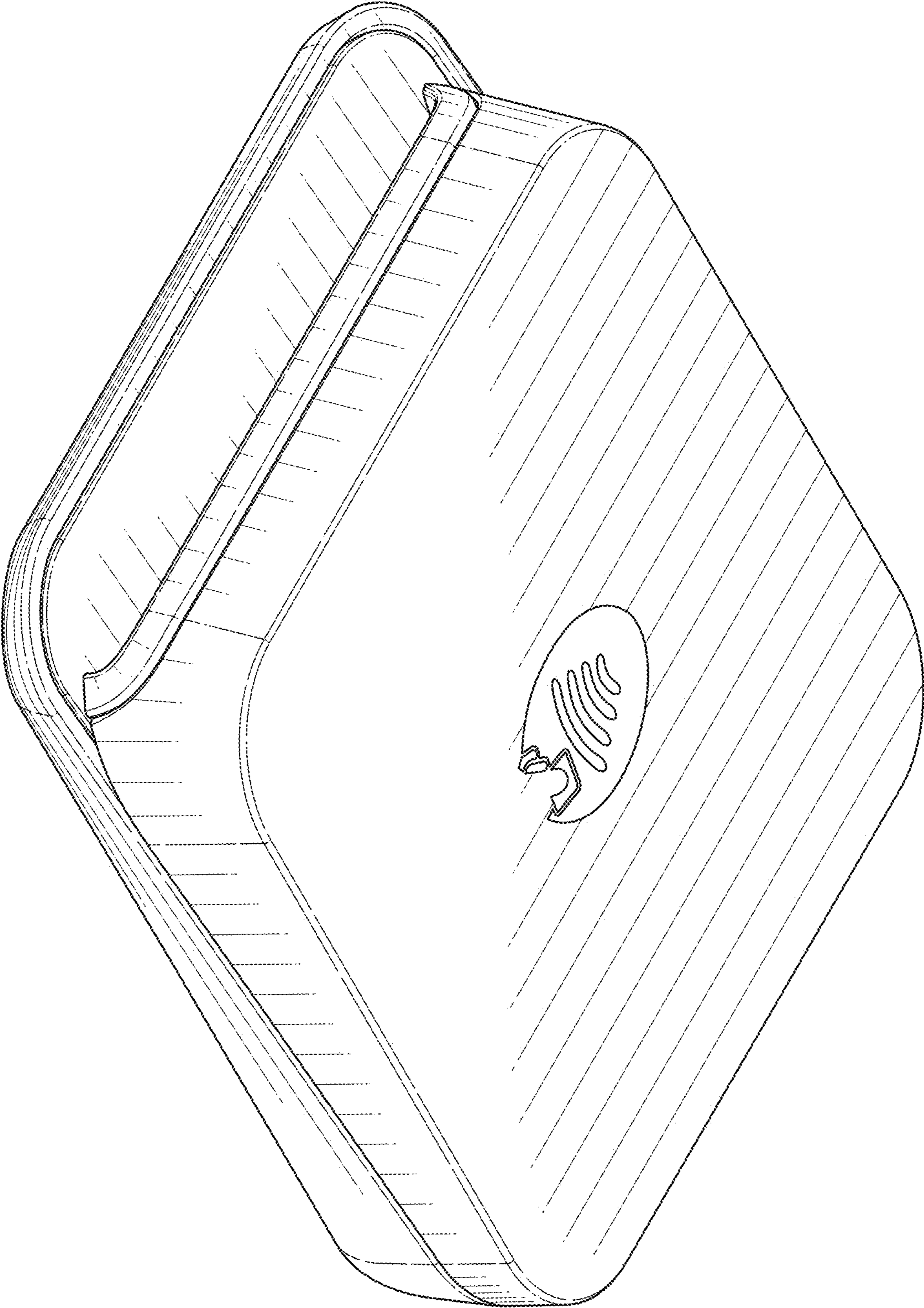


FIG. 8

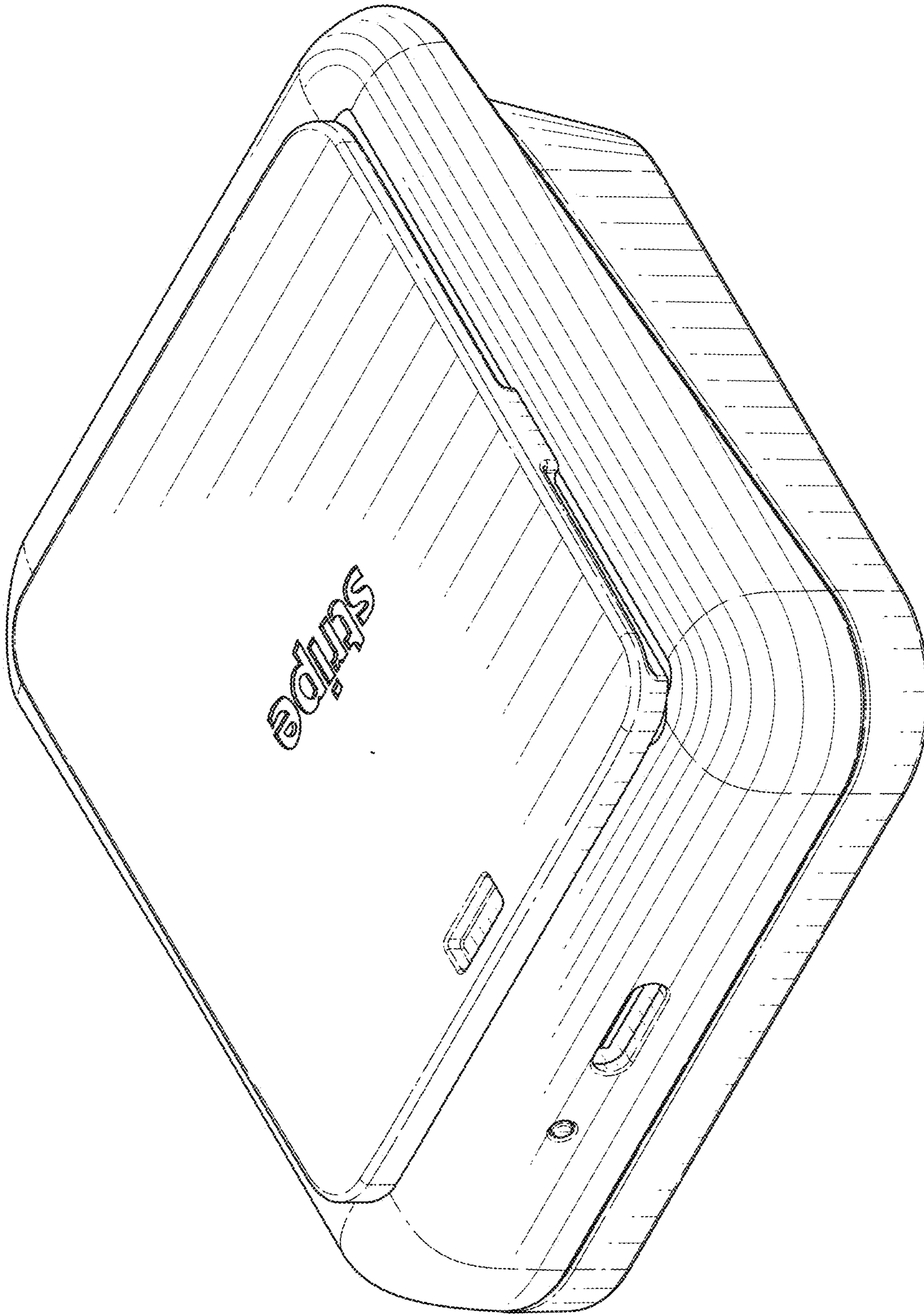


FIG. 9

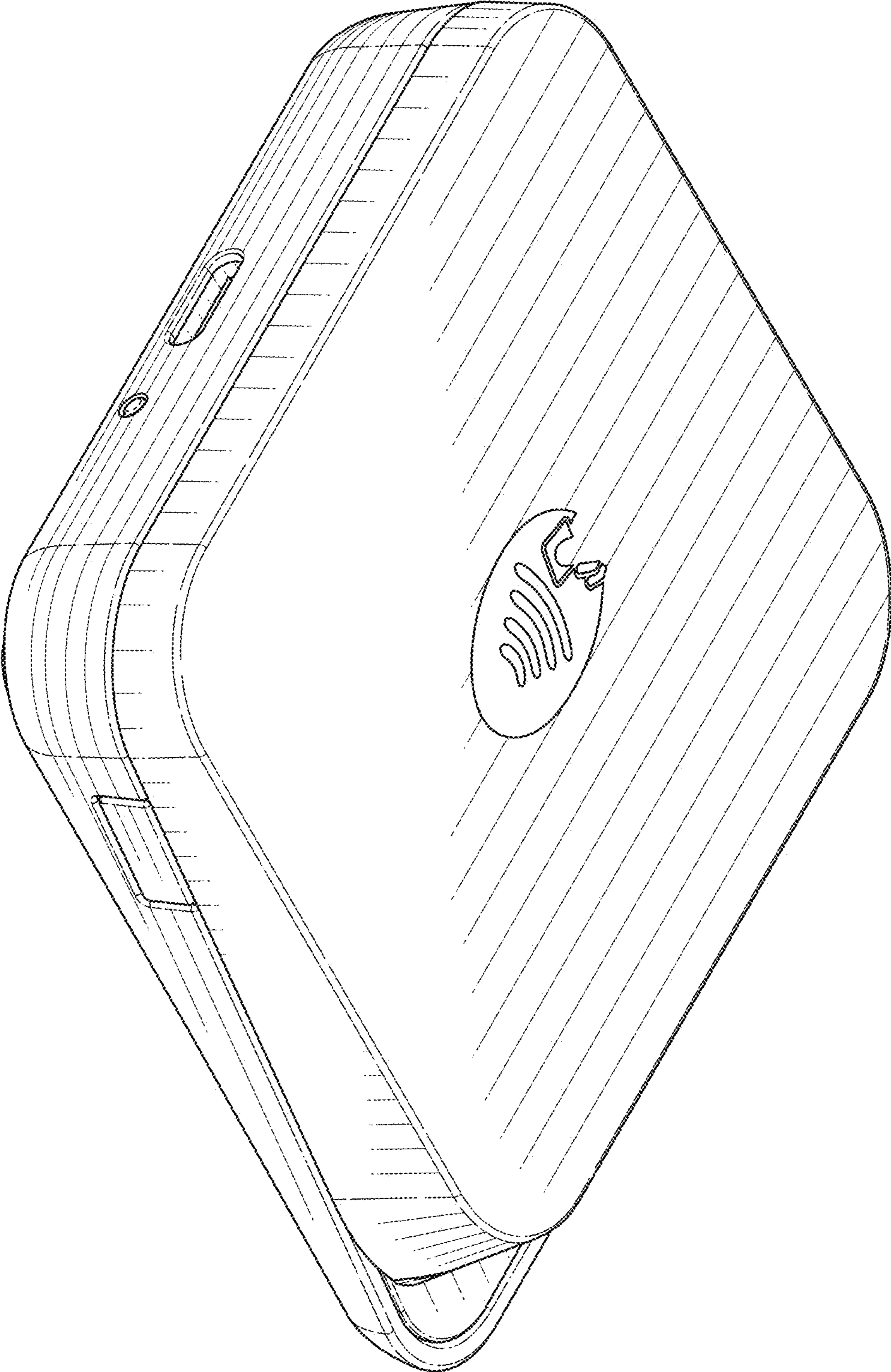


FIG. 10