



US00D949858S

(12) **United States Design Patent**
Nishimura et al.

(10) **Patent No.:** **US D949,858 S**

(45) **Date of Patent:** **** Apr. 26, 2022**

(54) **ATTACHMENT MEMBER FOR HEAD-MOUNTED DISPLAY**

(71) Applicant: **CANON KABUSHIKI KAISHA**,
Tokyo (JP)

(72) Inventors: **Kenichi Nishimura**, Tokyo (JP);
Yoshiyuki Kashiwagi, Tokyo (JP)

(73) Assignee: **Canon Kabushiki Kaisha**, Tokyo (JP)

(**) Term: **15 Years**

(21) Appl. No.: **29/822,493**

(22) Filed: **Jan. 10, 2022**

Related U.S. Application Data

(62) Division of application No. 35/510,847, filed on May 26, 2020 (U.S. filing date under 35 U.S.C. 384), and having an international filing date of May 26, 2020.

(30) **Foreign Application Priority Data**

Nov. 27, 2019 (JP) 2019-026222

(51) **LOC (13) Cl.** **14-02**

(52) **U.S. Cl.**
USPC **D14/372; D29/103; D29/122**

(58) **Field of Classification Search**
USPC D14/125, 126, 129, 192, 229, 344, 371,
D14/372, 432, 496; D16/100, 300, 309,
D16/311-313, 340; D29/103-107, 109,
D29/110, 122

CPC G02B 27/00; G02B 27/01; G02B 27/017;
G06F 3/017; G06F 3/0346

See application file for complete search history.

(56) **References Cited**

U.S. PATENT DOCUMENTS

D351,622 S * 10/1994 Holmes D14/372
D375,731 S * 11/1996 Holmes D14/372

D764,467 S * 8/2016 Nokuo D14/372
D769,242 S * 10/2016 Kymm D14/372
D812,278 S * 3/2018 Pontano D26/39
D835,852 S * 12/2018 Katopis D29/107
D844,605 S 4/2019 Yeh et al.

(Continued)

FOREIGN PATENT DOCUMENTS

CN 305179089 S 5/2019
JP D1616648 S 10/2018

(Continued)

OTHER PUBLICATIONS

Taiwan IPO Search Report issued in corresponding Taiwan Application No. 109302820 dated Nov. 11, 2020.

(Continued)

Primary Examiner — Keli L Hill

(74) *Attorney, Agent, or Firm* — Venable LLP

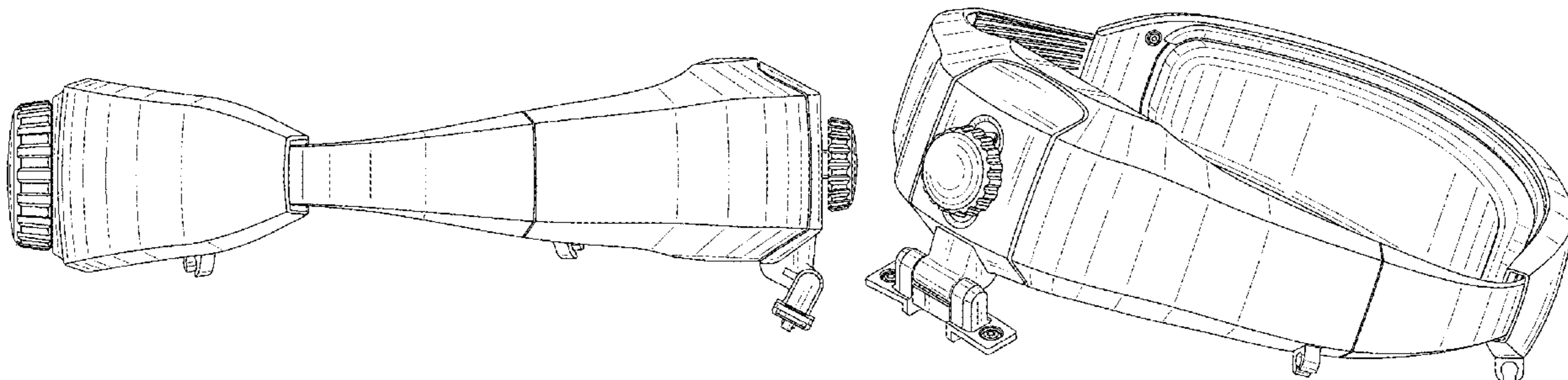
(57) **CLAIM**

The ornamental design for an attachment member for head-mounted display, as shown and described.

DESCRIPTION

FIG. 1 is a front view of an attachment member for head-mounted display according to our design;
FIG. 2 is a back view thereof;
FIG. 3 is a top view thereof;
FIG. 4 is a bottom view thereof;
FIG. 5 is a left view thereof;
FIG. 6 is a right view thereof;
FIG. 7 is a perspective view thereof; and,
FIG. 8 is a perspective view thereof in a state of use with a head-mounted display attached thereto.
The broken lines indicate environment that forms no portion of the claimed design.

1 Claim, 5 Drawing Sheets



(56)

References Cited

U.S. PATENT DOCUMENTS

D852,878 S * 7/2019 Li D16/309
 D872,080 S * 1/2020 Denhez D14/372
 D882,569 S * 4/2020 Tsao D14/372
 D883,980 S * 5/2020 Chen D14/372
 D887,407 S 6/2020 Rao et al.
 D898,738 S * 10/2020 Denhez D14/372
 D904,402 S * 12/2020 Marquis D14/372
 D916,086 S * 4/2021 Zhang D14/372
 D917,474 S * 4/2021 Chiang D14/372
 D918,203 S * 5/2021 Chen D14/372
 D918,904 S * 5/2021 Jackson G02B 27/0093
 D14/372
 D931,277 S * 9/2021 Denhez D14/372
 D932,488 S * 10/2021 Huang D14/372
 D934,243 S * 10/2021 Jackson D14/372
 D937,828 S * 12/2021 Glynn G08B 21/0469
 D14/344
 2018/0278825 A1* 9/2018 Myoken G02B 27/0093

FOREIGN PATENT DOCUMENTS

JP D1617521 S 11/2018
 TW D191803 S 7/2018

OTHER PUBLICATIONS

Taiwan IPO Search Report issued in corresponding Taiwan Application No. 109302821 dated Nov. 11, 2020.
 Taiwan IPO Search Report issued in corresponding Taiwan Application No. 109302824 dated Nov. 11, 2020.
 Taiwan IPO Search Report issued in corresponding Taiwan Application No. 109302825 dated Nov. 11, 2020.
 PetaPixel.com; Schneider, Jaron; "Canon to Release \$38,400 'Mixed Reality' Headset"; [online] '<https://petapixel.com/2021/01/27/canon-to-release-38400-mixed-reality-headset/>'; dated Jan. 27, 2021; accessed Nov. 5, 2021; 6 pgs. (Year: 2021).

* cited by examiner

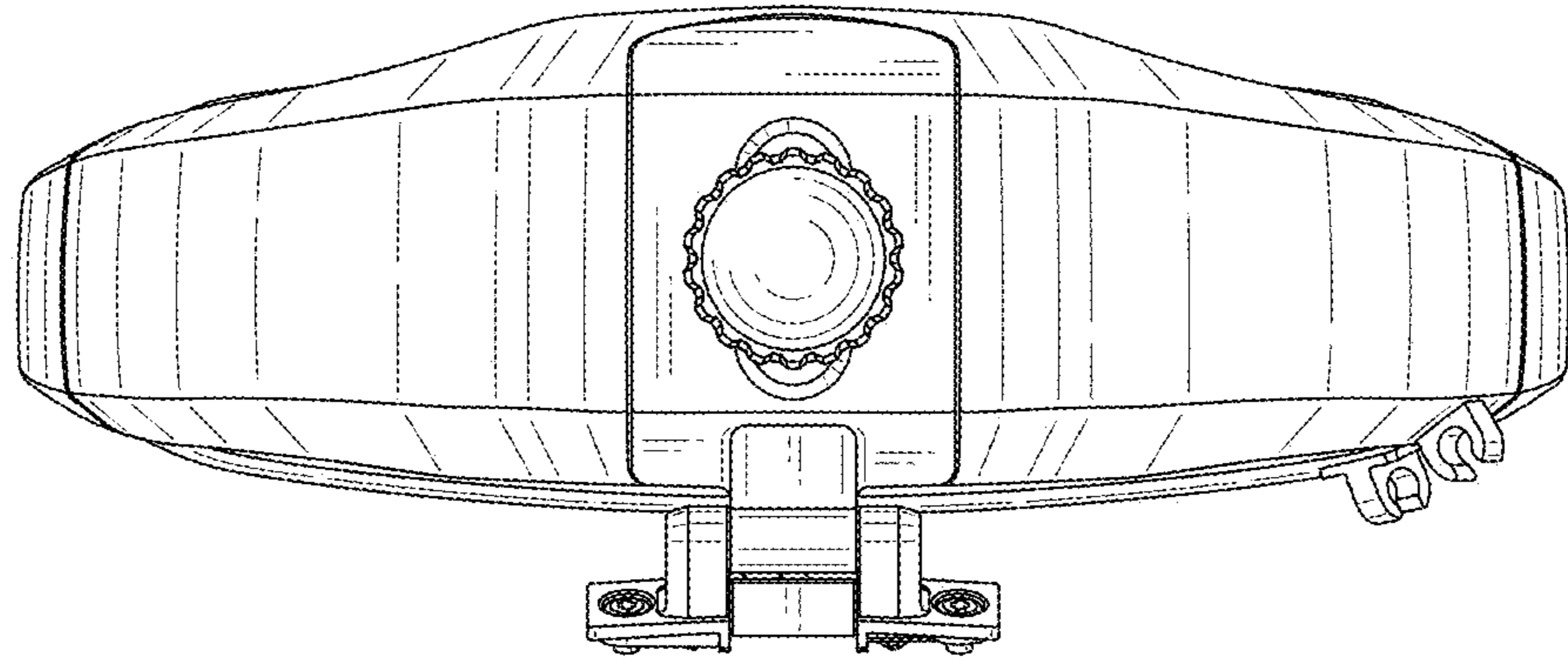


FIG. 1

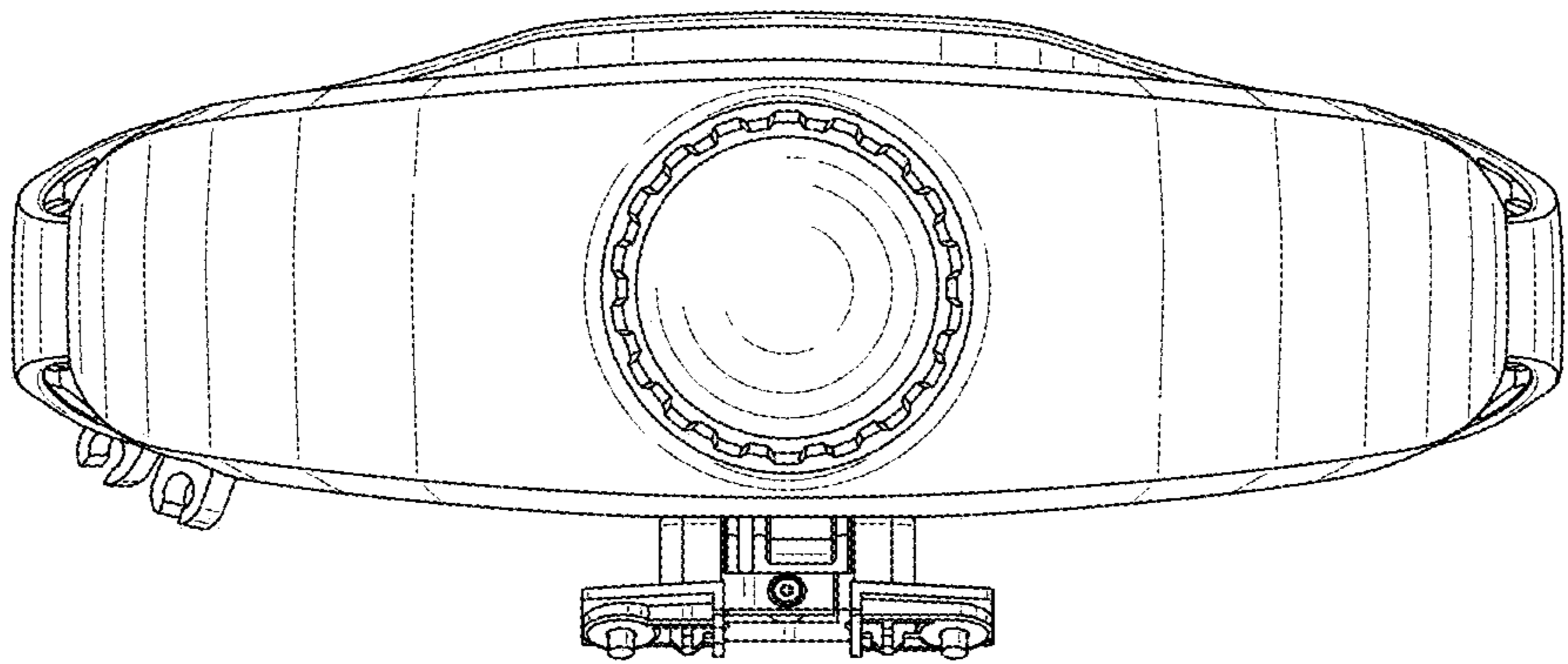


FIG. 2

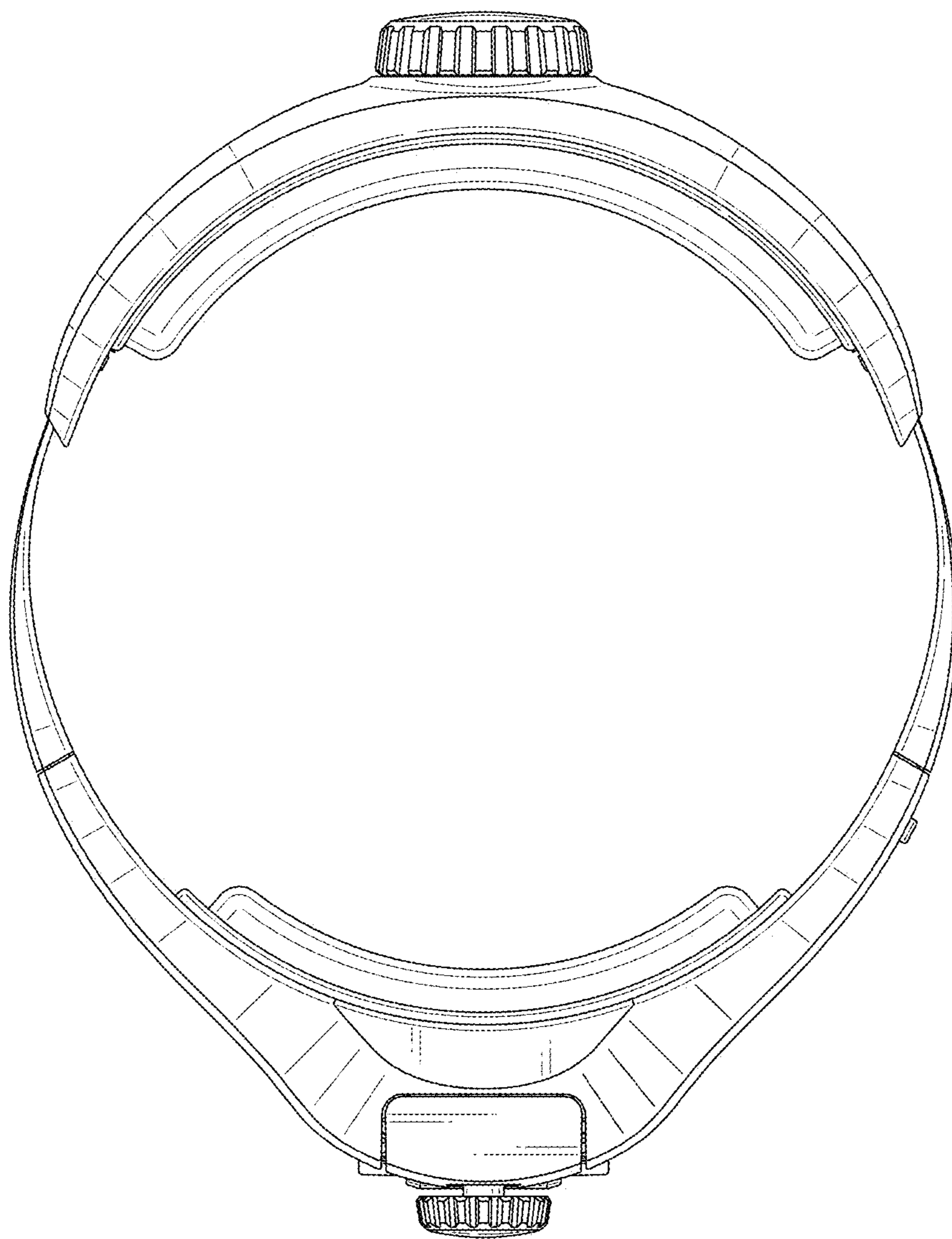


FIG. 3

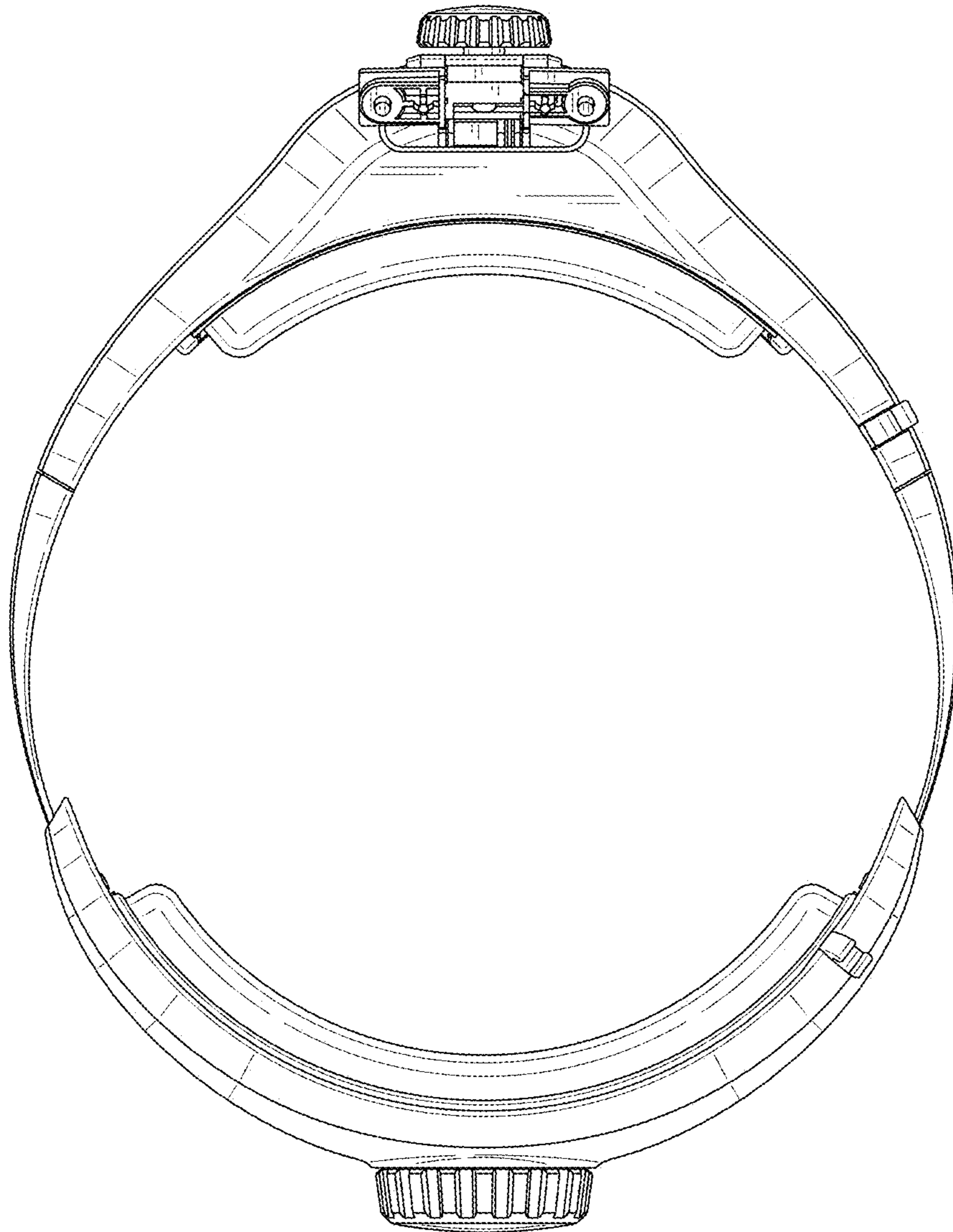


FIG. 4

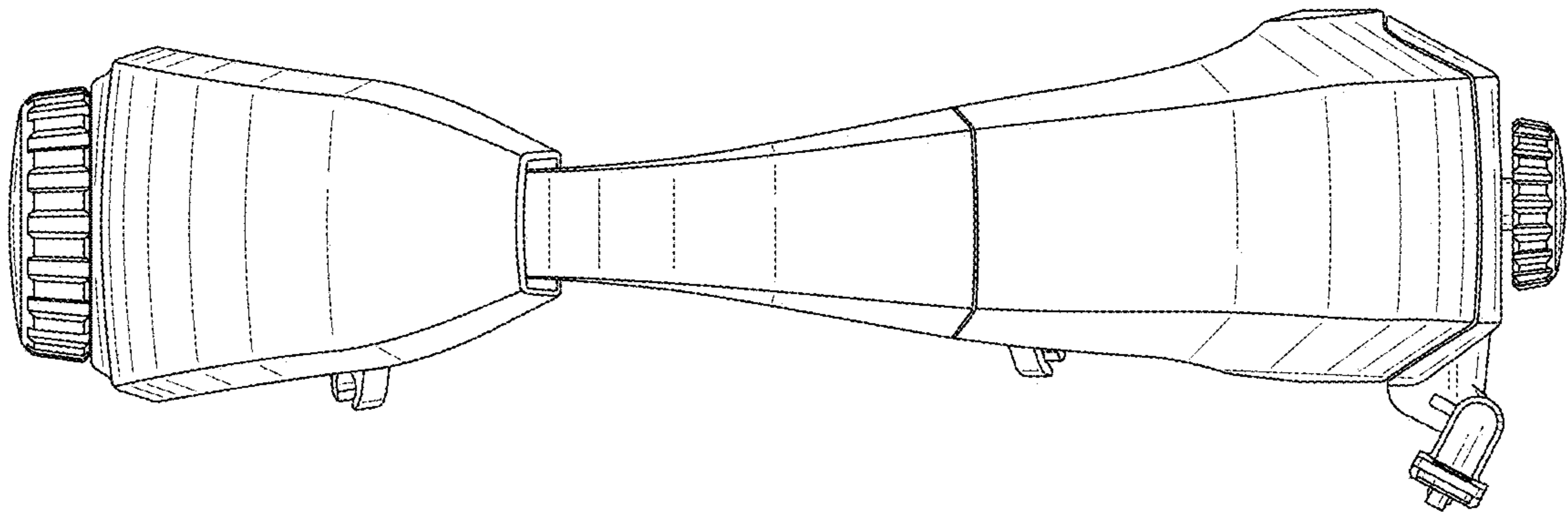


FIG. 5

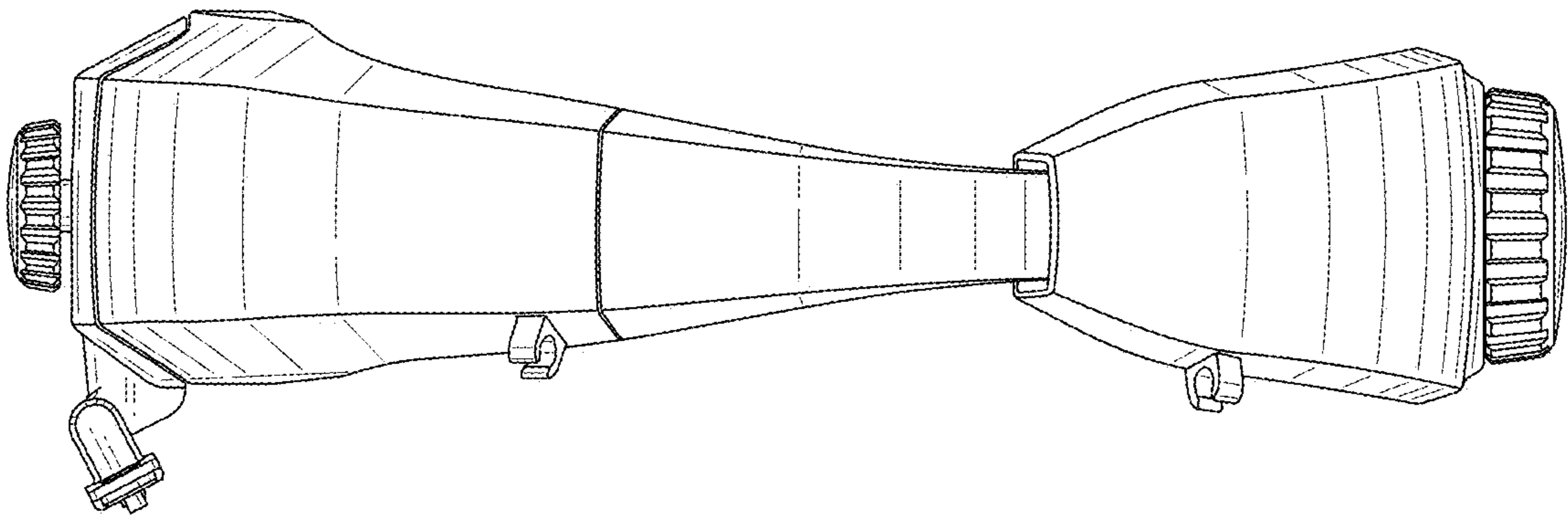


FIG. 6

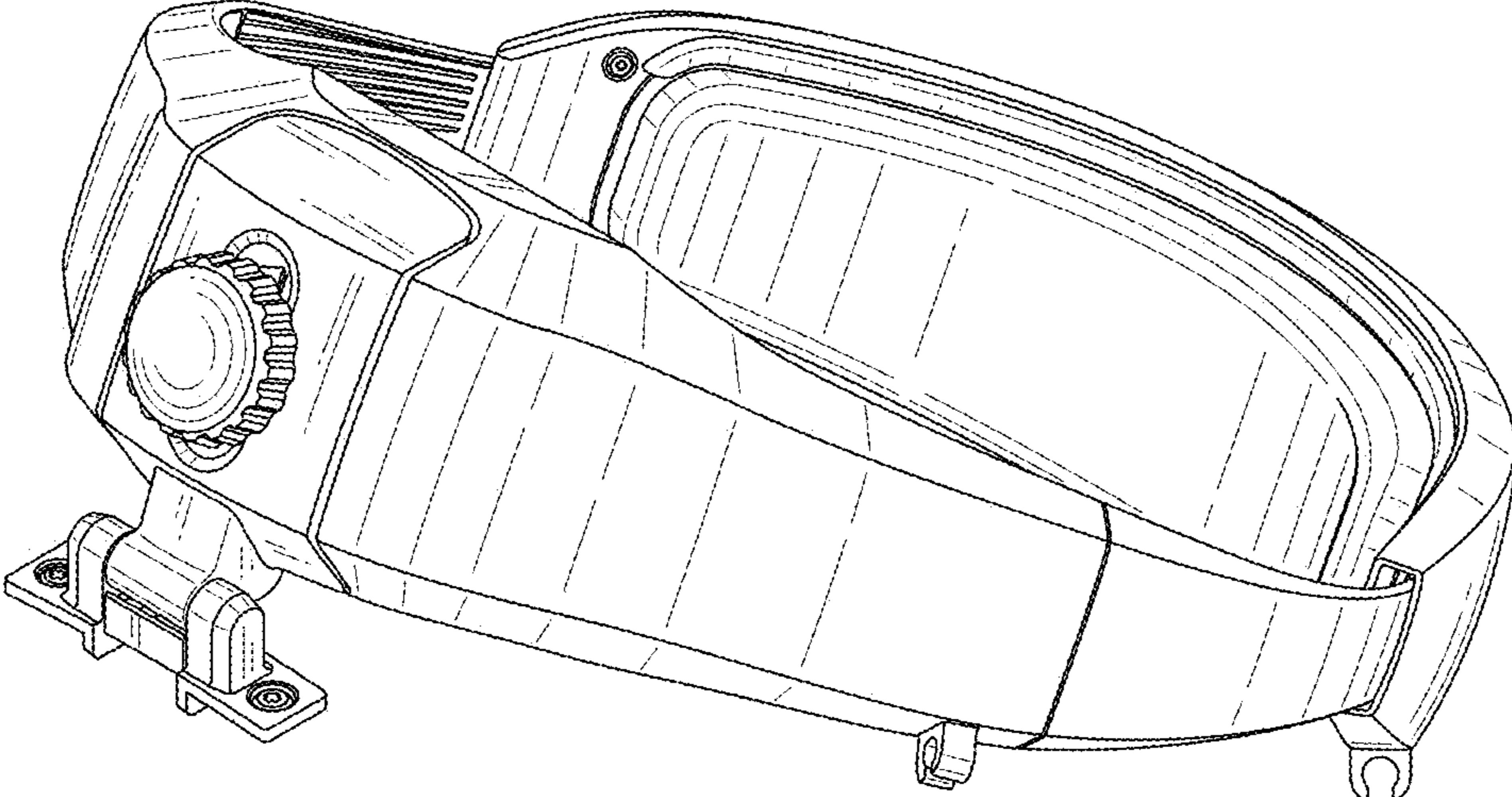


FIG. 7

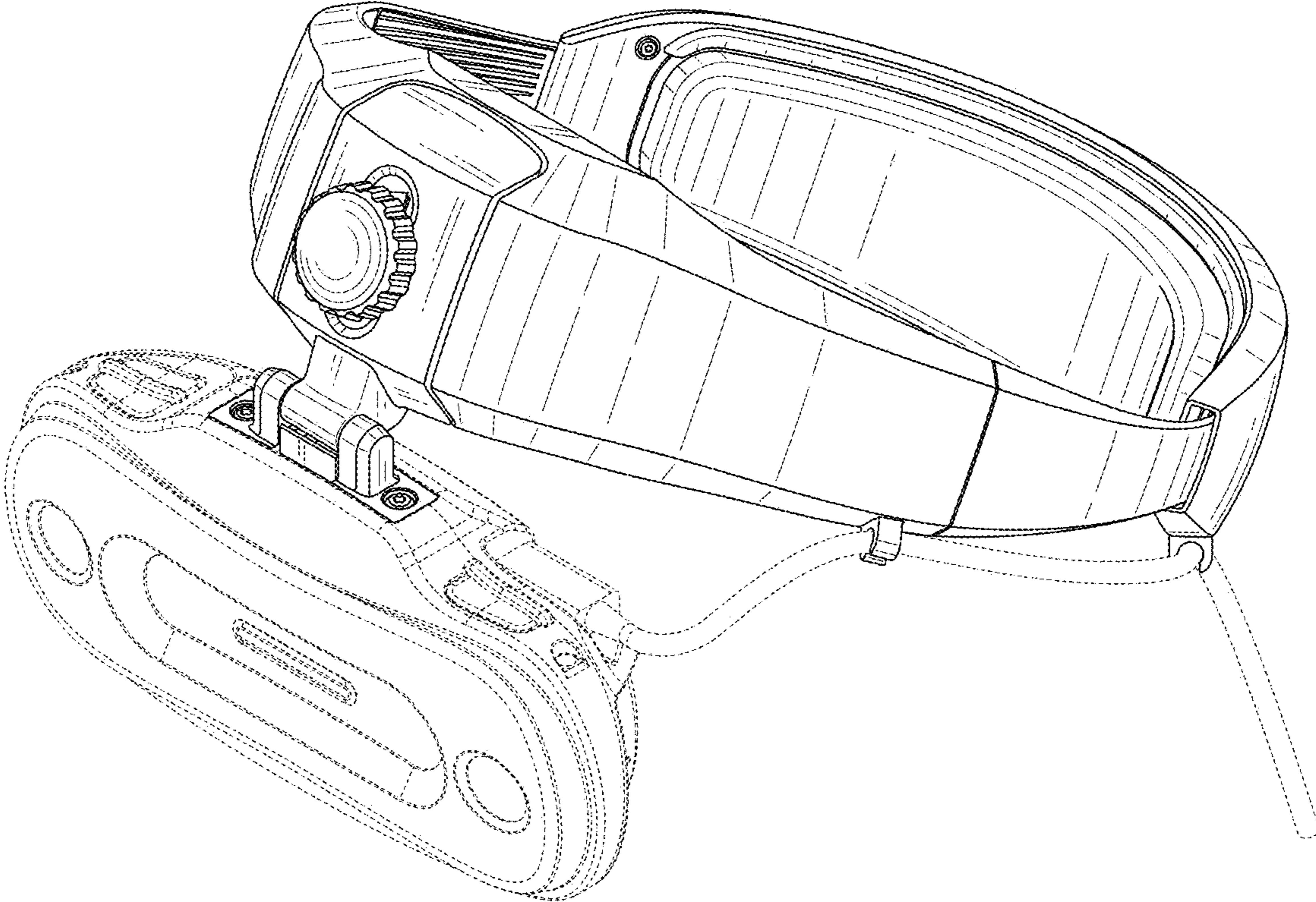


FIG. 8