



US00D949854S

(12) **United States Design Patent**
Jung et al.

(10) **Patent No.:** **US D949,854 S**
(45) **Date of Patent:** **** Apr. 26, 2022**

(54) **CUSTOMER PREMISE EQUIPMENT
DEVICE**

- (71) Applicant: **ARRIS Enterprises LLC**, Suwanee, GA (US)
- (72) Inventors: **Thomas A. Jung**, San Diego, CA (US); **Wayne Weeks**, Cardiff-by-the-Sea, CA (US)
- (73) Assignee: **ARRIS ENTERPRISES LLC**, Suwanee, GA (US)

(**) Term: **15 Years**

(21) Appl. No.: **29/675,940**

(22) Filed: **Jan. 7, 2019**

(51) **LOC (13) Cl.** **14-02**

(52) **U.S. Cl.**
USPC **D14/358**

(58) **Field of Classification Search**
USPC D23/201, 208, 355–369, 386; D14/155, D14/240, 242, 243, 355, 357, 358
CPC A61L 9/02; A61L 9/03; A61L 9/12; A61L 9/035; A61L 9/125
See application file for complete search history.

(56) **References Cited**

U.S. PATENT DOCUMENTS

- D253,549 S * 11/1979 Seager A61L 9/03 D23/366
- D273,225 S * 3/1984 Palson D23/366
- D285,961 S * 9/1986 Pennell D23/366
- D287,127 S * 12/1986 Yuen 379/443
- D309,497 S * 7/1990 Kearnes D23/366
- 5,126,078 A * 6/1992 Steiner A61L 9/122 261/26
- D357,977 S * 5/1995 Muderlak D23/366

(Continued)

OTHER PUBLICATIONS

Office Action dated Feb. 23, 2021 in Canadian Patent Application No. 188408.

Primary Examiner — Calvin E Vansant
(74) *Attorney, Agent, or Firm* — Wenderoth, Lind & Ponack, L.L.P.

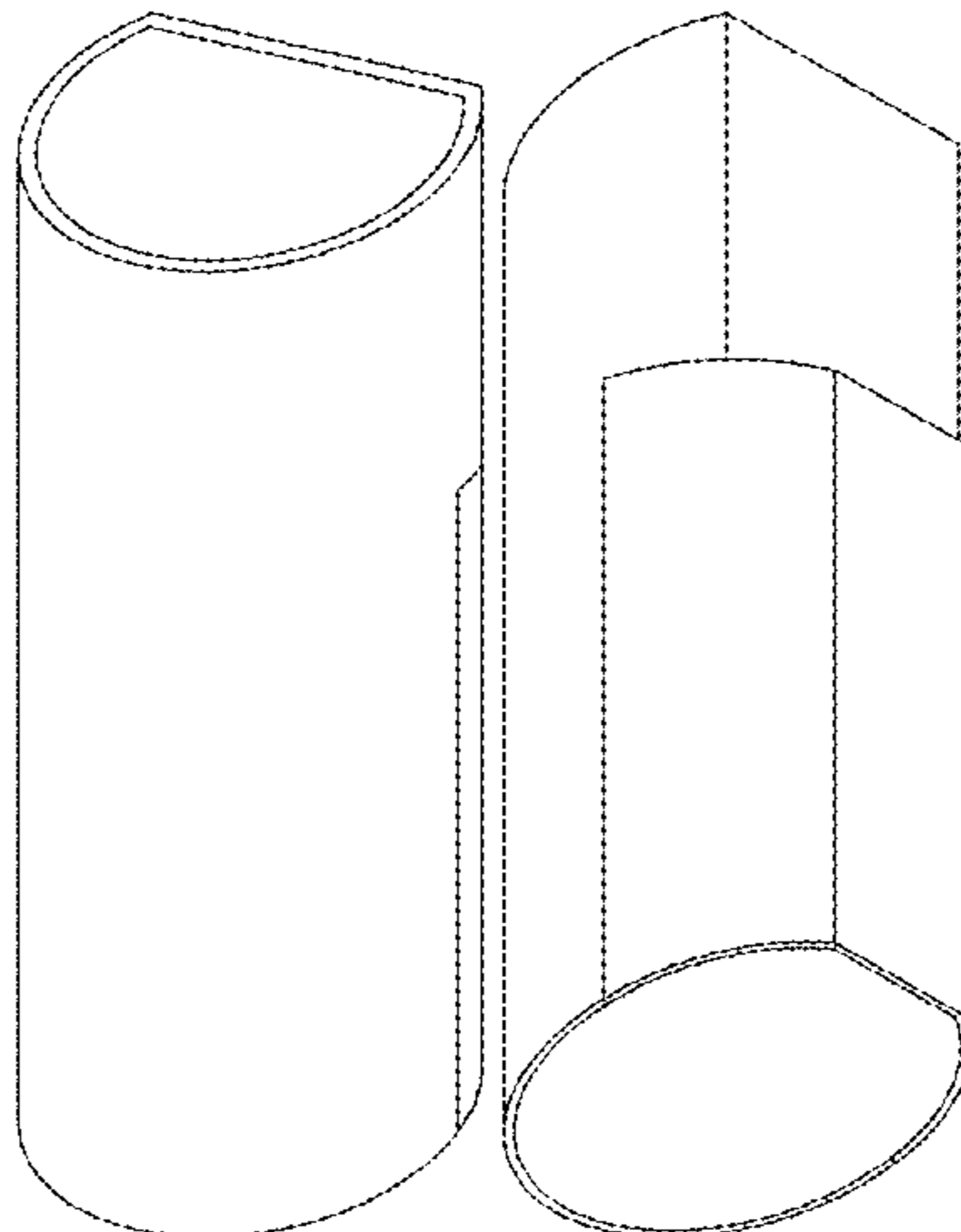
(57) **CLAIM**

The ornamental design for a customer premise equipment device, as shown and described.

DESCRIPTION

FIG. 1 is a front-right perspective view of a customer premise equipment device.
 FIG. 2 is a front-left perspective view of a customer premise equipment device.
 FIG. 3 is a rear-left perspective view of a customer premise equipment device.
 FIG. 4 is a rear-right perspective view of a customer premise equipment device.
 FIG. 5 is a bottom-front-right perspective view of a customer premise equipment device.
 FIG. 6 is a bottom-front-left perspective view of a customer premise equipment device.
 FIG. 7 is a bottom-rear-left perspective view of a customer premise equipment device.
 FIG. 8 is a bottom-rear-right perspective view of a customer premise equipment device.
 FIG. 9 is a front elevation view of a customer premise equipment device.
 FIG. 10 is a left-side elevation view of a customer premise equipment device.
 FIG. 11 is a right-side elevation view of a customer premise equipment device.
 FIG. 12 is a rear elevation view of a customer premise equipment device.
 FIG. 13 is a top view of a customer premise equipment device; and,
 FIG. 14 is a bottom view of a customer premise equipment device.

1 Claim, 14 Drawing Sheets



(56)

References Cited

U.S. PATENT DOCUMENTS

D366,520 S *	1/1996	Muderlak	D23/366
D573,706 S *	7/2008	Zlotnik	D23/366
D581,414 S *	11/2008	Tellier	D14/358
D609,318 S *	2/2010	Lam	D23/356
D634,416 S *	3/2011	Abbondanzio	D23/366
D634,417 S *	3/2011	Abbondanzio	D23/366
D658,072 S *	4/2012	Davis	D9/689
D692,548 S *	10/2013	Wirz	D23/366
D707,339 S *	6/2014	Garbusi	D23/366
D716,432 S *	10/2014	Viala	A61L 9/03 D23/366
D780,728 S *	3/2017	Shin	D14/242
D798,429 S *	9/2017	Yamazaki	D23/360
D841,632 S *	2/2019	Eun	D14/242
D844,126 S *	3/2019	Sheng	D23/359
D865,148 S *	10/2019	Yoon	D23/364

* cited by examiner

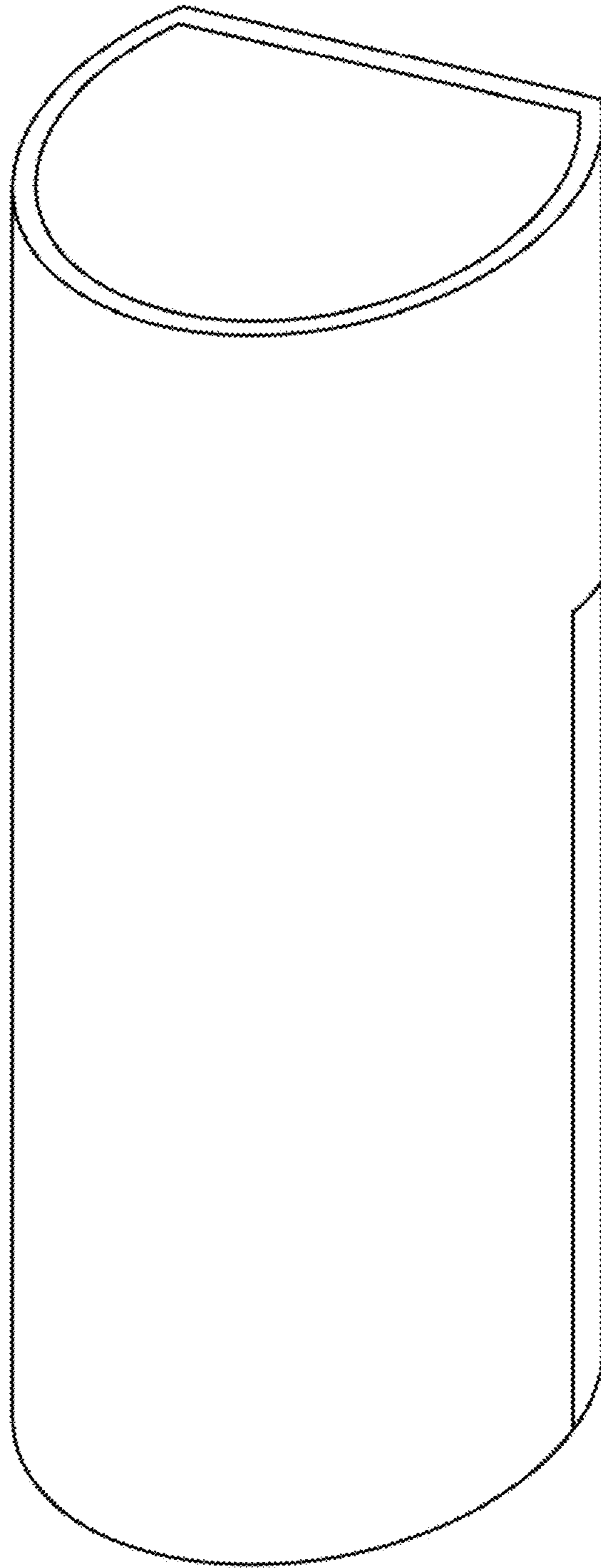


FIG. 1

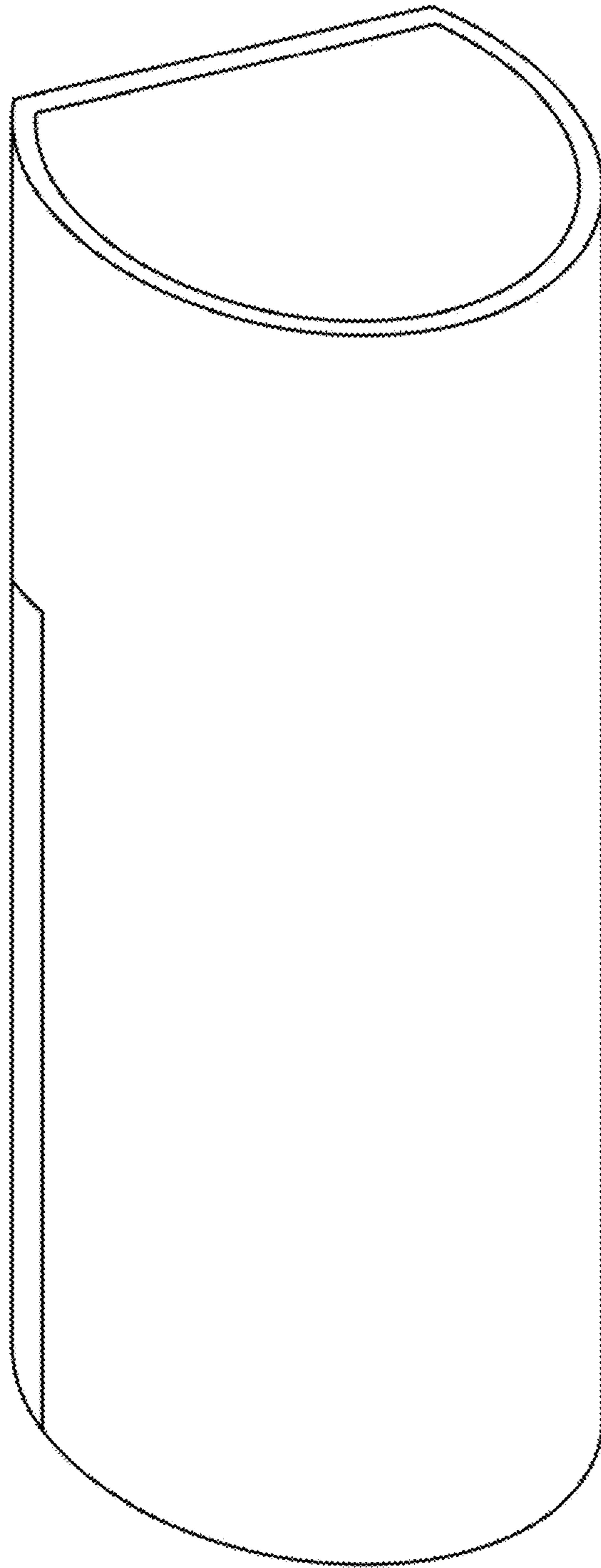


FIG. 2

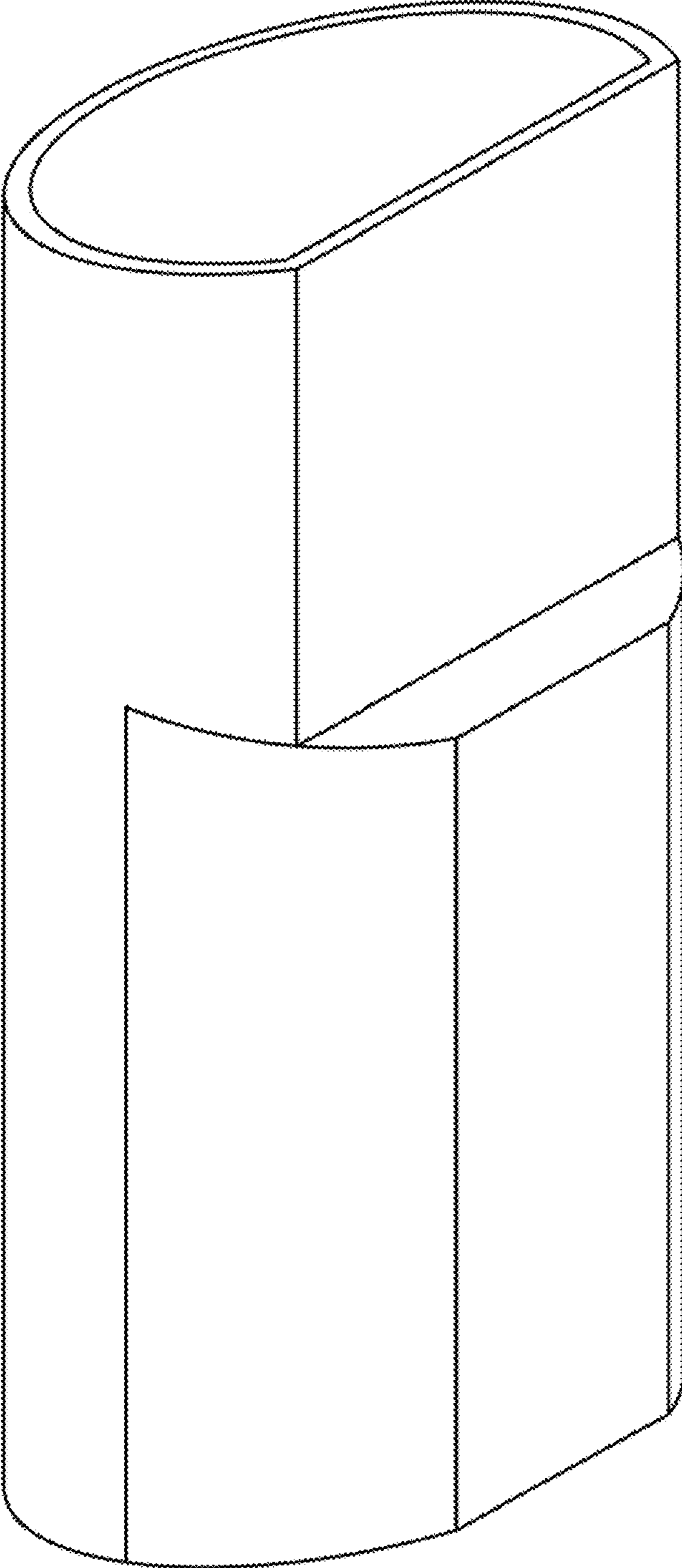


FIG. 3

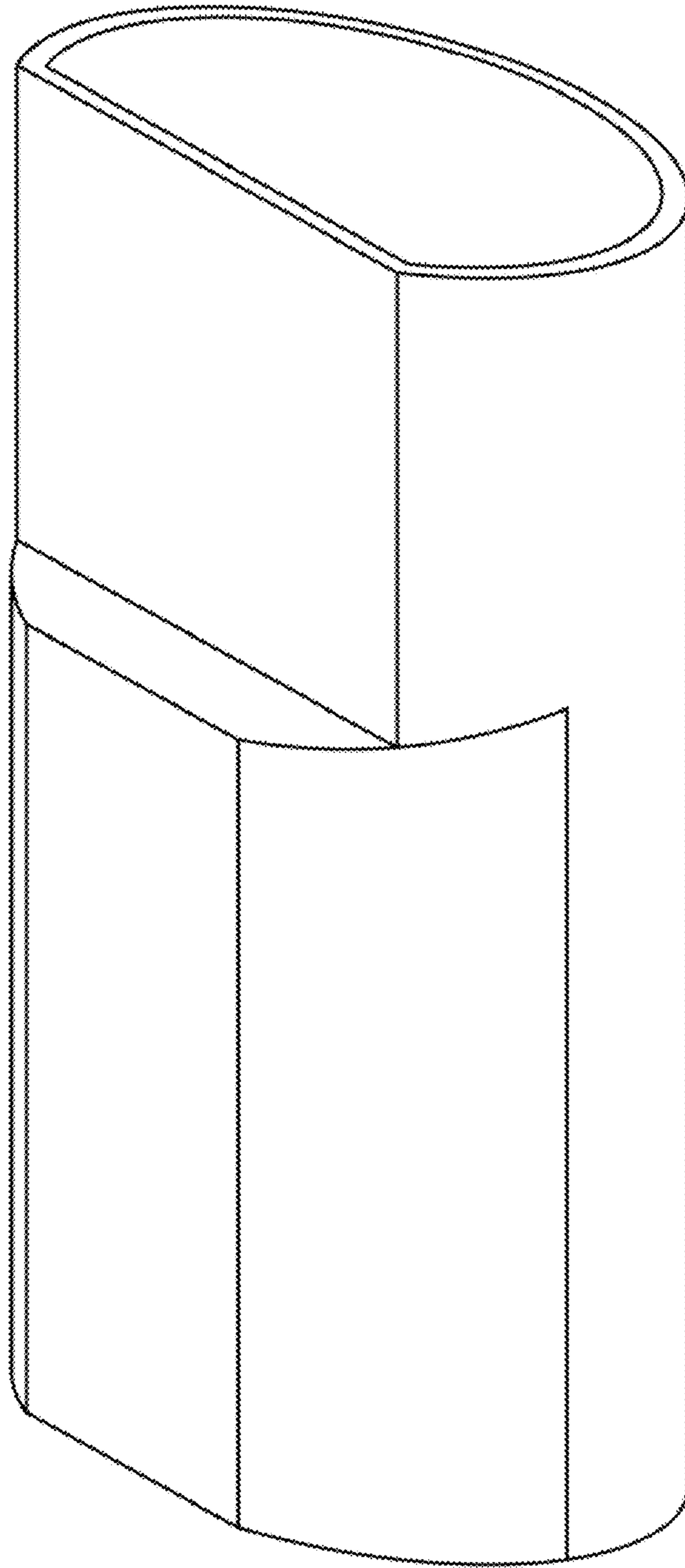


FIG. 4

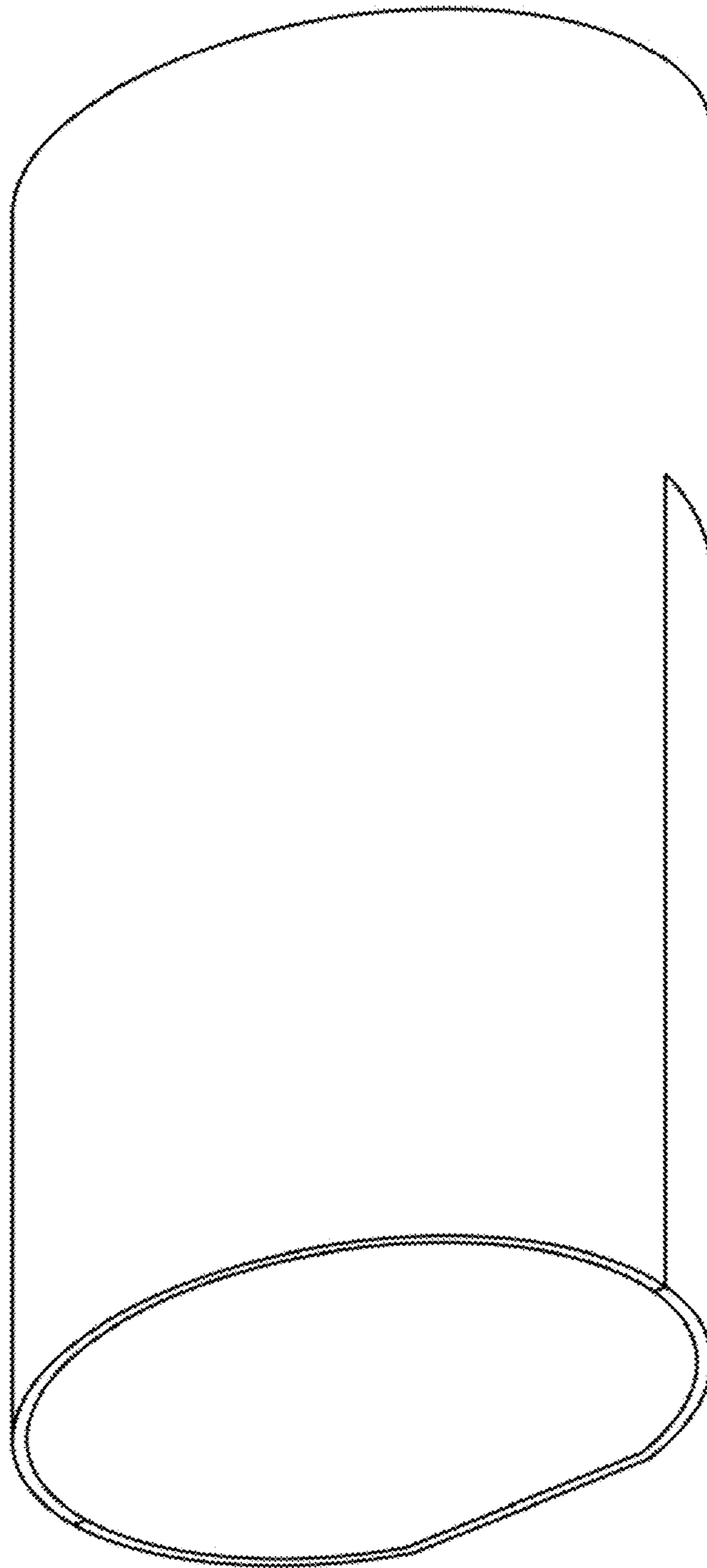


FIG. 5

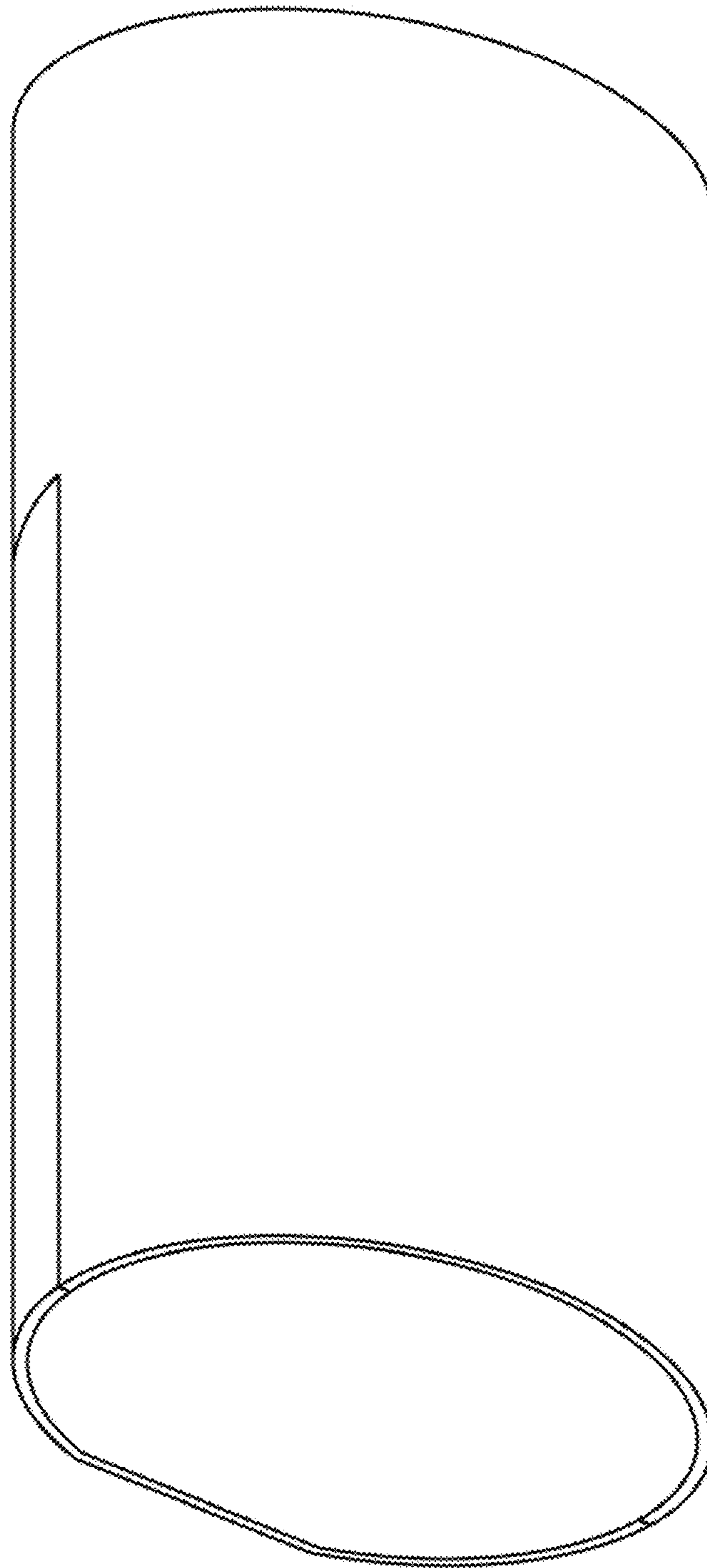


FIG. 6

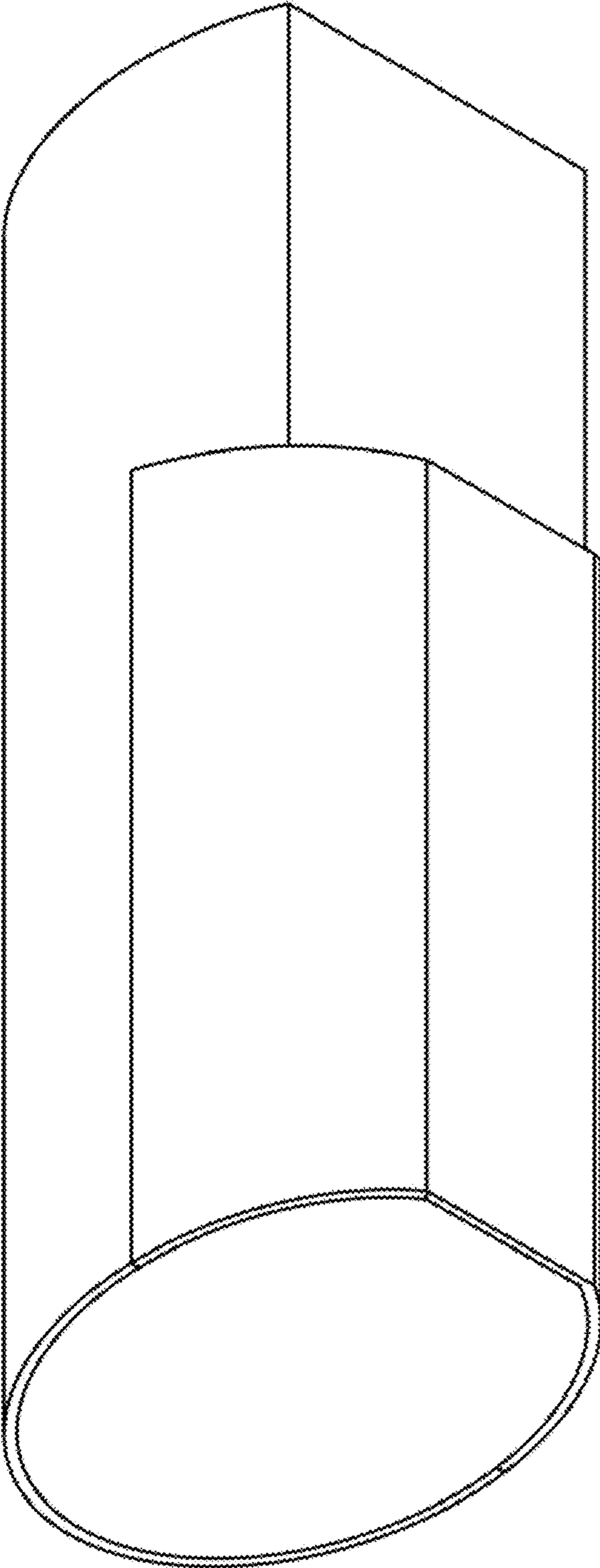


FIG. 7

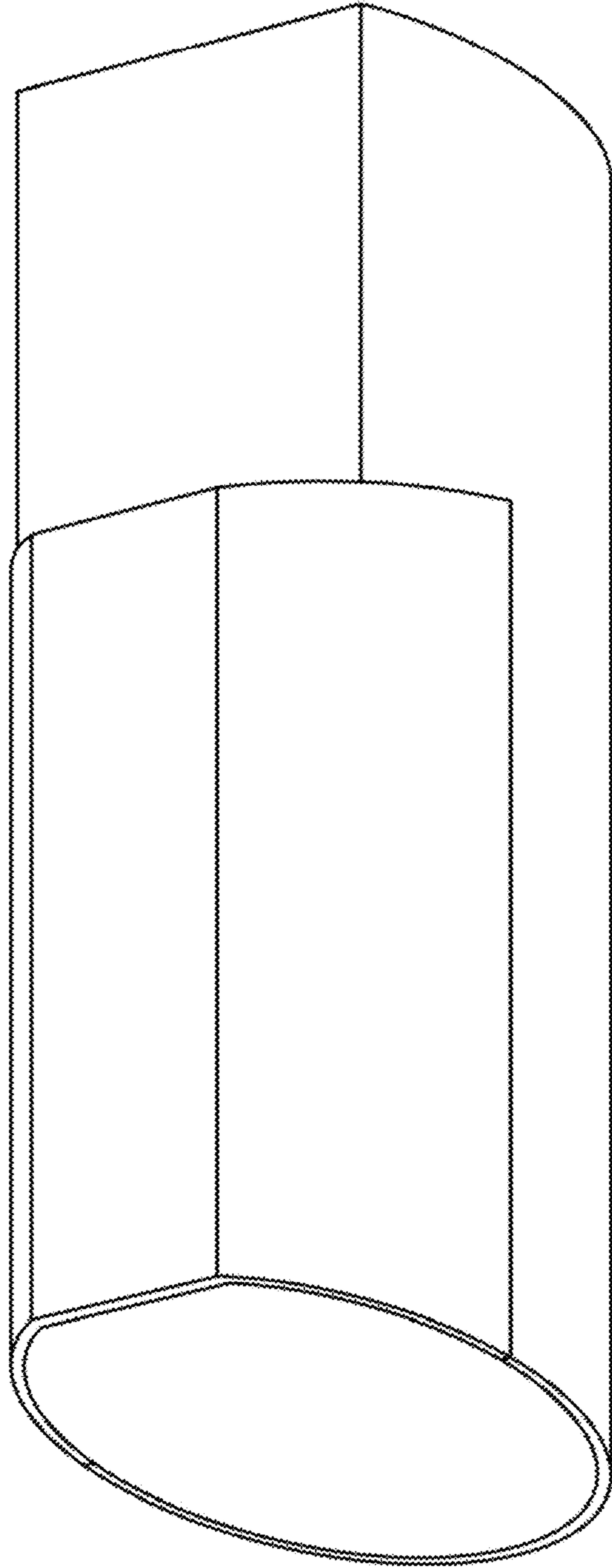


FIG. 8

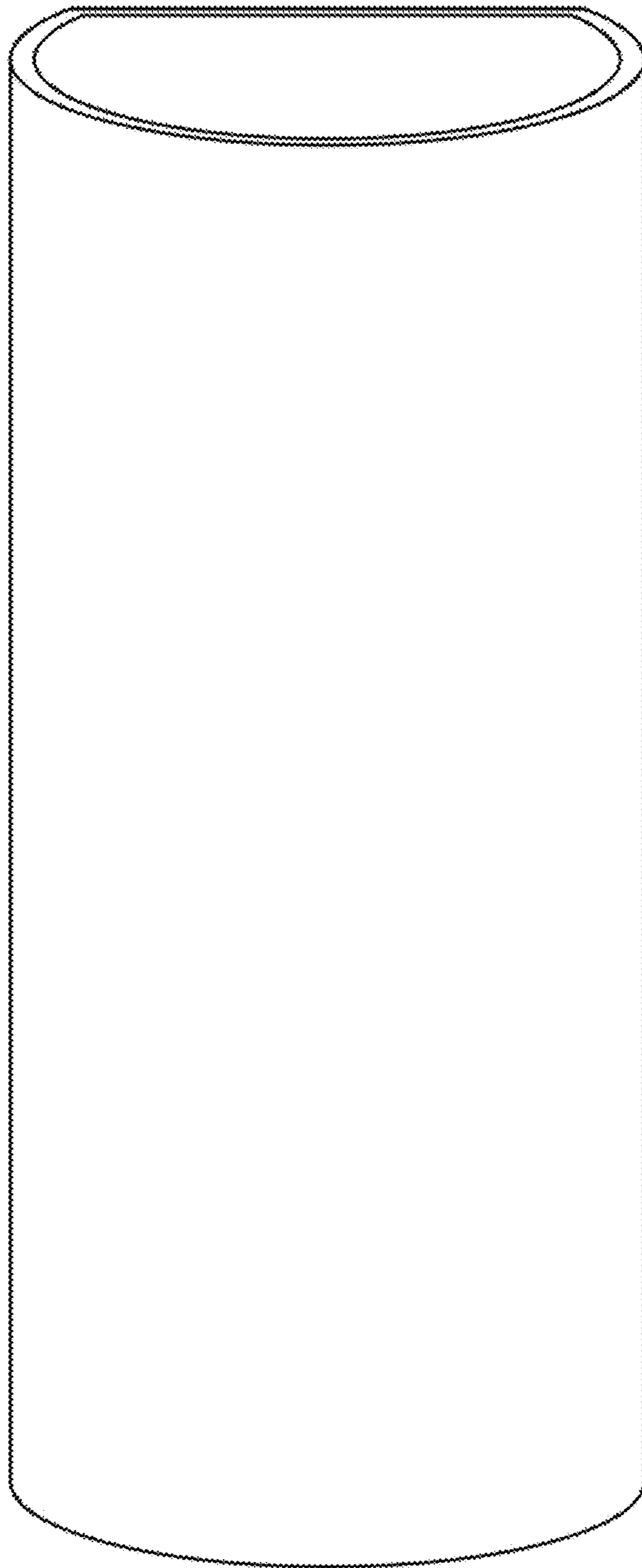


FIG. 9

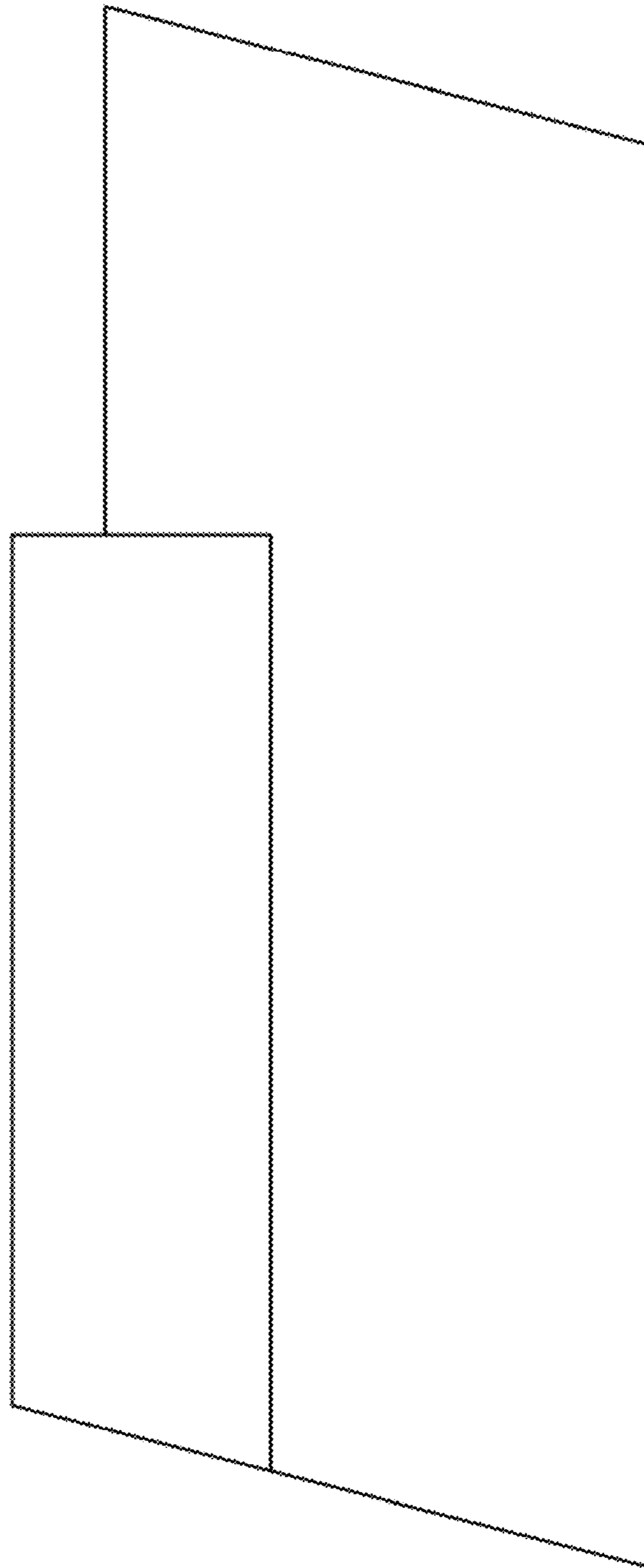


FIG. 10

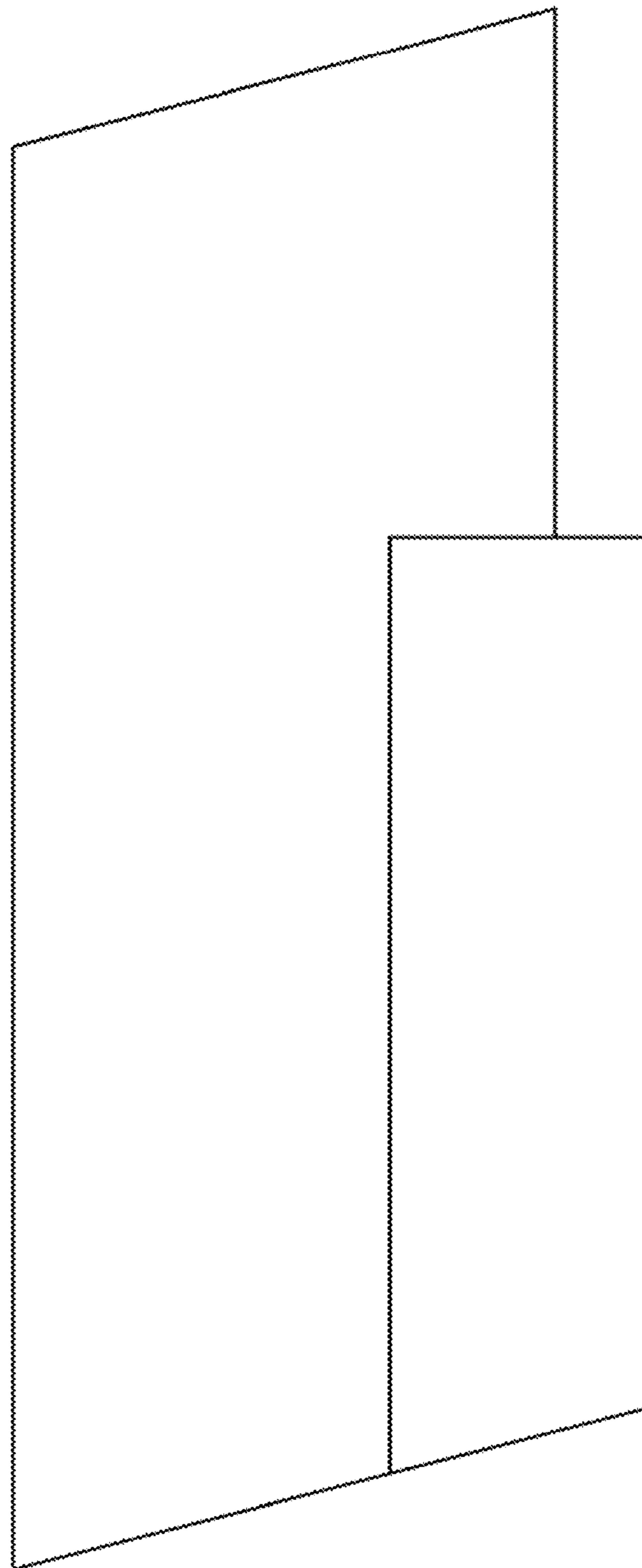


FIG. 11

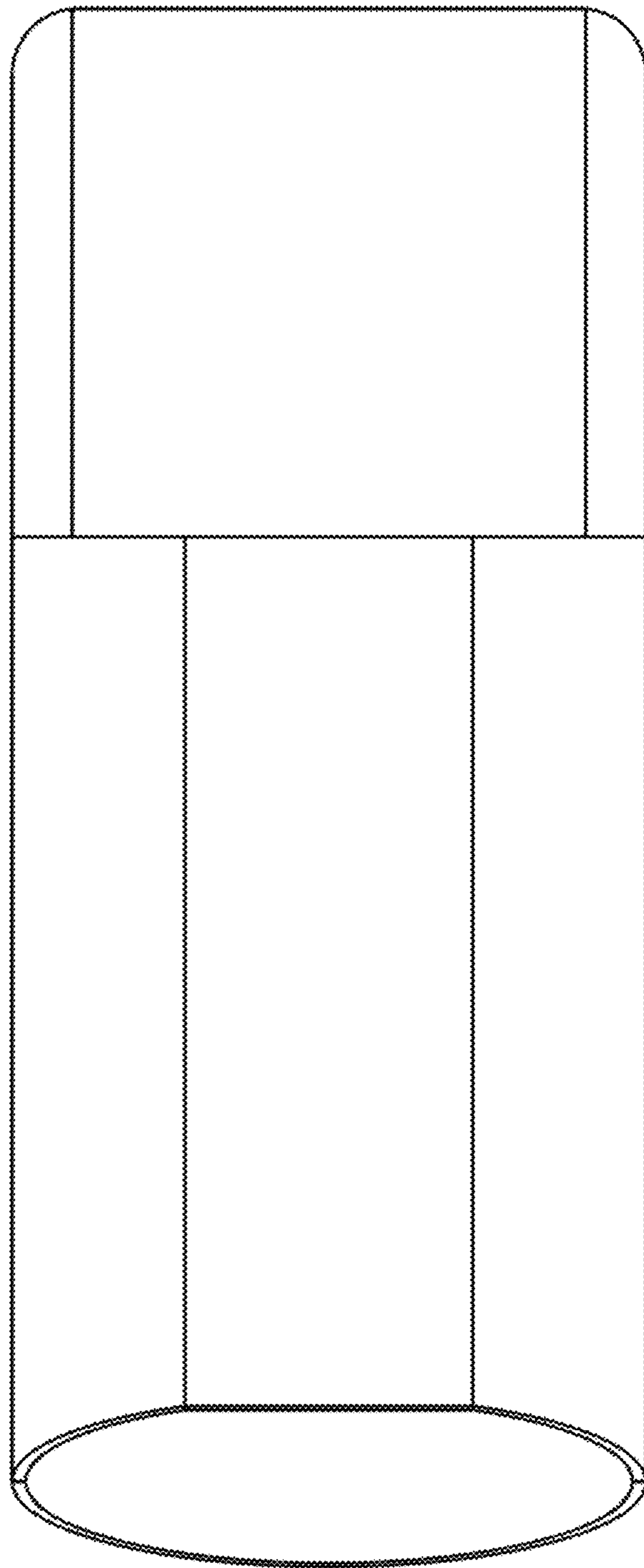


FIG. 12

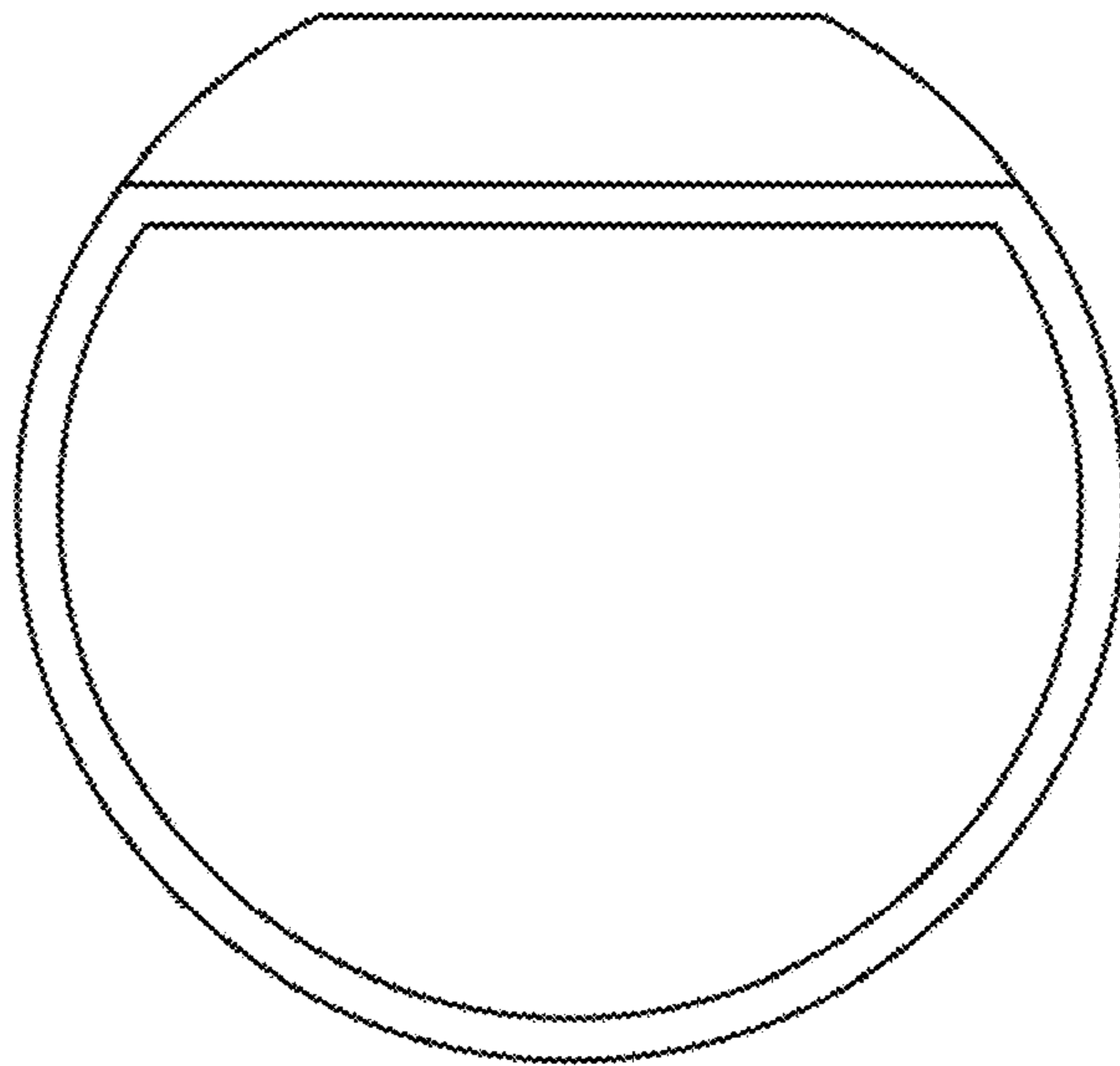


FIG. 13

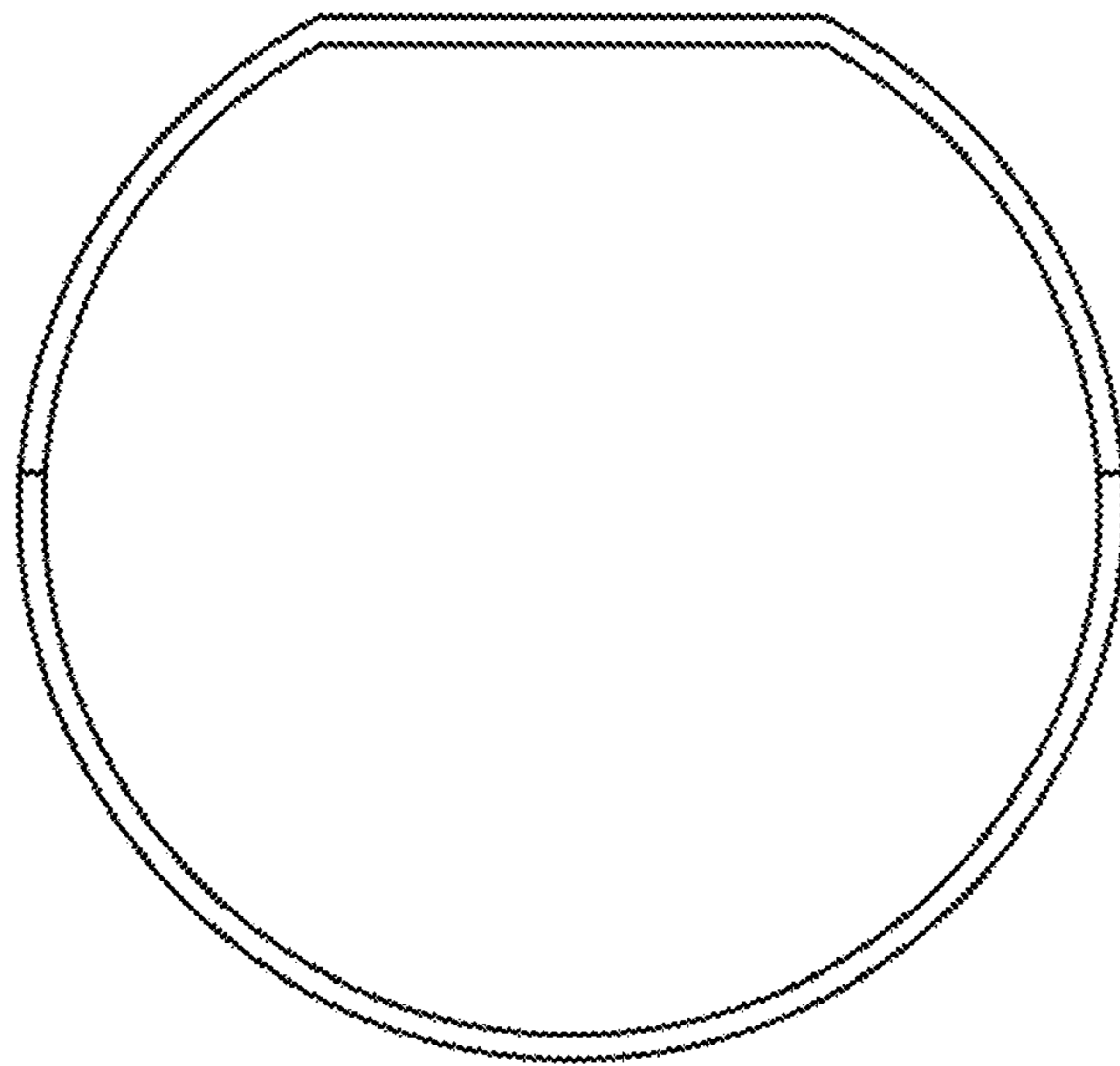


FIG. 14