



US00D949849S

(12) **United States Design Patent** (10) **Patent No.:** **US D949,849 S**
Newman (45) **Date of Patent:** **** Apr. 26, 2022**

(54) **ANTENNA MOUNT**

(71) Applicant: **Gerald W. Newman**, Spangle, WA (US)

(72) Inventor: **Gerald W. Newman**, Spangle, WA (US)

(**) Term: **15 Years**

(21) Appl. No.: **29/748,684**

(22) Filed: **Aug. 31, 2020**

(51) **LOC (13) Cl.** **08-08**

(52) **U.S. Cl.**
USPC **D14/349**; D14/238

(58) **Field of Classification Search**
USPC D6/329, 334, 349, 466, 352, 363, 364,
D6/366, 682; D7/558, 560; D8/349,
D8/354, 380-382; D10/21, 26; D14/224,
D14/211, 230-238, 299; D16/242-245
CPC H01Q 1/1207; H01Q 1/1242; H01Q 1/12;
F16M 2200/00; F16M 11/04; F16M
13/02
See application file for complete search history.

(56) **References Cited**

U.S. PATENT DOCUMENTS

| | | | | |
|-------------------|---------|----------|-------|-------------|
| D282,320 S * | 1/1986 | Anderson | | D16/244 |
| D290,886 S * | 7/1987 | Meoli | | D26/138 |
| 7,370,908 B2 * | 5/2008 | Crowell | | A47C 4/02 |
| | | | | 108/118 |
| D695,031 S * | 12/2013 | Jehs | | D6/349 |
| D727,642 S * | 4/2015 | Mark | | D6/349 |
| D801,416 S * | 10/2017 | Vance | | D16/244 |
| D900,067 S * | 10/2020 | Entelis | | D14/224 |
| D923,379 S * | 6/2021 | Gfesser | | D6/708 |
| 2021/0257709 A1 * | 8/2021 | Ruiz | | H01Q 1/1207 |

OTHER PUBLICATIONS

Office Action for U.S. Appl. No. 29/748,676, dated Oct. 27, 2021, Newman, "Antenna Mount", 5 Pages.
Office Action for U.S. Appl. No. 29/748,687, dated Oct. 27, 2021, Newman, Antenna Mount, 6 Pages.

* cited by examiner

Primary Examiner — Khawaja Anwar
Assistant Examiner — Megan Tiana Rakos
(74) *Attorney, Agent, or Firm* — Lee & Hayes, P.C.

(57) **CLAIM**

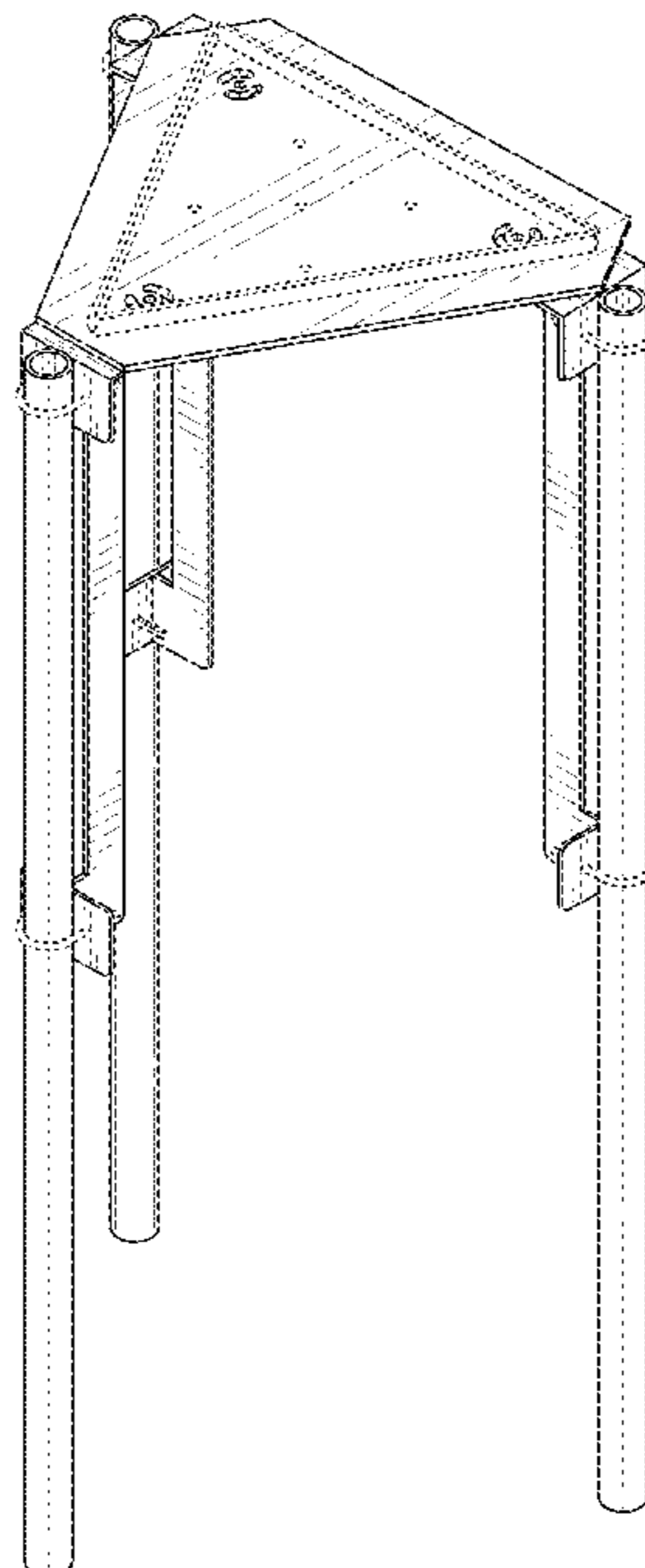
The ornamental design for an antenna mount, as shown and described.

DESCRIPTION

FIG. 1 is a front, top perspective view of an antenna mount; FIG. 2 is a back, bottom perspective view thereof; FIG. 3 is a front view thereof; FIG. 4 is a back view thereof; FIG. 5 is a left-side view thereof; FIG. 6 is a right-side view thereof; FIG. 7 is a top view thereof; FIG. 8 is a bottom view thereof; and, FIG. 9 is a front, top perspective view showing unclaimed environment of the antenna mount according to the claimed design.

The dashed lines depict portions of the antenna mount that form no part of the claimed design, and/or show environment of the antenna mount that form no part of the claimed design.

1 Claim, 9 Drawing Sheets



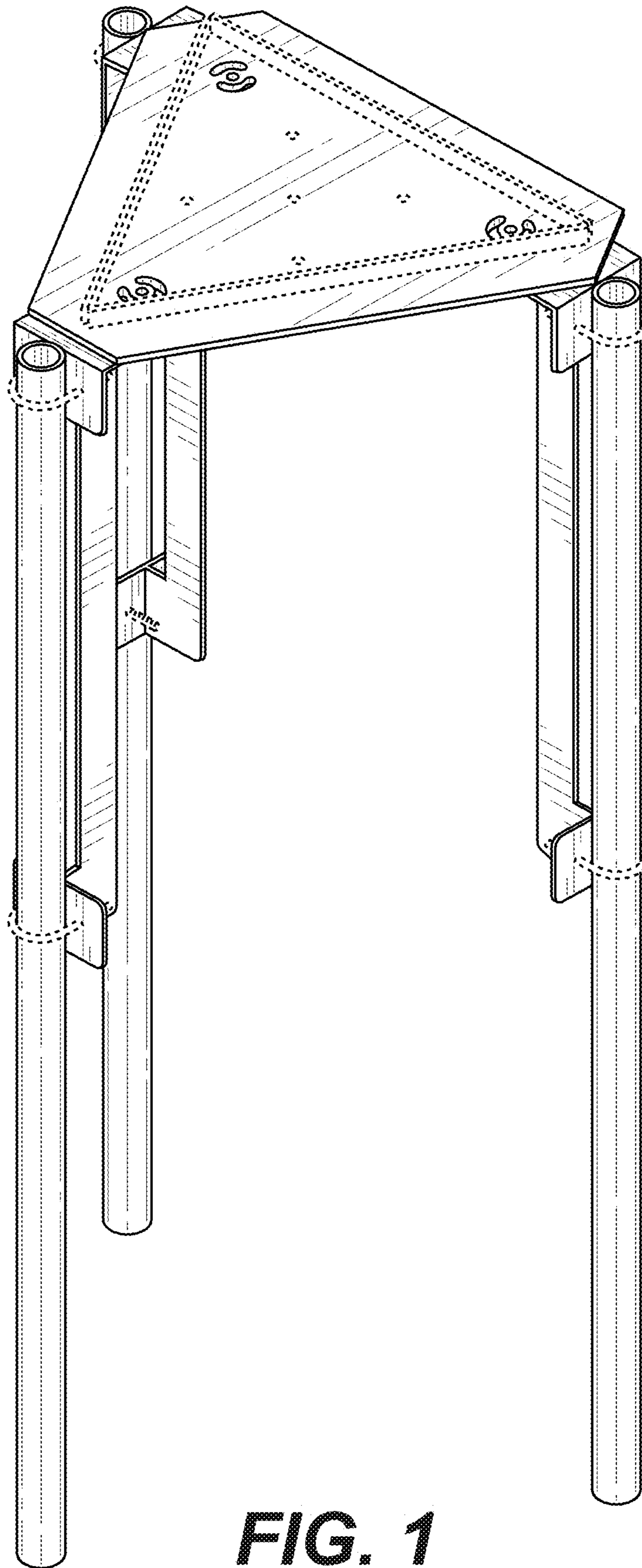


FIG. 1

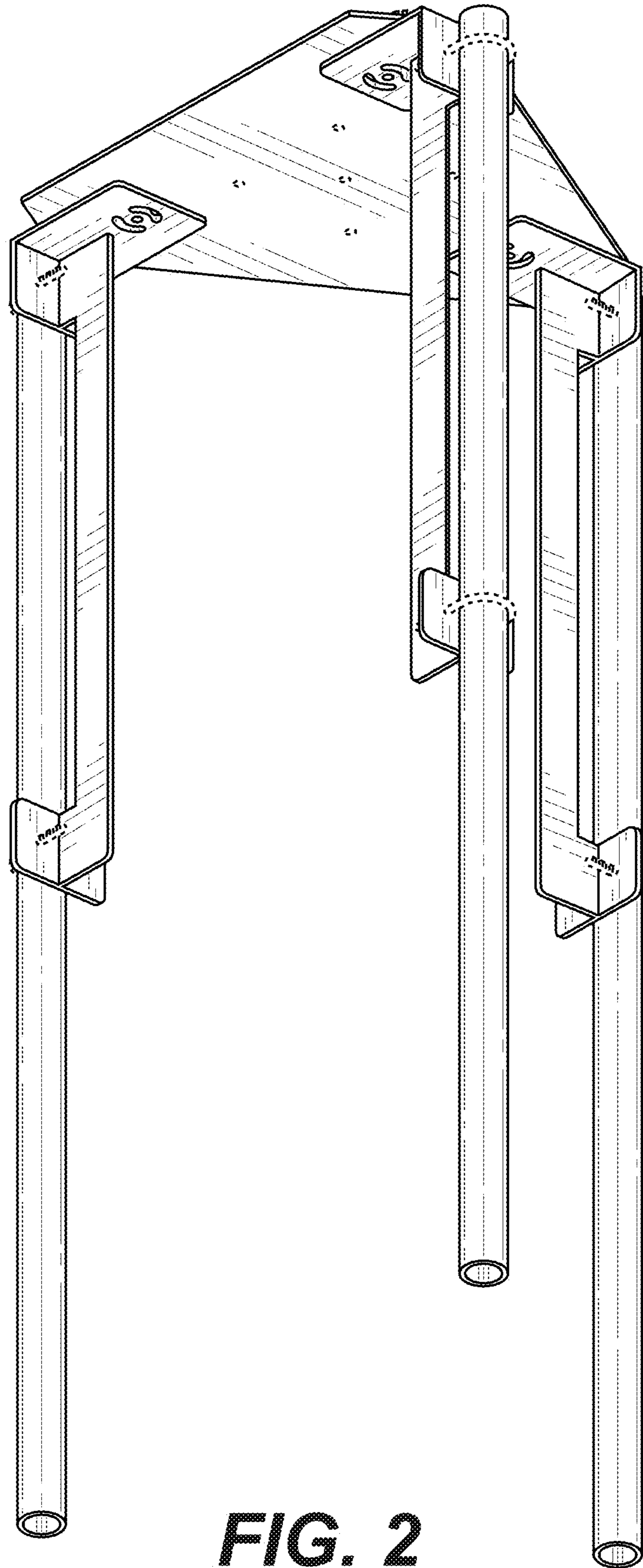


FIG. 2

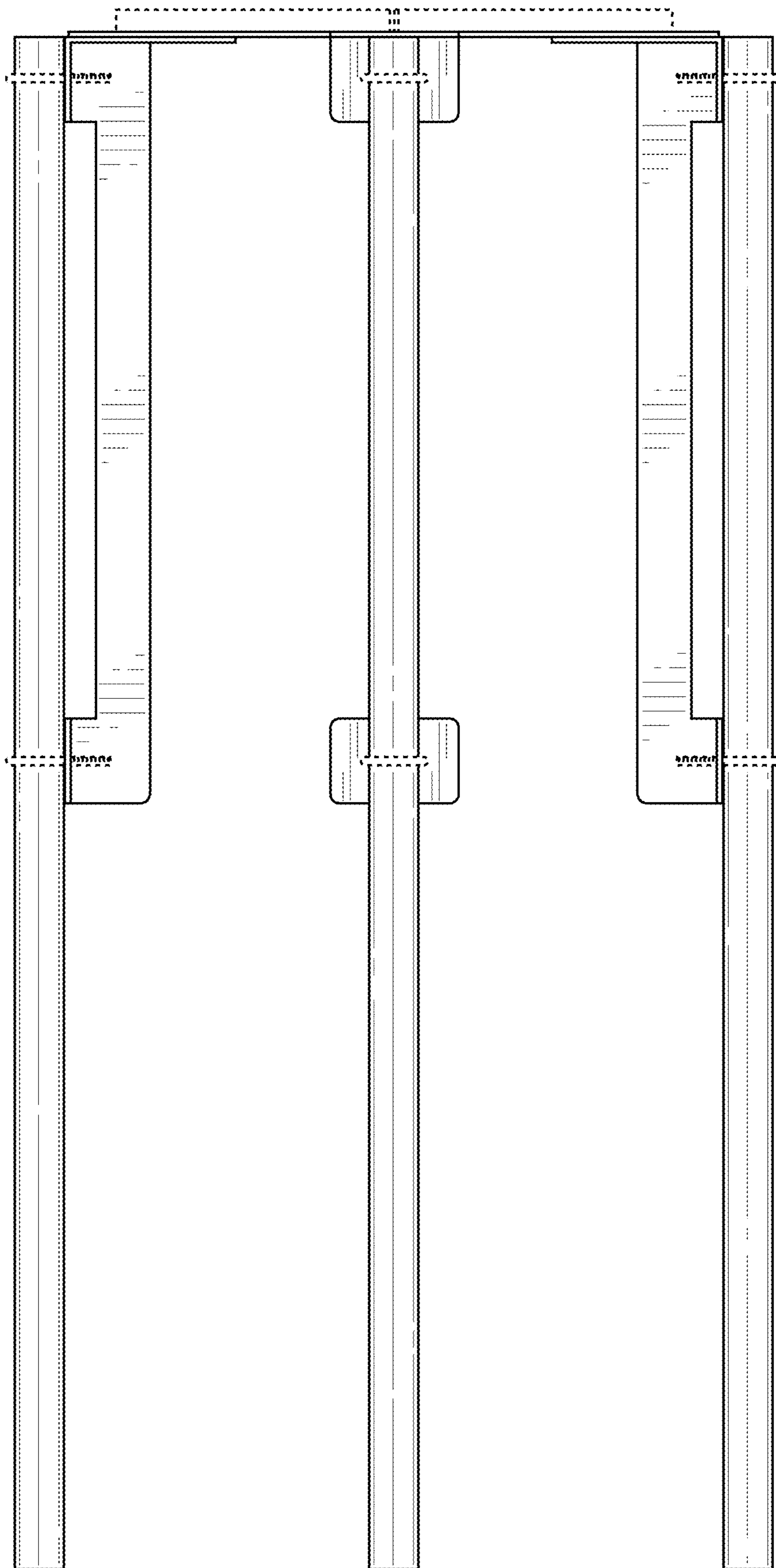


FIG. 3

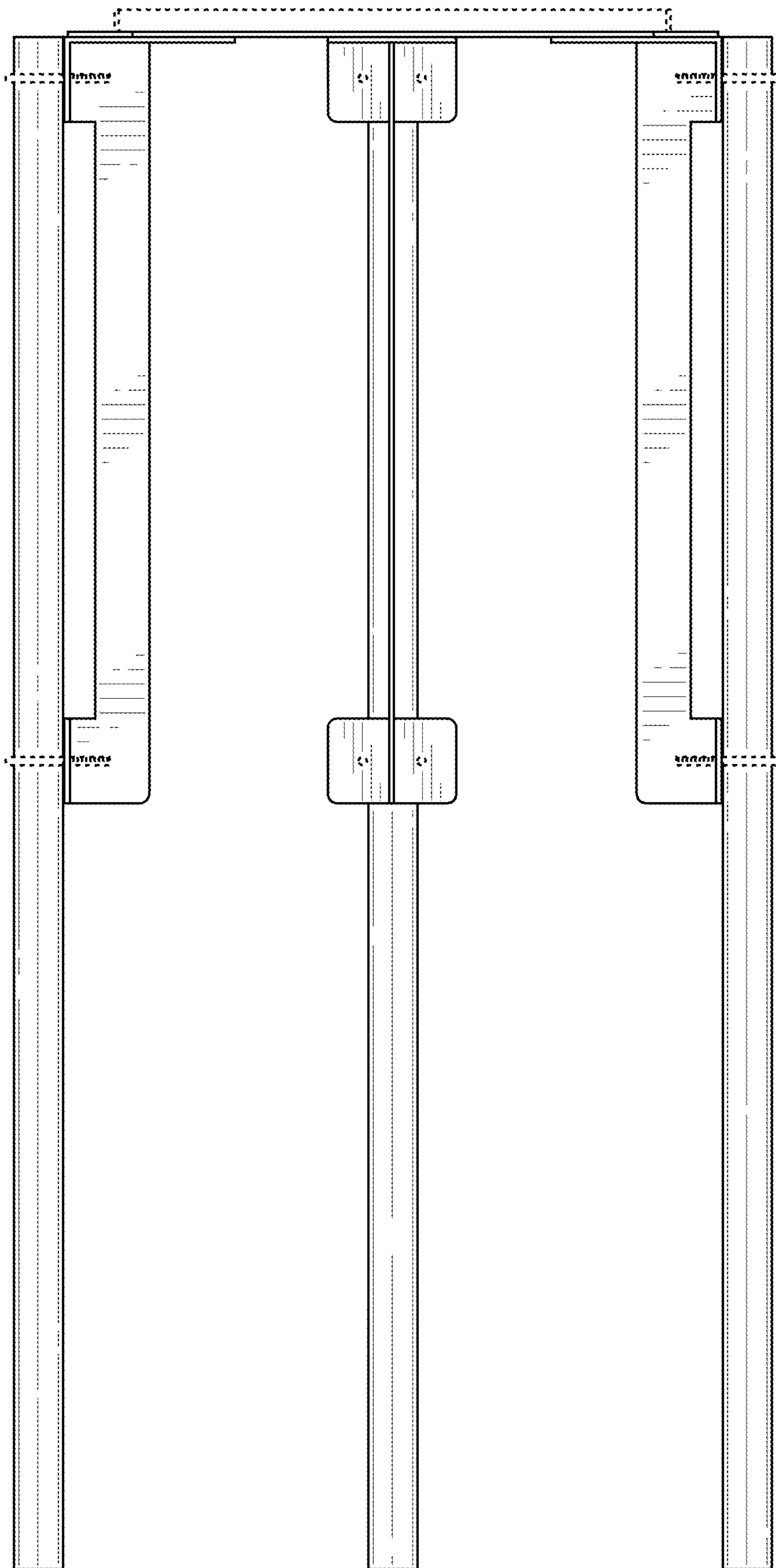


FIG. 4

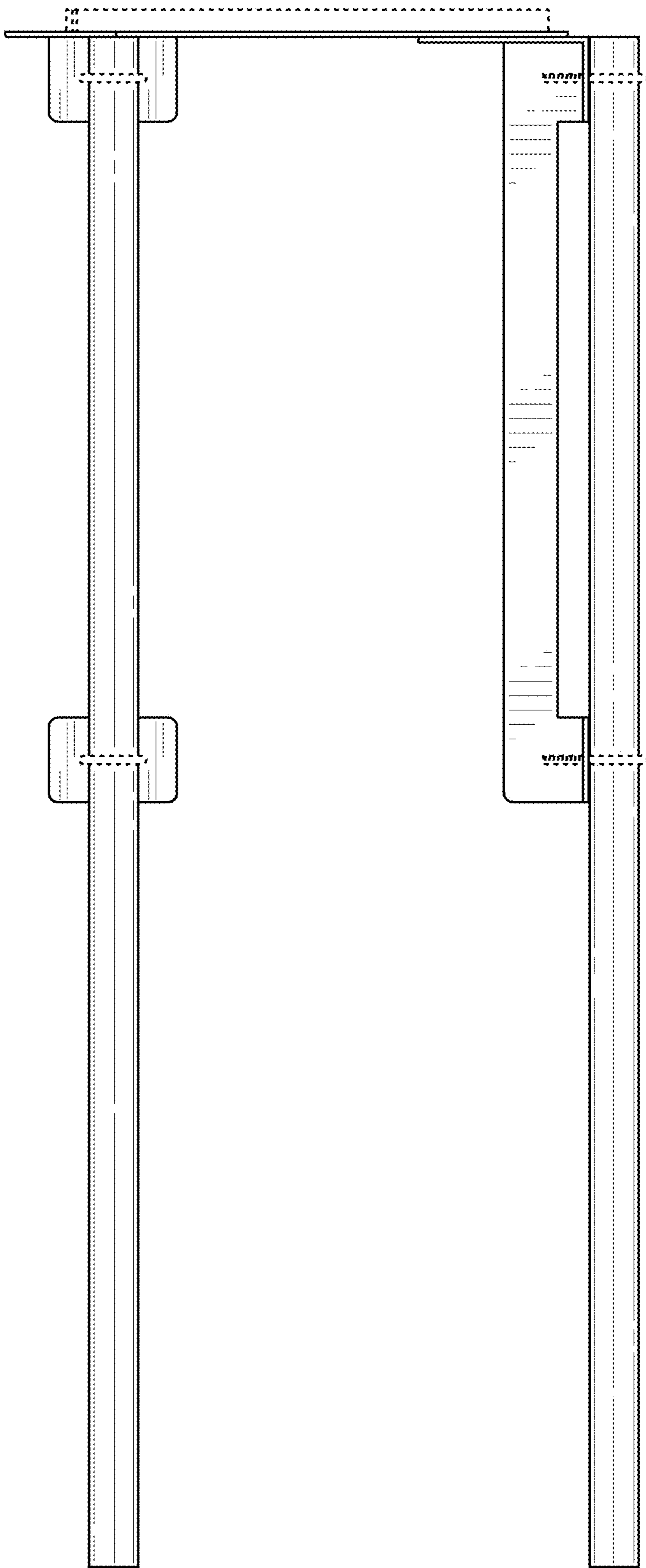


FIG. 5

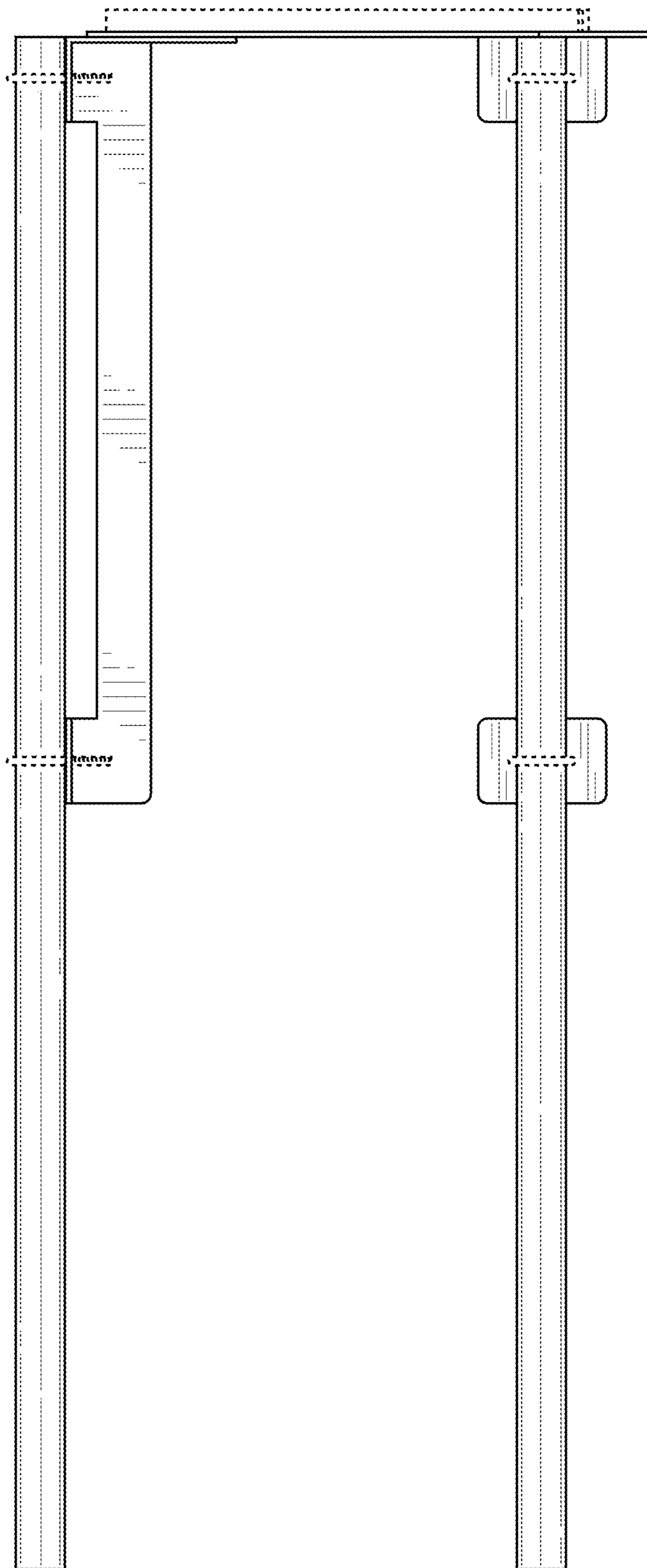


FIG. 6

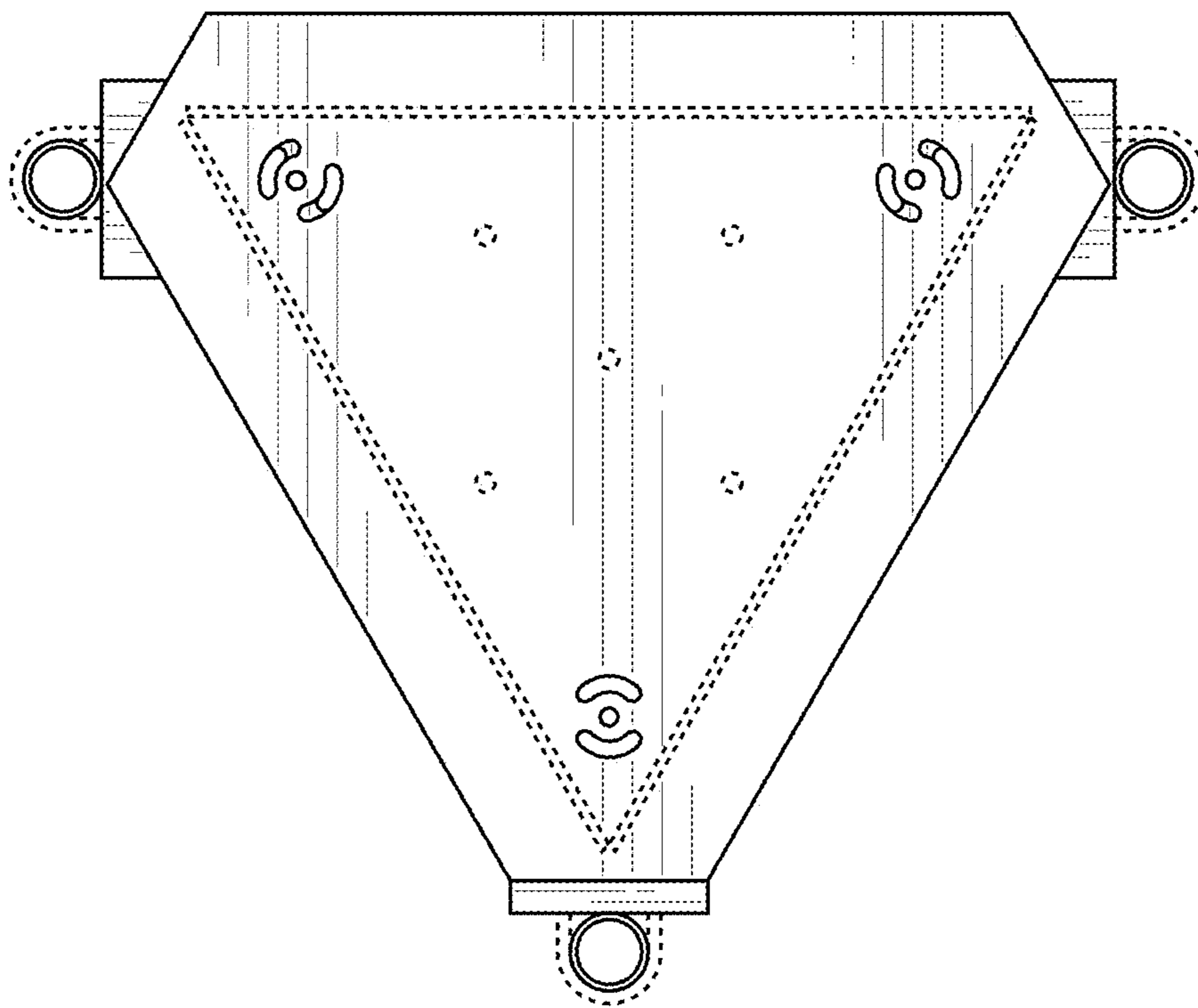


FIG. 7

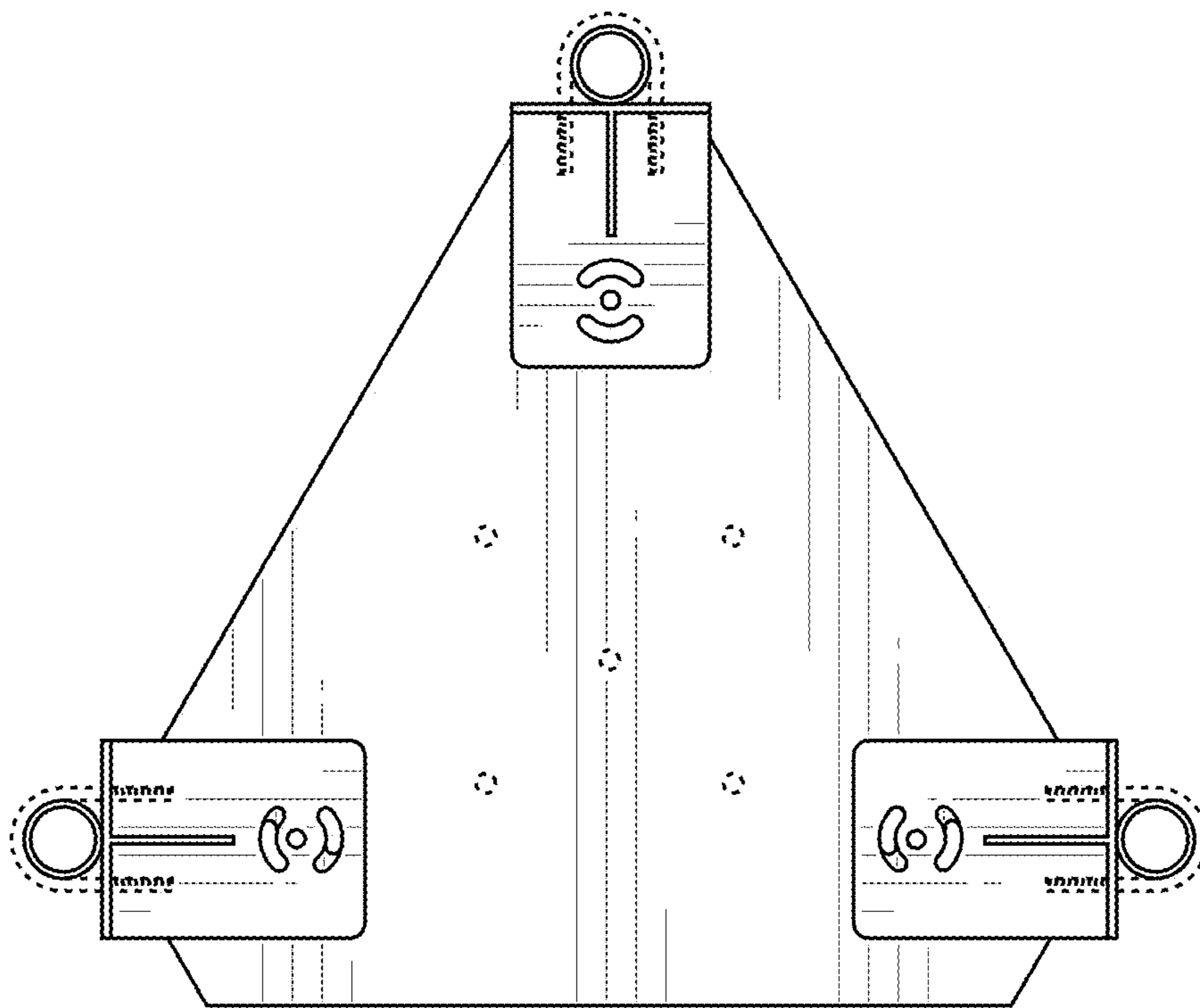


FIG. 8

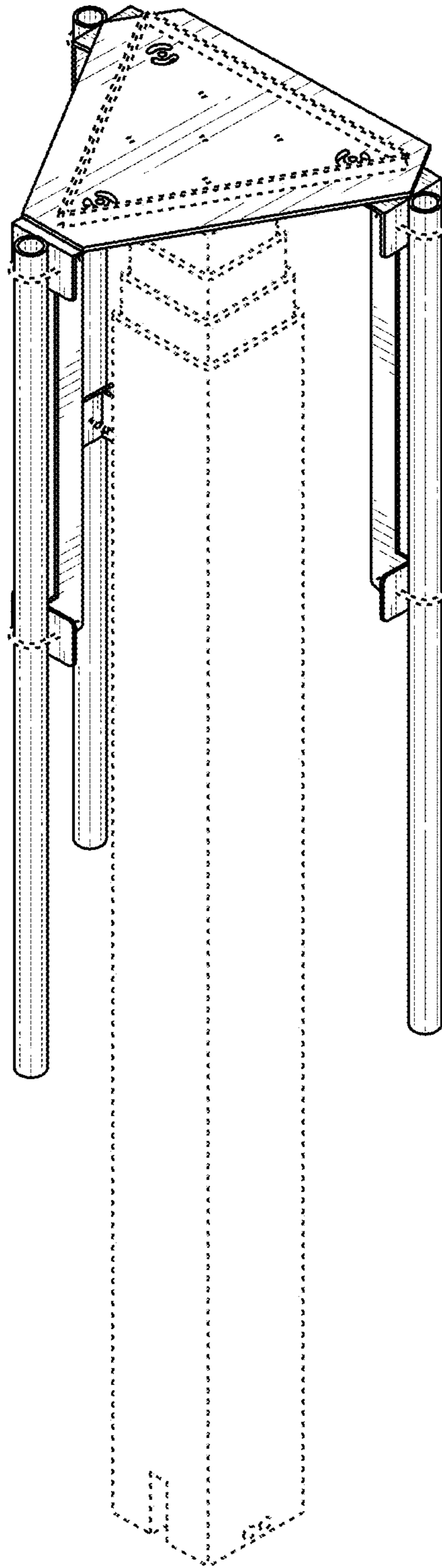


FIG. 9