



US00D949844S

(12) **United States Design Patent**
Kao et al.

(10) **Patent No.:** **US D949,844 S**
(45) **Date of Patent:** **** Apr. 26, 2022**

(54) **NOTEBOOK COMPUTER WITH SLIDABLE AND ROTATABLE DISPLAY**

(71) Applicants: **Hsing-Yi Kao**, Taipei (TW);
Ming-Chung Liu, Taipei (TW);
Tung-Ying Wu, Taipei (TW);
Kuan-Chang Lee, Taipei (TW)

(72) Inventors: **Hsing-Yi Kao**, Taipei (TW);
Ming-Chung Liu, Taipei (TW);
Tung-Ying Wu, Taipei (TW);
Kuan-Chang Lee, Taipei (TW)

(73) Assignee: **COMPAL ELECTRONICS, INC.**,
Taipei (TW)

(**) Term: **15 Years**

(21) Appl. No.: **29/649,715**

(22) Filed: **Jun. 1, 2018**

(51) **LOC (13) Cl.** **14-02**

(52) **U.S. Cl.**
USPC **D14/315**

(58) **Field of Classification Search**
USPC D14/138 AA, 138 AB, 138 AC, 138 AD,
D14/138 C, 138 G, 248, 315-318,
(Continued)

(56) **References Cited**

U.S. PATENT DOCUMENTS

8,230,992 B2 * 7/2012 Law G06F 1/1626
206/320
D678,272 S * 3/2013 Groene D14/345
(Continued)

FOREIGN PATENT DOCUMENTS

CN 305391552 * 10/2019
CN 305581121 * 1/2020
(Continued)

OTHER PUBLICATIONS

Microsoft Surface Pro 6, date first available: Oct. 2, 2018, [retrieved Sep. 8, 2021], Retrieved from Internet, URL: <<https://www.amazon.com/Microsoft-Surface-Intel-Core-128GB/dp/B07HZPCWD8>> (Year: 2018).*

(Continued)

Primary Examiner — Barbara Fox

Assistant Examiner — Aram Kwon

(74) *Attorney, Agent, or Firm* — JCIPRNET

(57) **CLAIM**

The ornamental design for a notebook computer with slidable and rotatable display, as shown and described.

DESCRIPTION

FIG. 1 is a perspective view of a notebook computer with slidable and rotatable display showing our new design; FIG. 2 is another perspective view thereof; FIG. 3 is a front view thereof; FIG. 4 is a rear view thereof; FIG. 5 is a left side view thereof; FIG. 6 is a right side view thereof; FIG. 7 is a top view thereof; FIG. 8 is a bottom view thereof; FIG. 9 is a perspective view of the notebook computer shown in an alternate configuration with the display slid upward; FIG. 10 is another perspective view thereof; FIG. 11 is a front view thereof; FIG. 12 is a rear view thereof; FIG. 13 is a left side view thereof; FIG. 14 is a right side view thereof; FIG. 15 is a top view thereof; FIG. 16 is a bottom view thereof; FIG. 17 is a perspective view of the notebook computer shown in another alternate configuration with the display slid upward; FIG. 18 is another perspective view thereof; FIG. 19 is a front view thereof; FIG. 20 is a rear view thereof; FIG. 21 is a left side view thereof; FIG. 22 is a right side view thereof; FIG. 23 is a top view thereof; FIG. 24 is a bottom view thereof; FIG. 25 is a perspective view of the notebook computer shown in another alternate configuration with the display rotated 90°; FIG. 26 is another perspective view thereof; FIG. 27 is a front view thereof;

(Continued)

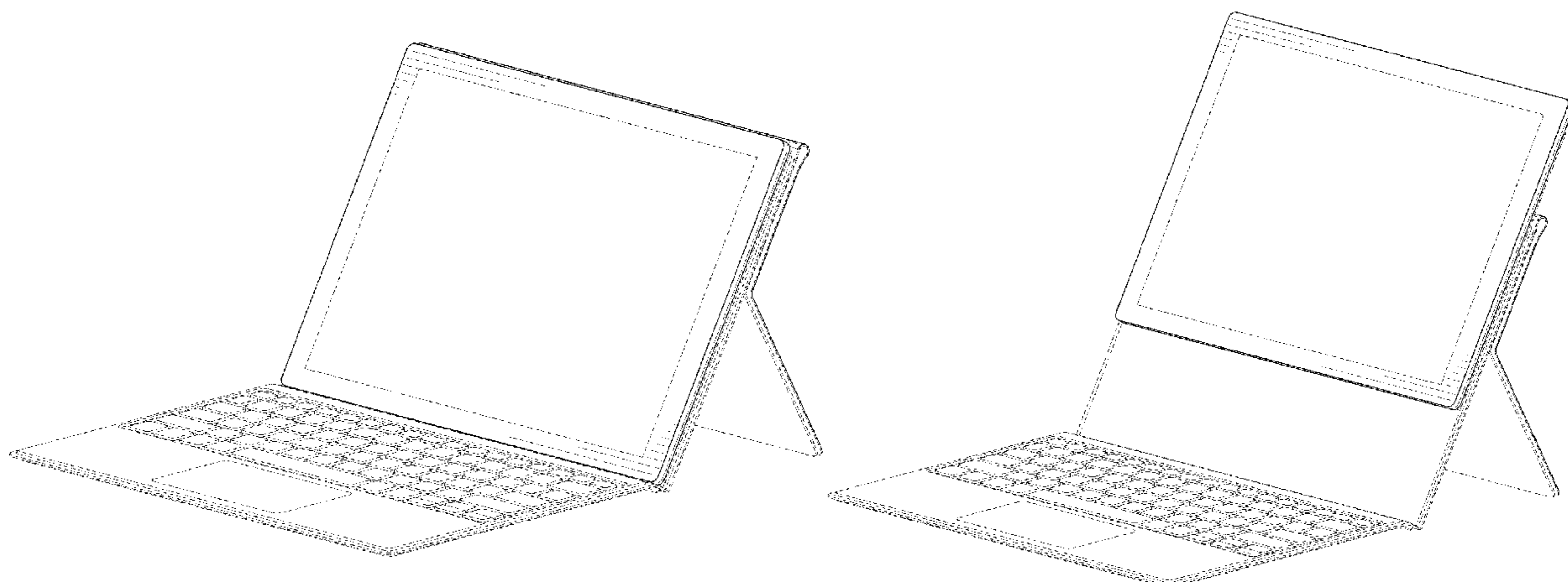


FIG. 28 is a rear view thereof;
 FIG. 29 is a left side view thereof;
 FIG. 30 is a right side view thereof;
 FIG. 31 is a top view thereof; and,
 FIG. 32 is a bottom view thereof.

The evenly-dashed broken lines depict portions of the notebook computer with slidable and rotatable display that form no part of the claimed design. The dot-dash broken lines define the bounds of the claimed design and form no part thereof.

1 Claim, 32 Drawing Sheets

(58) **Field of Classification Search**

USPC D14/341-347; D6/308, 310; D10/50, 65,
 D10/104.1; D18/6-7; D19/26, 59-60;
 D21/324, 329-330, 332
 CPC ... H04M 1/0202; H04M 1/0266; H04M 1/725
 See application file for complete search history.

(56) **References Cited**

U.S. PATENT DOCUMENTS

D695,287	S	*	12/2013	Chang	D14/315
D696,254	S	*	12/2013	Groene	D14/345
D706,261	S	*	6/2014	Sharma	D14/341
D706,761	S	*	6/2014	Lee	D14/315
D709,490	S	*	7/2014	Lee	D14/315
D719,564	S	*	12/2014	Ji	D14/315
D726,177	S	*	4/2015	Lee	D14/315
D740,802	S	*	10/2015	Hsu	D14/316
D744,492	S	*	12/2015	Lin	G06F 1/1632 D14/440
9,235,235	B2	*	1/2016	Chen	H04M 1/0237
D748,619	S	*	2/2016	Hsu	D14/316

9,268,361	B2	*	2/2016	Leung	G06F 1/162
D772,880	S	*	11/2016	Corcoran	D14/440
D780,174	S	*	2/2017	Park	D14/341
D799,491	S	*	10/2017	Barnard	D14/440
D811,389	S	*	2/2018	Kim	D14/345
D811,390	S	*	2/2018	Kim	D14/345
D876,430	S	*	2/2020	Lin	D14/327
D907,046	S	*	1/2021	Kao	D14/440
D917,494	S	*	4/2021	Okuley	D14/447
D934,826	S	*	11/2021	Wang	D14/126
2009/0040701	A1	*	2/2009	Lin	G06F 1/1681 361/679.27
2014/0071654	A1	*	3/2014	Chien	H01H 13/83 362/23.03

FOREIGN PATENT DOCUMENTS

CN	305836091	*	6/2020
CN	305868653	*	6/2020
CN	306382330	*	3/2021

OTHER PUBLICATIONS

HP Spectre Folio, date first available: Oct. 31, 2018, [retrieved Sep. 8, 2021], Retrieved from Internet, URL: <<https://www.amazon.com/HP-Spectre-2-1-Touch-Screen/dp/B07K1XKW81>> (Year: 2018).*

Compal PivoBook laptop with unique rotating display, Feb. 6, 2020, [retrieved Sep. 8, 2021], Retrieved from Internet, URL: <<https://www.geeky-gadgets.com/rotating-screen-laptop-06-02-2020/>> (Year: 2020).*

Lenovo Chromebook Duet, review date: May 22, 2020, [retrieved Sep. 8, 2021], Retrieved from Internet, URL: <https://www.qvc.com/qvc.product.E236860.html?colorId=060&sizeId=000&ref=GBA&cm_mmc=GOOGLESHOPPINGFEED_-_GShopping|MI|Generic|E2%80%A61/11E236860LenovoChromebookDuet10.1> (Year: 2020).*

Living with an HP Spectre Folio 13, Feb. 12, 2019, [retrieved Sep. 8, 2021], Retrieved from Internet, URL: <<https://www.pcmag.com/news/living-with-an-hp-spectre-folio-13>> (Year: 2019).*

* cited by examiner

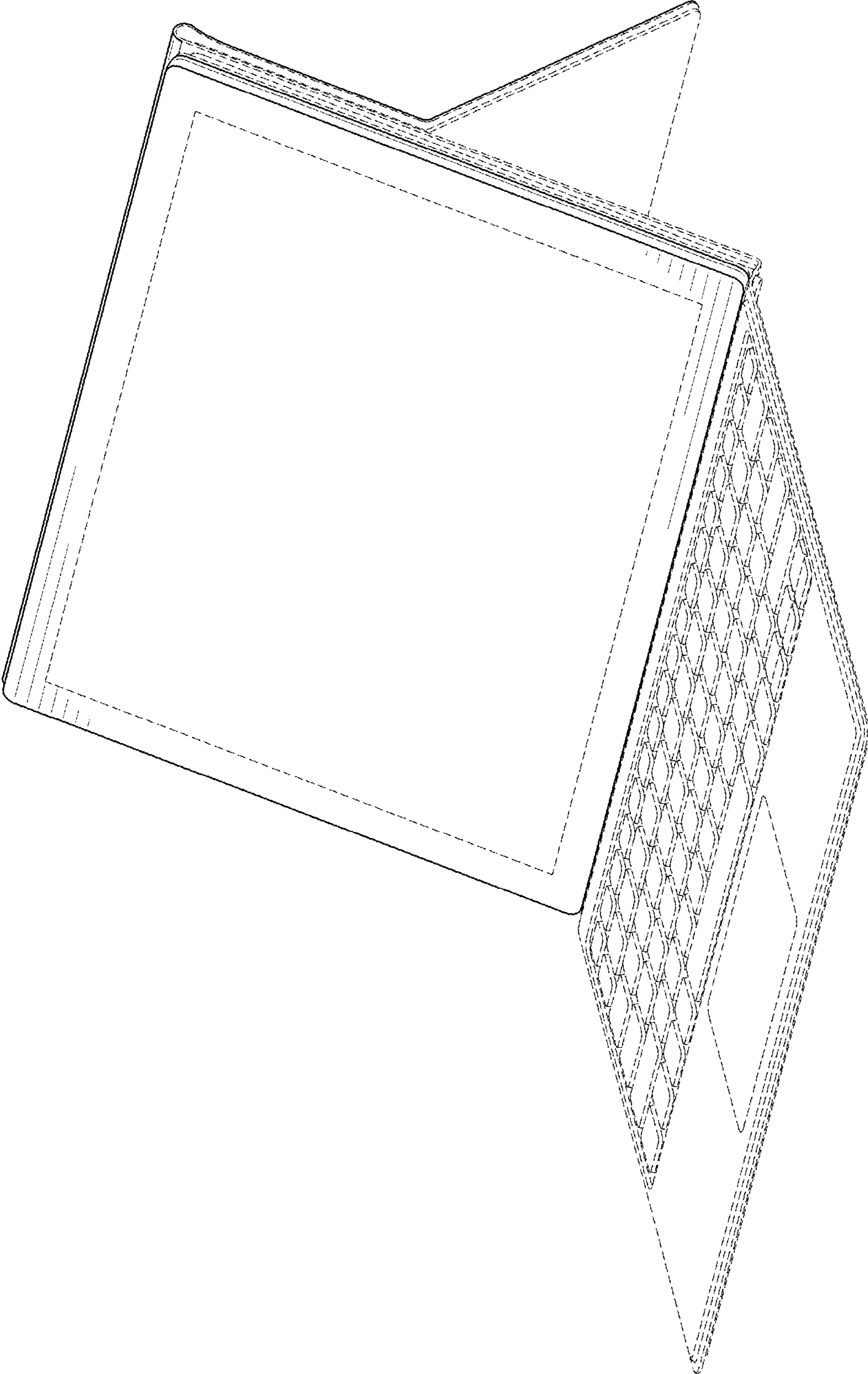


FIG. 1

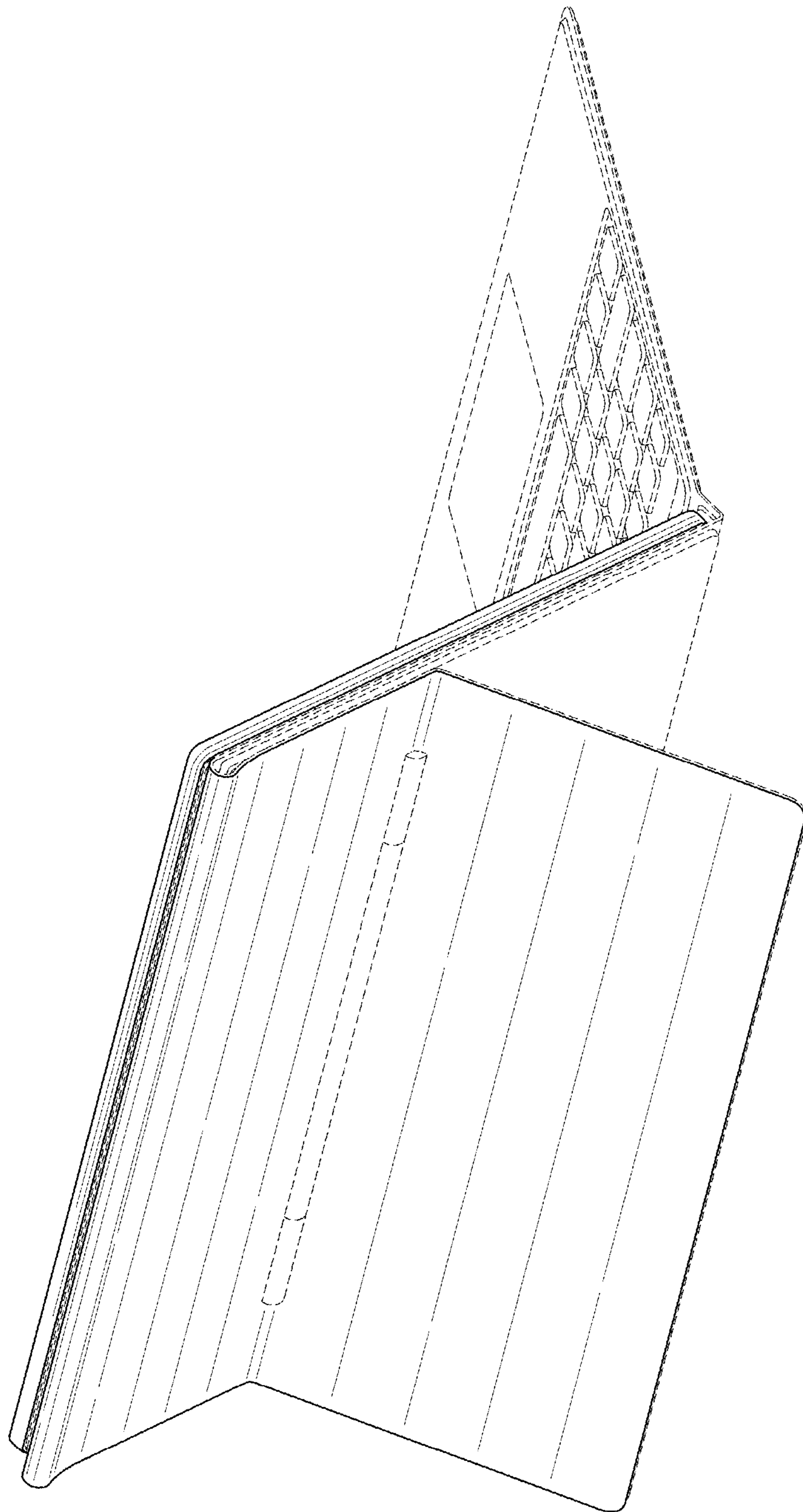


FIG. 2

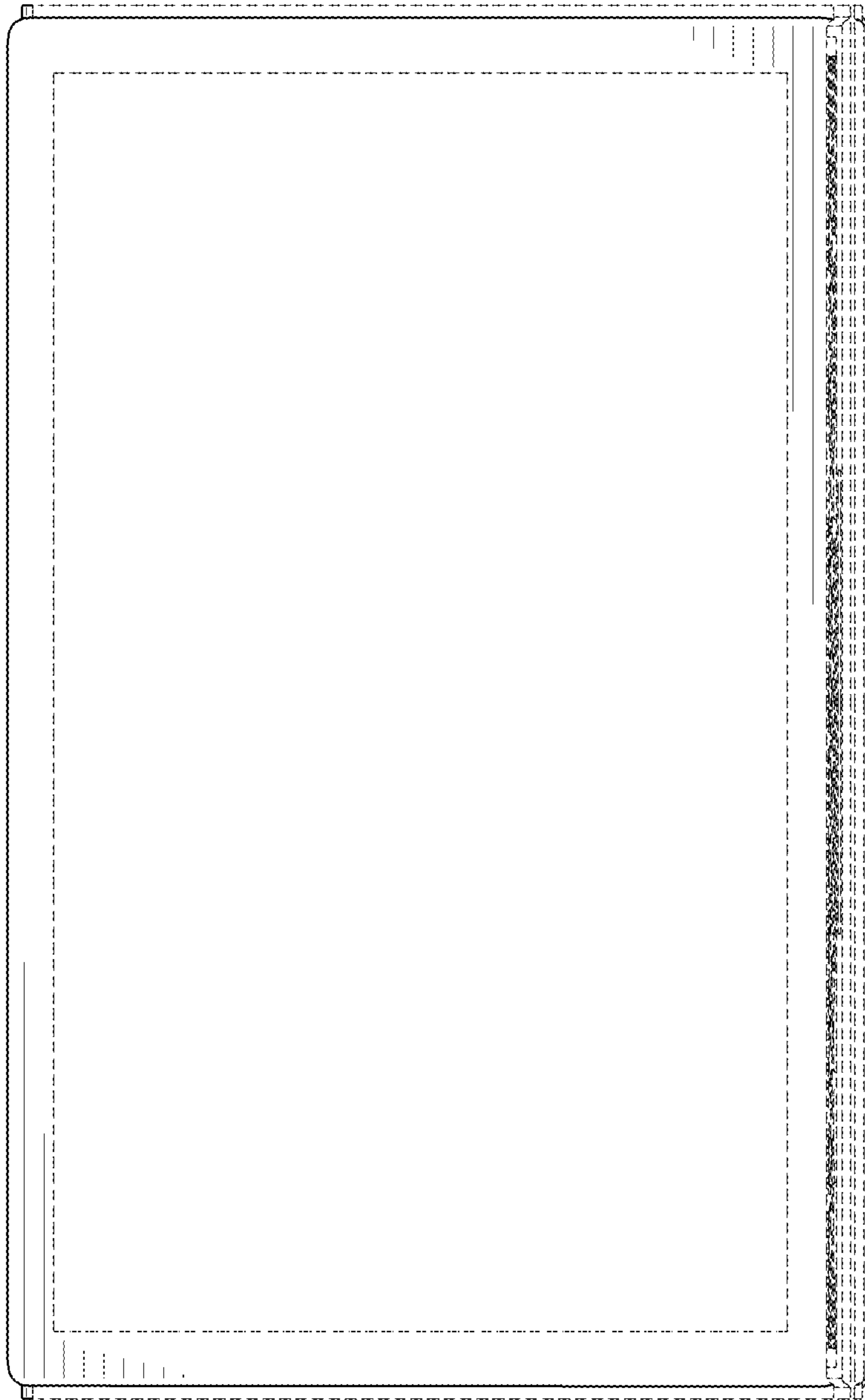


FIG. 3

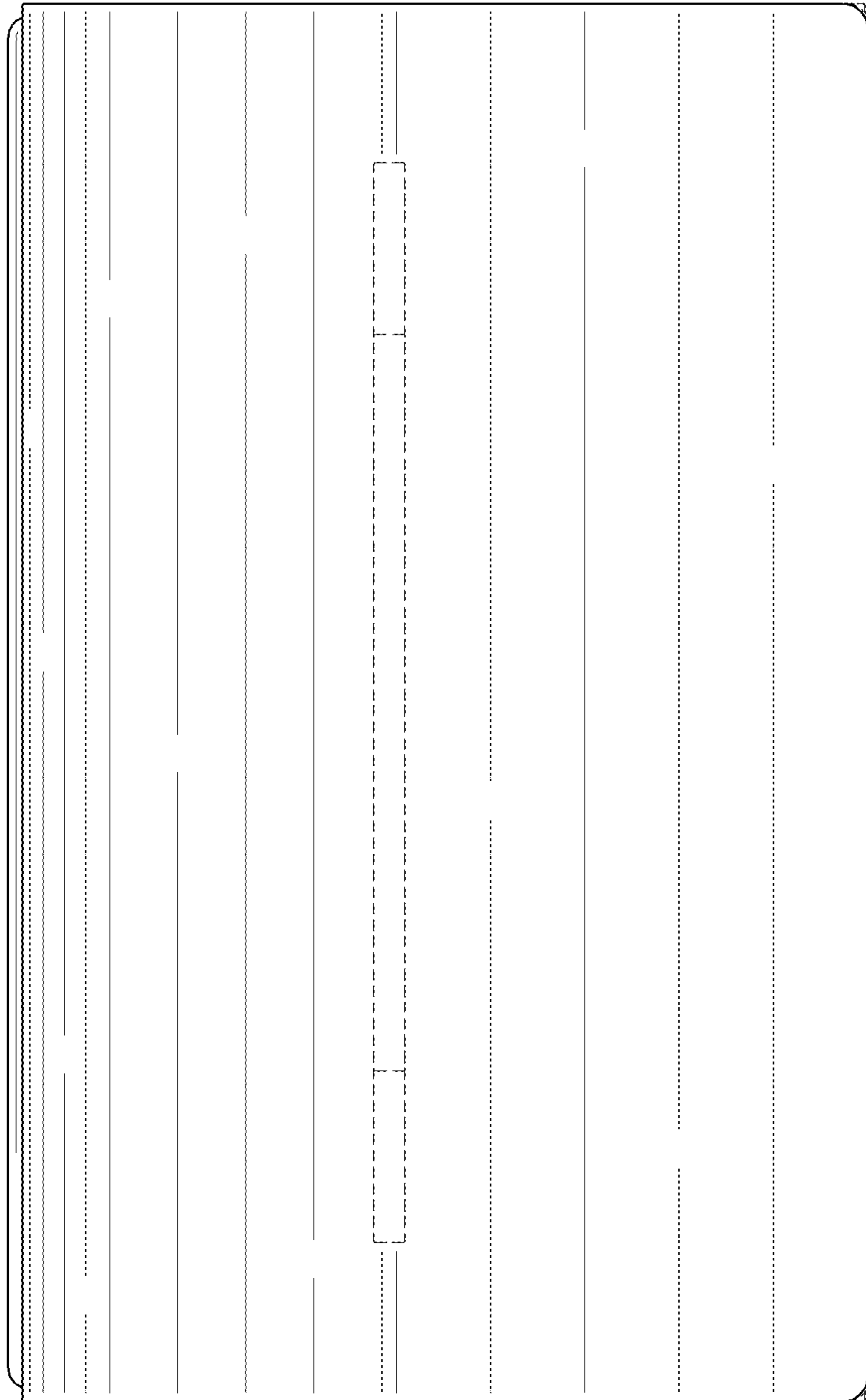


FIG. 4

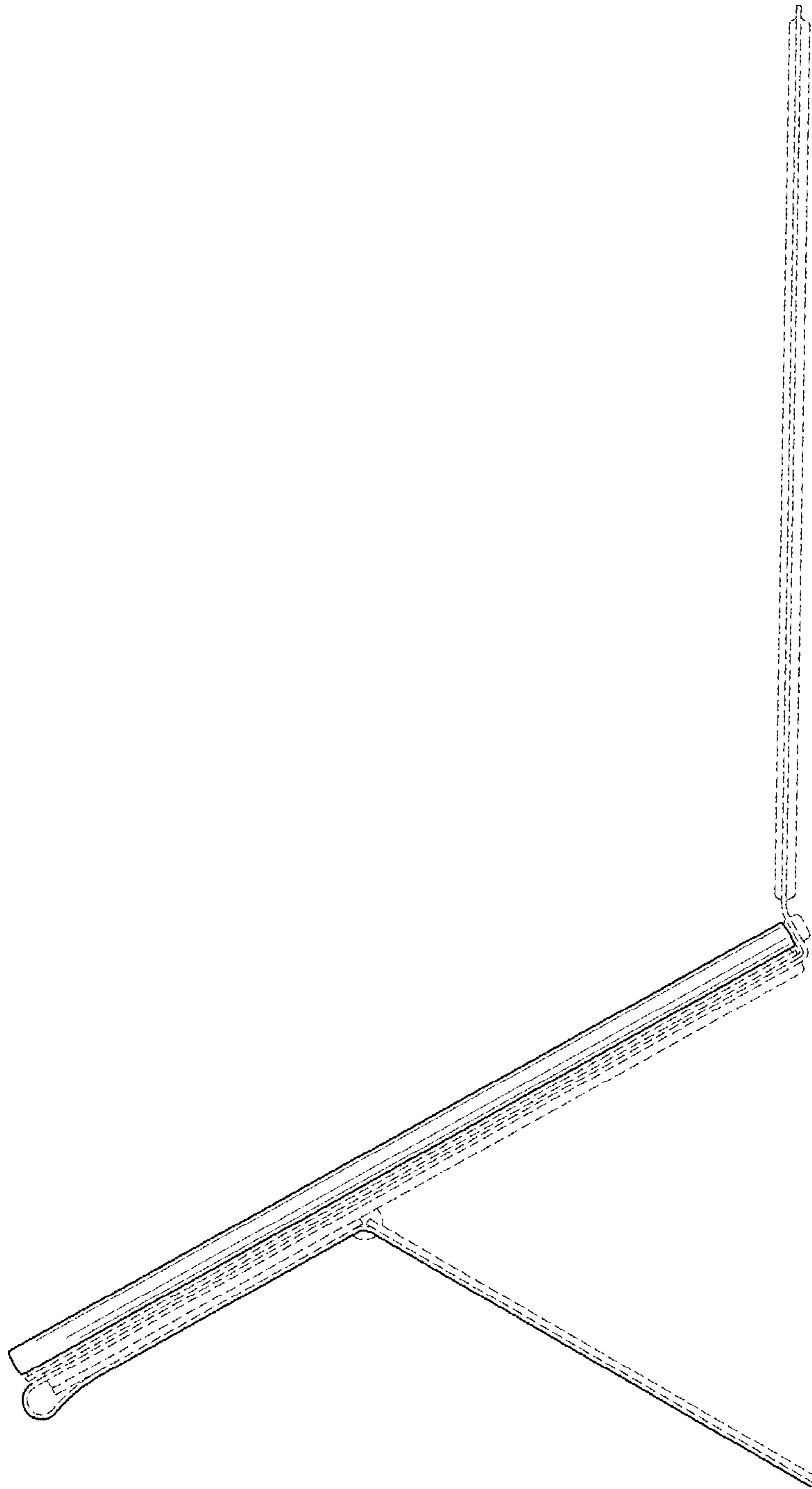


FIG. 5

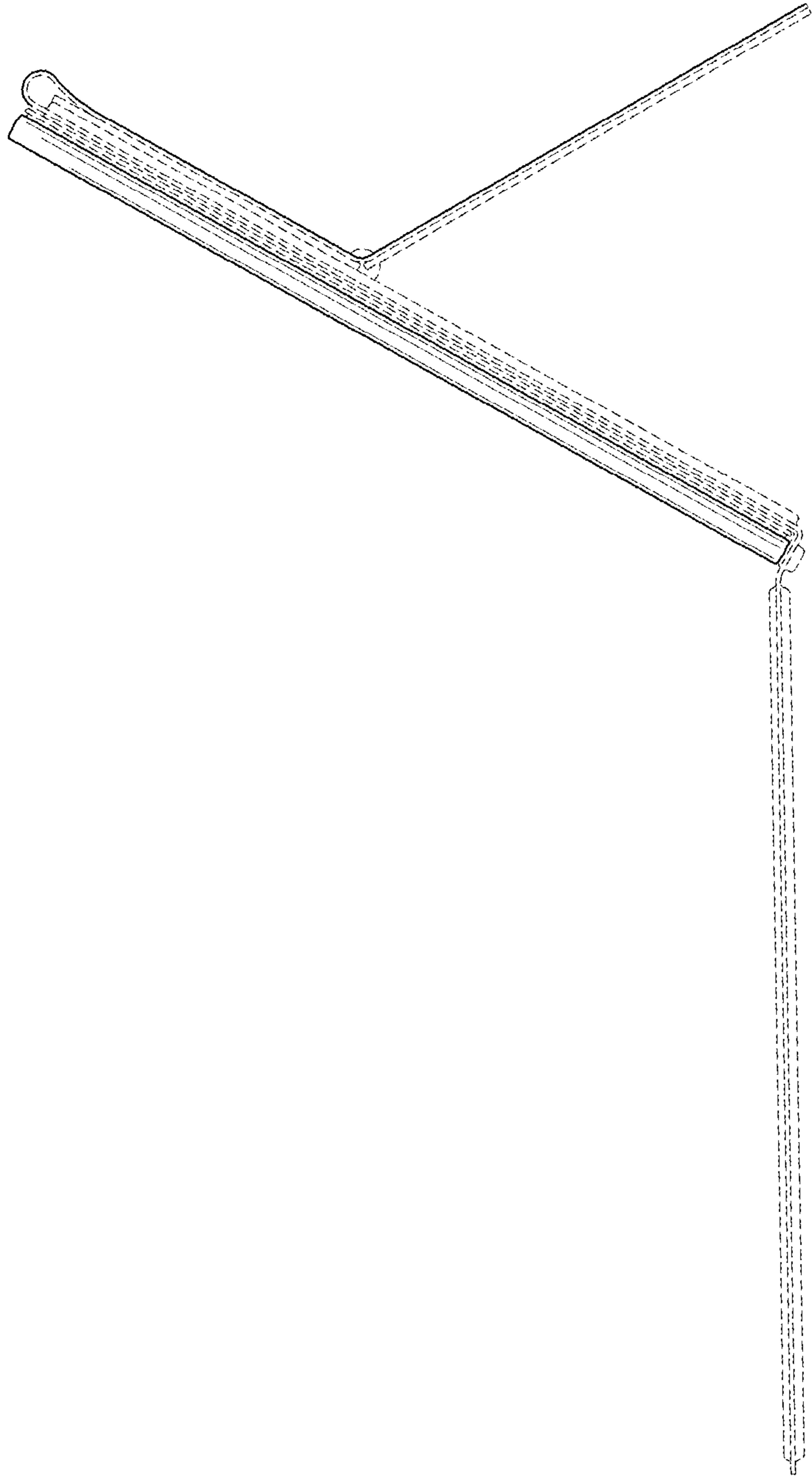


FIG. 6

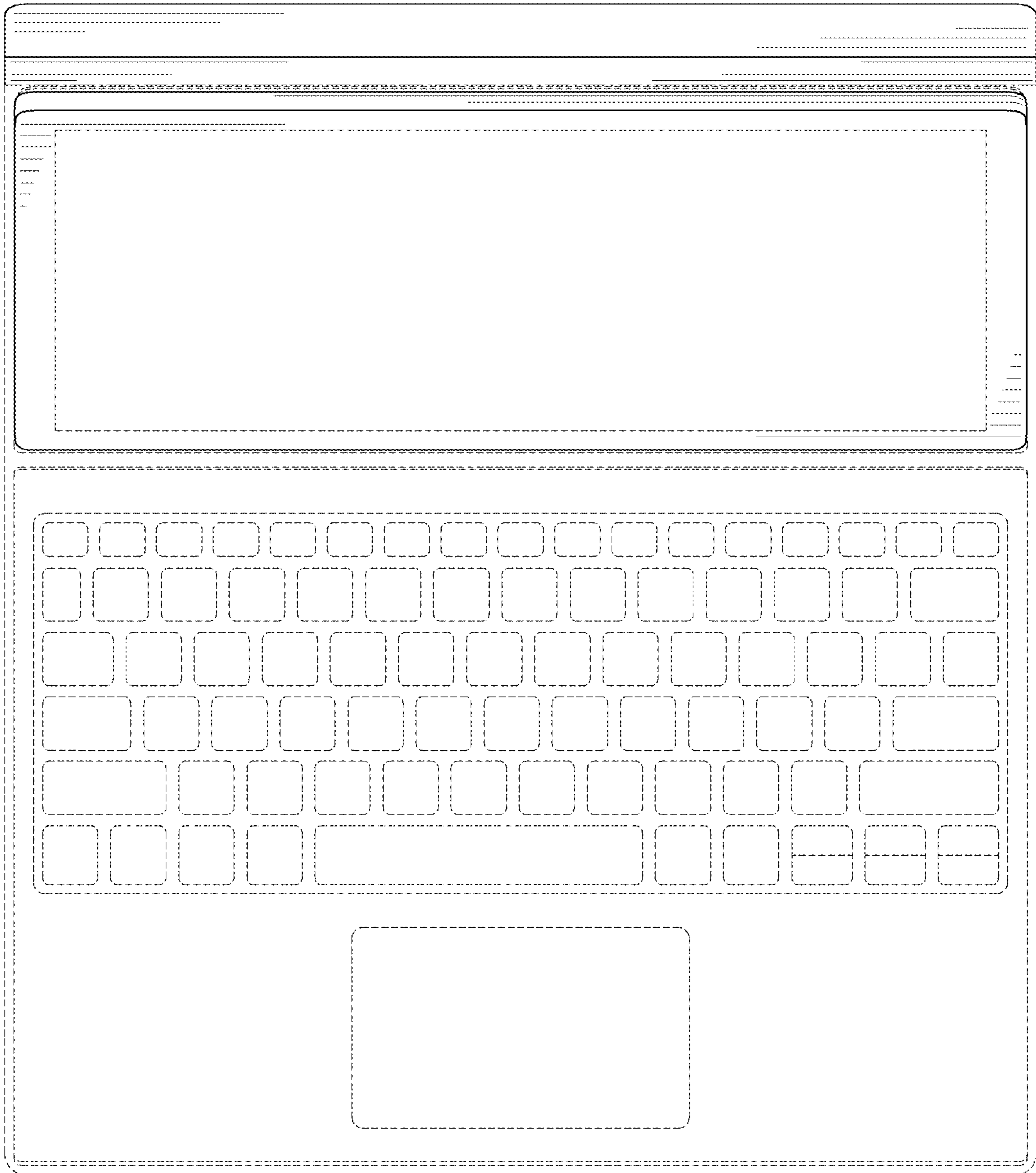


FIG. 7

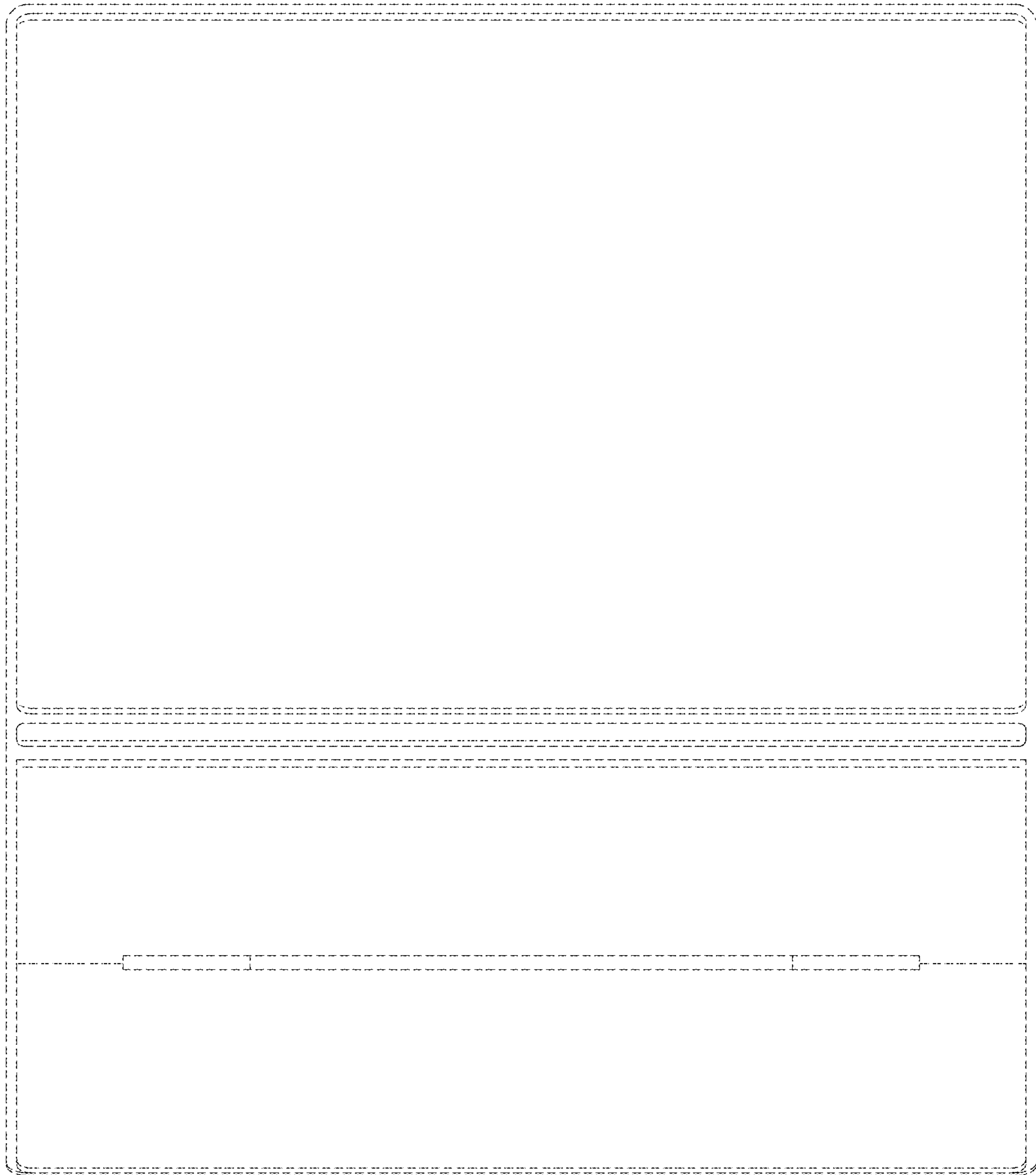


FIG. 8

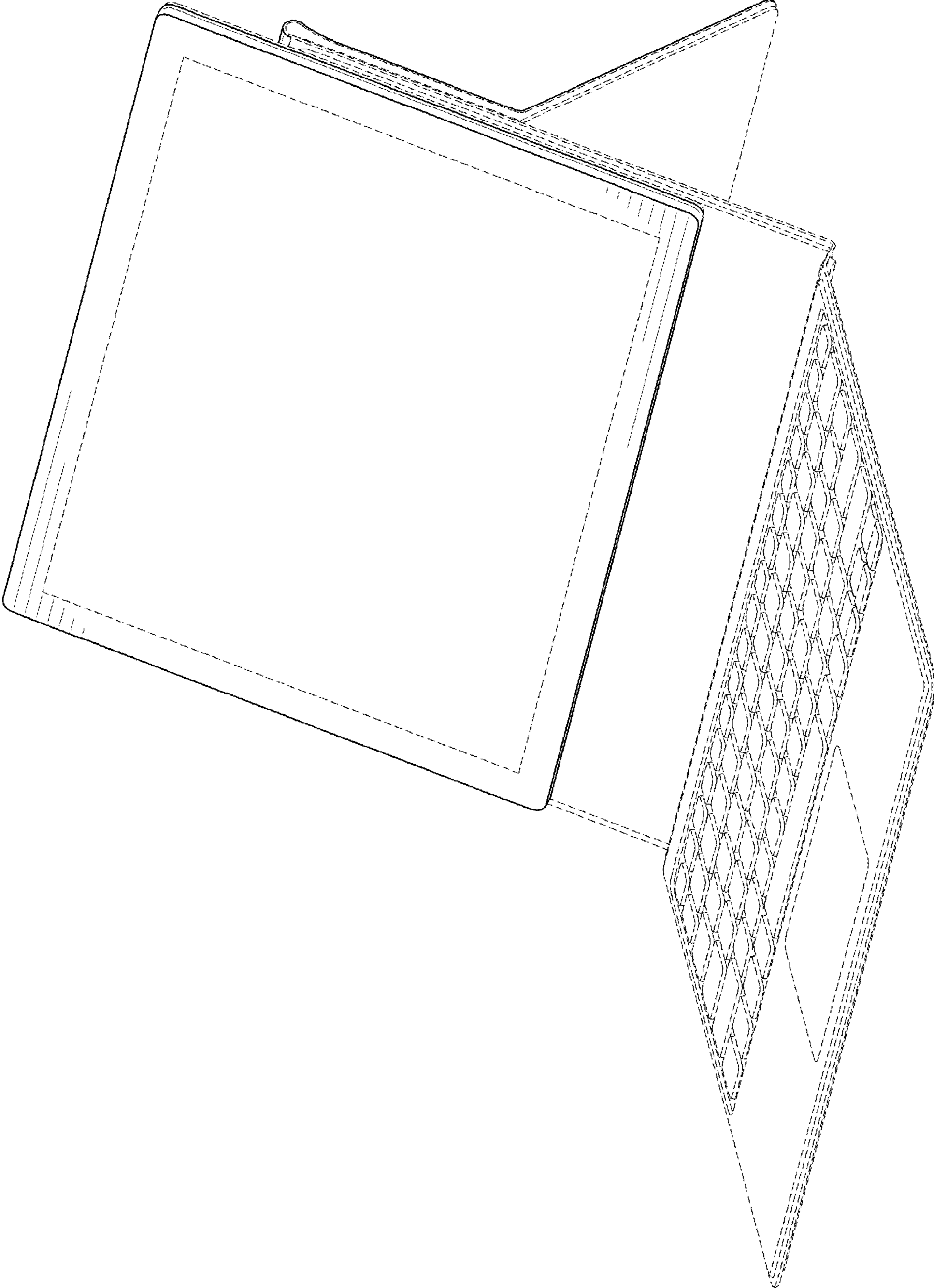


FIG. 9

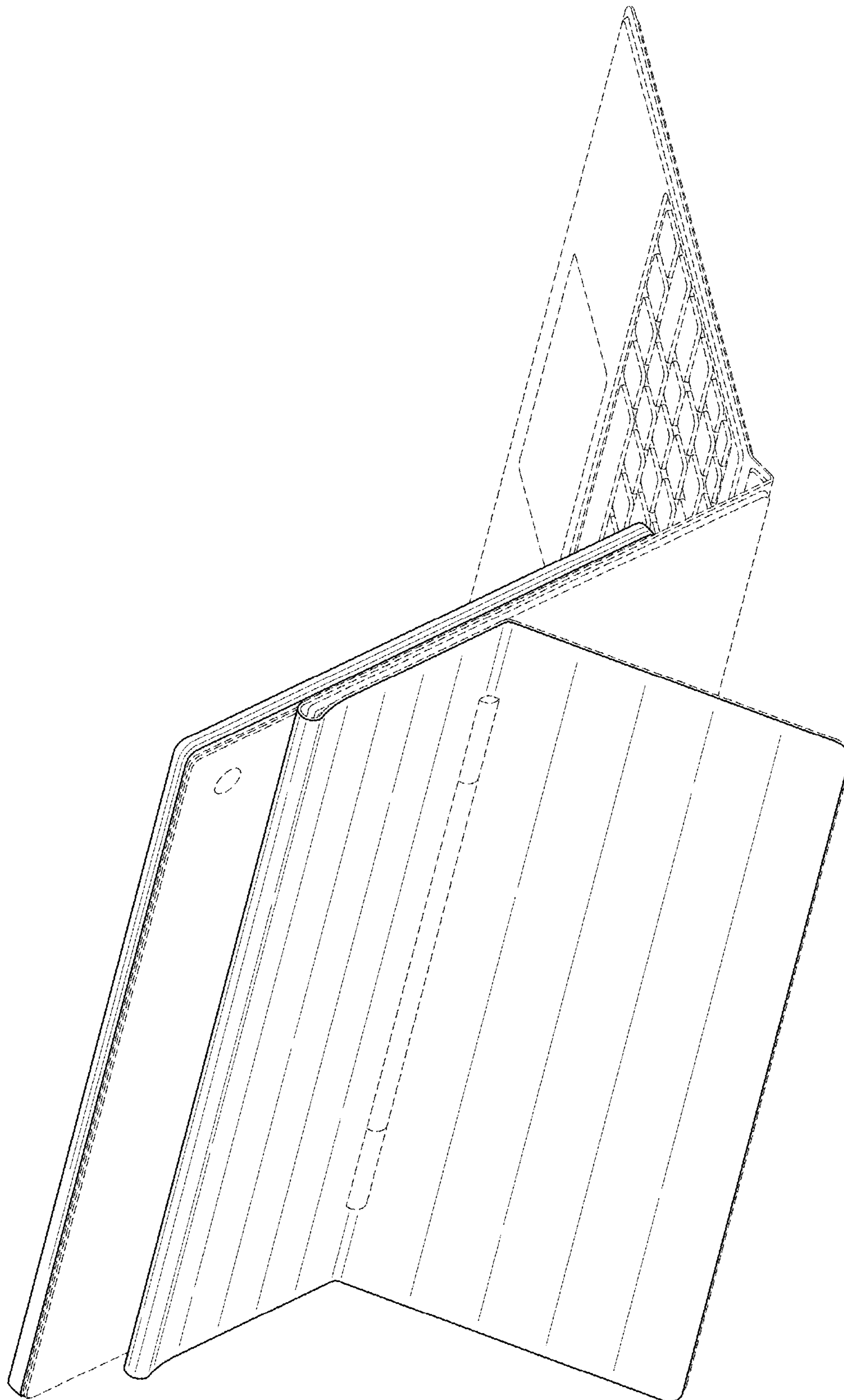


FIG. 10

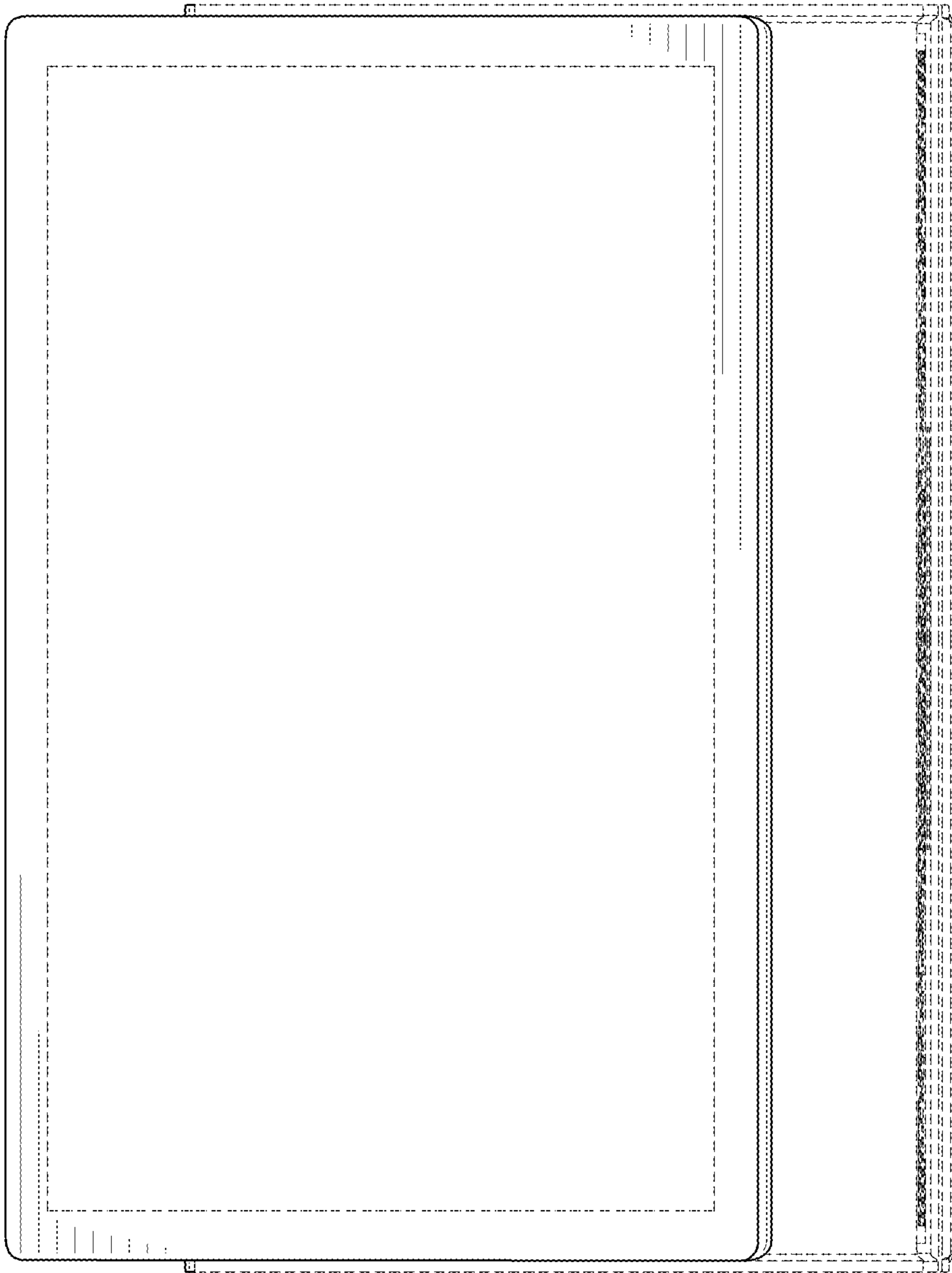


FIG. 11

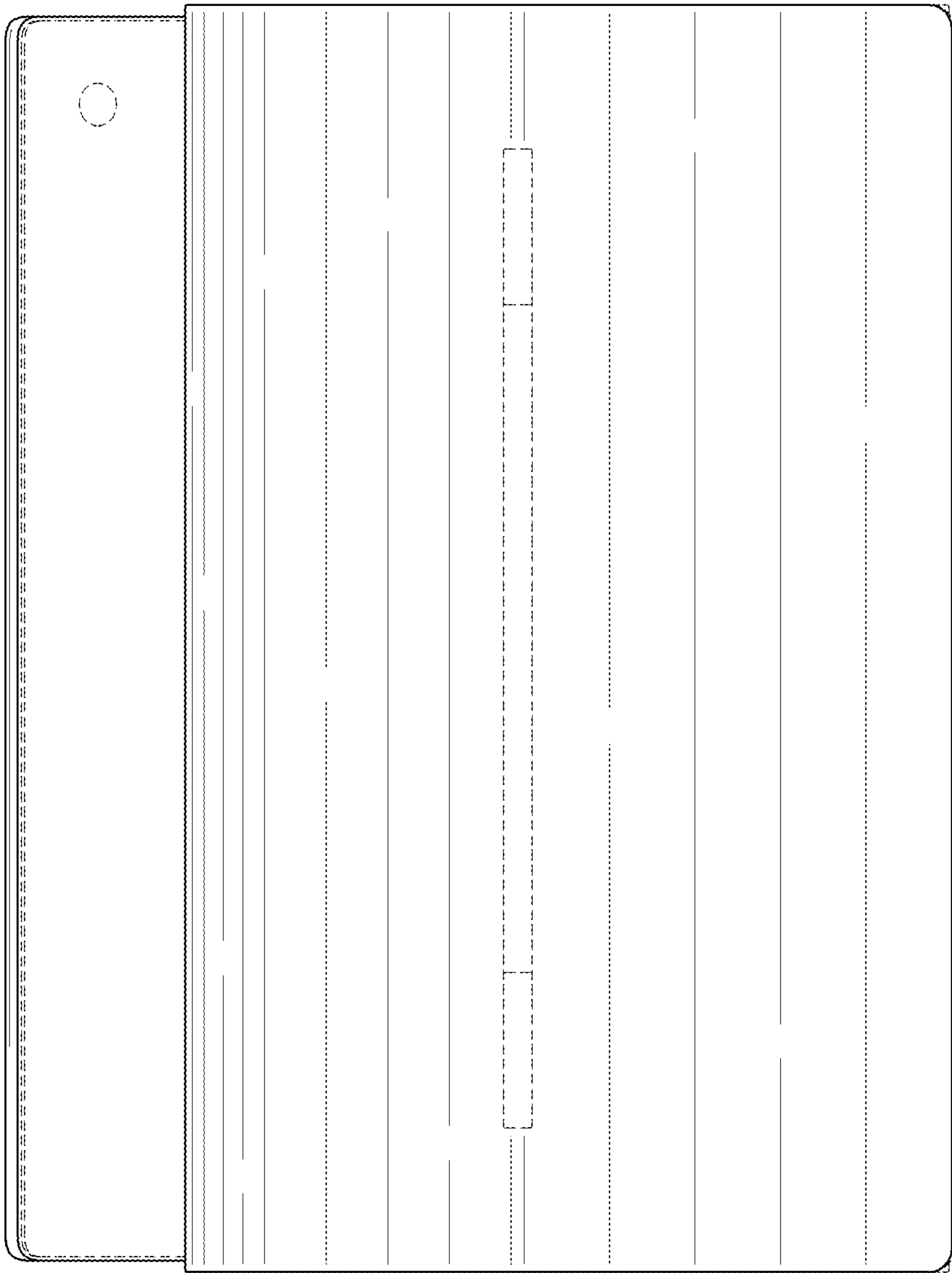


FIG. 12

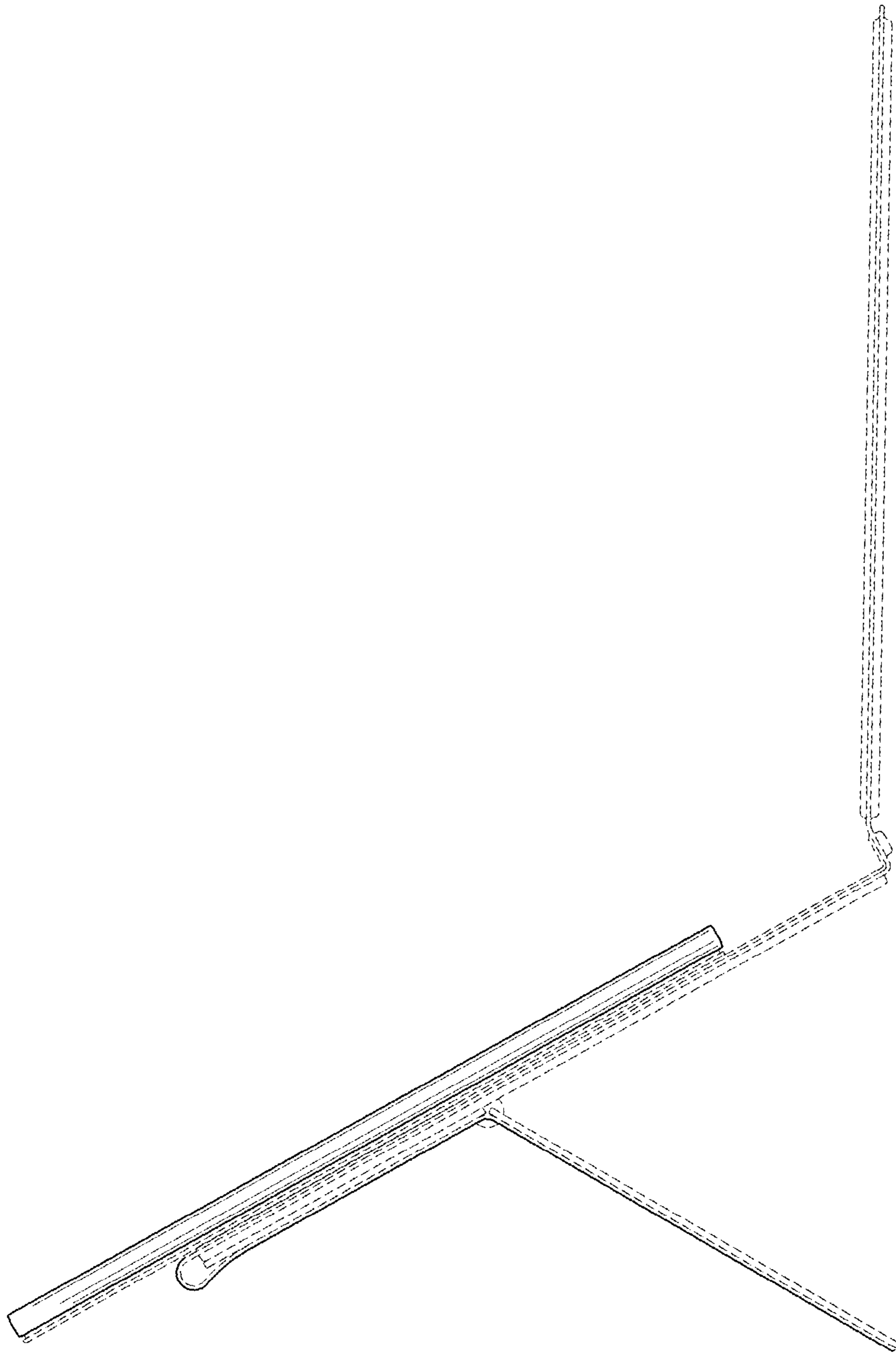


FIG. 13

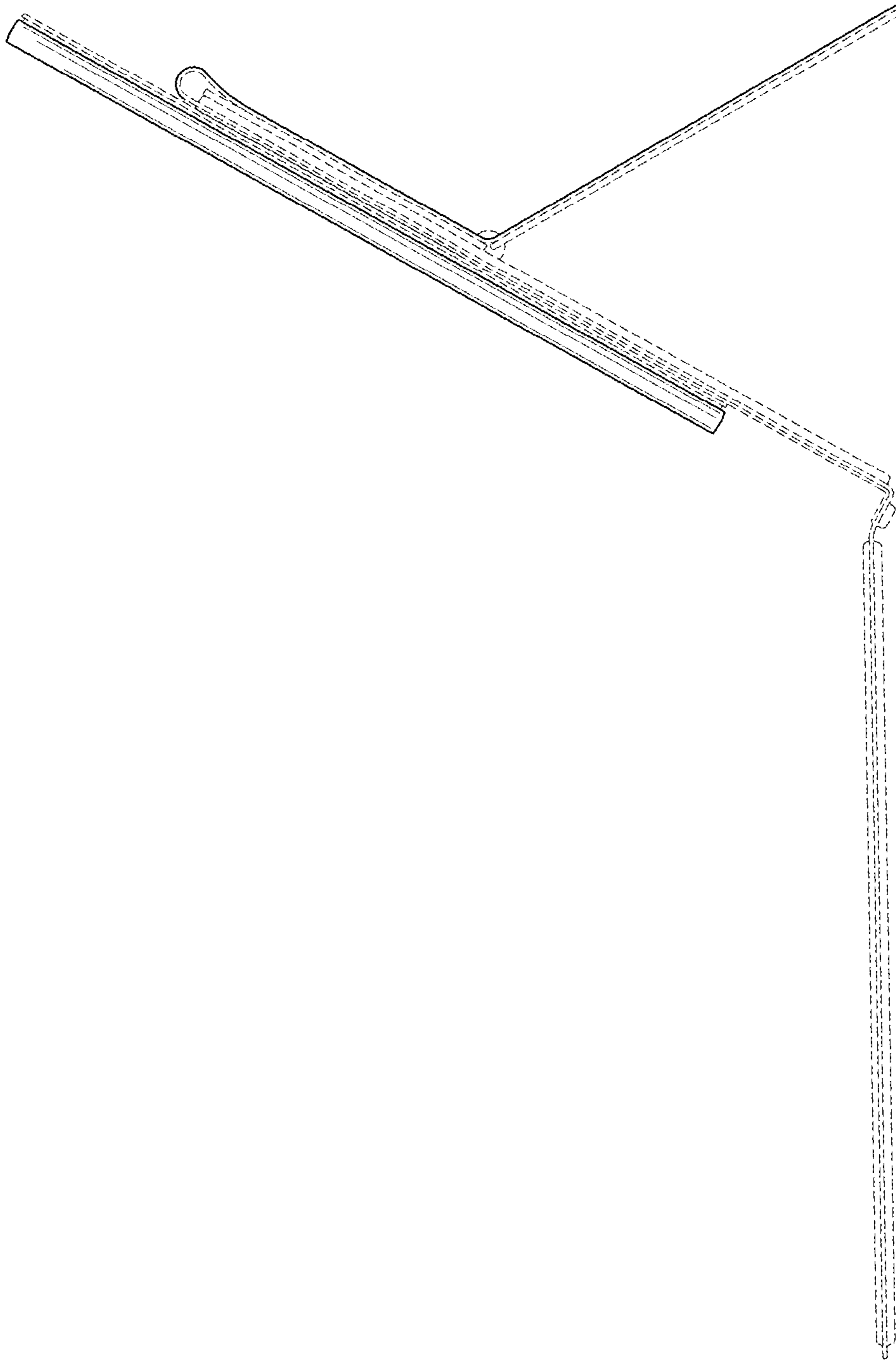


FIG. 14

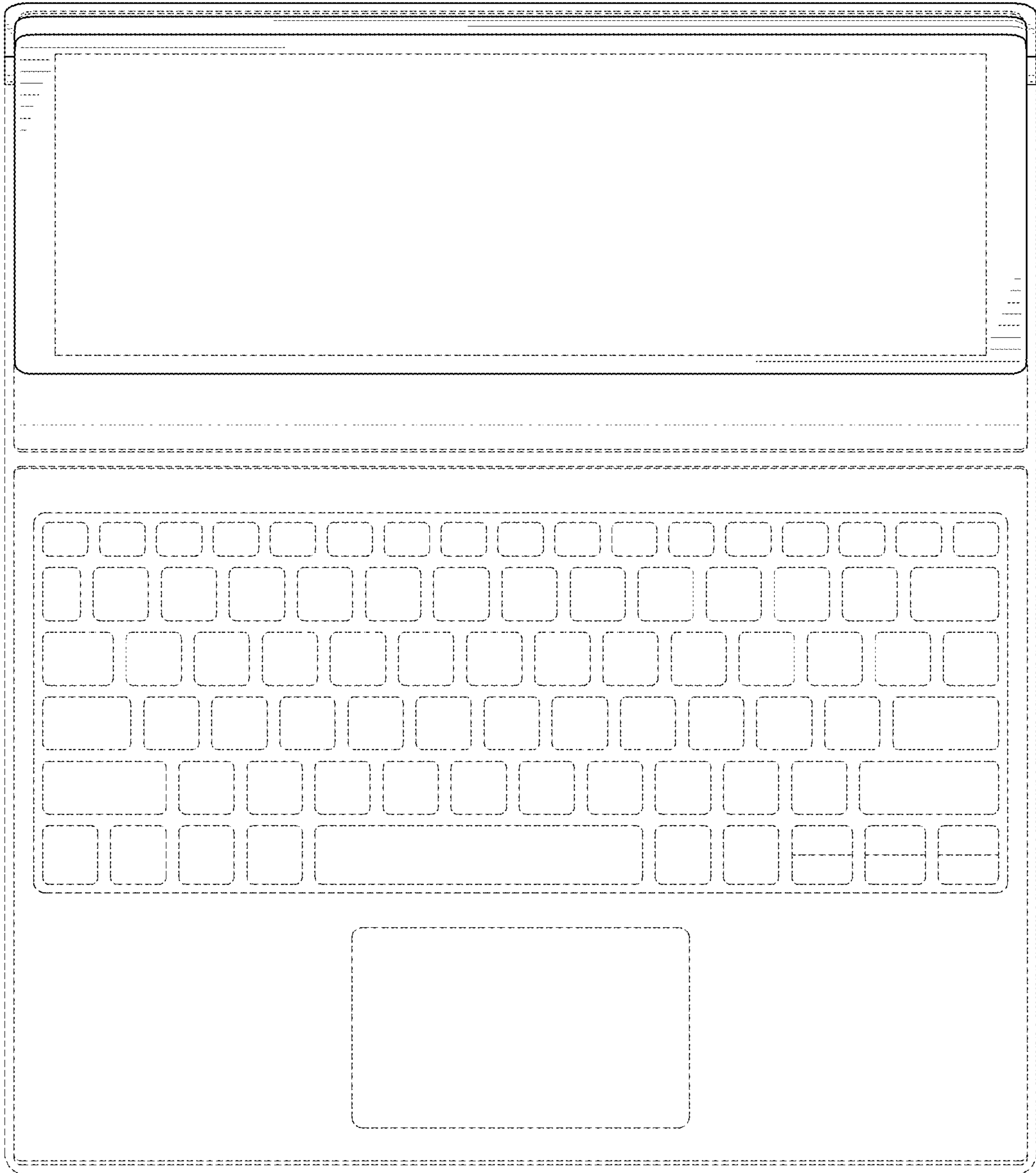


FIG. 15

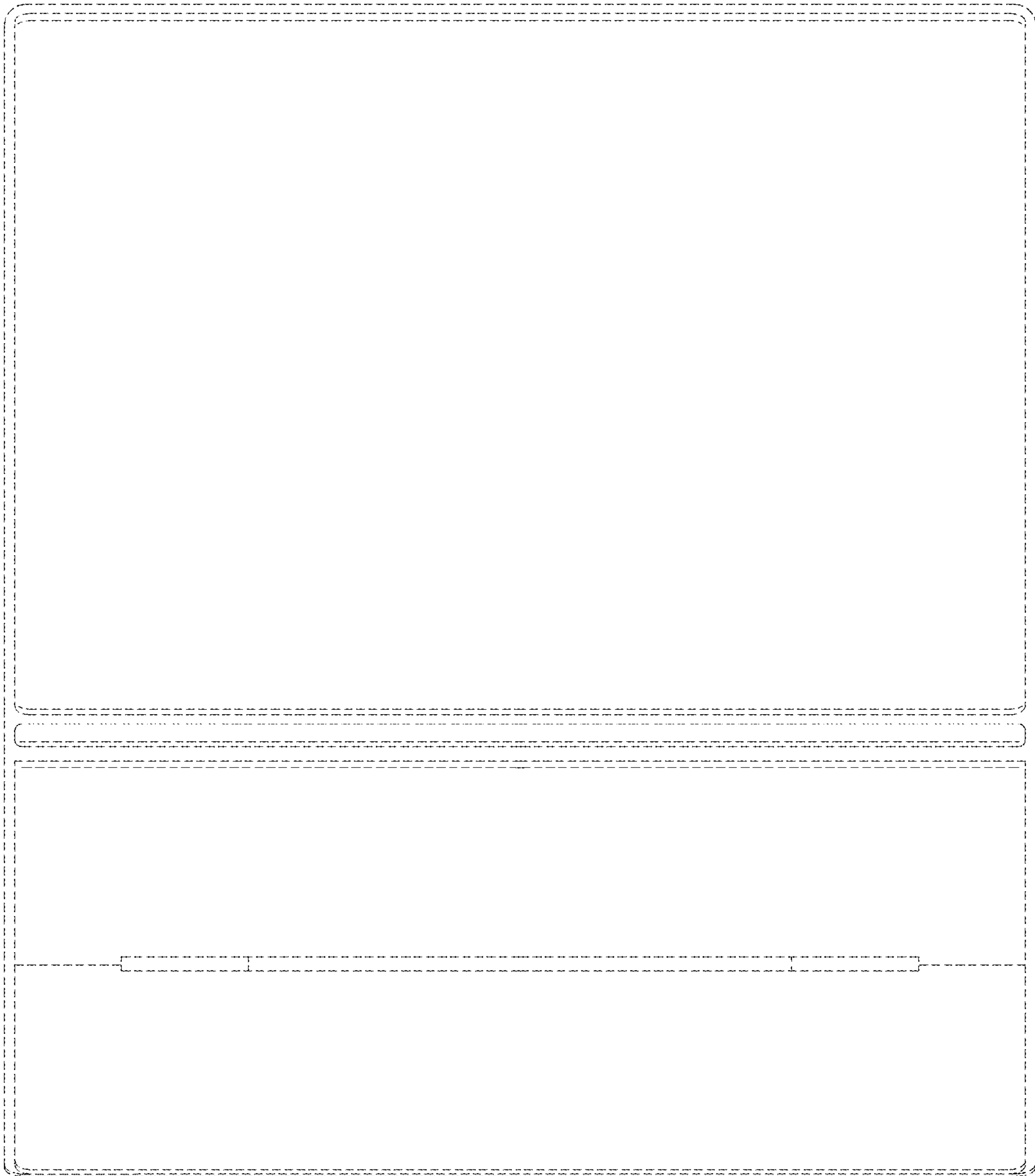


FIG. 16

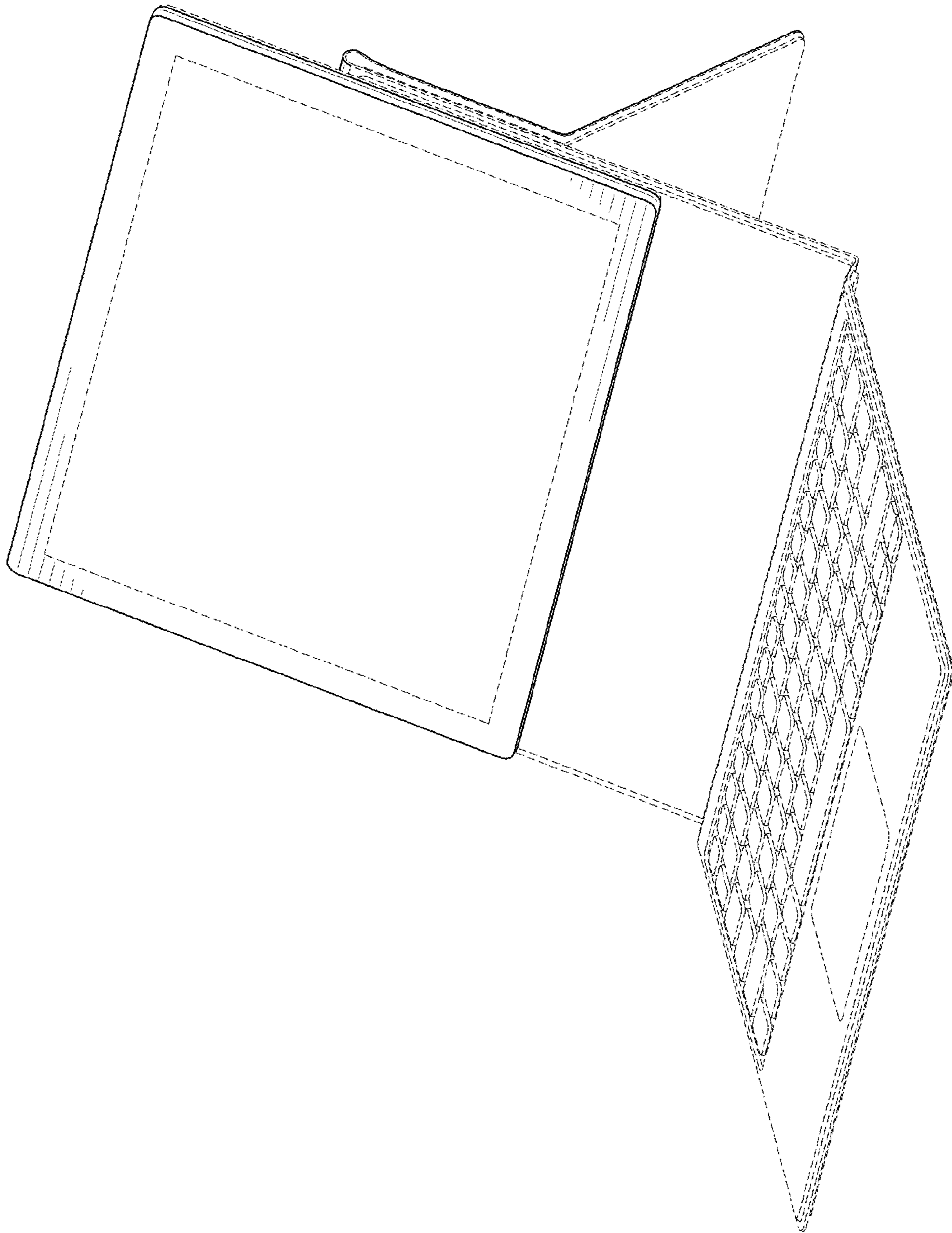


FIG. 17

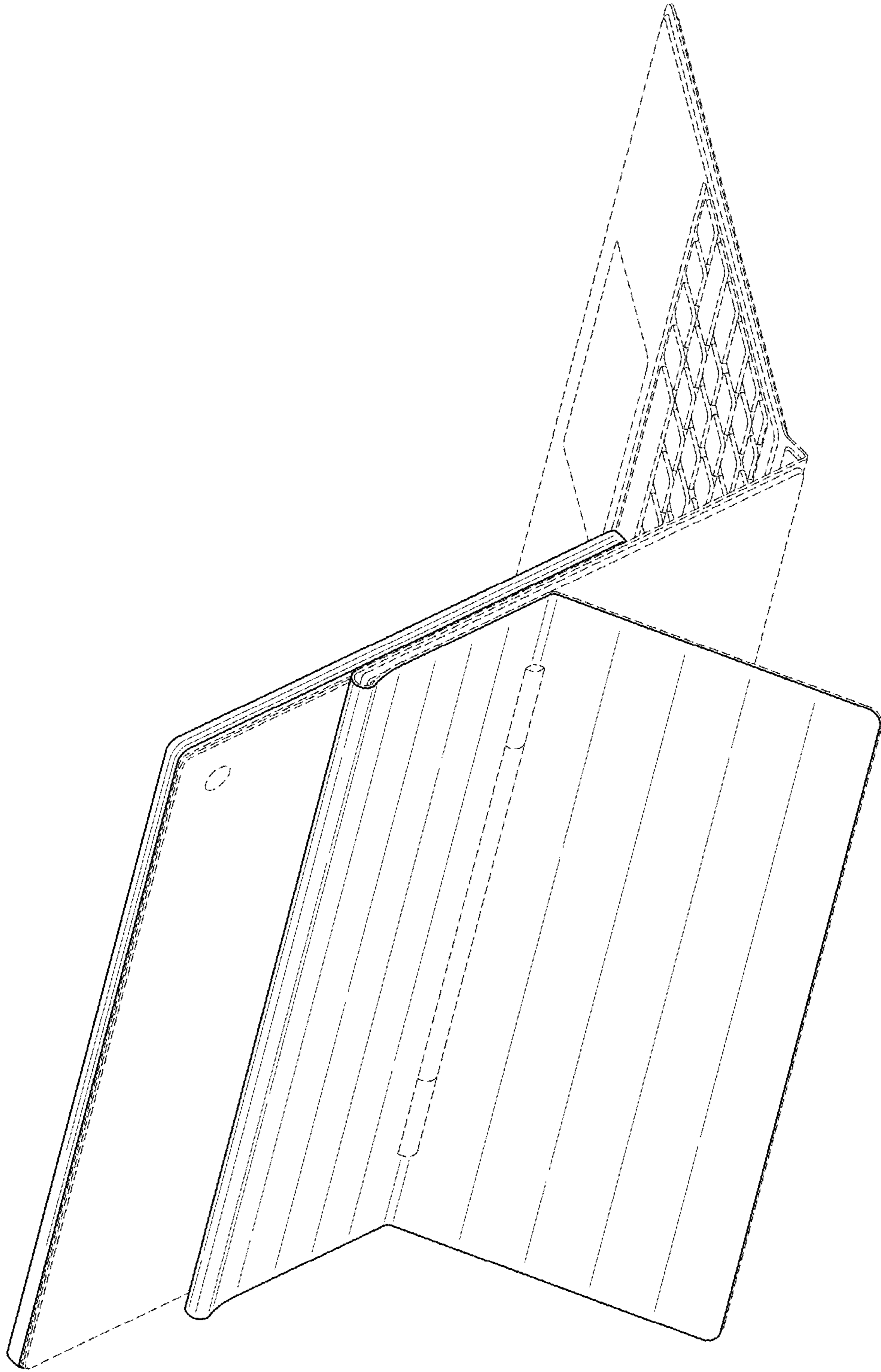


FIG. 18

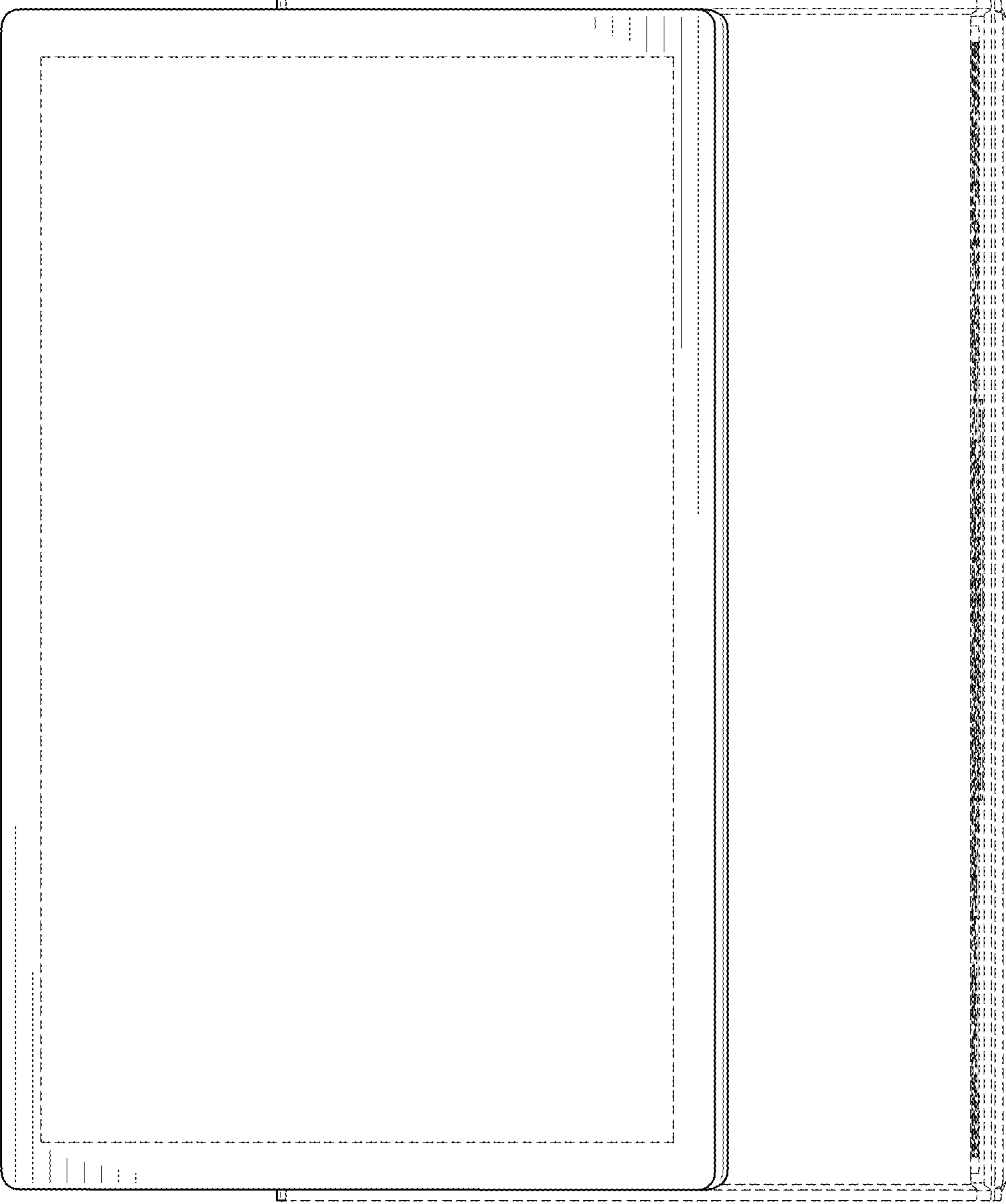


FIG. 19

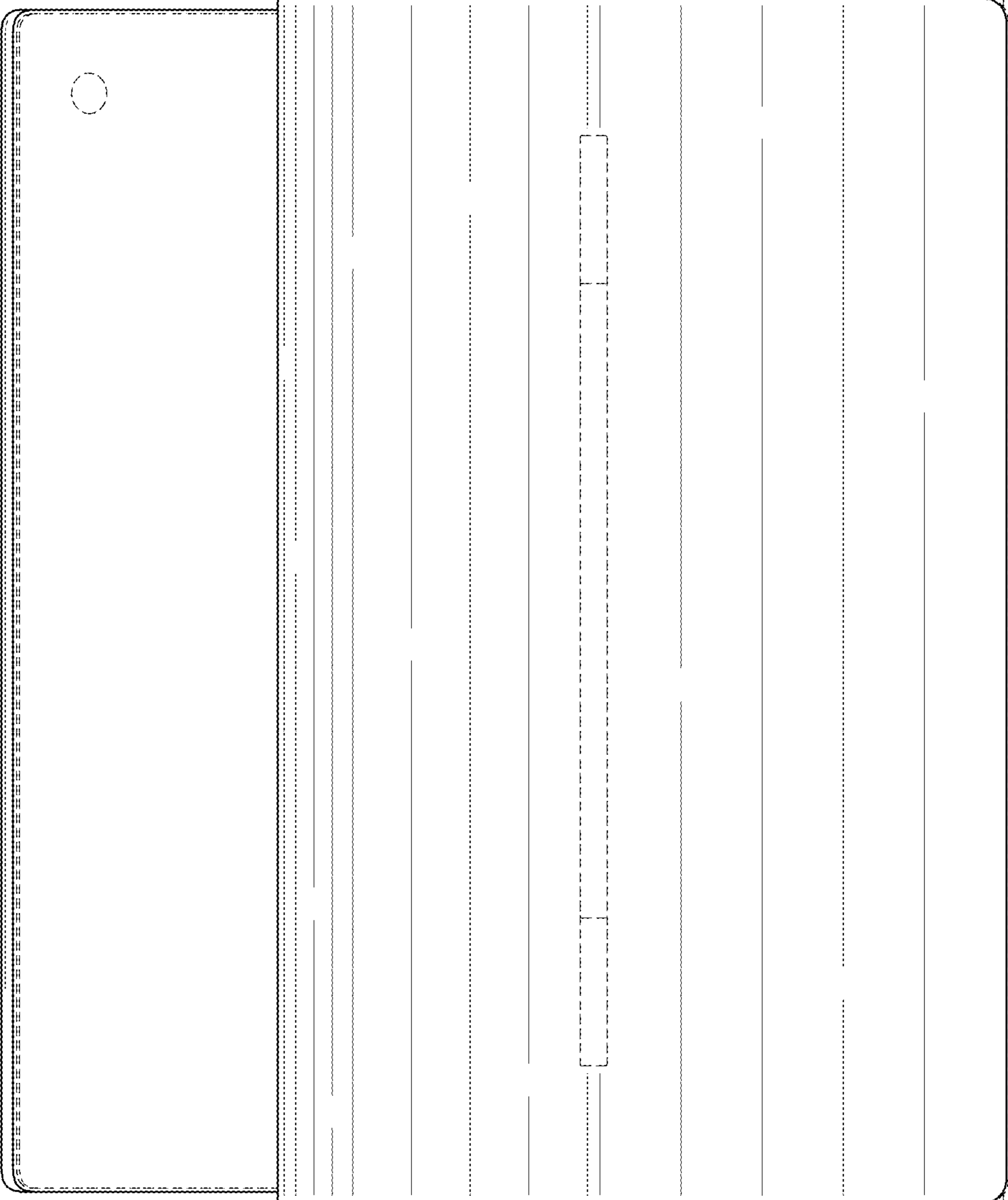


FIG. 20

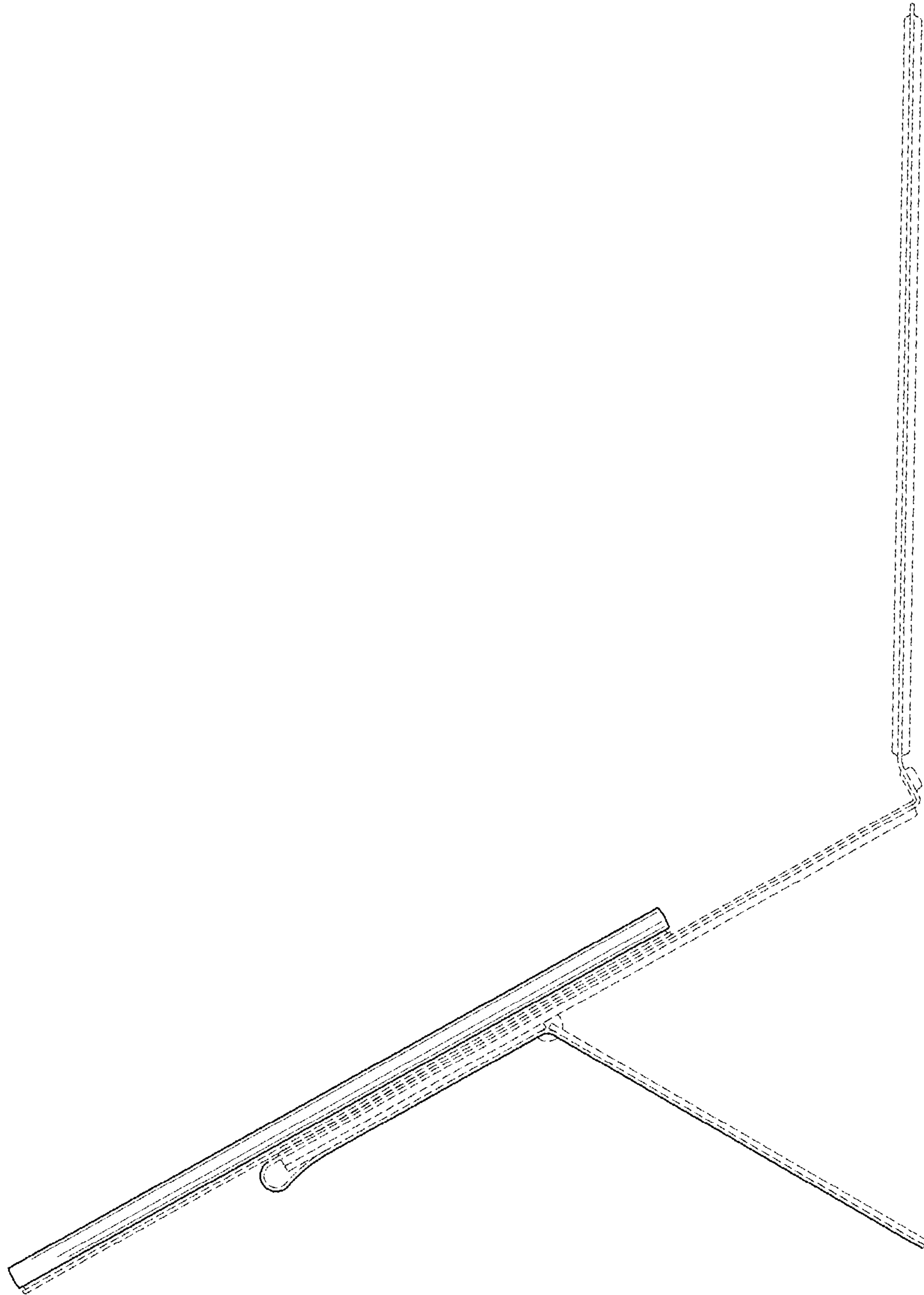


FIG. 21

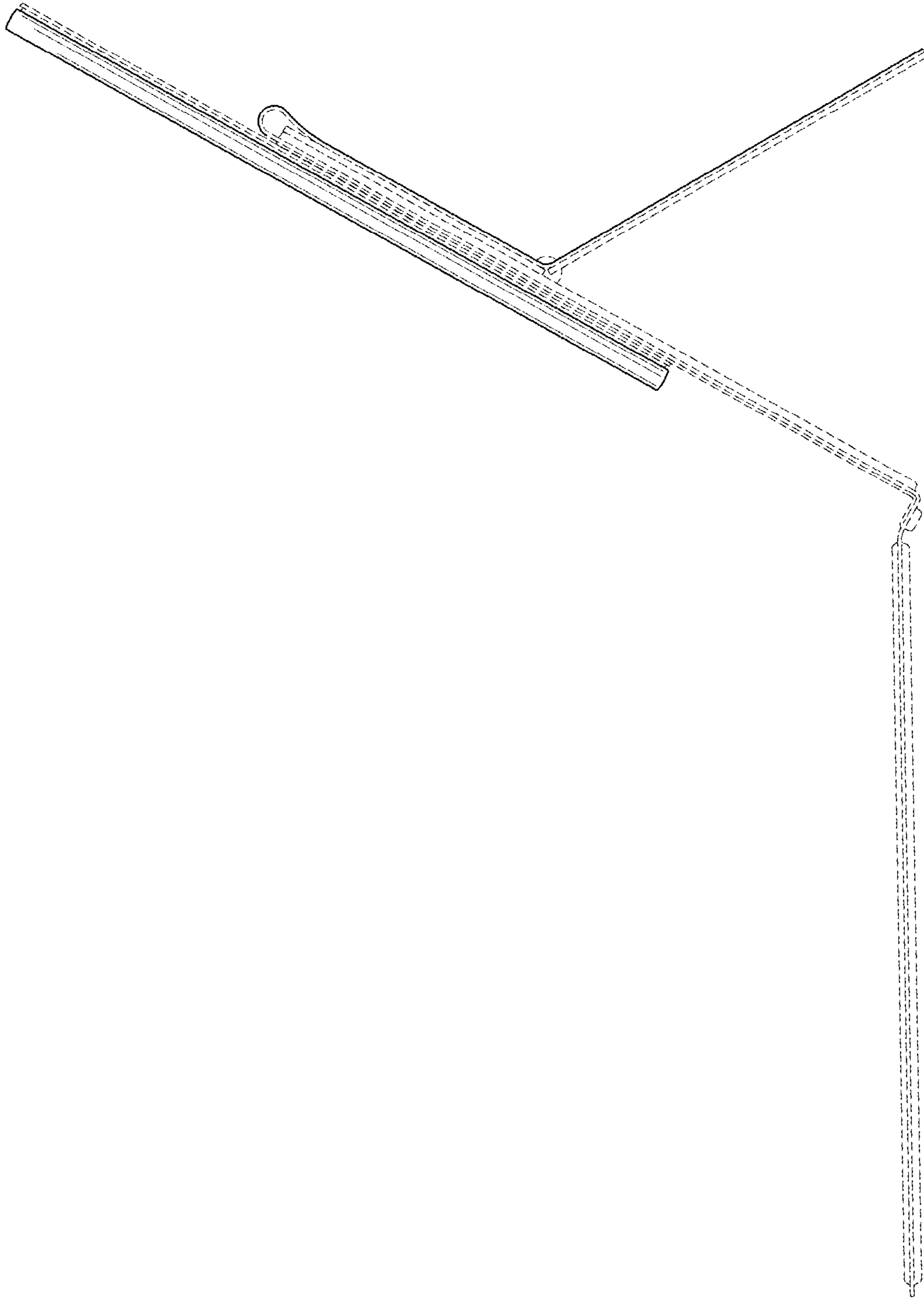


FIG. 22

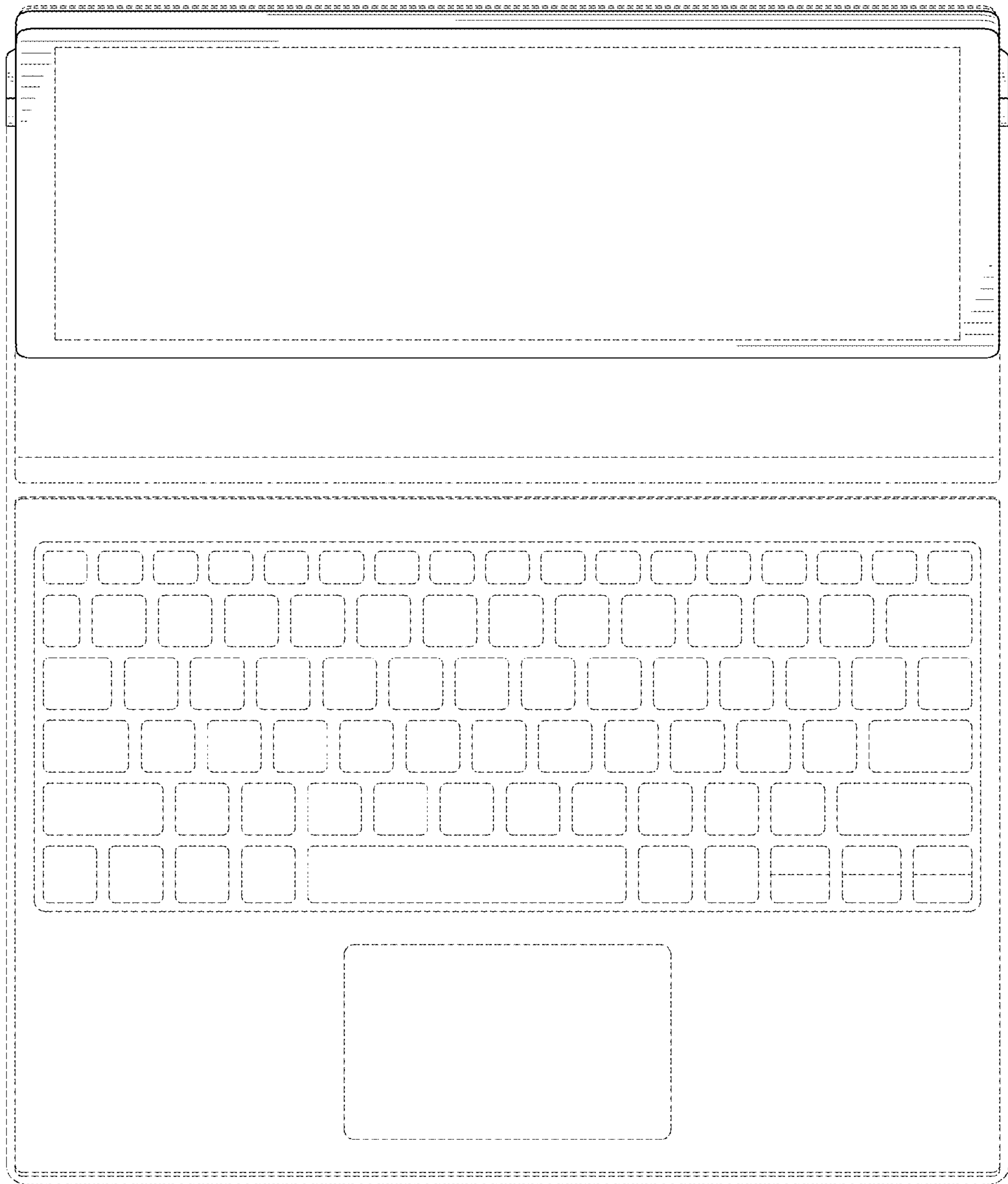


FIG. 23

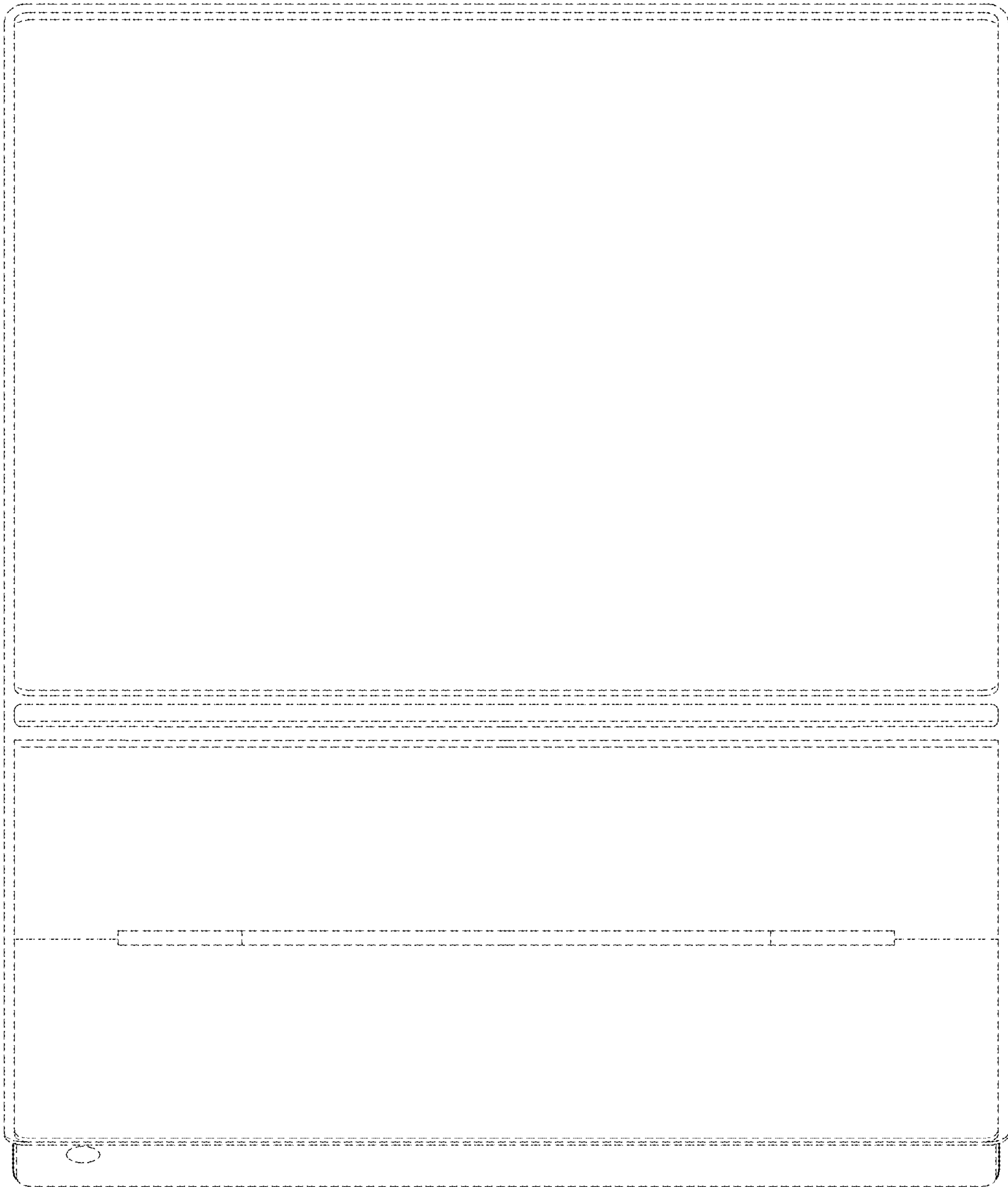


FIG. 24

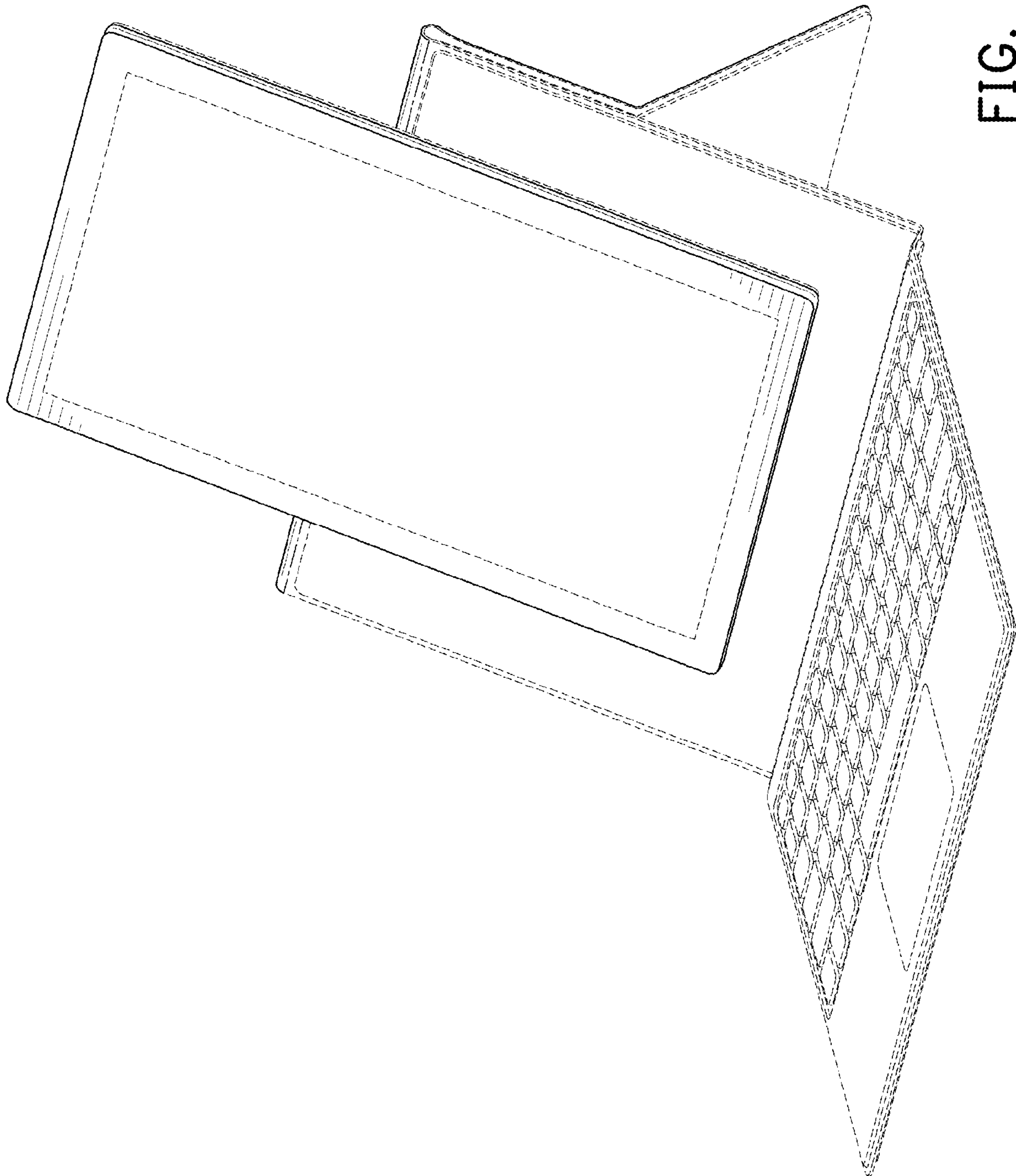


FIG. 25

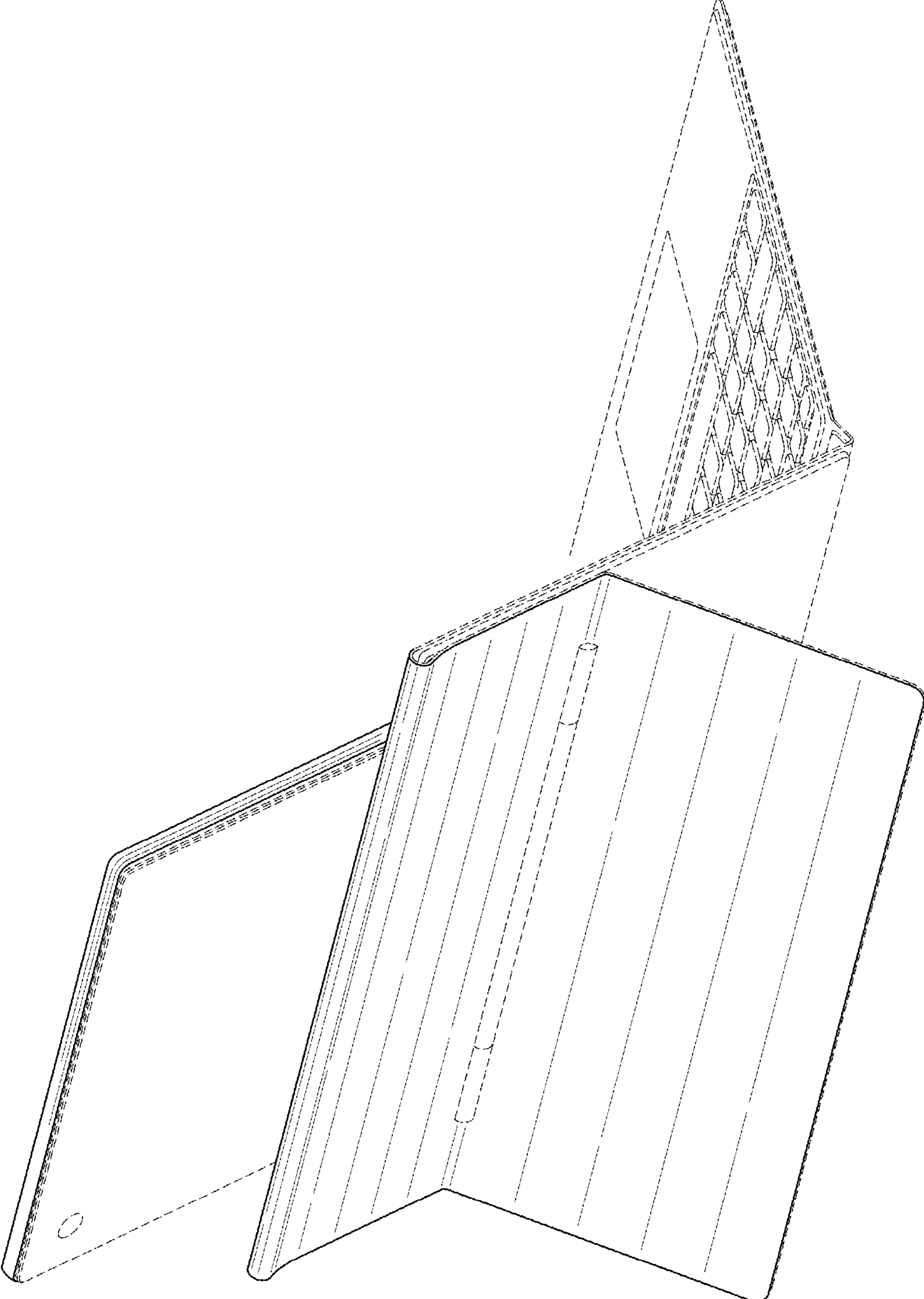


FIG. 26

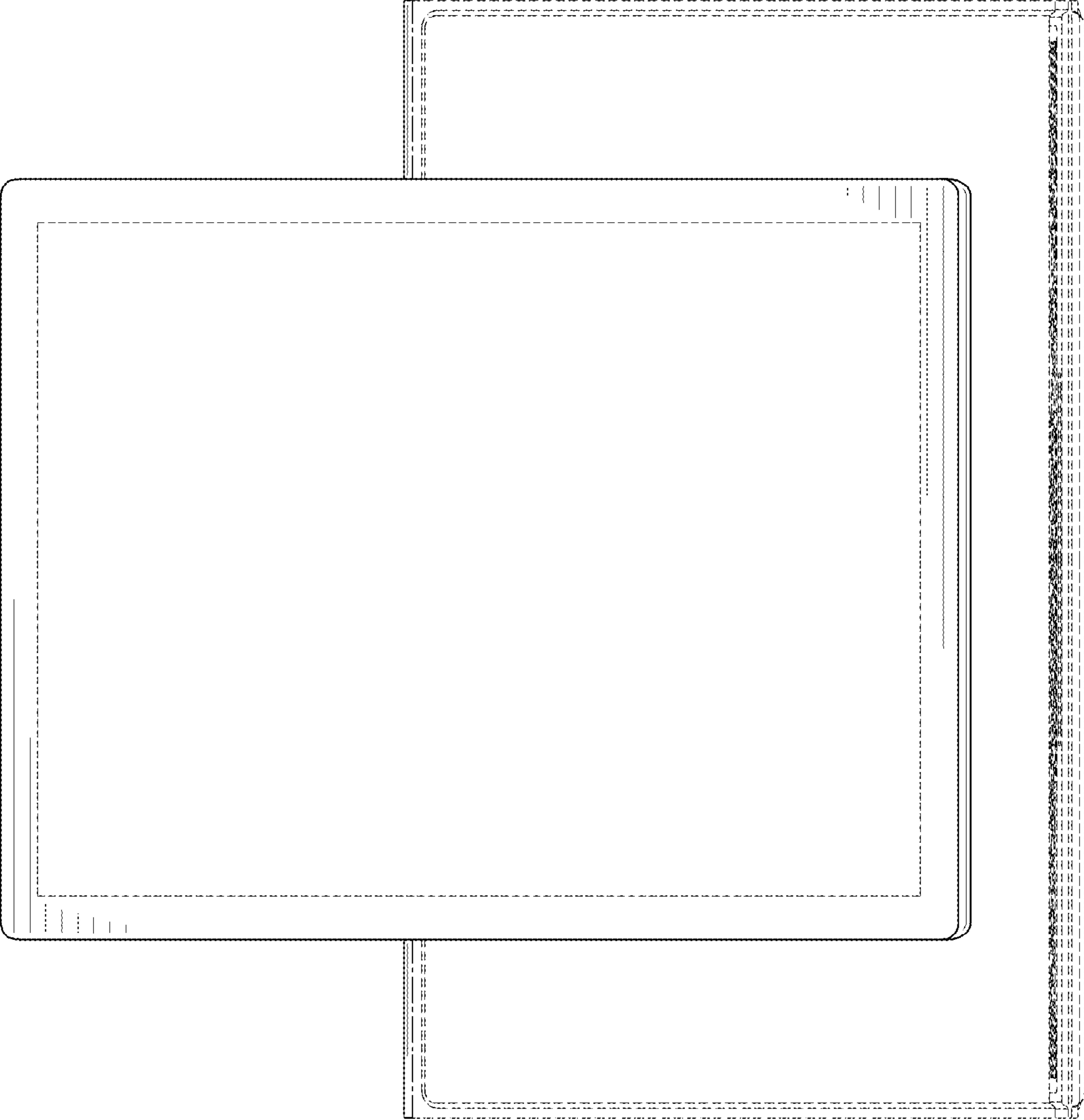


FIG. 27

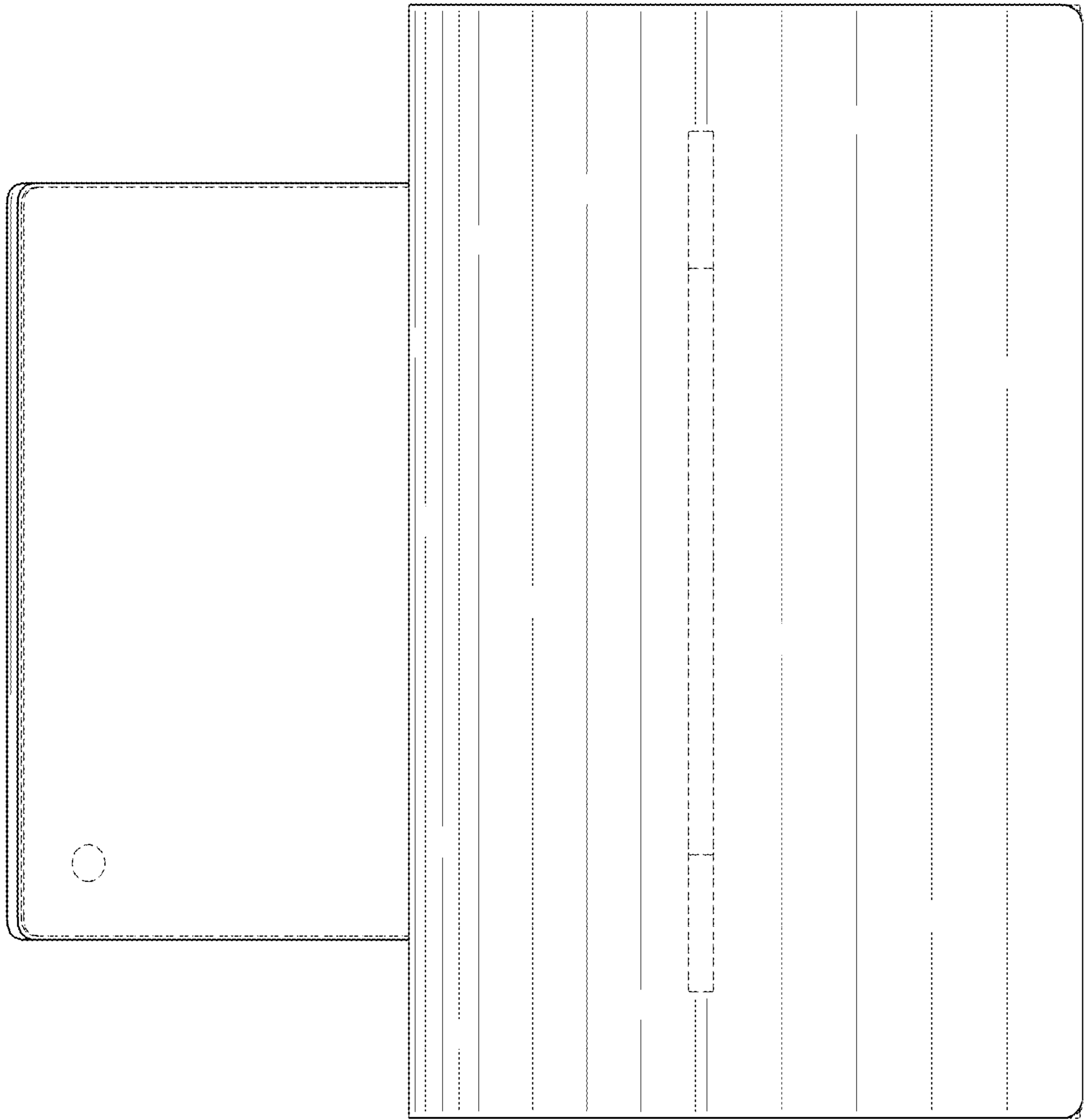


FIG. 28

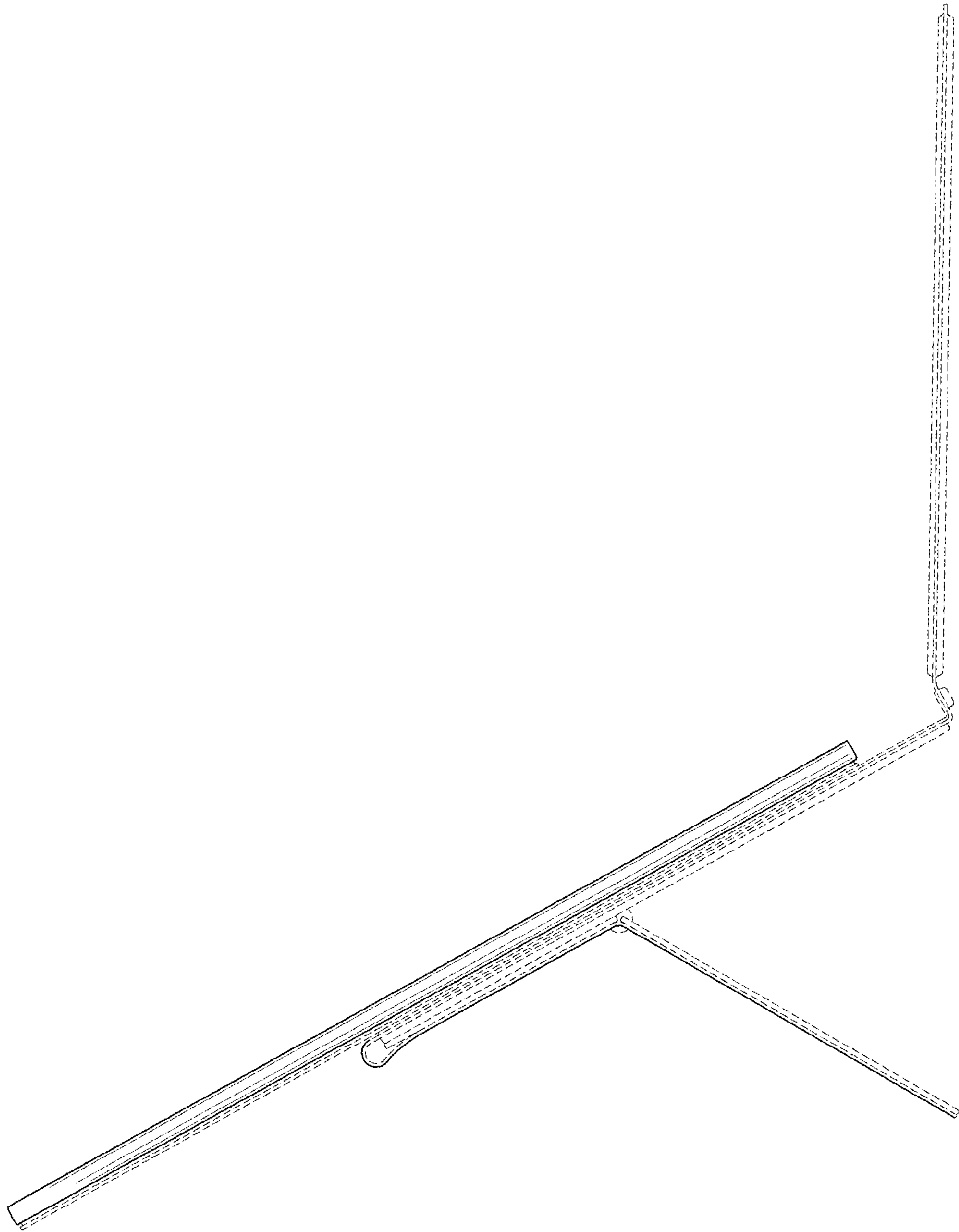


FIG. 29

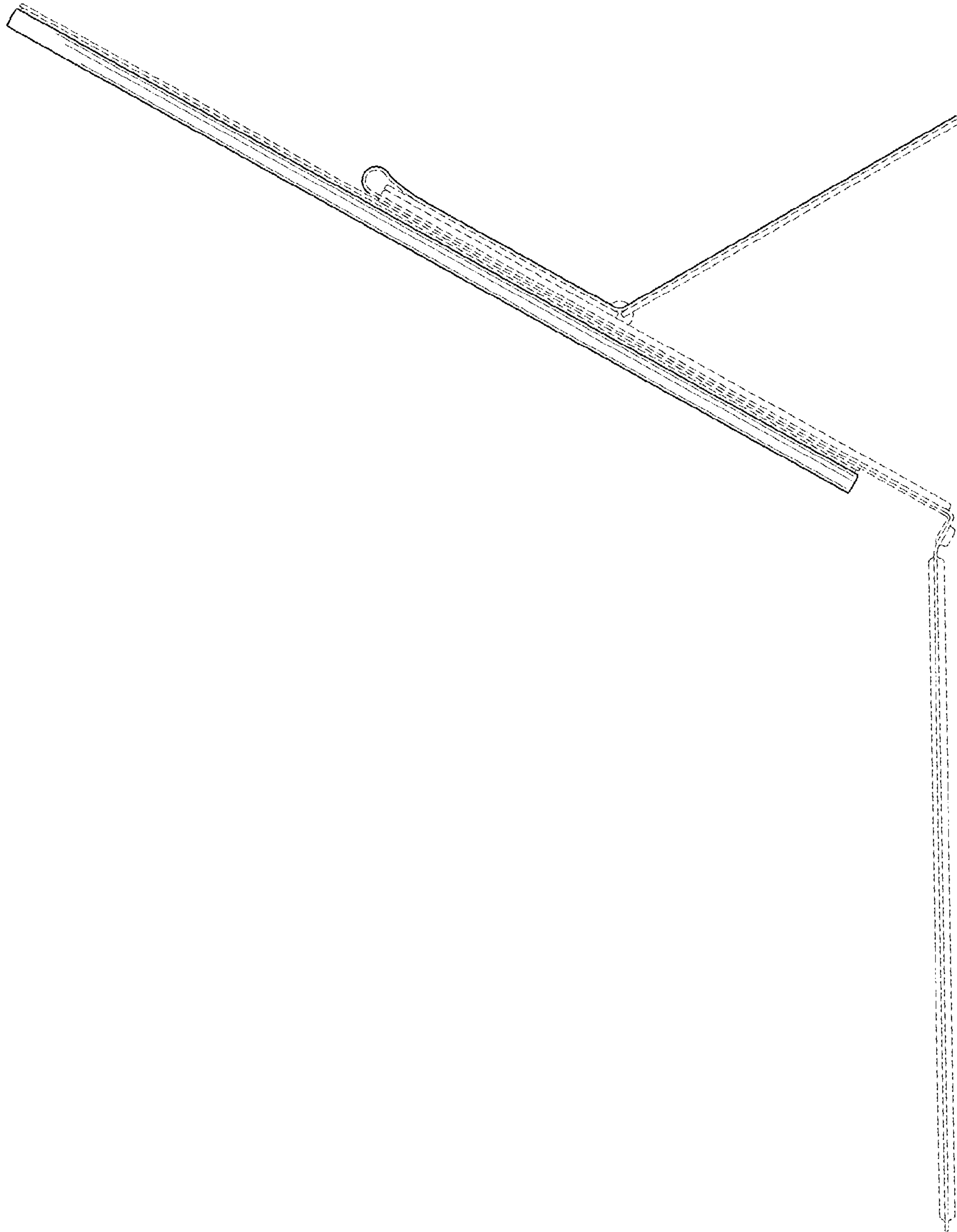


FIG. 30

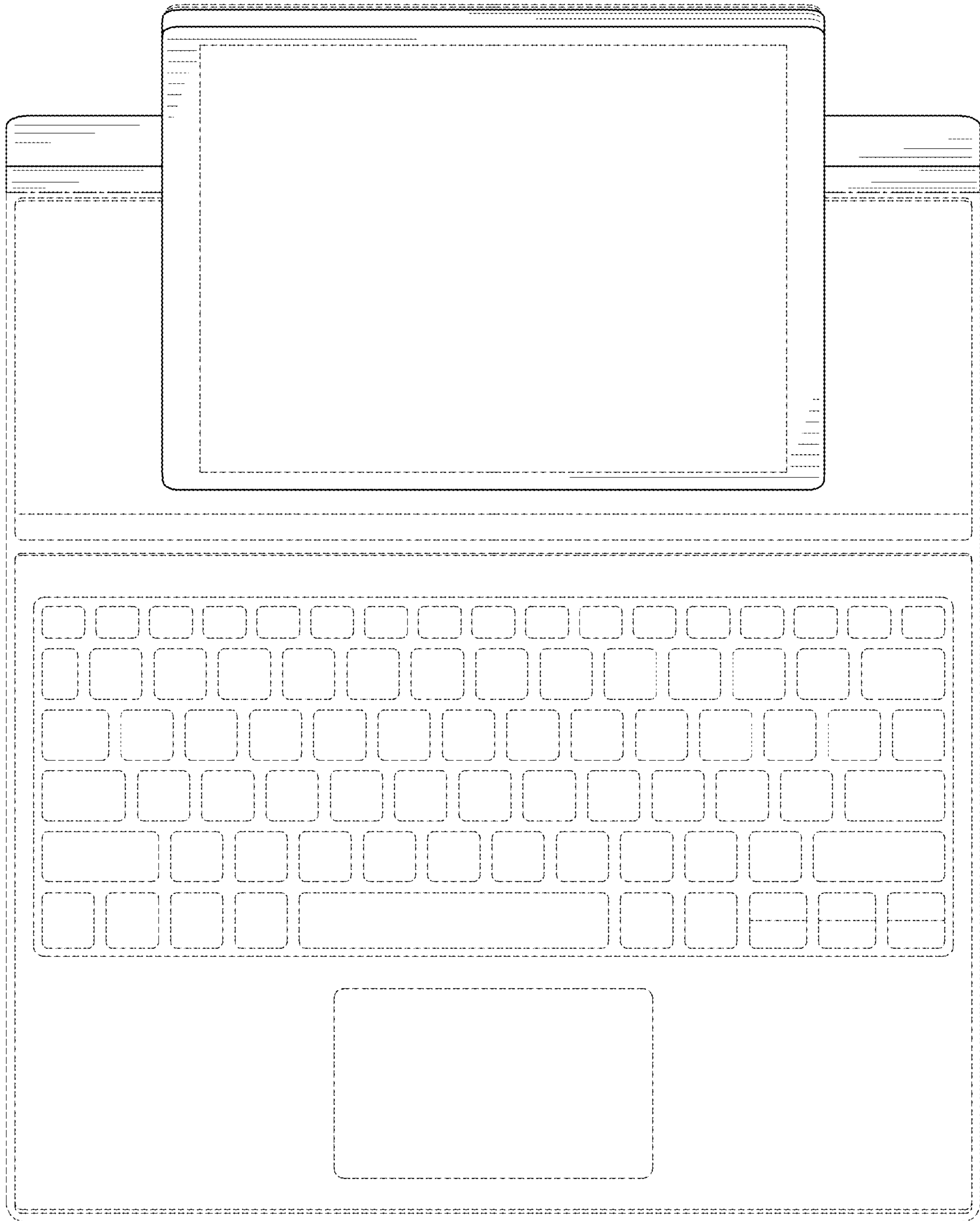


FIG. 31

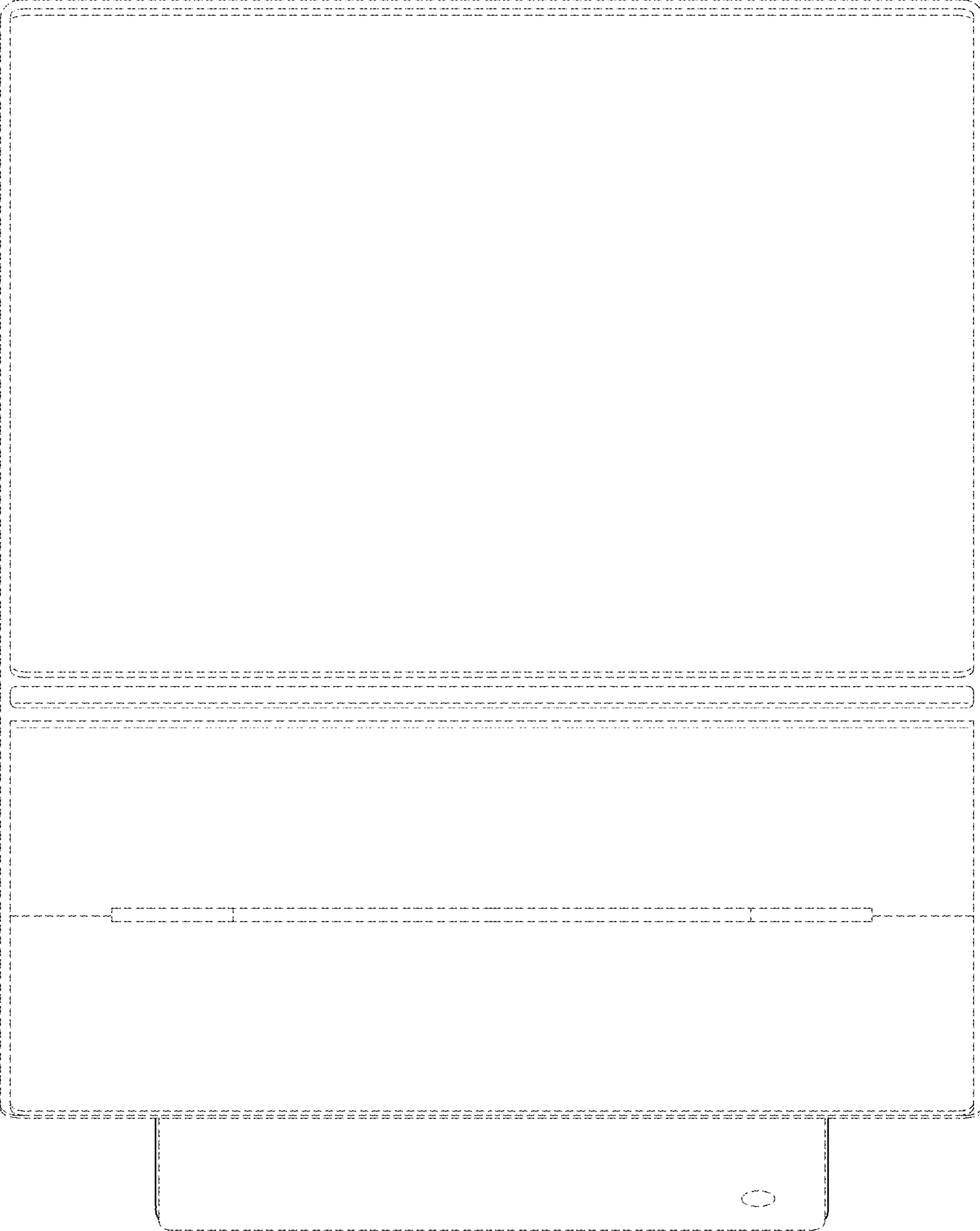


FIG. 32