



US00D949843S

(12) **United States Design Patent**
Chen

(10) **Patent No.:** **US D949,843 S**

(45) **Date of Patent:** **** Apr. 26, 2022**

(54) **MOBILE PHONE HOLDER**

(71) Applicant: **Bishan Chen**, Guangzhou (CN)

(72) Inventor: **Bishan Chen**, Guangzhou (CN)

(73) Assignee: **Shenzhen Junshengchangzheng Electronic Technology Co., Ltd.**, Shenzhen (CN)

(**) Term: **15 Years**

(21) Appl. No.: **29/777,456**

(22) Filed: **Apr. 6, 2021**

(51) **LOC (13) Cl.** **14-03**

(52) **U.S. Cl.**
USPC **D14/253**

(58) **Field of Classification Search**
USPC D14/251–253, 447; D3/218; D12/415
CPC H04B 1/3888; A45C 11/00; F16C 11/04;
F16M 11/04; F16M 11/10; F16M 13/02
See application file for complete search history.

(56) **References Cited**

U.S. PATENT DOCUMENTS

D308,205 S *	5/1990	Tholberg	379/455
D321,351 S *	11/1991	Kirchner	D14/251
D522,843 S *	6/2006	Richter	D8/363
D569,876 S *	5/2008	Griffin	D13/107
D654,054 S *	2/2012	Kohte	F16M 13/022 D14/217
D713,398 S *	9/2014	Alesi	D14/253
D714,775 S *	10/2014	Yoo	D14/253

D723,311 S *	3/2015	Jiang	D6/681
D724,072 S *	3/2015	Jiang	D14/253
D731,973 S *	6/2015	Liu	D13/144
D769,235 S *	10/2016	Li	D14/253
D777,675 S *	1/2017	Miller	D13/144
D795,882 S *	8/2017	Maldonado	D14/447
D799,467 S *	10/2017	Lou	D14/253
D835,113 S *	12/2018	Kim	D14/447
D840,409 S *	2/2019	Miller	D14/447
D865,747 S *	11/2019	Sage	D14/253
D885,377 S *	5/2020	Hu	D14/253
D889,382 S	7/2020	Lan	
D907,027 S *	1/2021	Halpern	D14/253
D934,234 S *	10/2021	Deng	D14/253
D934,851 S *	11/2021	Kaiser	D14/253

* cited by examiner

Primary Examiner — Janice Hallmark

(74) *Attorney, Agent, or Firm* — Justin Lampel

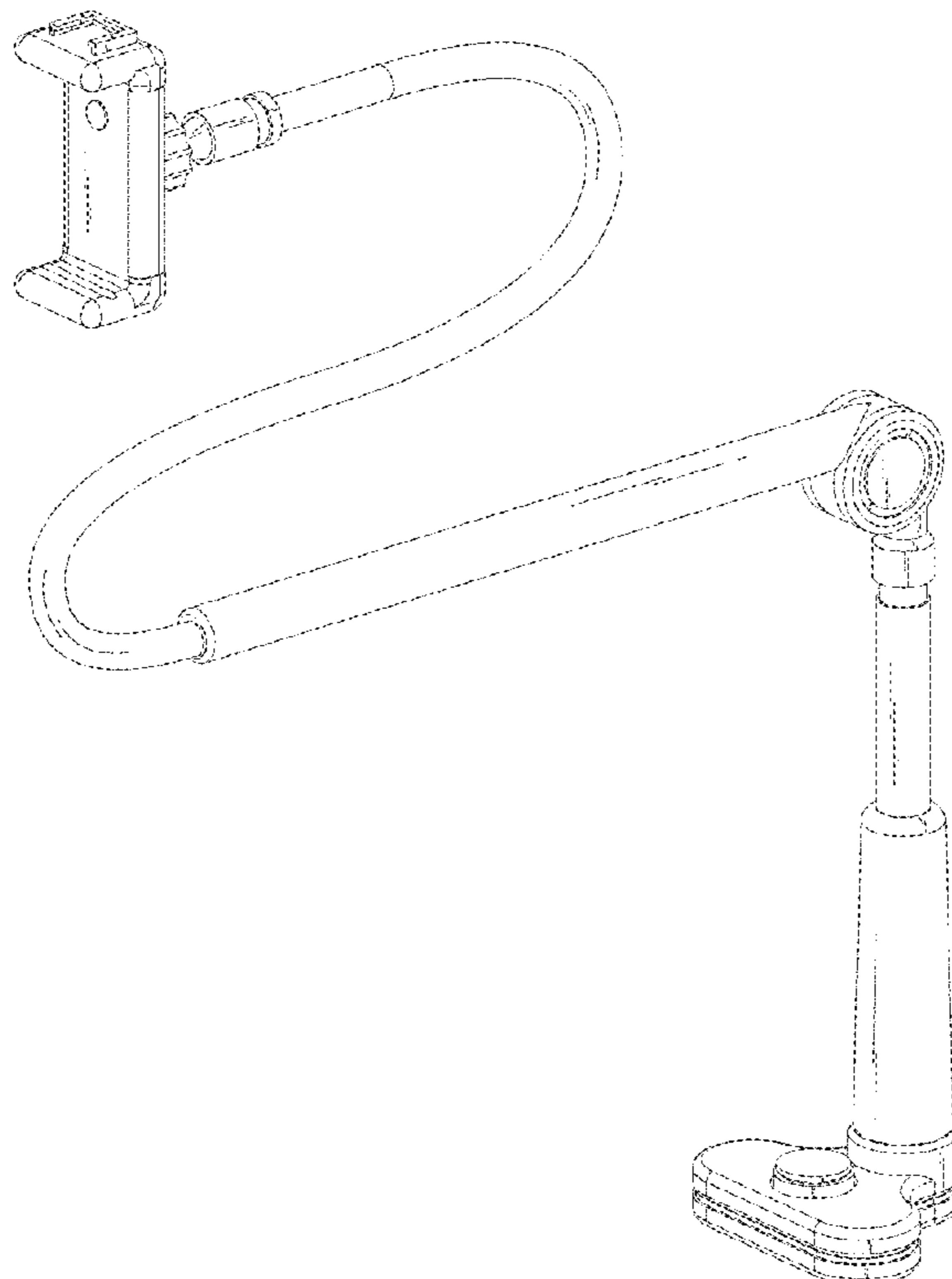
(57) **CLAIM**

The ornamental design for a mobile phone holder, as shown and described.

DESCRIPTION

FIG. 1 is a perspective view of a mobile phone holder showing the claimed design;
FIG. 2 is a top plan view thereof;
FIG. 3 is a left side view thereof;
FIG. 4 is a front elevational view thereof;
FIG. 5 is a right side view thereof;
FIG. 6 is a rear elevational view thereof; and,
FIG. 7 is a bottom plan view thereof.

1 Claim, 7 Drawing Sheets



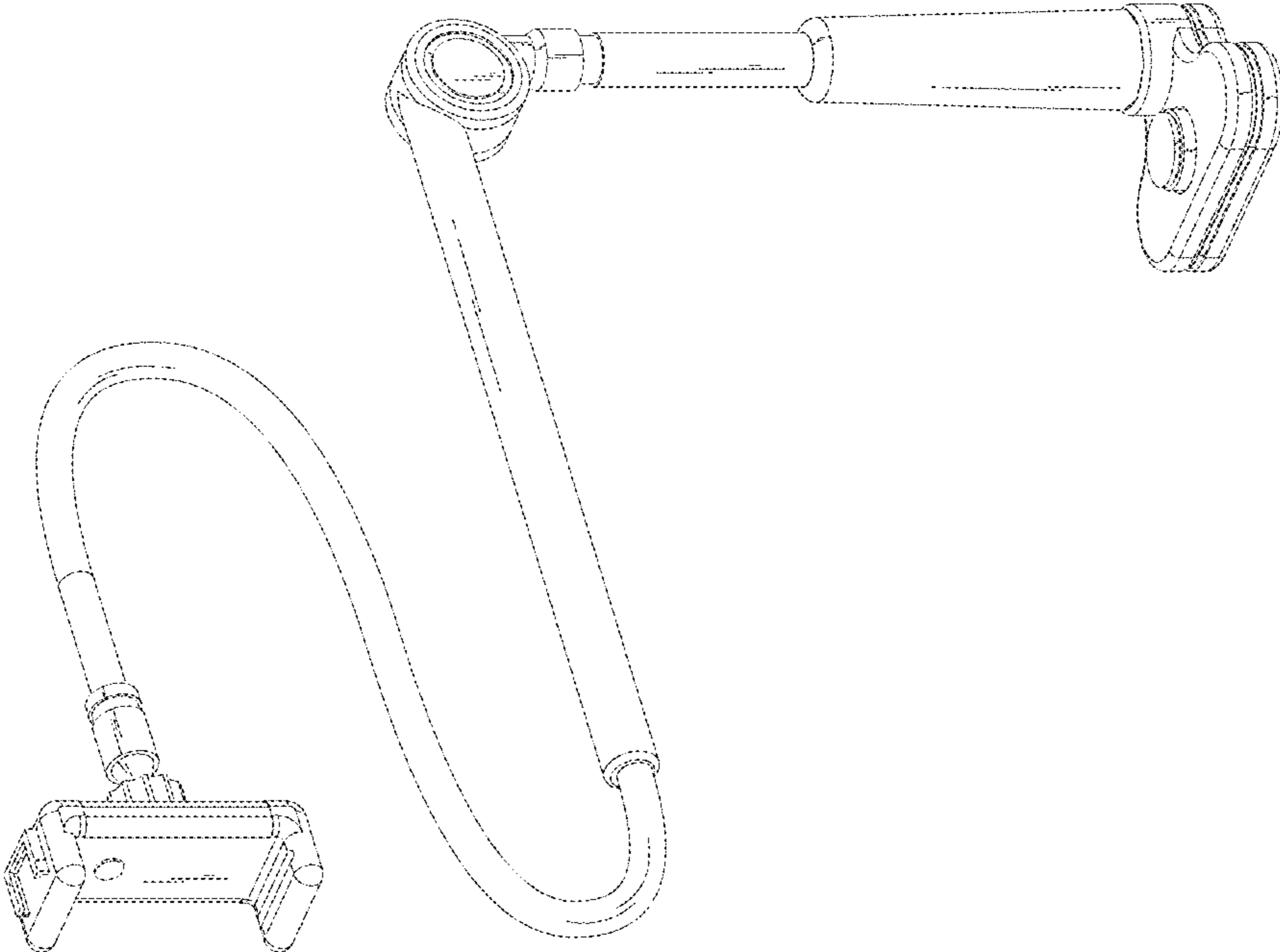


FIG. 1

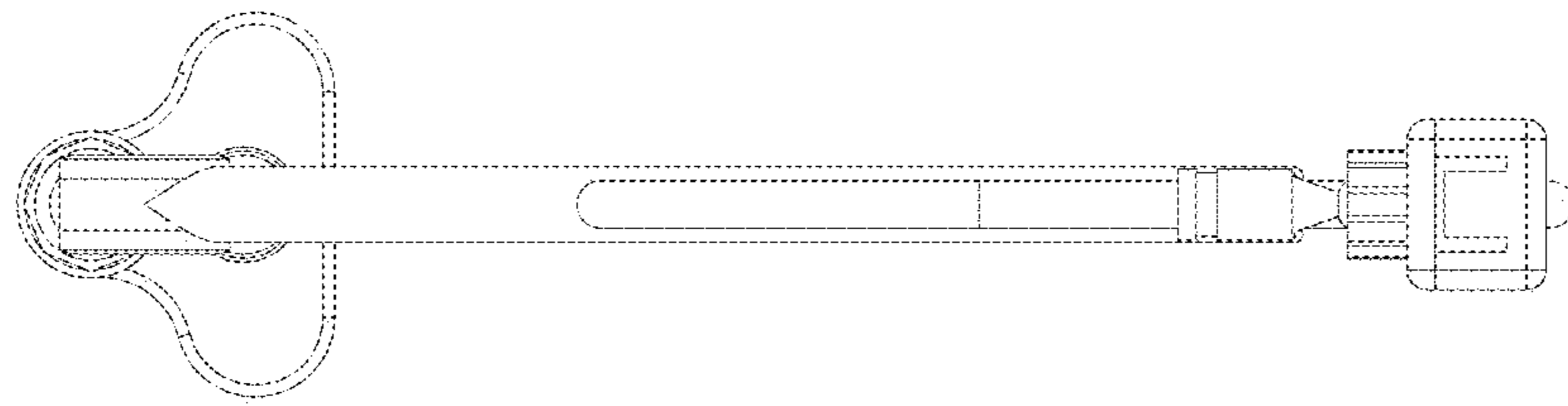


FIG. 2

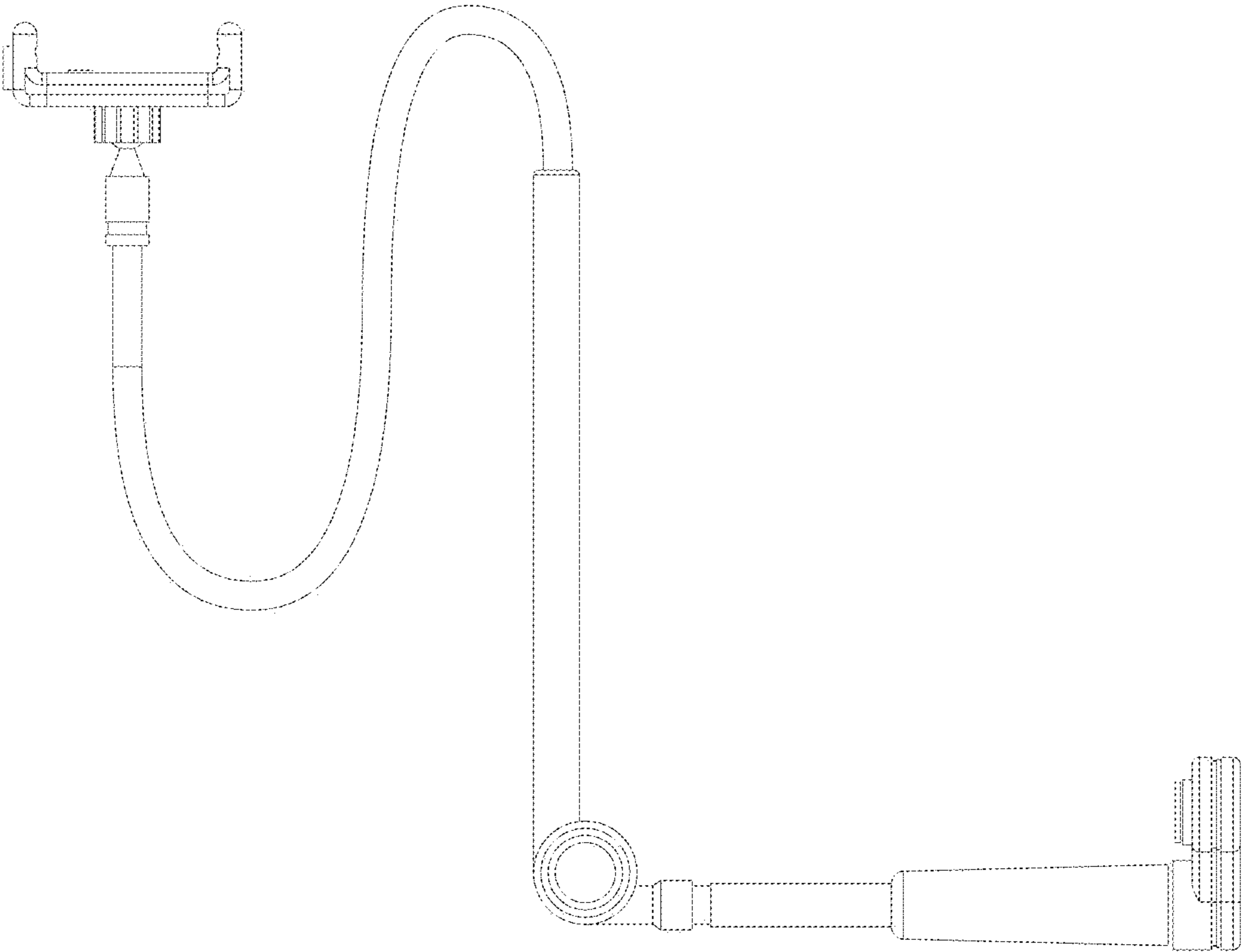


FIG. 3

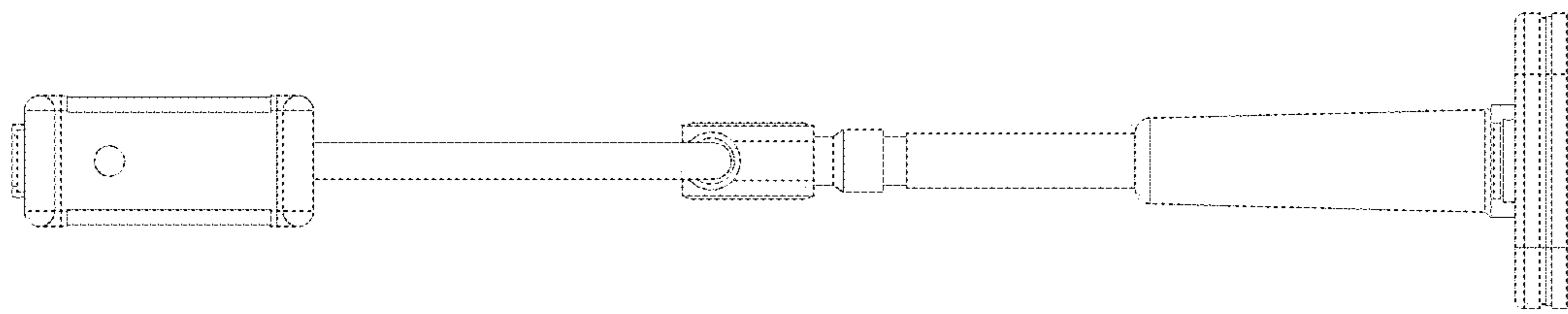


FIG. 4

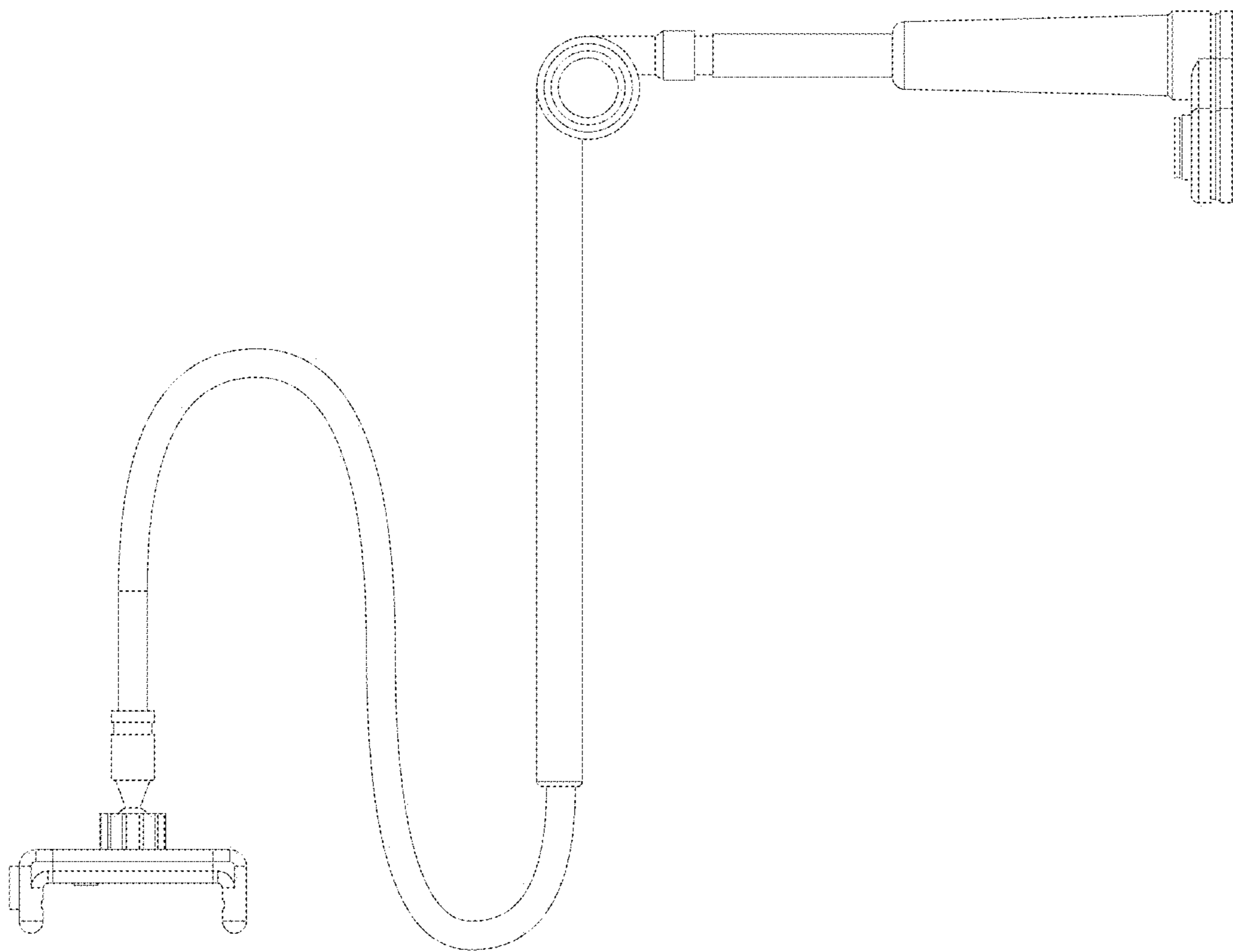


FIG. 5

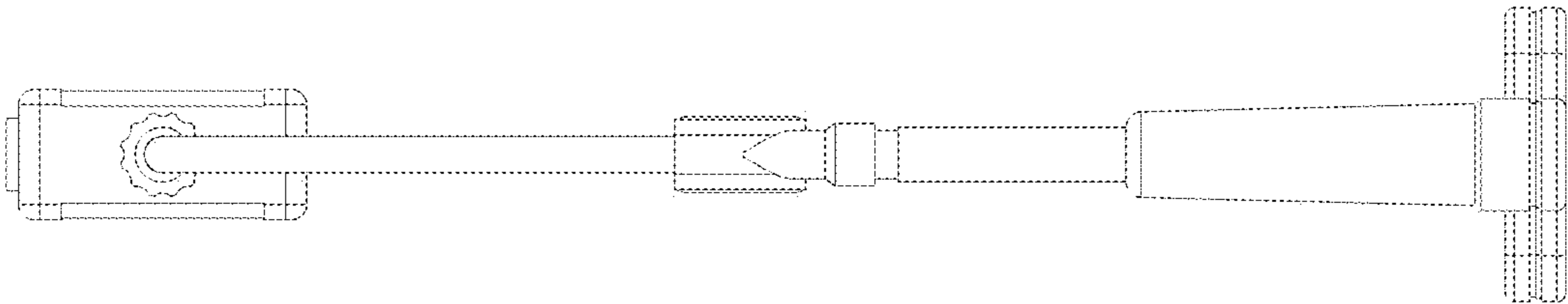


FIG. 6



FIG. 7