



US00D949842S

(12) **United States Design Patent**  
**Qiu**

(10) **Patent No.:** **US D949,842 S**  
(45) **Date of Patent:** **\*\* Apr. 26, 2022**

(54) **PHONE HOLDER**

(71) Applicant: **Shenzhen GUB Bike Trading Co., Ltd.**, Shenzhen (CN)

(72) Inventor: **Yaofeng Qiu**, Shenzhen (CN)

(73) Assignee: **SHENZHEN GUB BIKE TRADING CO., LTD.**, Shenzhen (CN)

(\*\*) Term: **15 Years**

(21) Appl. No.: **29/761,914**

(22) Filed: **Dec. 14, 2020**

(51) **LOC (13) Cl.** ..... **14-99**

(52) **U.S. Cl.**  
USPC ..... **D14/253**; D12/407

(58) **Field of Classification Search**  
USPC .... D14/251–253, 224, 224.1, 432–434, 447, D14/451, 452; D12/415, 426.1, 223, 406, D12/407, 114; D16/242, 244, 245; D3/218; D13/108  
CPC ..... B60R 11/00; B60R 11/02; B60R 11/0241; B60R 11/0252; B60R 2011/0003; B60R 2011/0005; B60R 2011/0008; H04M 1/04; F16M 11/00; F16M 11/04; F16M 11/041; F16M 11/06; H05K 5/0204  
See application file for complete search history.

(56) **References Cited**

**U.S. PATENT DOCUMENTS**

D508,605 S	*	8/2005	Hwang	.....	D3/218
D529,713 S	*	10/2006	Guyot	.....	D3/218
D710,363 S	*	8/2014	Wengreen	.....	D8/380
D772,859 S	*	11/2016	Alesi	.....	D14/253
D860,915 S	*	9/2019	Tang	.....	D12/407
D894,168 S	*	8/2020	Lou	.....	D14/253
D903,652 S	*	12/2020	Qiu	.....	D14/253
D928,041 S	*	8/2021	Jones	.....	D12/114
D931,270 S	*	9/2021	Qiu	.....	D14/253

D931,849 S	*	9/2021	Qiu	.....	D14/253
D934,233 S	*	10/2021	Iverson	.....	D14/253
2013/0105644 A1	*	5/2013	Yu	.....	F16M 11/14 248/125.7

**FOREIGN PATENT DOCUMENTS**

CN	305188920	*	5/2019
CN	305611180	*	2/2020
CN	305611182	*	2/2020
CN	305611226	*	2/2020
CN	305734983	*	4/2020
CN	305956930	*	7/2020
KR	301005857.0000	*	5/2019

**OTHER PUBLICATIONS**

GUB Plus 9 Metal Rotatable universal phone holder [online] posted by GUB Bike. Posted Aug. 6, 2019. [Retrieved from the Internet Feb. 8, 2022.] <URL: <https://www.youtube.com/watch?v=Ops6iv4IDuE> >.\*

\* cited by examiner

*Primary Examiner* — Rebekah A Caruso

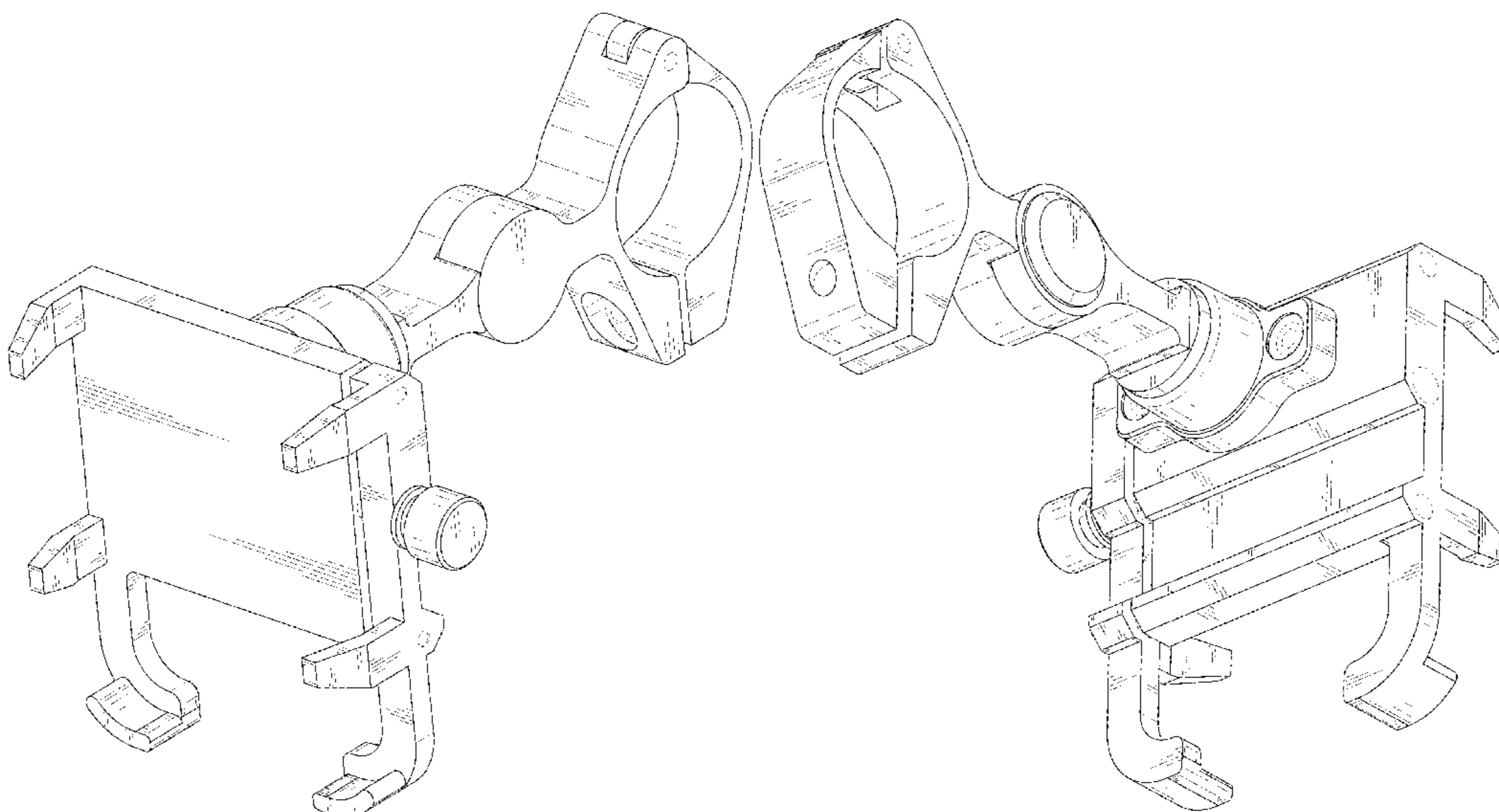
(57) **CLAIM**

The ornamental design for a phone holder, as shown and described.

**DESCRIPTION**

FIG. 1 is a perspective view of a phone holder showing my new design;  
FIG. 2 is another perspective view thereof;  
FIG. 3 is a front elevational view thereof;  
FIG. 4 is a rear elevational view thereof;  
FIG. 5 is a left side elevational view thereof;  
FIG. 6 is a right side elevational view thereof;  
FIG. 7 is a top plan view thereof; and,  
FIG. 8 is a bottom plan view thereof.  
The broken lines in the drawings are for the purpose of illustrating portions of the phone holder that form no part of the claimed design.

**1 Claim, 8 Drawing Sheets**



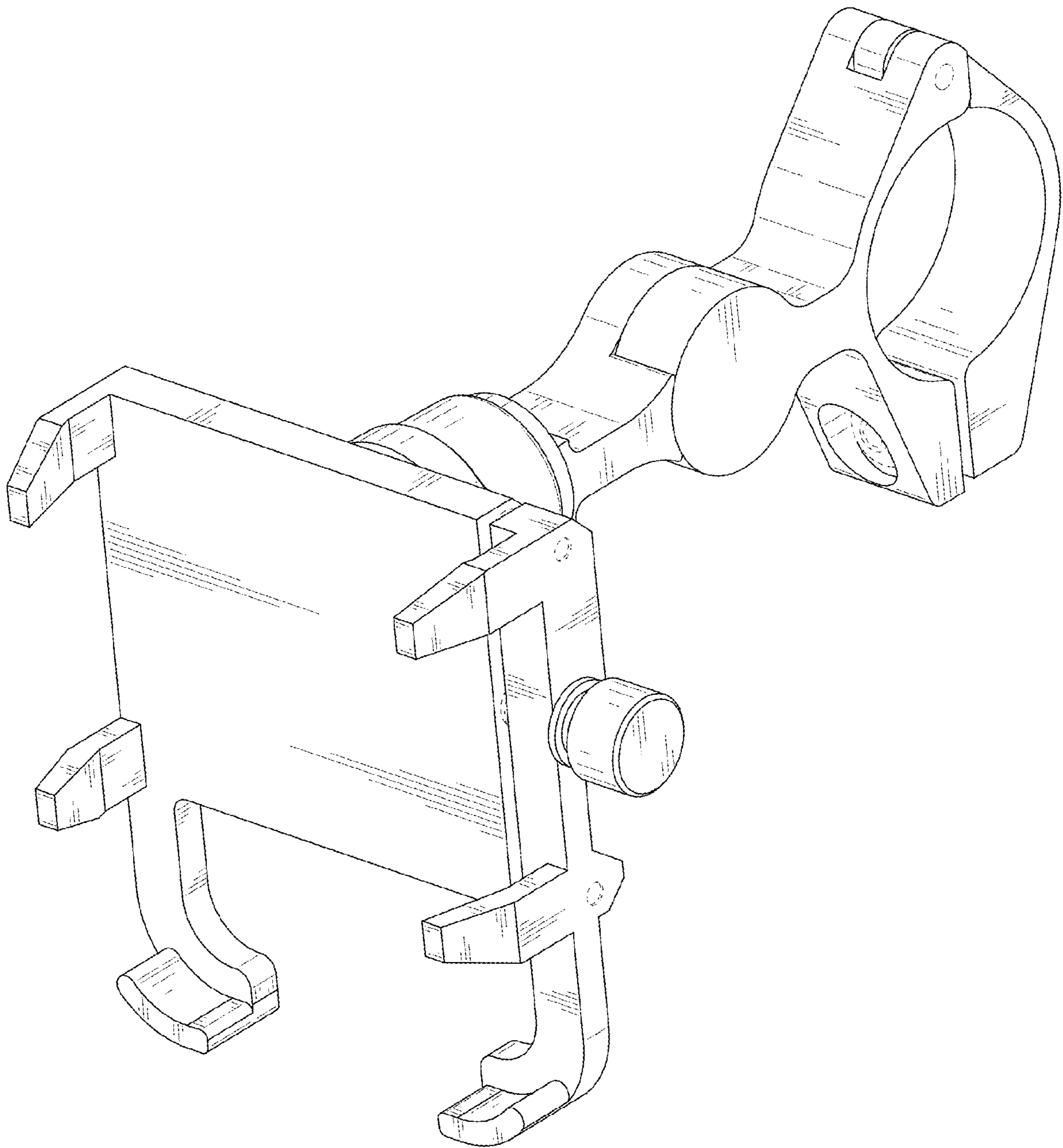


FIG. 1

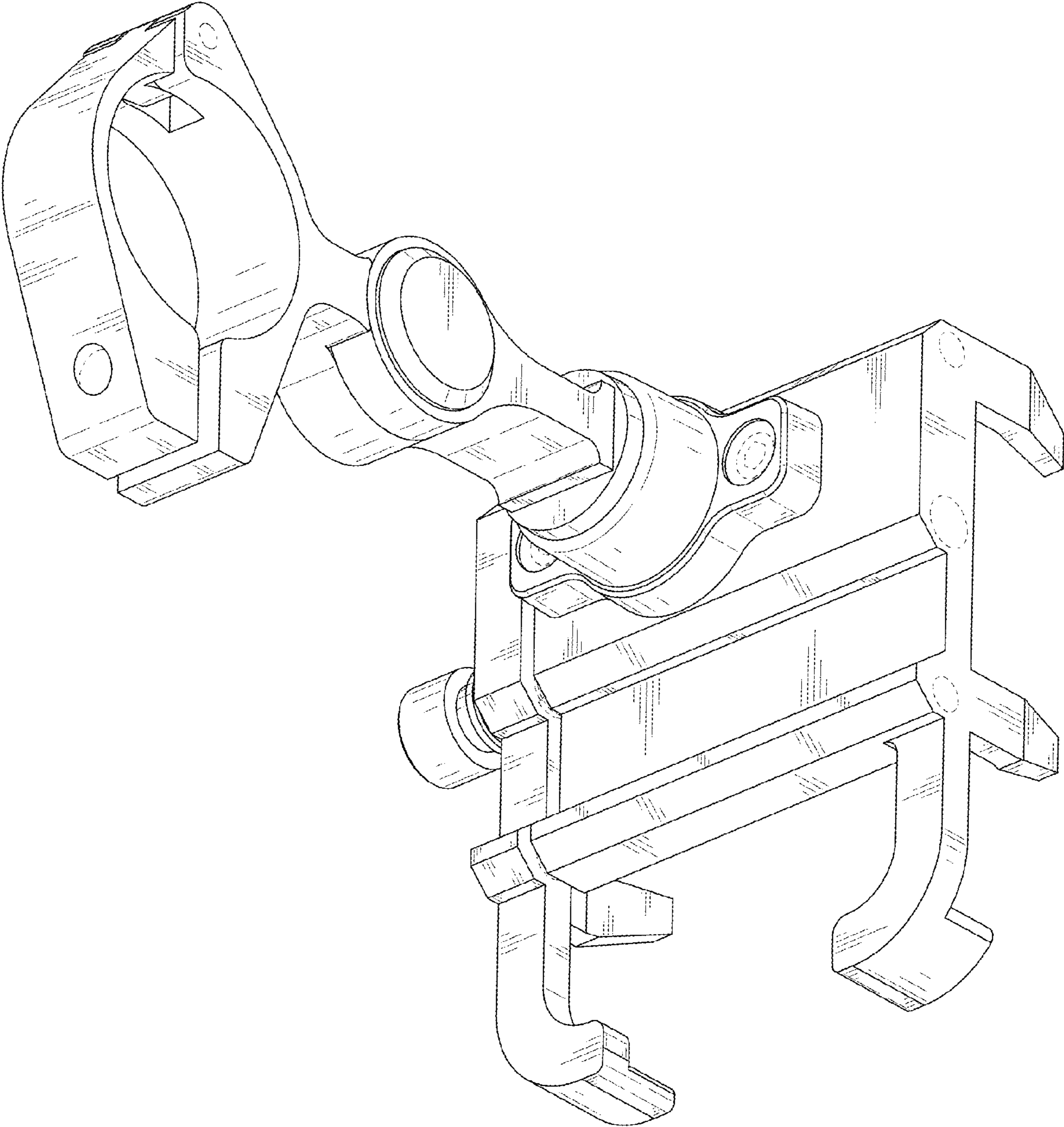


FIG. 2

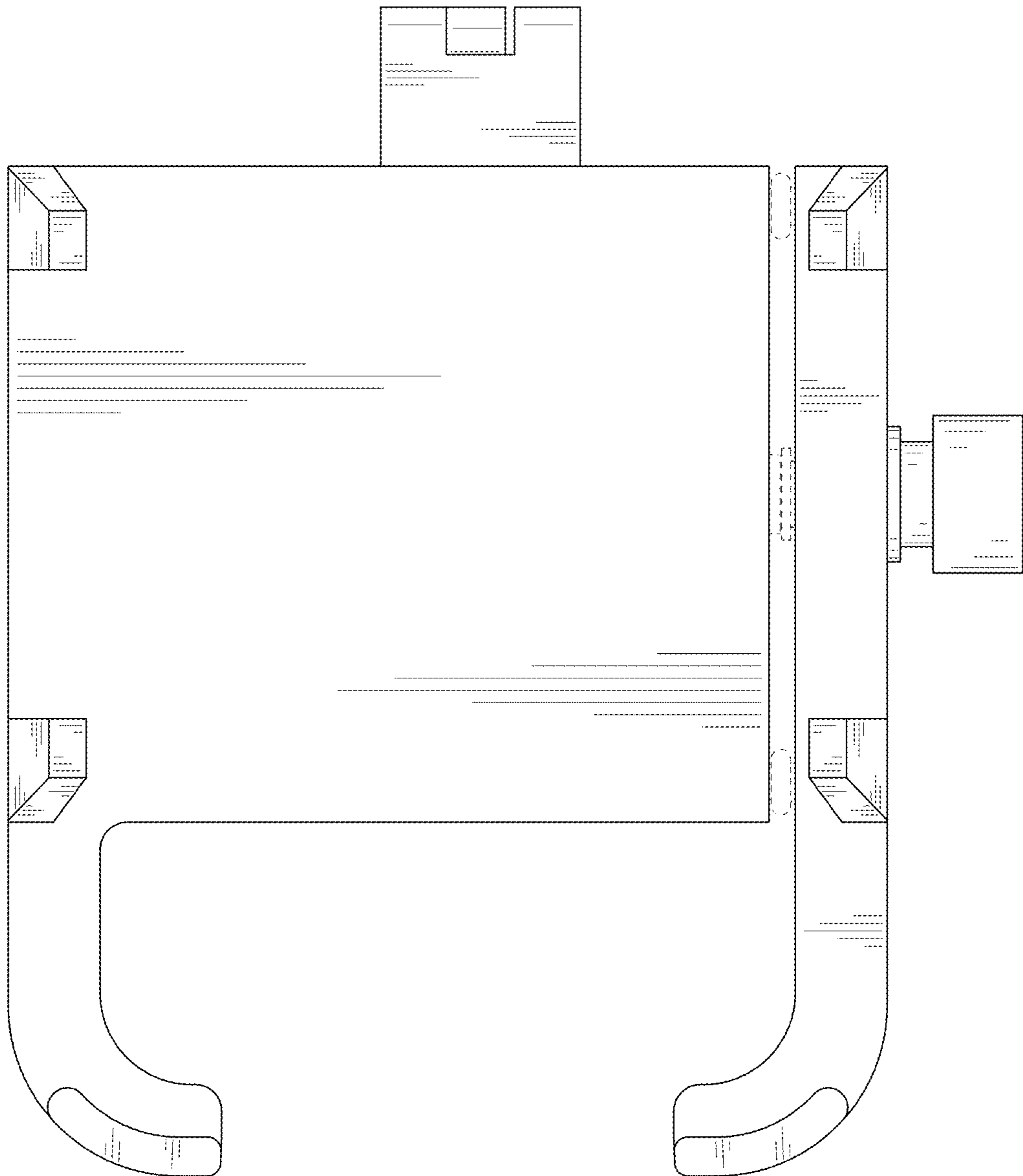


FIG. 3

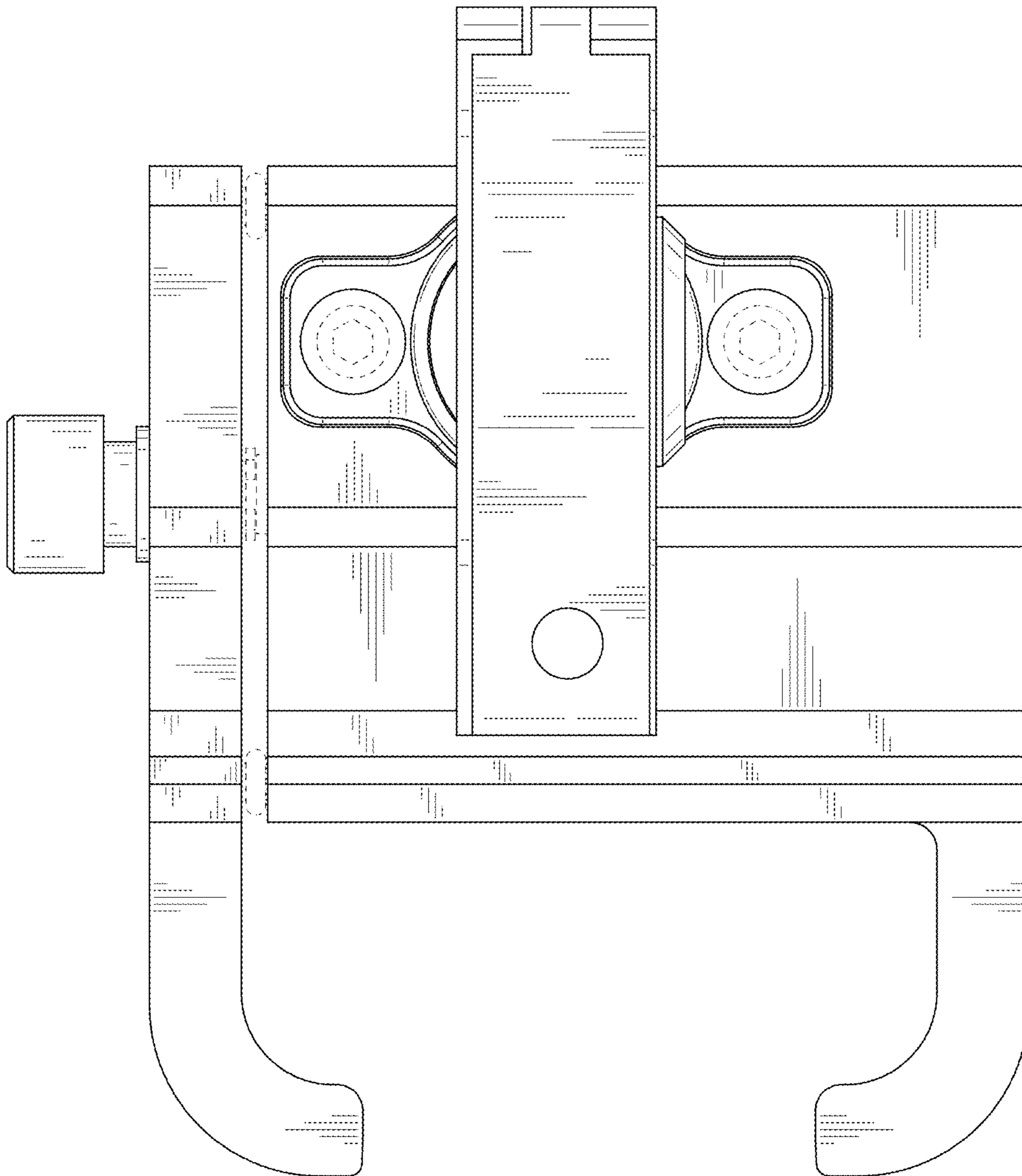


FIG. 4

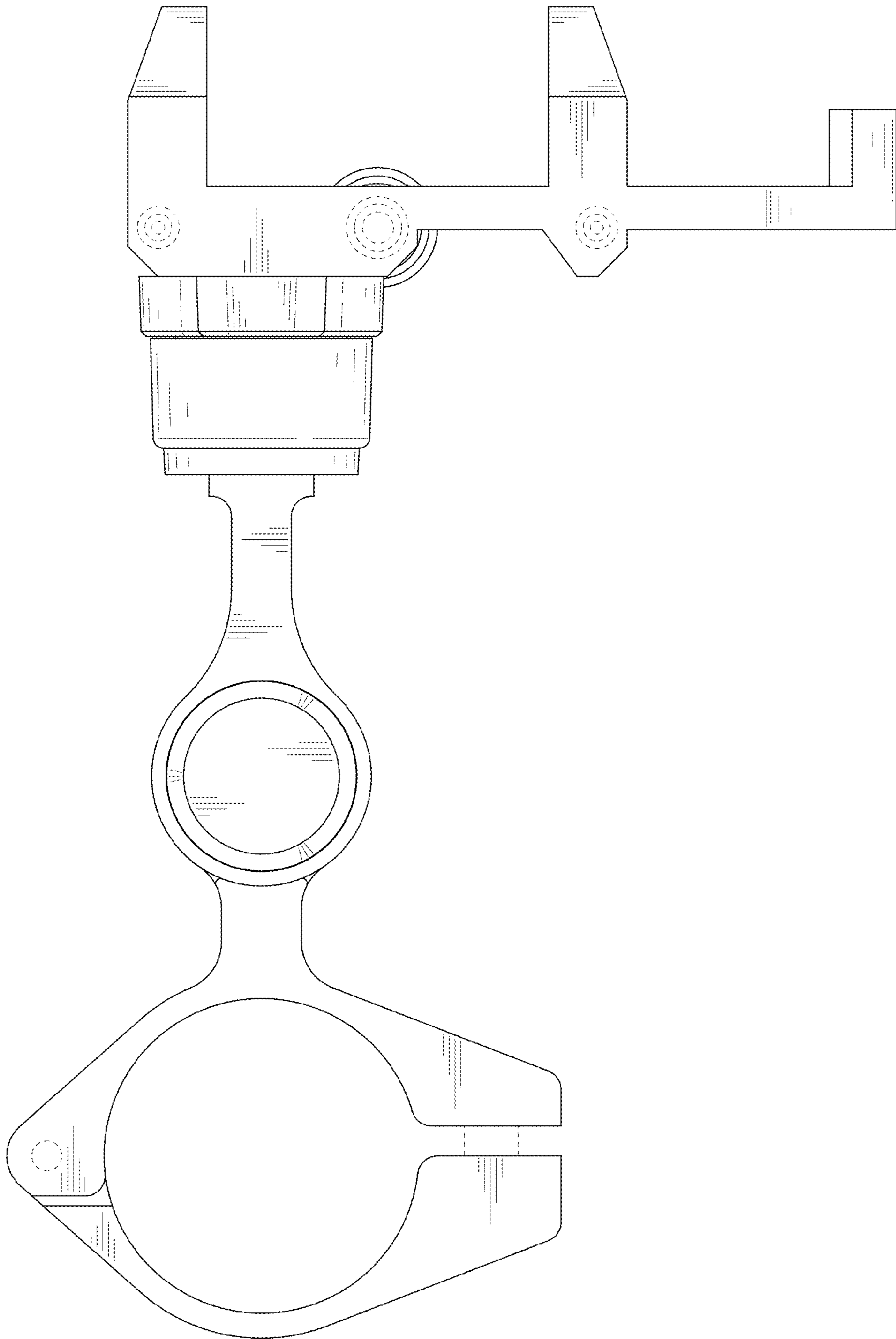


FIG. 5

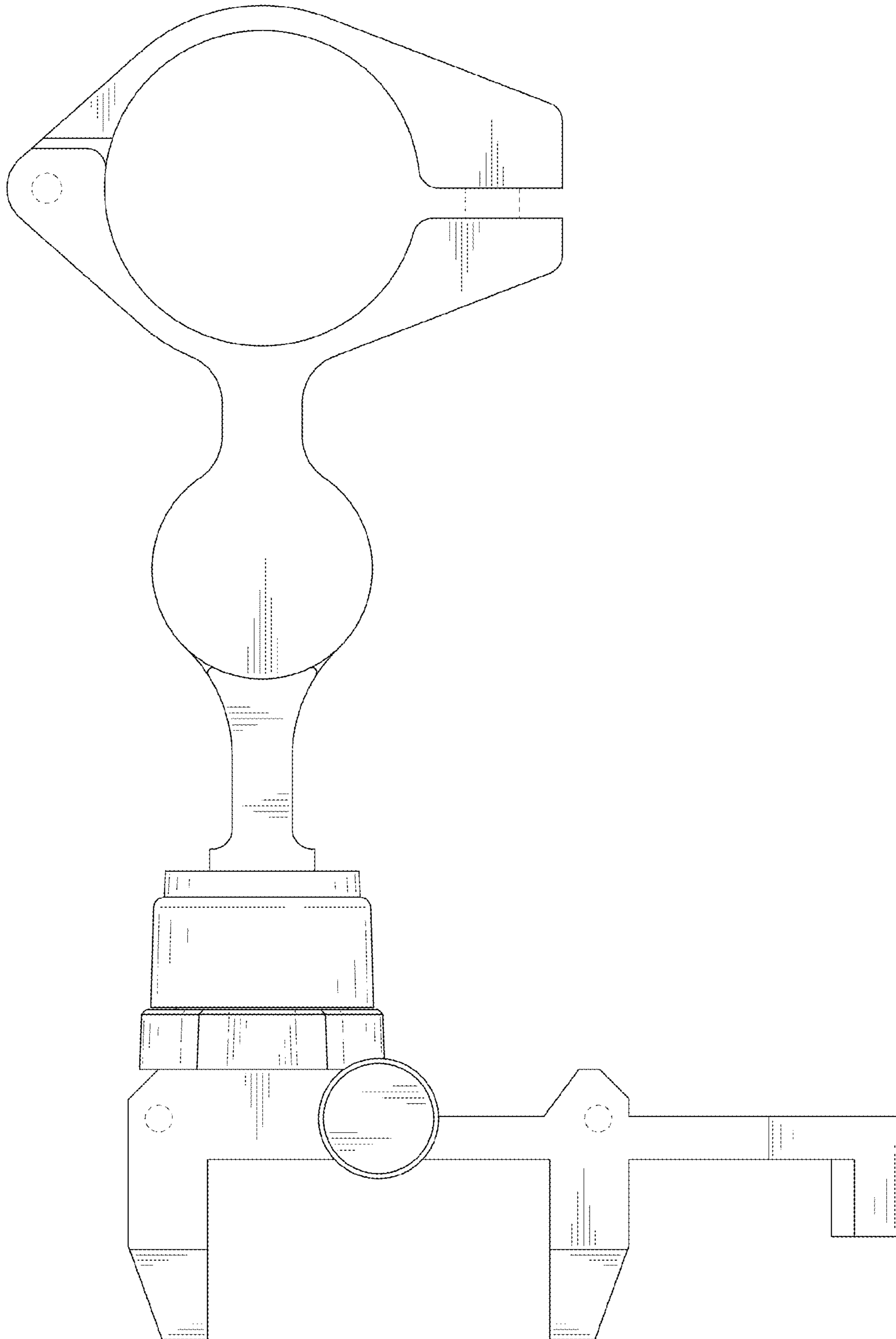


FIG. 6

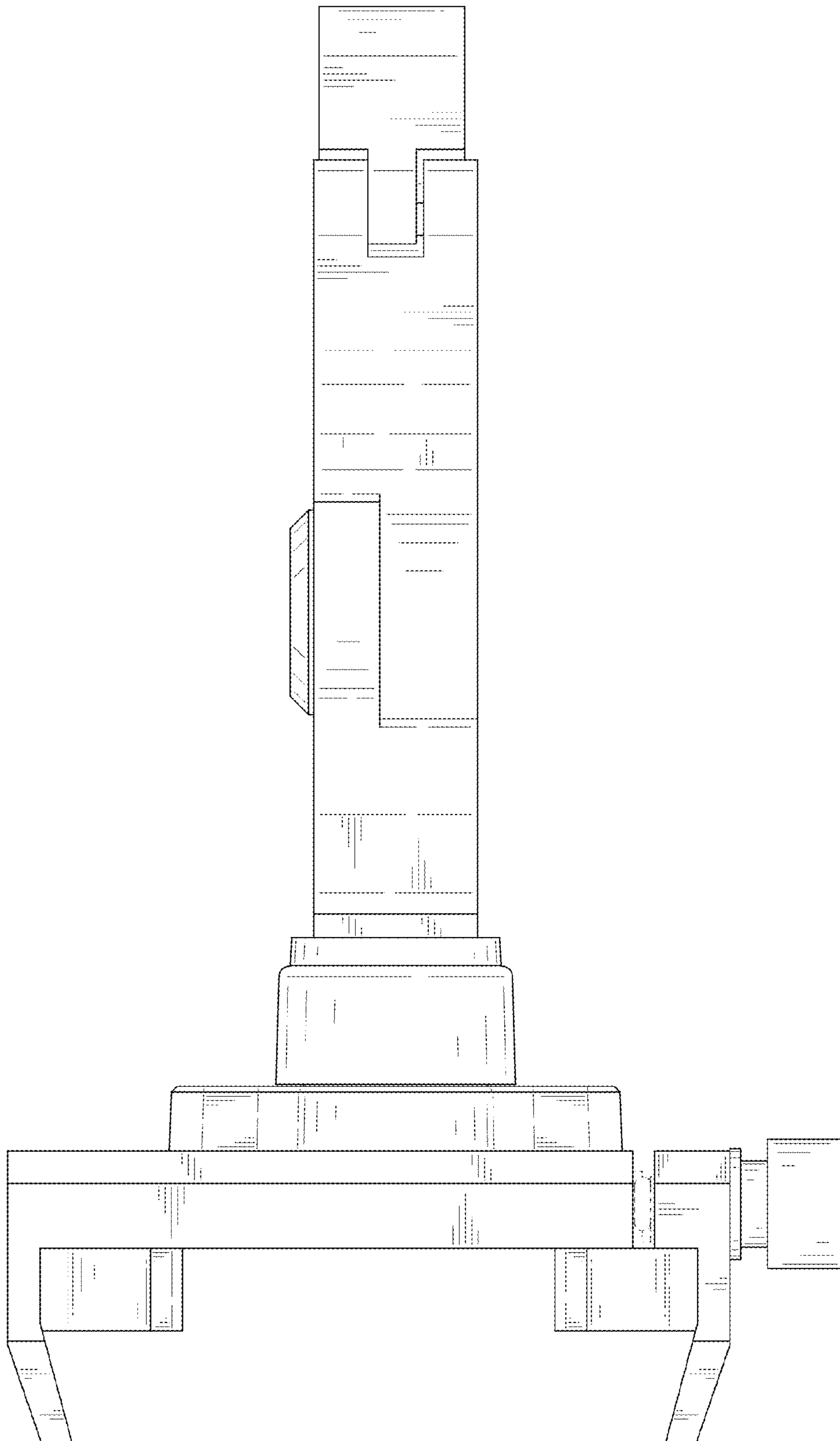


FIG. 7



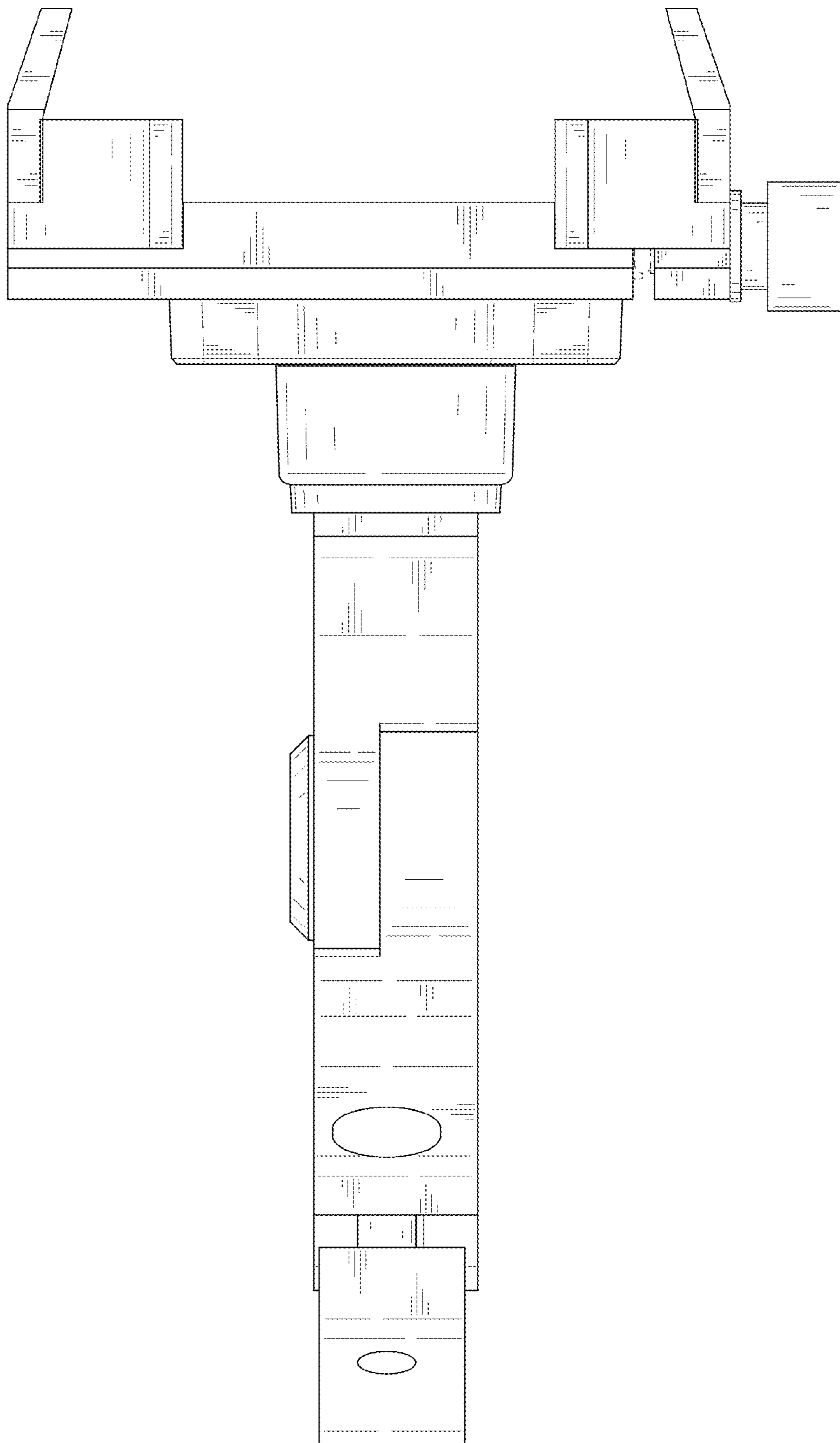


FIG. 8