



US00D949841S

(12) **United States Design Patent**
Qiu

(10) **Patent No.:** **US D949,841 S**
(45) **Date of Patent:** **** Apr. 26, 2022**

(54) **PHONE HOLDER**

(71) Applicant: **Shenzhen GUB Bike Trading Co., Ltd.**, Shenzhen (CN)

(72) Inventor: **Yaofeng Qiu**, Shenzhen (CN)

(73) Assignee: **SHENZHEN GUB BIKE TRADING CO., LTD.**, Shenzhen (CN)

(**) Term: **15 Years**

(21) Appl. No.: **29/741,970**

(22) Filed: **Jul. 17, 2020**

(30) **Foreign Application Priority Data**

May 7, 2020 (CN) 202030198523.8

(51) **LOC (13) Cl.** **14-99**

(52) **U.S. Cl.**
USPC **D14/253; D12/407**

(58) **Field of Classification Search**
USPC D14/251-253, 224, 224.1, 432-434, 447, D14/451, 452; D12/415, 426.1, 223, 406, D12/407, 114; D16/242, 244, 245; D3/218; D13/108
CPC B60R 11/00; B60R 11/02; B60R 11/0241; B60R 11/0252; B60R 2011/0003; B60R 2011/0005; B60R 2011/0008; H04M 1/04; F16M 11/00; F16M 11/04; F16M 11/041; F16M 11/06; H05K 5/0204
See application file for complete search history.

(56) **References Cited**

U.S. PATENT DOCUMENTS

D508,605 S * 8/2005 Hwang D3/218
D529,713 S * 10/2006 Guyot D3/218
D529,905 S * 10/2006 Richter D14/447
D530,713 S * 10/2006 Richter D14/447
D710,363 S * 8/2014 Wengreen D8/380
D772,859 S * 11/2016 Alesi D14/253

D860,915 S * 9/2019 Tang D12/407
D894,168 S * 8/2020 Lou D14/253
D903,652 S * 12/2020 Qiu D14/253
D928,041 S * 8/2021 Jones D12/114
D931,270 S * 9/2021 Qiu D14/253
D931,849 S * 9/2021 Qiu D14/253

(Continued)

FOREIGN PATENT DOCUMENTS

CN 305188920 * 5/2019
CN 305611180 * 2/2020
CN 305611182 * 2/2020

(Continued)

OTHER PUBLICATIONS

GUB Plus 9 Metal Rotatable universal phone holder [online] posted by GUB Bike. Posted Aug. 6, 2019. [Retrieved from the Internet Feb. 8, 2022.] <URL: <https://www.youtube.com/watch?v=Ops6iv4IDuE>>.*

Primary Examiner — Rebekah A Caruso

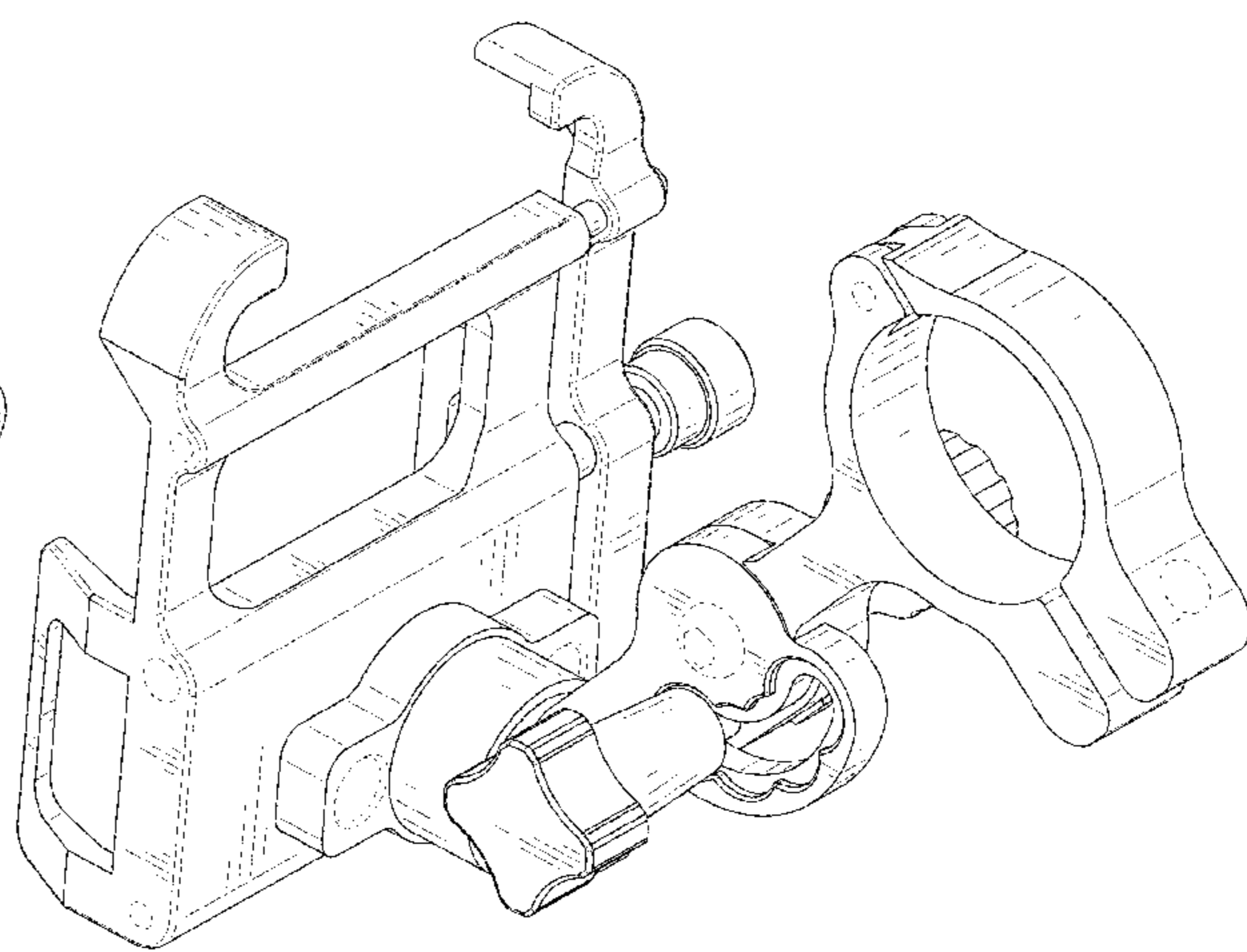
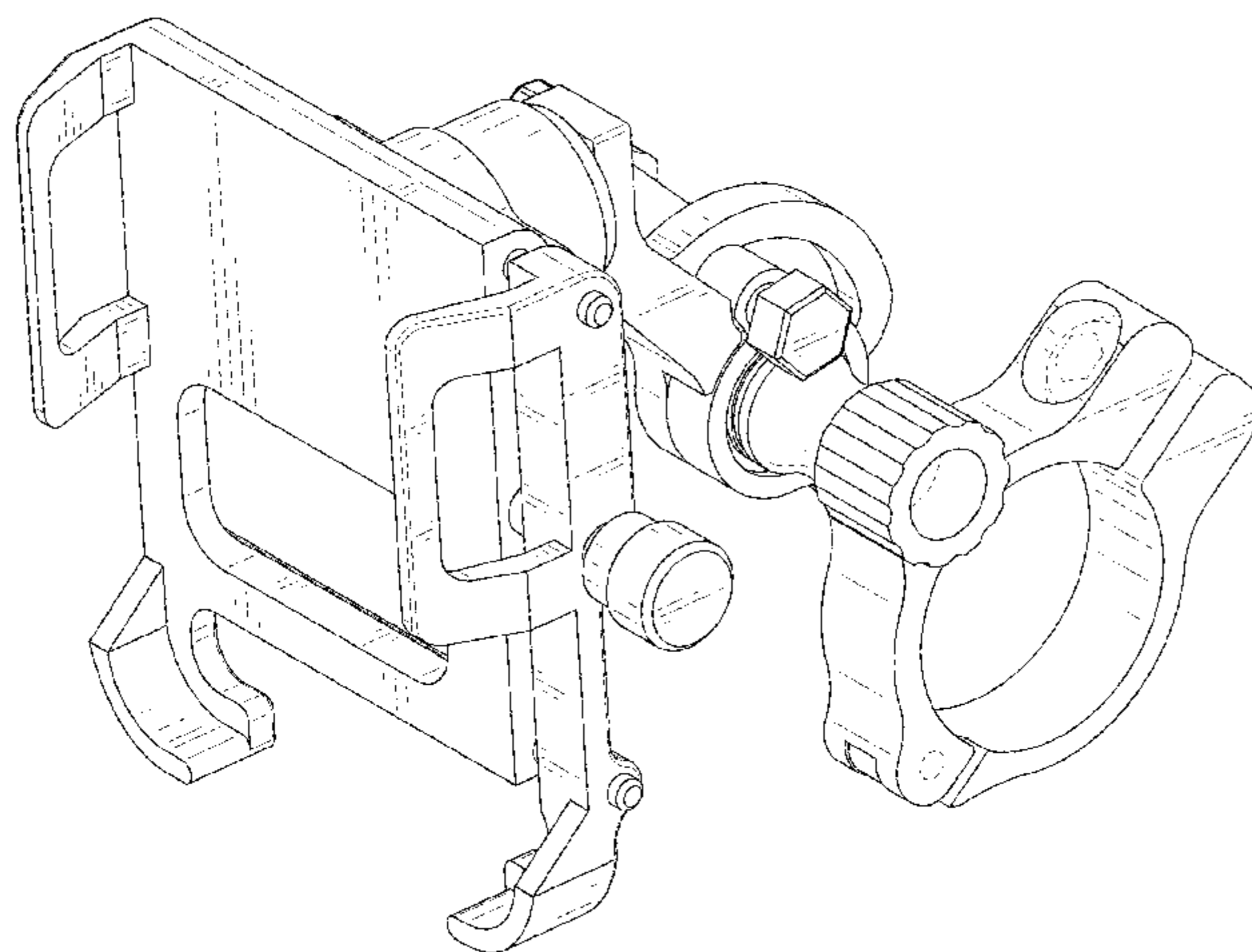
(57) **CLAIM**

The ornamental design for a phone holder, as shown and described.

DESCRIPTION

FIG. 1 is a perspective view of a phone holder showing my new design;
FIG. 2 is another perspective view thereof;
FIG. 3 is a front elevational view thereof;
FIG. 4 is a rear elevational view thereof;
FIG. 5 is a left side elevational view thereof;
FIG. 6 is a right side elevational view thereof;
FIG. 7 is a top plan view thereof; and,
FIG. 8 is a bottom plan view thereof.
The broken lines in the drawings are for the purpose of illustrating portions of the phone holder that form no part of the claimed design.

1 Claim, 8 Drawing Sheets



(56)

References Cited

U.S. PATENT DOCUMENTS

D934,233 S * 10/2021 Iverson D14/253
2013/0105644 A1* 5/2013 Yu F16M 11/14
248/125.7

FOREIGN PATENT DOCUMENTS

CN 305611226 * 2/2020
CN 305734983 * 4/2020
CN 305956930 * 7/2020
KR 301005857.0000 * 5/2019

* cited by examiner

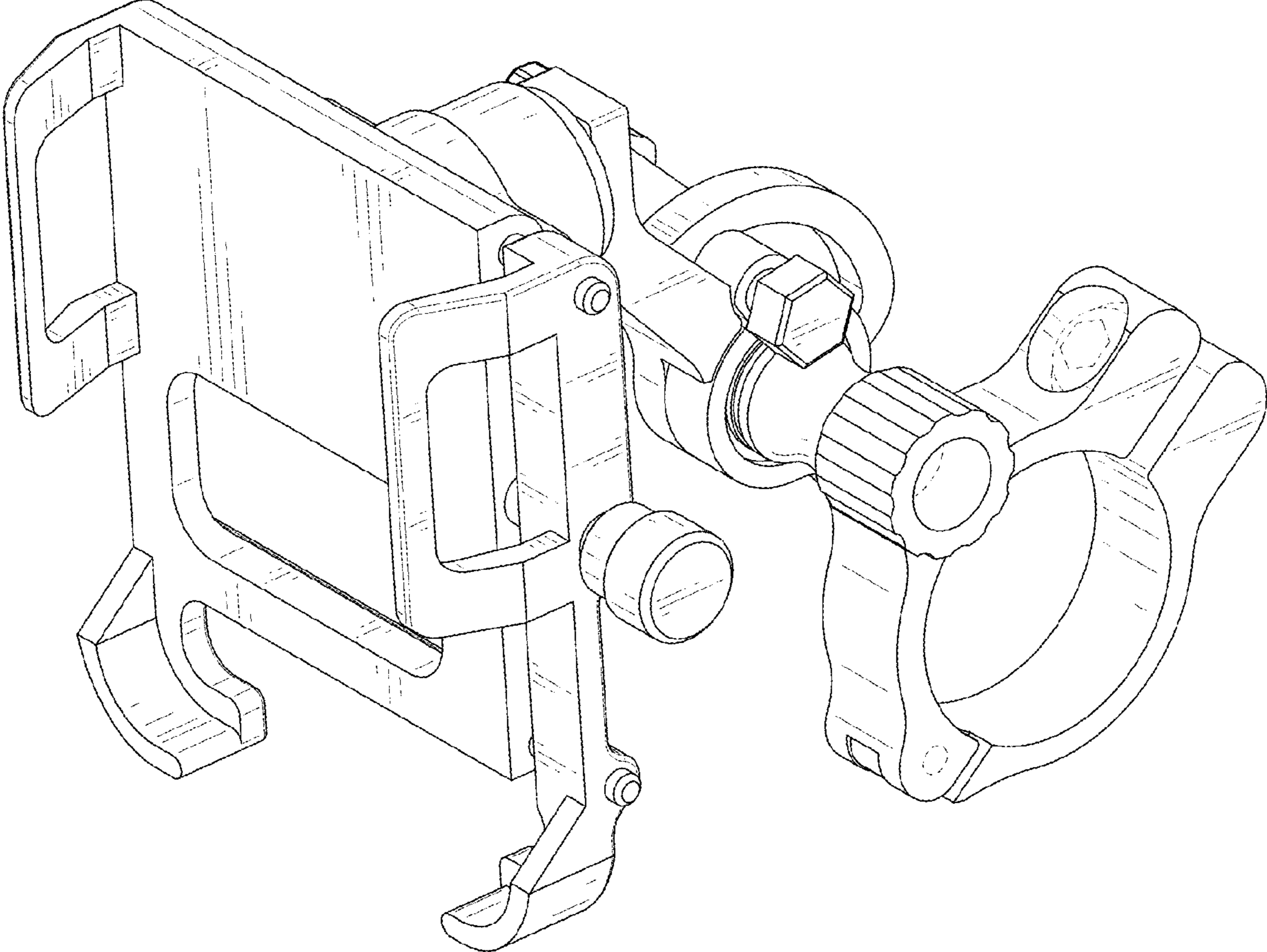


FIG. 1

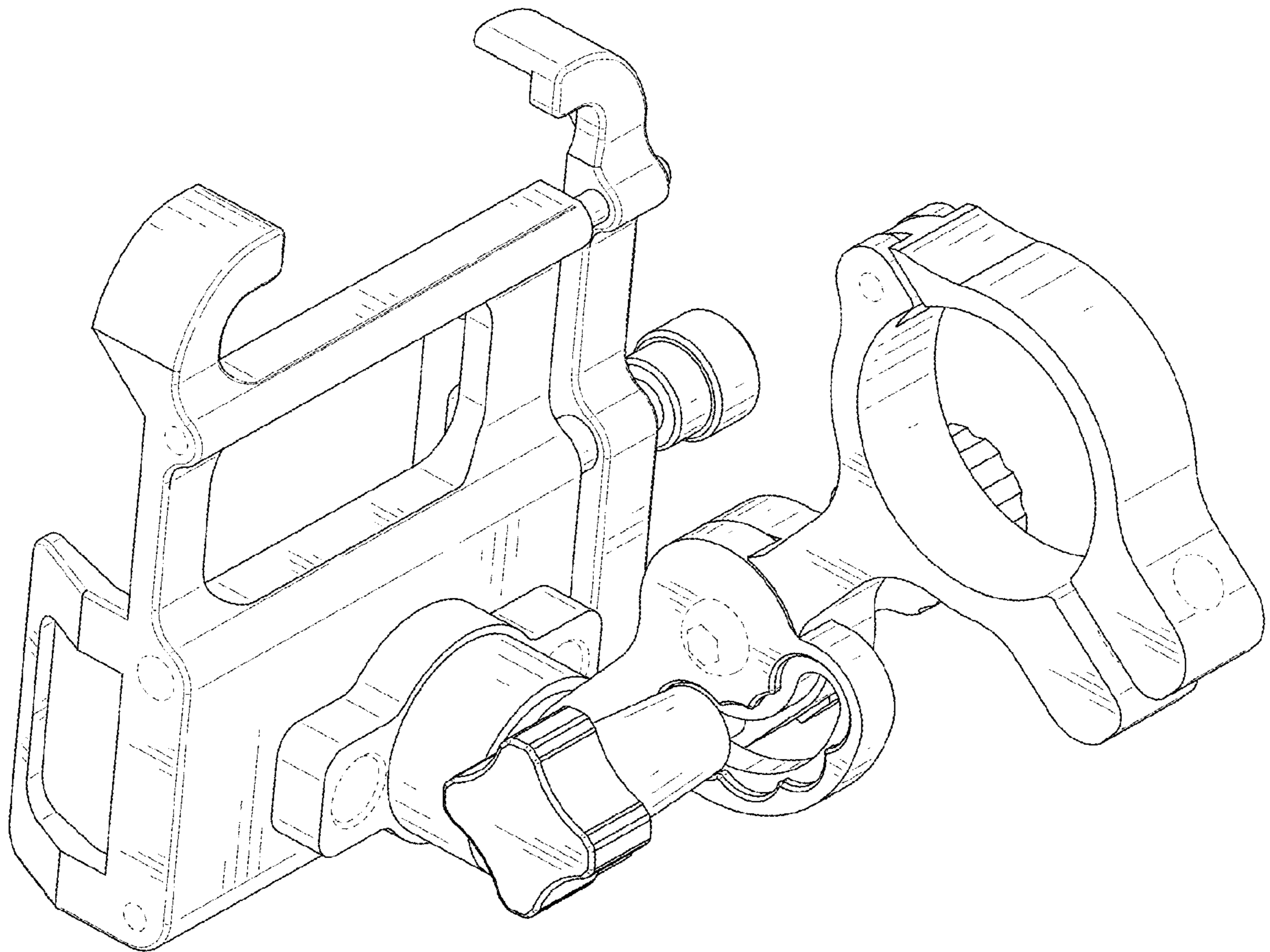


FIG. 2

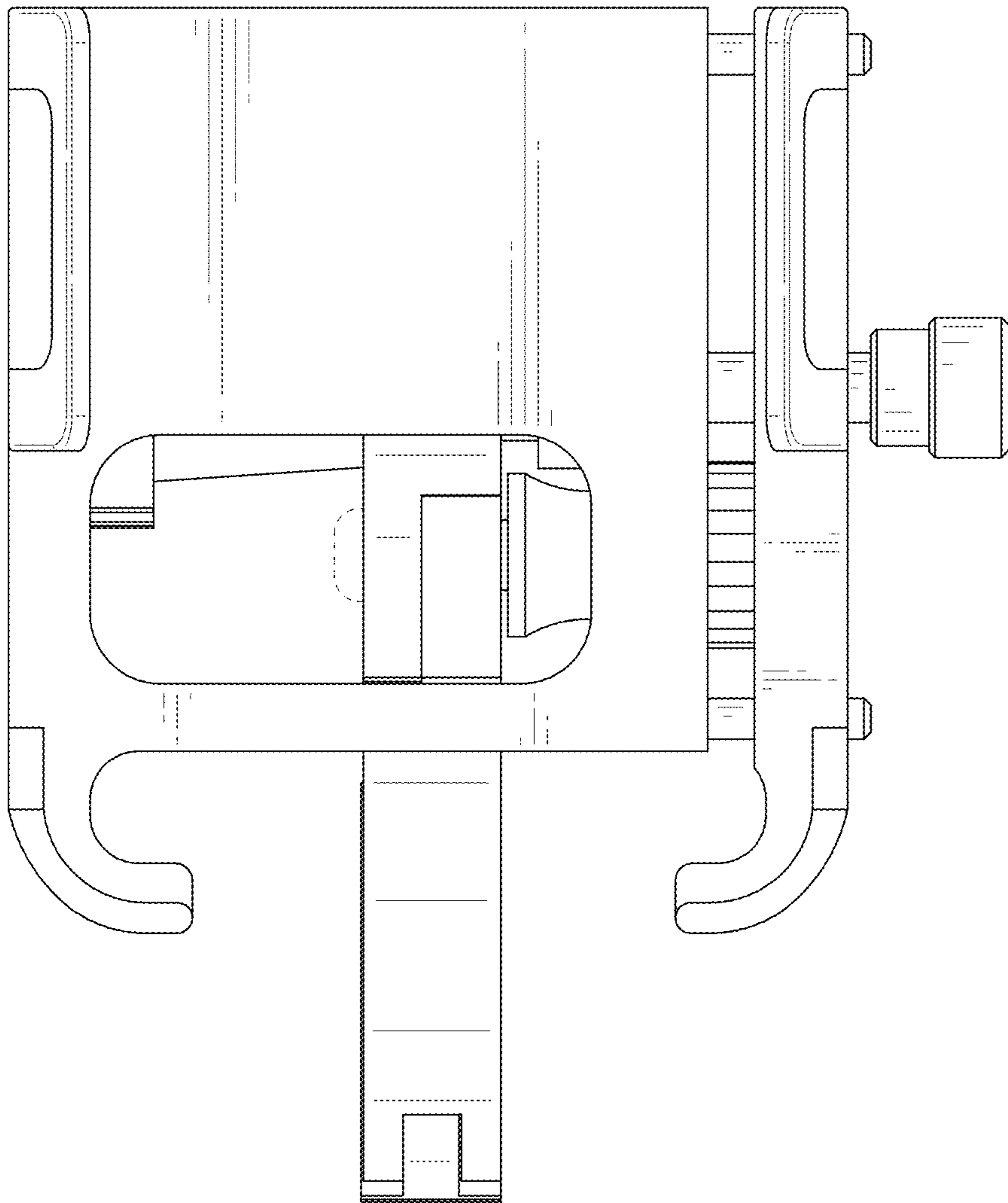


FIG. 3

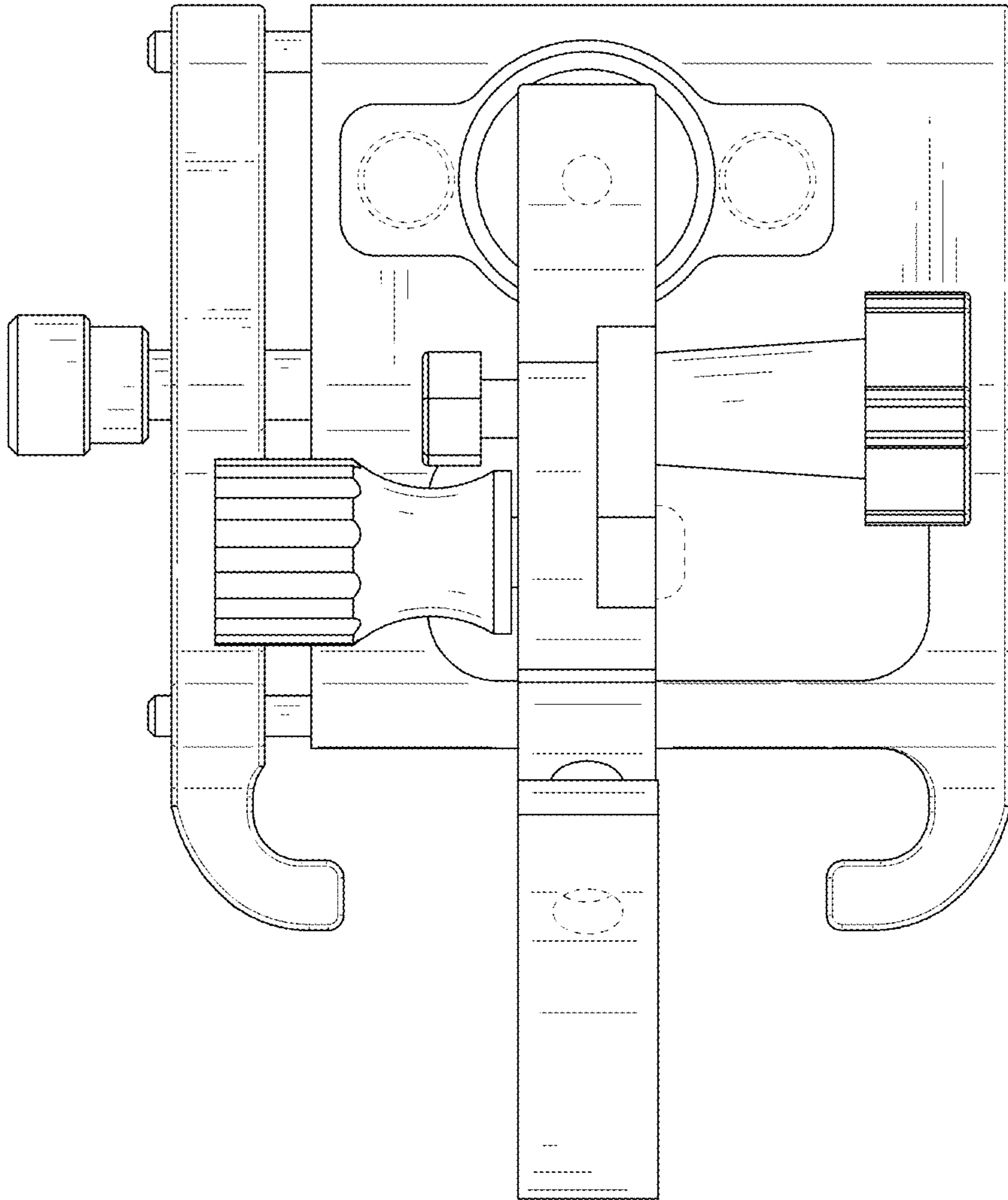


FIG. 4

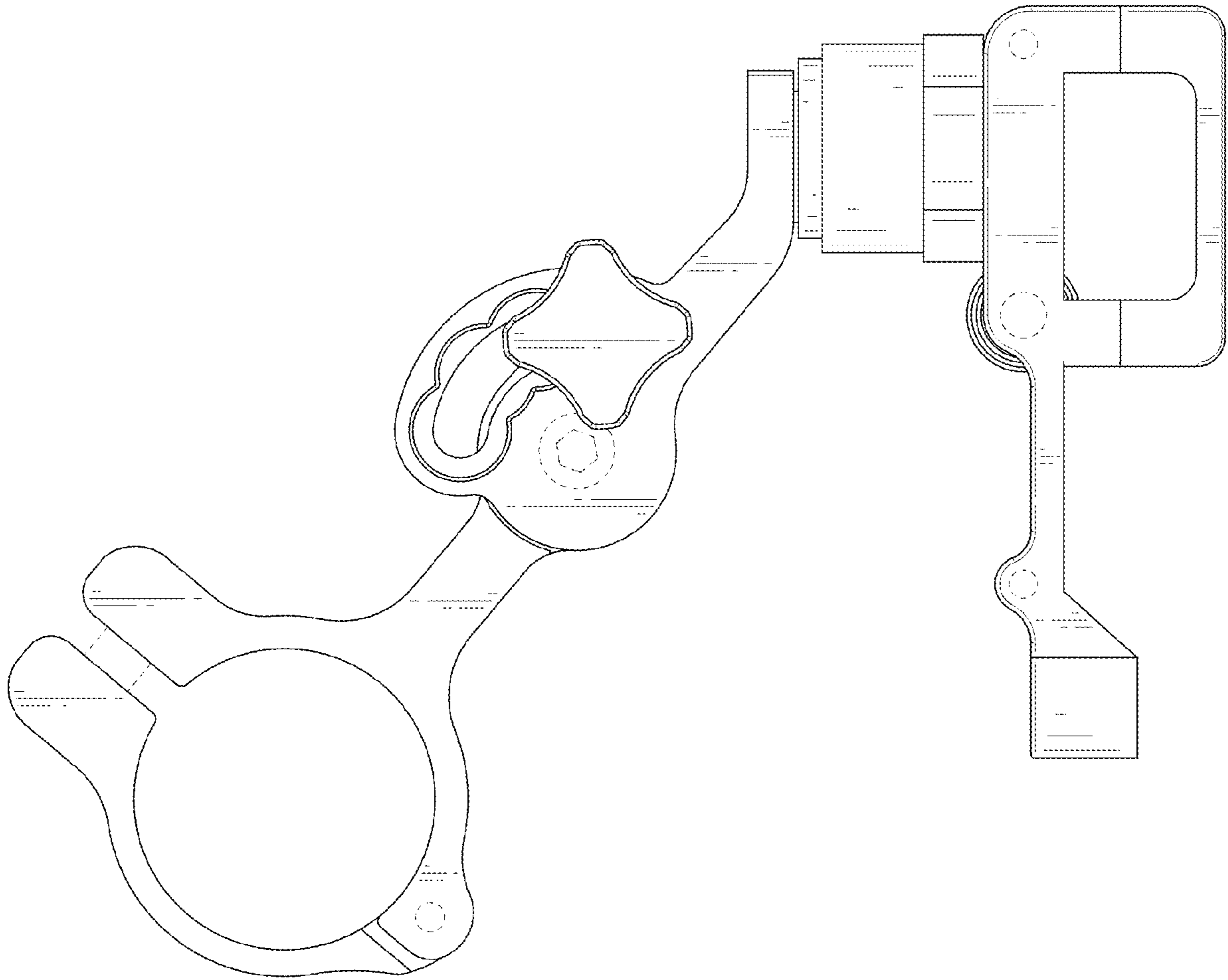


FIG. 5

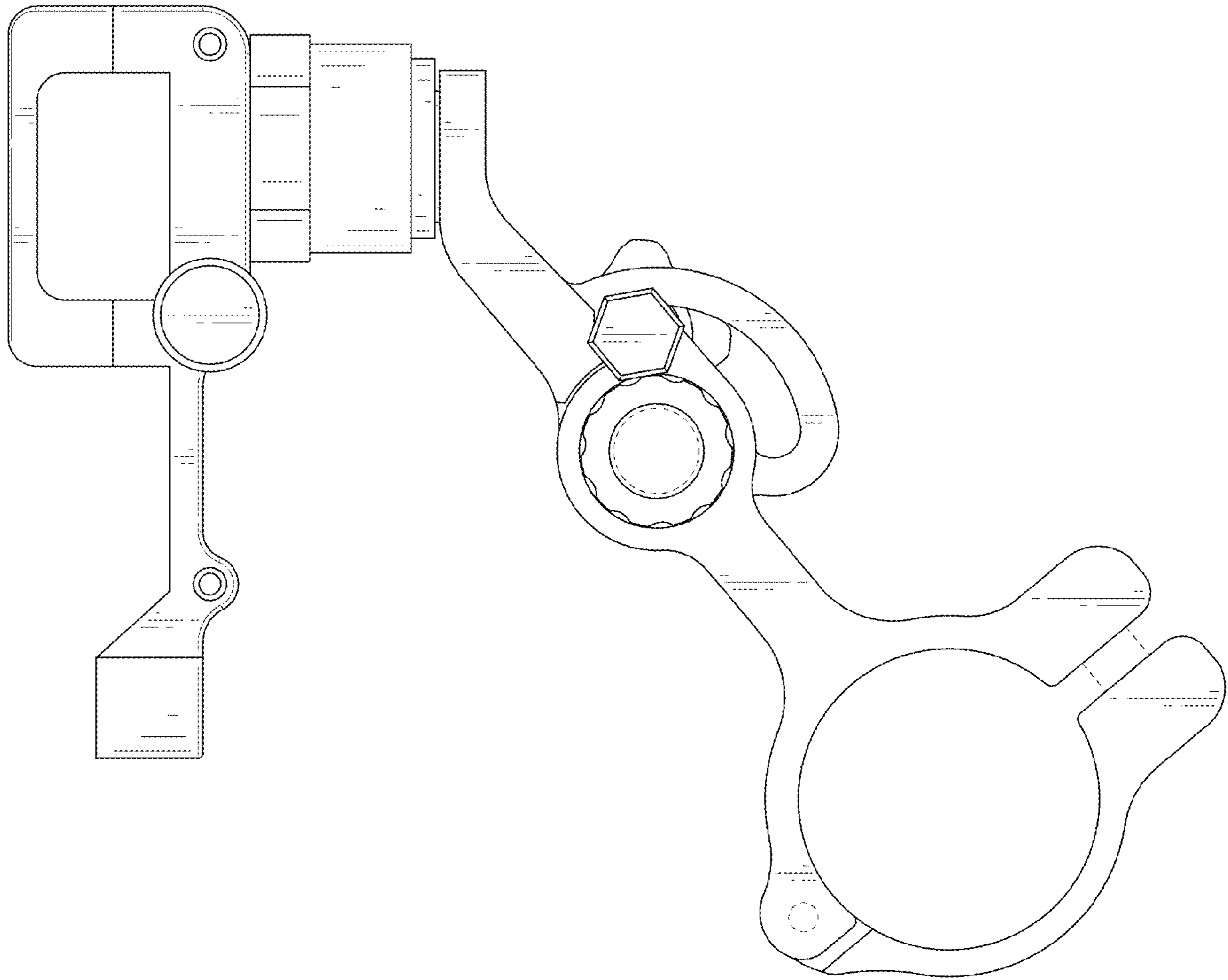


FIG. 6

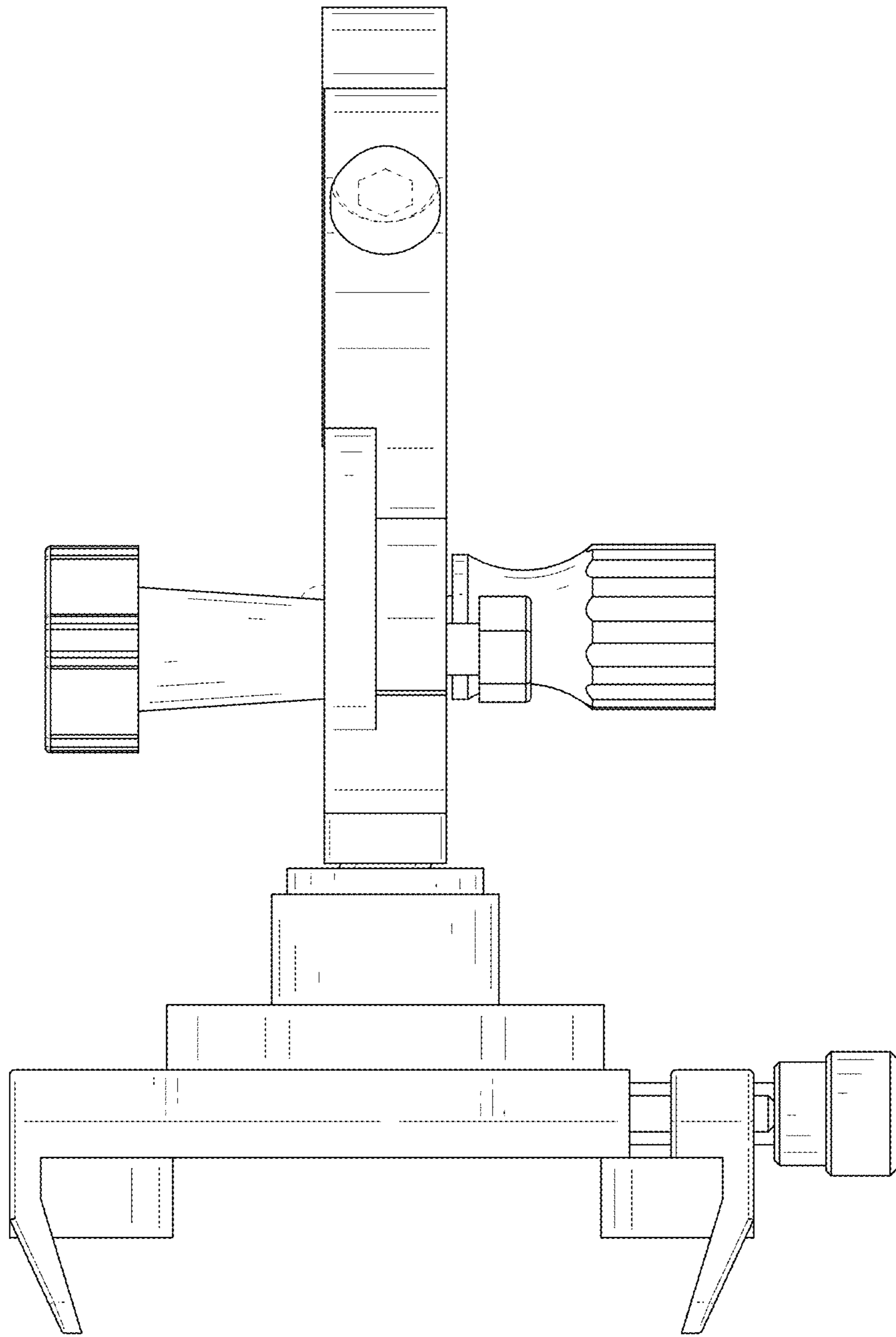


FIG. 7

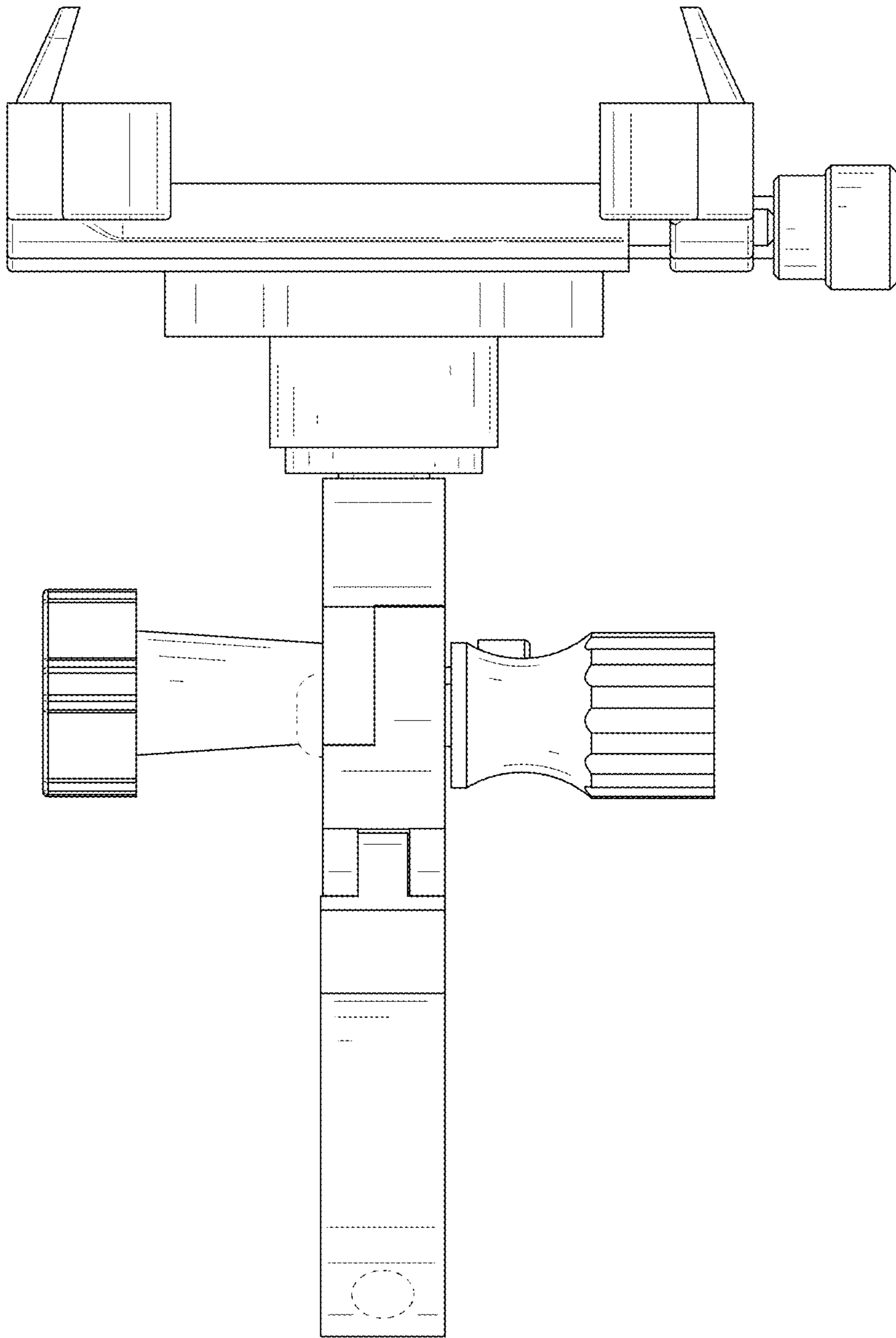


FIG. 8