



US00D949831S

(12) **United States Design Patent**
Kim

(10) **Patent No.:** **US D949,831 S**

(45) **Date of Patent:** **** Apr. 26, 2022**

(54) **HEADPHONE**

(71) Applicant: **Harman International Industries, Incorporated**, Northridge, CA (US)

(72) Inventor: **Juyoung Kim**, Shenzhen (CN)

(73) Assignee: **Harman International Industries, Incorporated**, Northridge, CA (US)

(**) Term: **15 Years**

(21) Appl. No.: **29/734,436**

(22) Filed: **May 12, 2020**

Related U.S. Application Data

(63) Continuation of application No. 29/631,197, filed on Dec. 28, 2017, now abandoned.

(51) **LOC (13) Cl.** **14-01**

(52) **U.S. Cl.**
USPC **D14/223**

(58) **Field of Classification Search**
USPC D14/205, 207, 217, 221, 225; D24/106, D24/173, 174; D29/112
CPC H04R 1/10; H04R 1/1016; H04R 1/1066; H04R 1/105; H04R 1/1033; H04R 1/08; H04R 5/033; H04R 5/0335; H04R 25/00
See application file for complete search history.

(56) **References Cited**

U.S. PATENT DOCUMENTS

D348,066 S 6/1994 Lucey
D364,162 S 11/1995 Dagan
D461,813 S 8/2002 Chang
D470,129 S * 2/2003 Hlas D14/205
D498,225 S 11/2004 Takeuchi et al.

(Continued)

FOREIGN PATENT DOCUMENTS

CN 303338642 8/2015
CN 303347707 8/2015

(Continued)

OTHER PUBLICATIONS

Green True Wireless Bluetooth Earbuds, announced Aug. 17, 2021 [online], Nov. 10, 2021. Available from the Internet, URL:<https://www.amazon.com/Bluetooth-Cancelling-Adjustable-Headphones-Waterproof/dp/B09CTR2PJK/ref=sr_1_48?keywords=ear+hook&qid=1636565285&s=aht&sr=1-48>. (Year: 2021).*

(Continued)

Primary Examiner — Dana K Weiland

Assistant Examiner — Russell Carnell Smith, Jr.

(74) *Attorney, Agent, or Firm* — Plumsea Law Group, LLC

(57) **CLAIM**

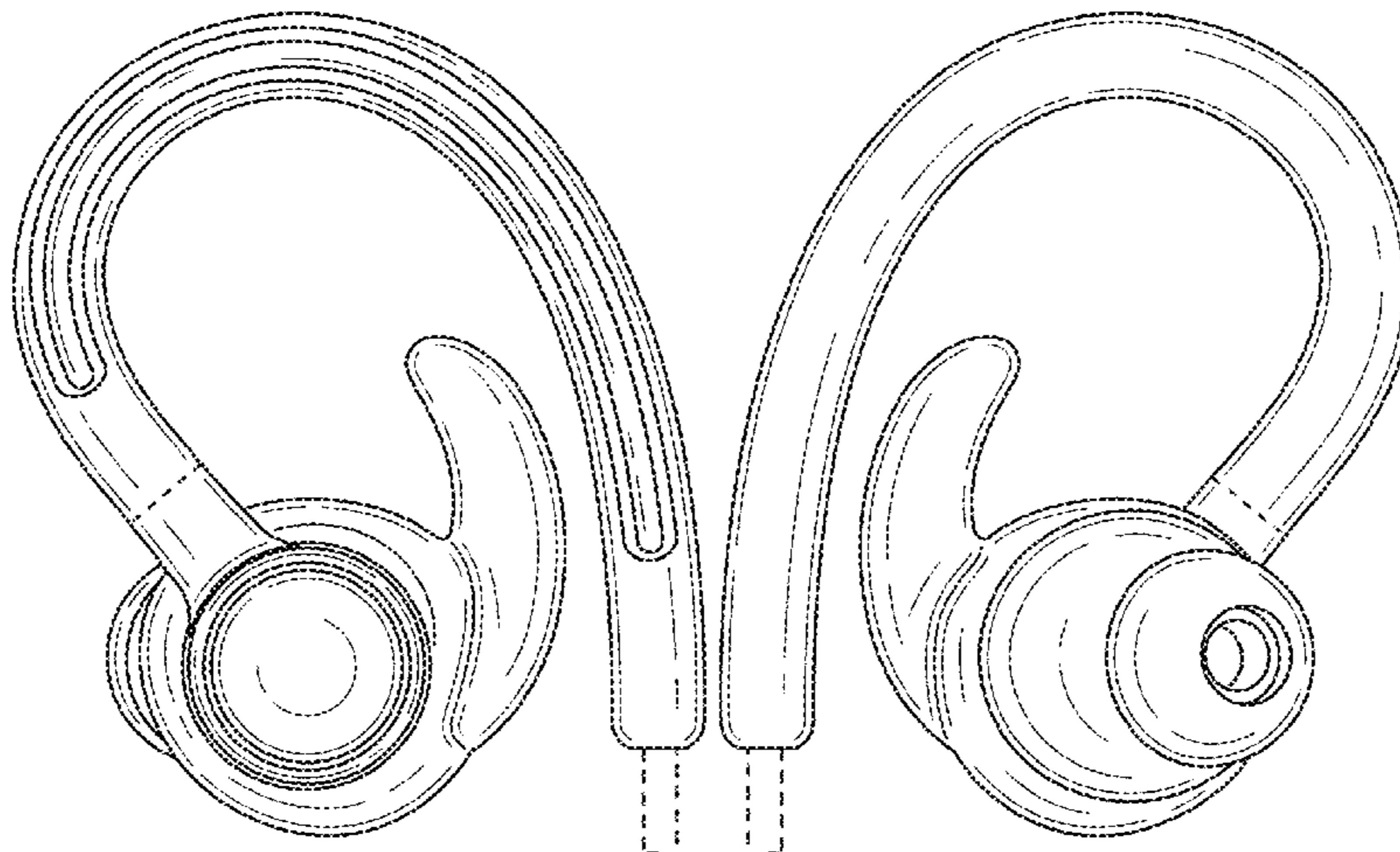
The ornamental design for a headphone, as shown and described.

DESCRIPTION

FIG. 1 is a perspective view of a headphone showing the new design in a first embodiment;
FIG. 2 is a front elevational view thereof;
FIG. 3 is a rear elevational view thereof;
FIG. 4 is a side elevational view thereof;
FIG. 5 is an opposite side elevational view thereof;
FIG. 6 is a top view thereof;
FIG. 7 is a bottom view thereof;
FIG. 8 is a perspective view of the headphone in a second embodiment;
FIG. 9 is a front elevational view thereof;
FIG. 10 is a rear elevational view thereof;
FIG. 11 is a side elevational view thereof;
FIG. 12 is an opposite side elevational view thereof;
FIG. 13 is a top view thereof; and,
FIG. 14 is a bottom view thereof.

The broken lines shown in the drawings depict portions of the headphone that form no part of the claimed design.

1 Claim, 6 Drawing Sheets



(56)

References Cited

U.S. PATENT DOCUMENTS

D510,575 S	*	10/2005	Leong	D14/205	D698,760 S	2/2014	Lee et al.
D514,095 S		1/2006	Wilson et al.		D700,905 S	3/2014	Pavitsich
D519,987 S		5/2006	Kubota		D701,195 S	3/2014	Katsumata
D535,284 S		1/2007	Peng		D702,667 S	4/2014	Yang
D539,268 S		3/2007	Suzuki		D707,200 S	6/2014	Yang
D543,968 S	*	6/2007	Wong	D14/205	D707,205 S	6/2014	Wenger et al.
D549,179 S		8/2007	Amidon		D710,335 S	8/2014	Yang
D554,627 S		11/2007	Gondo		D715,253 S	10/2014	Lee et al.
D572,200 S		1/2008	Chawgo		D715,254 S	10/2014	Lee et al.
D566,099 S		4/2008	Komiyama		D717,796 S	11/2014	Olsson
D567,217 S		4/2008	Kamo et al.		D718,744 S	12/2014	Thompson et al.
D569,841 S		5/2008	Chung et al.		D718,745 S	12/2014	Thompson et al.
D574,781 S		8/2008	Chawgo et al.		D719,548 S	12/2014	Thompson et al.
D578,077 S		10/2008	Amidon		D719,551 S	12/2014	Yang
D578,507 S		10/2008	Ando		D726,147 S	4/2015	Tran et al.
D578,508 S		10/2008	Wang		D726,165 S	4/2015	Kawaji et al.
D587,681 S		3/2009	Yanai		D727,871 S	4/2015	Orbach
D589,493 S		3/2009	Densho		D729,775 S	5/2015	Seo et al.
D590,375 S		4/2009	Komiyama		D735,699 S	8/2015	Yasuda
D590,809 S		4/2009	Thusbass		D736,749 S	8/2015	Yasuda
D593,997 S		6/2009	Mauritzsson		D740,255 S	10/2015	Samrelius
D597,959 S		8/2009	Malloy		D740,786 S	10/2015	Huang et al.
D605,135 S		12/2009	Malloy		D742,859 S	11/2015	Miyake et al.
D605,182 S		12/2009	Fagnot		D743,947 S	11/2015	Yoshimura
D606,048 S		12/2009	Soetejo et al.		D744,456 S	12/2015	Pedersen
D606,971 S		12/2009	Christopher et al.		D746,792 S	1/2016	Kim
D610,998 S		3/2010	Purdy et al.		D749,060 S	2/2016	Hinokio
D611,036 S		3/2010	Cooper et al.		D751,530 S	3/2016	Kolton
D618,210 S		6/2010	Andre et al.		D753,626 S	4/2016	Tran
D618,211 S		6/2010	Oguro et al.		D758,355 S	6/2016	Lee et al.
D621,388 S		8/2010	Koss et al.		D759,633 S	6/2016	Gondo
D621,389 S		8/2010	Nagayama et al.		D760,189 S	6/2016	Loh Jun Kern et al.
D623,630 S		9/2010	Ohori et al.		D761,770 S	7/2016	Kanou
D624,023 S		9/2010	Rodrigues et al.		D762,196 S	7/2016	Hsieh et al.
D624,902 S		10/2010	Kolton		D762,616 S	8/2016	Hsieh et al.
D625,298 S		10/2010	Koss et al.		D762,623 S	8/2016	Gondo
D626,117 S		10/2010	Lowry		D769,219 S	10/2016	Ohmachi
D627,338 S		11/2010	Koss et al.		D771,011 S	11/2016	Ott et al.
D627,765 S		11/2010	Zheng		D773,435 S	12/2016	Ott et al.
D628,993 S		12/2010	Steyn		D773,441 S	12/2016	Pedersen
D633,482 S		3/2011	Koss et al.		D774,021 S	12/2016	Pedersen
D637,180 S		5/2011	Shimizu et al.		D774,455 S	12/2016	Kim et al.
D637,181 S		5/2011	Fuller et al.		D775,108 S	12/2016	Hsieh et al.
D639,282 S		6/2011	Ohori et al.		D776,080 S	1/2017	Enquist
D640,976 S		7/2011	Matsuoka		D777,139 S	1/2017	Fletcher et al.
D641,008 S		7/2011	Lee et al.		D777,701 S	1/2017	Czaniecki
D642,163 S		7/2011	Lee et al.		D778,268 S	2/2017	Hsieh et al.
D644,213 S		8/2011	Quek		D780,155 S	2/2017	Levine et al.
D650,368 S		12/2011	Lee et al.		D782,998 S	4/2017	Shin et al.
D652,822 S		1/2012	Lee et al.		D784,962 S	4/2017	Yang
D656,491 S		3/2012	Nomura		D796,473 S	9/2017	Kim et al.
D660,289 S		5/2012	Lee		D796,475 S	9/2017	Wang et al.
D660,290 S		5/2012	Weedon		D800,703 S	10/2017	Vaclavik
D667,124 S		9/2012	Takemoto		D803,816 S	11/2017	Bolster
D667,818 S		9/2012	Sogabe et al.		D804,533 S	12/2017	Mangum et al.
D674,904 S		1/2013	Aunio		D806,059 S	12/2017	Ott et al.
D676,417 S		2/2013	Masuda		D806,685 S	1/2018	Park
D676,426 S		2/2013	Komiyama		D809,486 S	* 2/2018	Arimoto D14/223
D677,248 S		3/2013	Yoon		D809,487 S	2/2018	Lee et al.
D678,251 S		3/2013	Cantoni et al.		D810,720 S	2/2018	Lee
D678,252 S		3/2013	Cantoni et al.		D811,366 S	2/2018	Mackiewicz et al.
D678,856 S		3/2013	Feng et al.		D813,206 S	3/2018	Tang et al.
D678,857 S		3/2013	Feng et al.		D814,444 S	* 4/2018	Liu D14/223
D678,858 S		3/2013	Feng et al.		D815,046 S	4/2018	Blake et al.
D678,860 S		3/2013	Hagelin		9,949,014 B2	* 4/2018	Cramer H04R 1/1008
D679,267 S		4/2013	Lee et al.		D818,990 S	5/2018	Tzeng et al.
D679,682 S		4/2013	Shimizu et al.		D820,239 S	6/2018	Yoshimura et al.
D684,559 S		6/2013	Groset et al.		D822,009 S	7/2018	Matoba et al.
D689,848 S		9/2013	Lee et al.		D822,646 S	7/2018	Dang
D691,108 S		10/2013	Takeno		D823,279 S	7/2018	Chen et al.
D691,278 S		10/2013	Aunio		D824,878 S	8/2018	Kim et al.
D693,326 S		11/2013	Takeno		D831,619 S	10/2018	Matoba et al.
D694,220 S		11/2013	Lee et al.		D838,258 S	1/2019	Hsieh
D695,710 S		12/2013	Szymanski et al.		D838,690 S	1/2019	Cheon et al.
D695,724 S		12/2013	Ishikura		D838,693 S	1/2019	Fu
					D839,238 S	1/2019	Hu
					D840,972 S	2/2019	Luo
					D845,282 S	4/2019	Chen
					D847,780 S	5/2019	Brunner et al.

(56)

References Cited

U.S. PATENT DOCUMENTS

D848,395	S	5/2019	Kelley	
D850,407	S	6/2019	Li	
D850,408	S *	6/2019	Kawabata	D14/206
D853,350	S	7/2019	Lindén et al.	
D853,351	S	7/2019	Ott et al.	
D853,360	S *	7/2019	Kawabata	D14/223
D863,264	S *	10/2019	Zhang	D14/223
D870,711	S	12/2019	Karayiannis et al.	
D871,374	S	12/2019	Karayiannis et al.	
D883,957	S *	5/2020	Bailey	D14/223
D892,089	S *	8/2020	Karayiannis	D14/223
D905,667	S *	12/2020	Zhao	D14/223
D918,180	S *	5/2021	Bailey	D14/223
D921,614	S *	6/2021	Yoshimura	D14/223
D926,161	S *	7/2021	Chen	D14/223
D930,619	S *	9/2021	Lindenberger	D14/223
2003/0044038	A1 *	3/2003	Shirata	H04R 1/105 381/381
2010/0135517	A1	6/2010	Murozaki et al.	
2011/0103609	A1	5/2011	Pelland et al.	
2011/0249856	A1	10/2011	Takei	
2012/0155689	A1	6/2012	Milodzikowsk et al.	
2013/0114841	A1	5/2013	Hwang	
2013/0170692	A1	7/2013	Kaneko et al.	
2015/0222978	A1	6/2015	Murozaki	
2018/0103309	A1	4/2018	Ozawa	
2018/0146280	A1 *	5/2018	Tang	H04R 9/06

FOREIGN PATENT DOCUMENTS

CN	303590971	2/2016
CN	303773695	8/2016
CN	303931450	11/2016
CN	303987634	12/2016
CN	304203641	* 7/2017
CN	304297232	9/2017
CN	304301289	9/2017
CN	304317823	S 10/2017
CN	304426607	12/2017
CN	305098231	* 4/2019
CN	305231548	* 6/2019
CN	305523112	* 12/2019
CN	305567910	* 1/2020
EM	002756031-0001	9/2015
EM	003323807-0001	* 8/2016
EM	004037588-0002	6/2017
EM	006274171-0001	* 10/2019

EM	008023444-0001	* 7/2020
EM	008128748-0001	* 8/2020
EM	008310197-0001	* 12/2020
GB	9006274171-0001	* 3/2019
GB	9007749817-0001	* 3/2020
GB	9008310197-0001	* 12/2020
JP	D1293527	* 2/2007
JP	D1529601	* 7/2015

OTHER PUBLICATIONS

UA True Wireless FLASH, published Jan. 7, 2019 [online], [retrieved May 7, 2019], Available from Internet, URL: <<https://news.harman.com/releases/true-wireless-freedom-jblR-and-under-armourR-unleash-the-ua-flash-for-athletes-looking-to-push-limits>>.

JBL Under Armour Pivot Wireless Sport In-Ear Headphones, published Dec. 19, 2018 [online], [retrieved May 21, 2019], Available from Internet, URL: https://www.bhphotovideo.com/c/product/1437243-REG/jbl_uajblpivotblkarn_under_armour_sport_wireless.html.

JBL Under Armour Sport Wireless React Bluetooth In-Ear Headphones, published Dec. 8, 2018 [online], [retrieved Jul. 8, 2019], Available from Internet, URL: https://www.bhphotovideo.com/c/product/1437894-REG/jbl_uajblreactblkam_under_armour_react_wireless.html.

Design U.S. Appl. No. 29/560,428, filed Apr. 6, 2018.

Design U.S. Appl. No. 29/615,326, filed Aug. 28, 2017.

JBL Everest Elite 100 NXTGEN Noise-Cancelling Bluetooth In-Ear Headphones Black, first available Mar. 15, 2016, site visited Nov. 20, 2017, Copyright © 1996-2017, <https://www.amazon.com/JBL-Everest-Elite-Noise-Cancelling-Bluetooth-Headphones/dp/B01D0CEC62/ref=sr_1_2_sspa?ie=UTF8&qid=1511212239&sr=8-2-spons&keywords=jbl+everest+elite&psc=1&smid=AKR88PAWTQVN2>.

Design U.S. Appl. No. 29/631,265, filed Dec. 28, 2017.

JBL Everest Elite 100 Quick Start Guide, JBL by Harman, Jan. 18, 2016.

JBL Everest Elite 100 Specification Sheet, JBL by Harman, 2015.

Design U.S. Appl. No. 29/631,217, filed Dec. 28, 2017.

JBL Reflect Mini 2, published Jan. 7, 2019 [online], [retrieved May 8, 2019], Available from Internet, URL: <https://www.red-dot.org/project/jbl-reflect-mini-2-24666>.

JBL TUNE120TWS in-ear headphones, published Jan. 7, 2019 [online], [retrieved May 8, 2019], Available from Internet, URL: <https://news.harman.com/releases/releases-20181231-6736942>.

Design U.S. Appl. No. 29/720,428, filed Jan. 13, 2020.

* cited by examiner

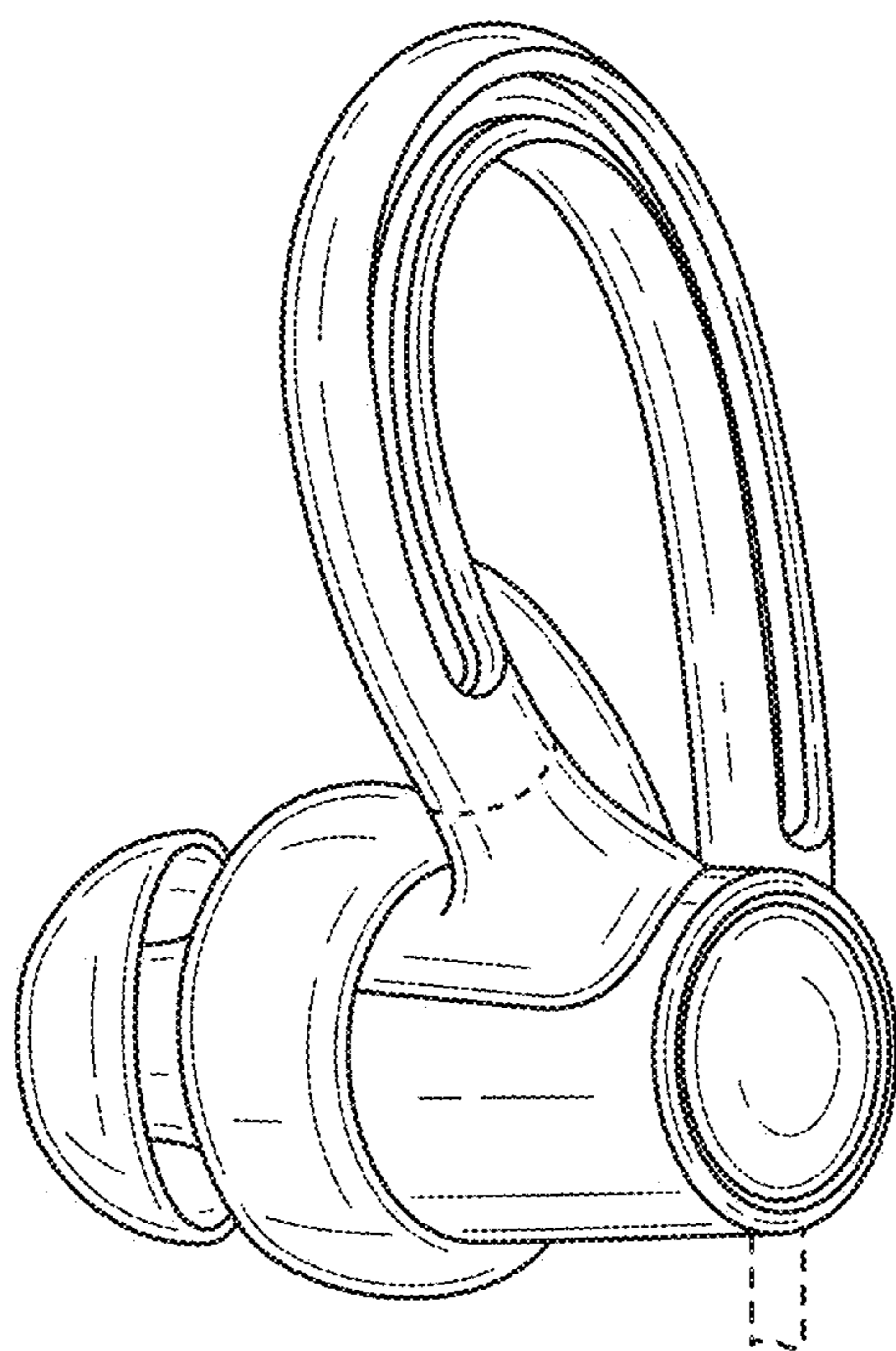


FIG. 1



FIG. 2

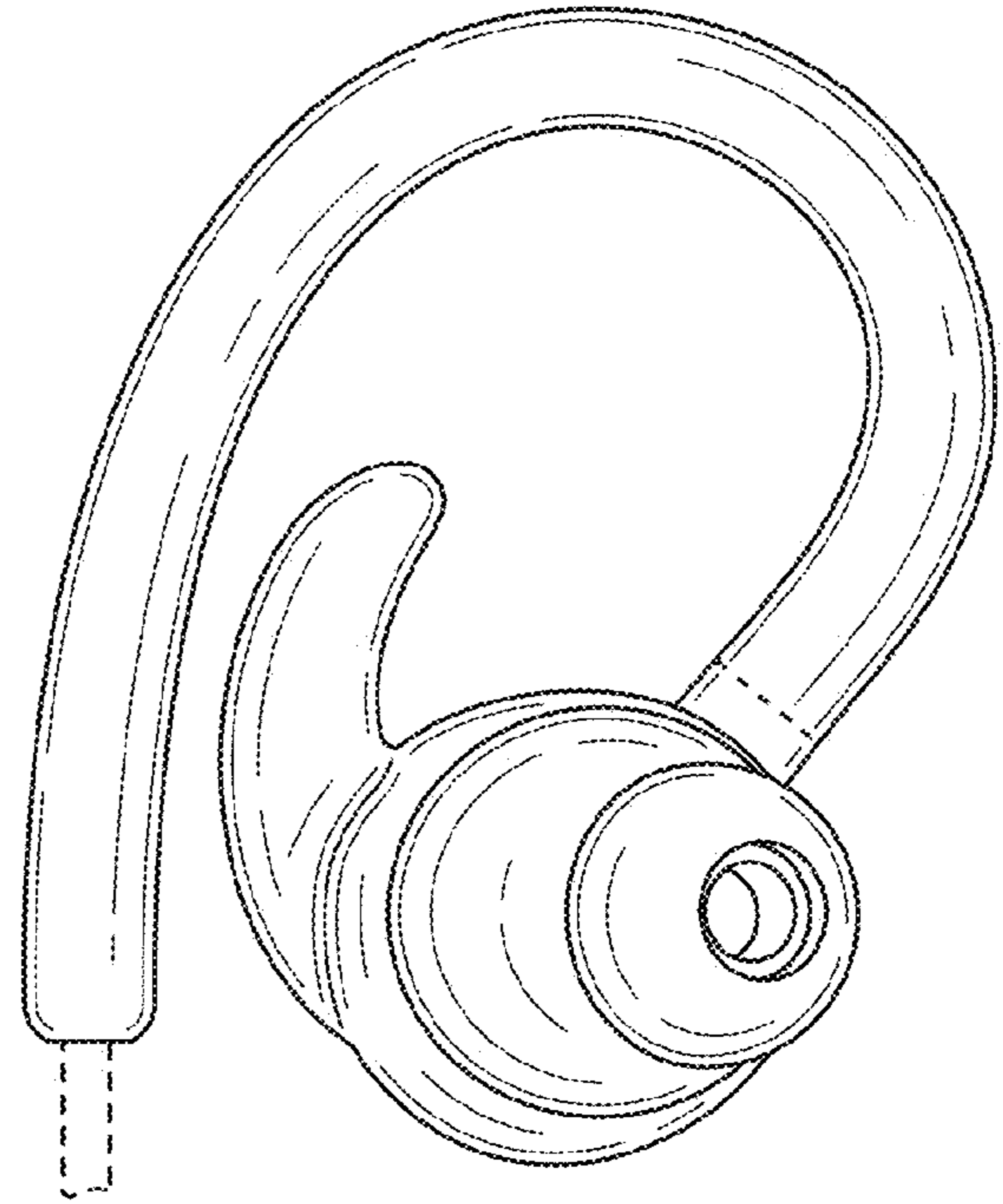


FIG. 3

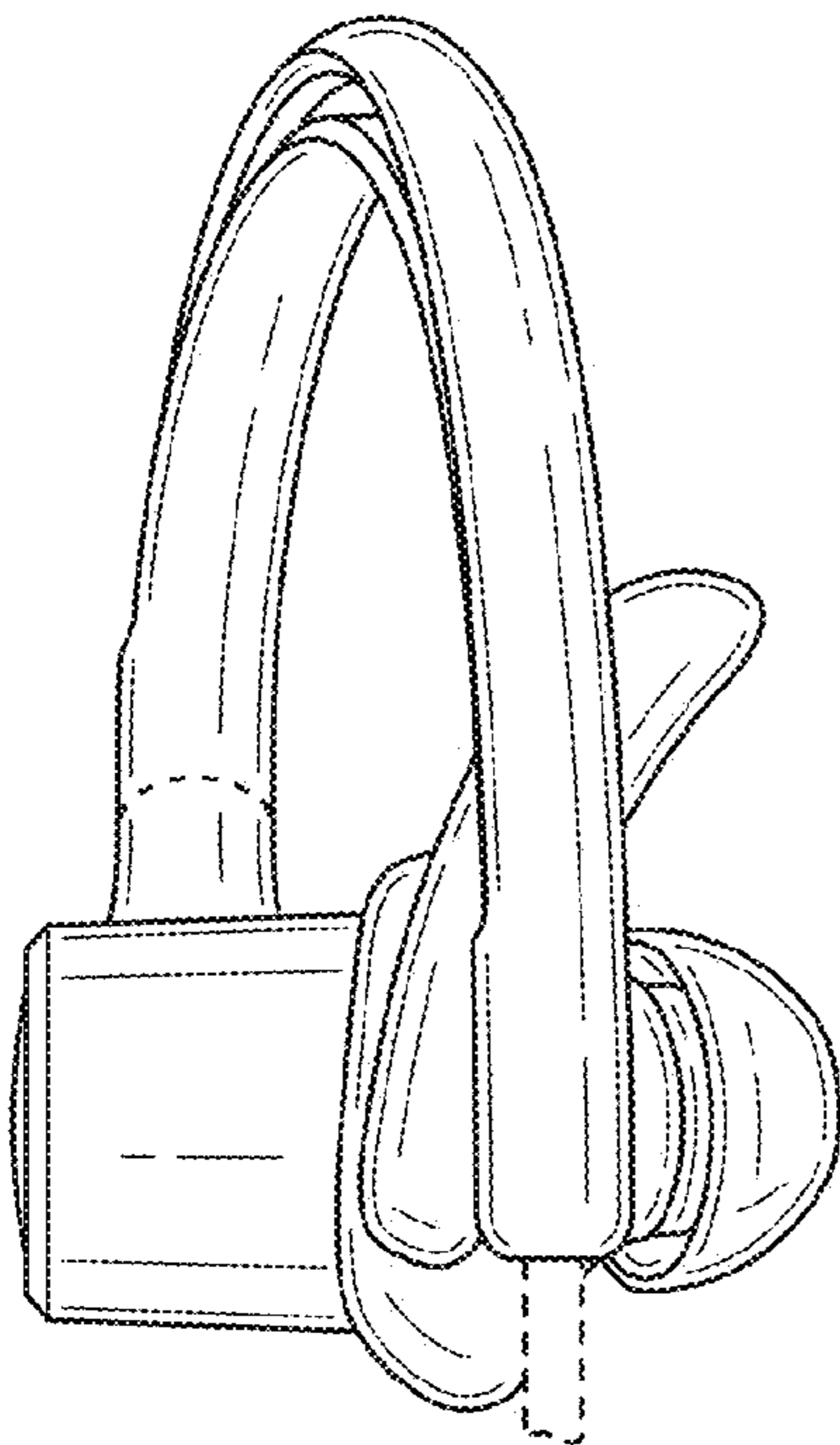


FIG. 4

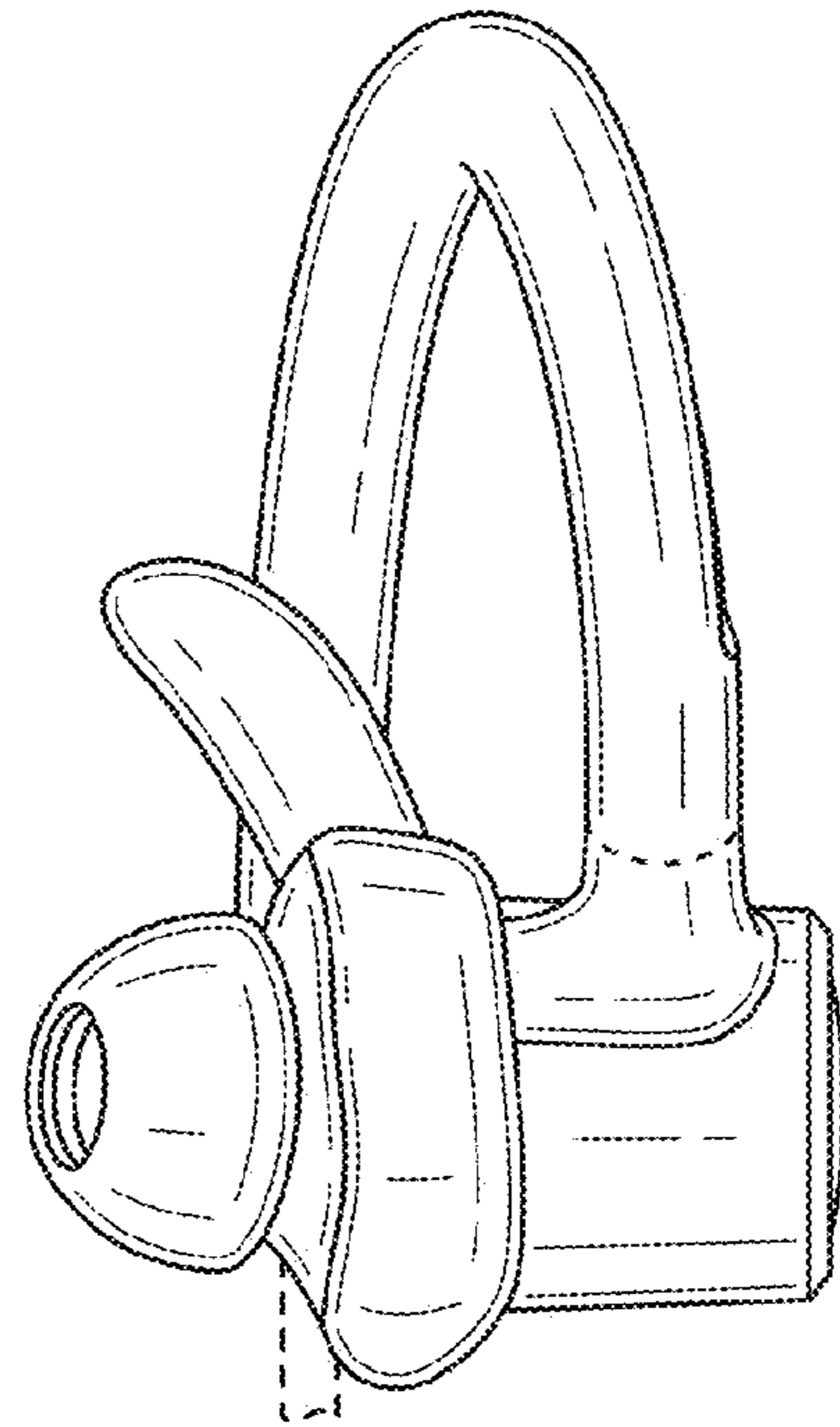


FIG. 5

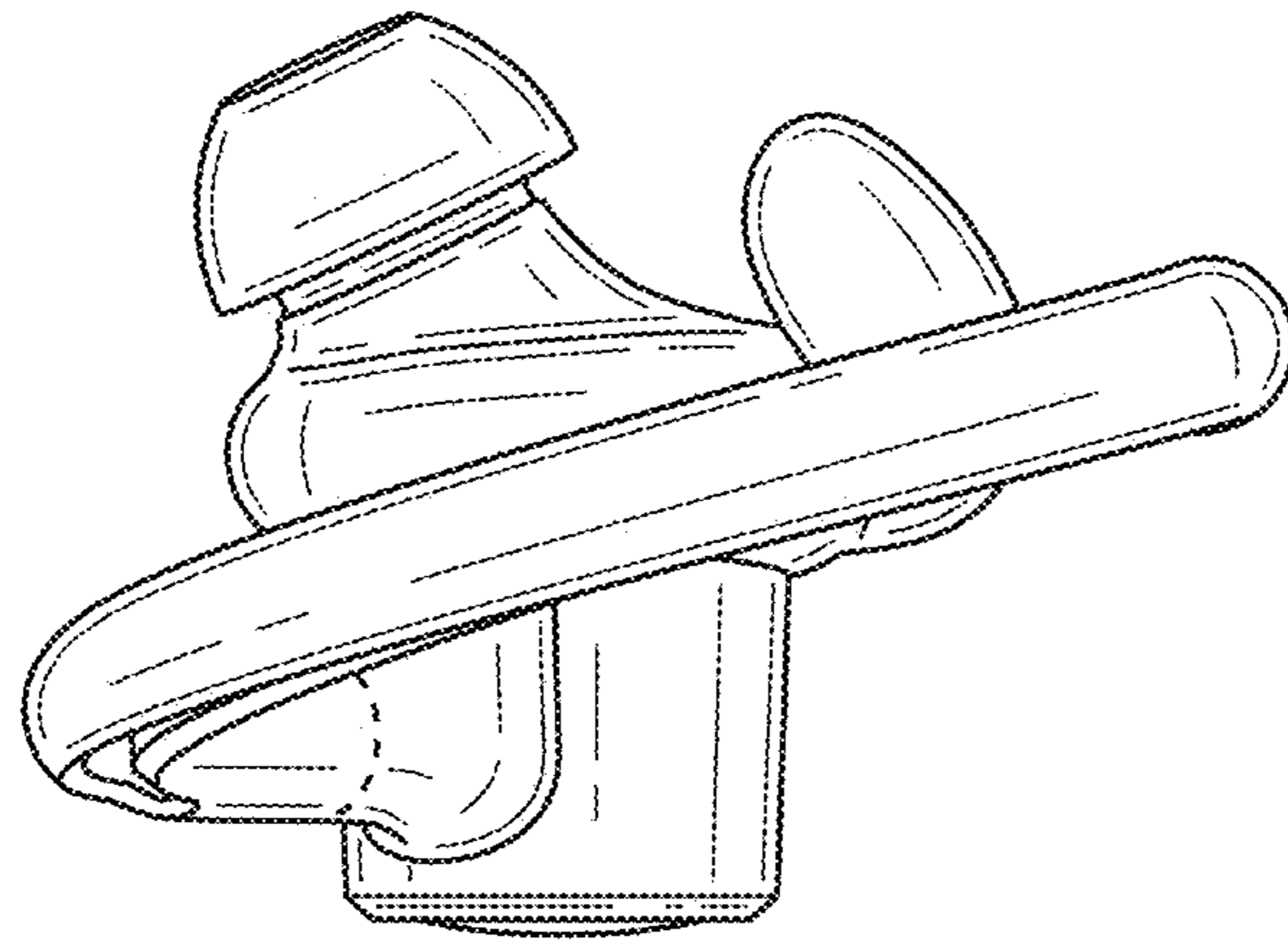


FIG. 6

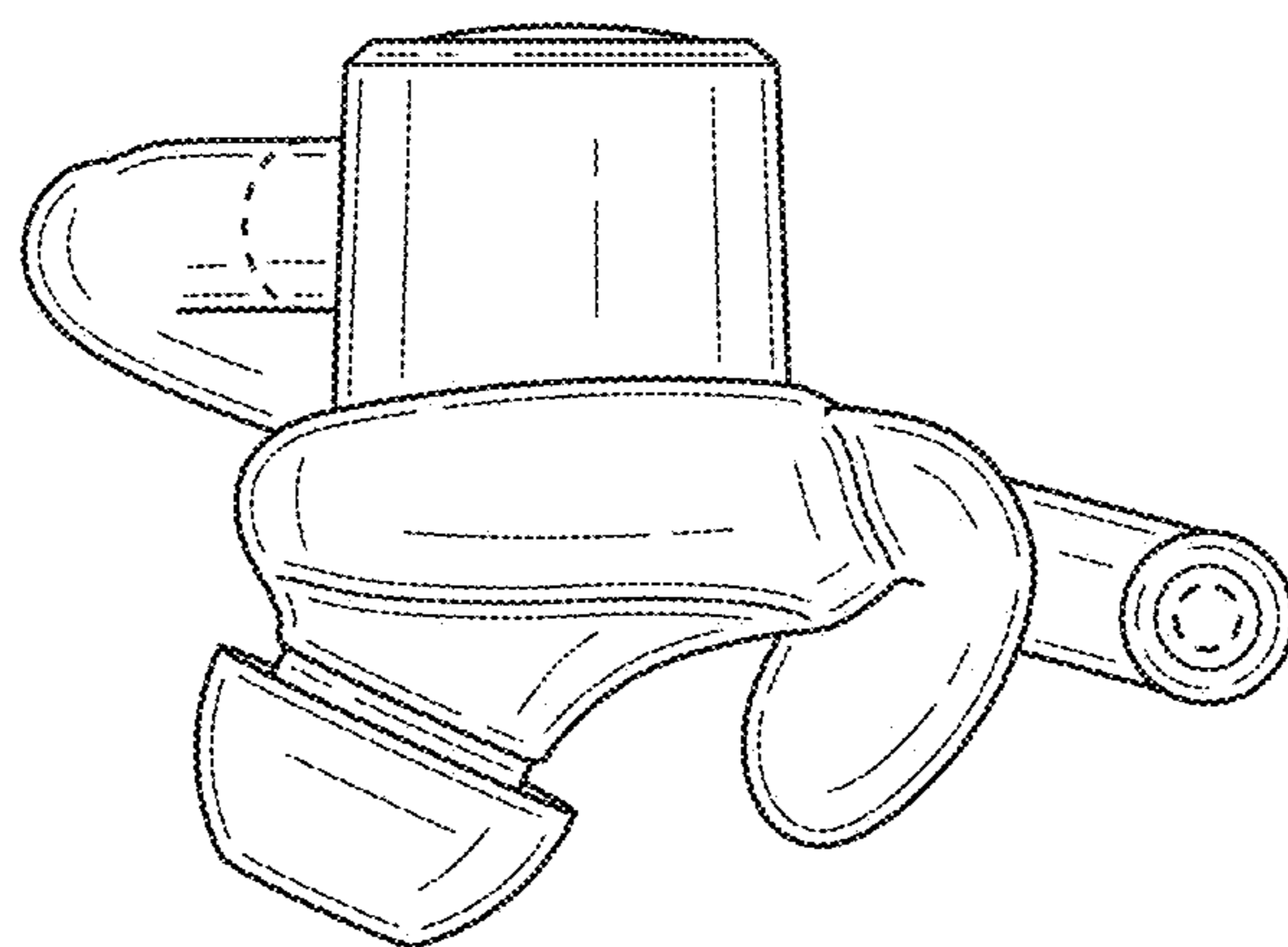


FIG. 7

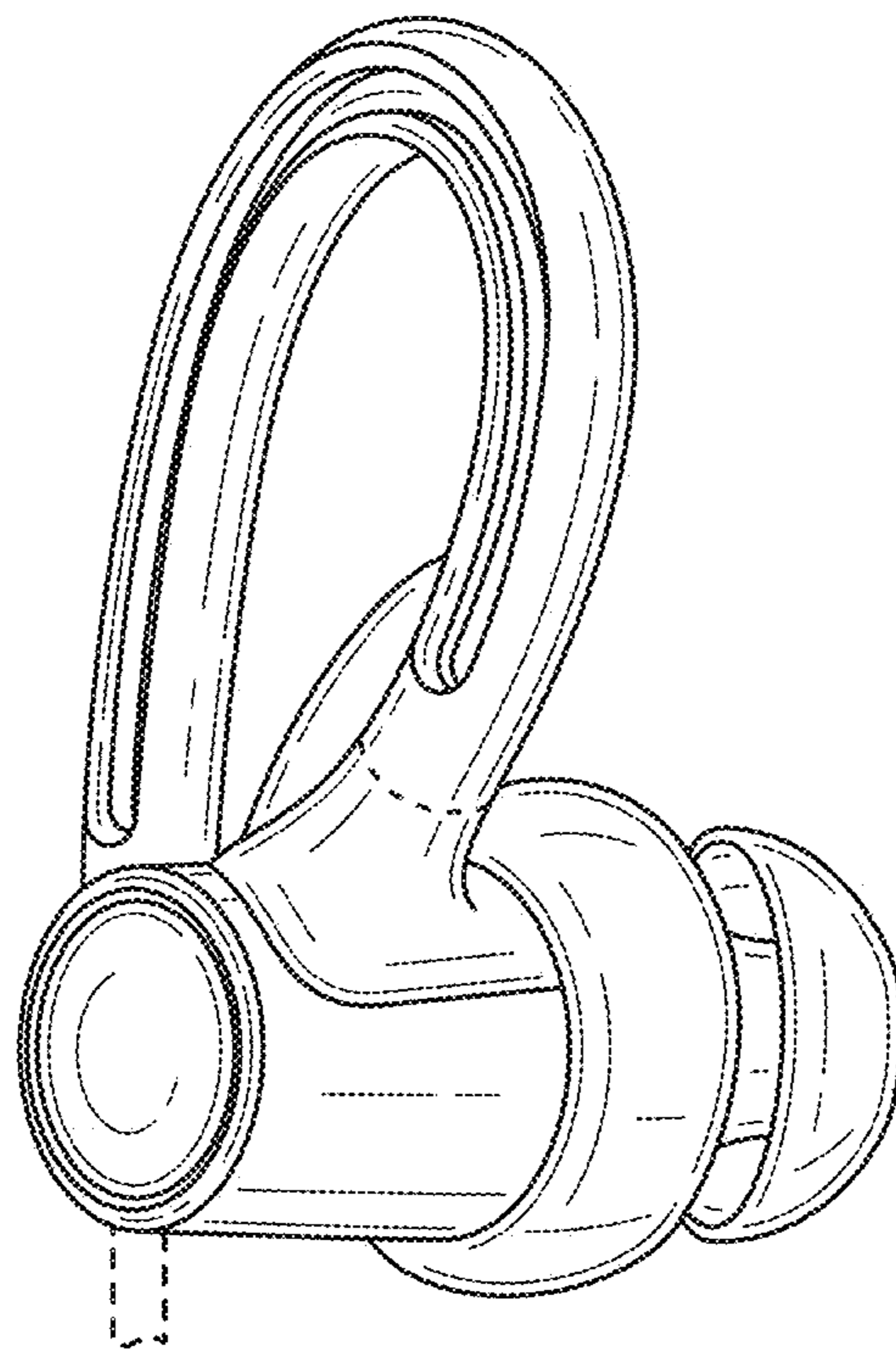


FIG. 8

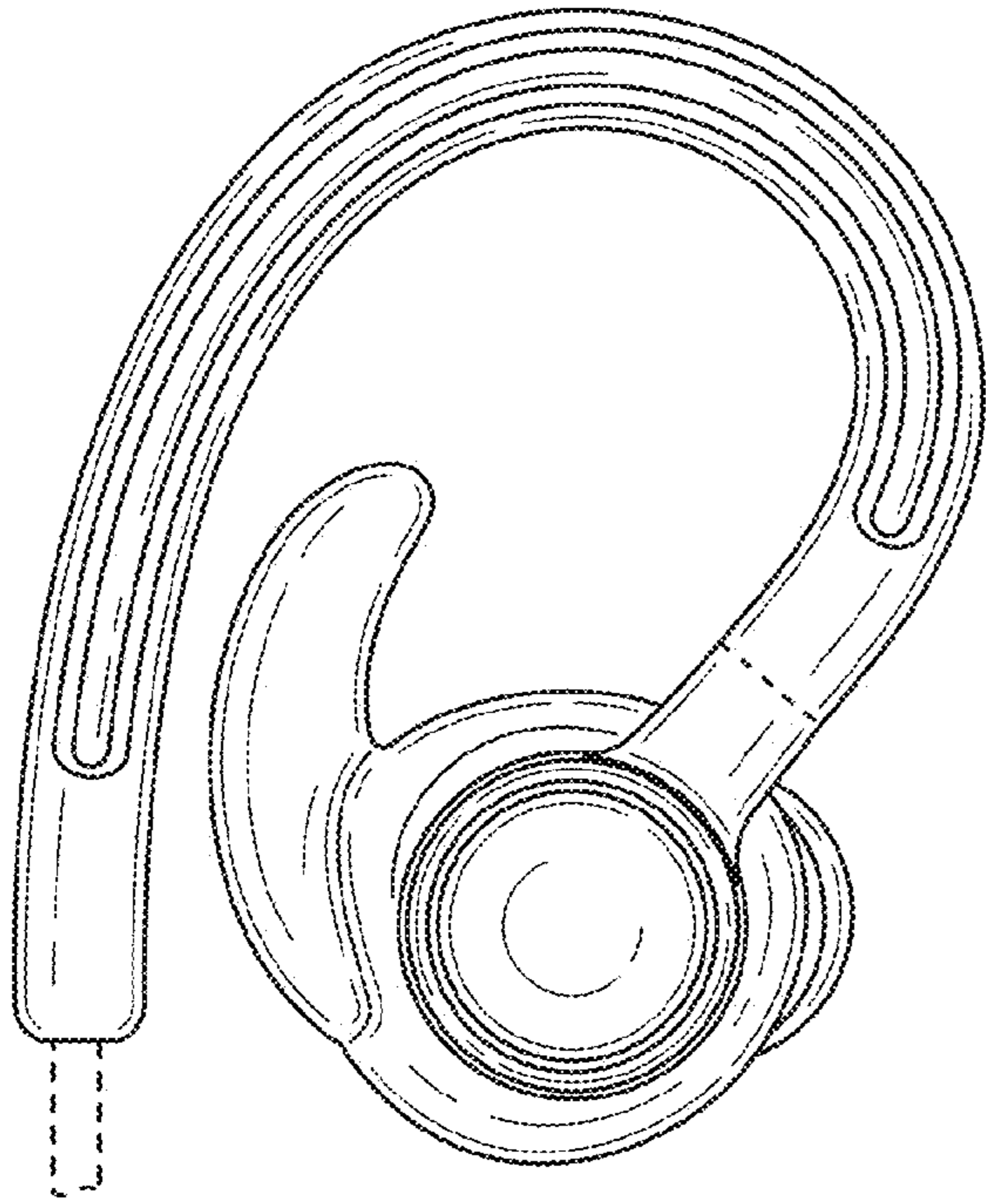


FIG. 9

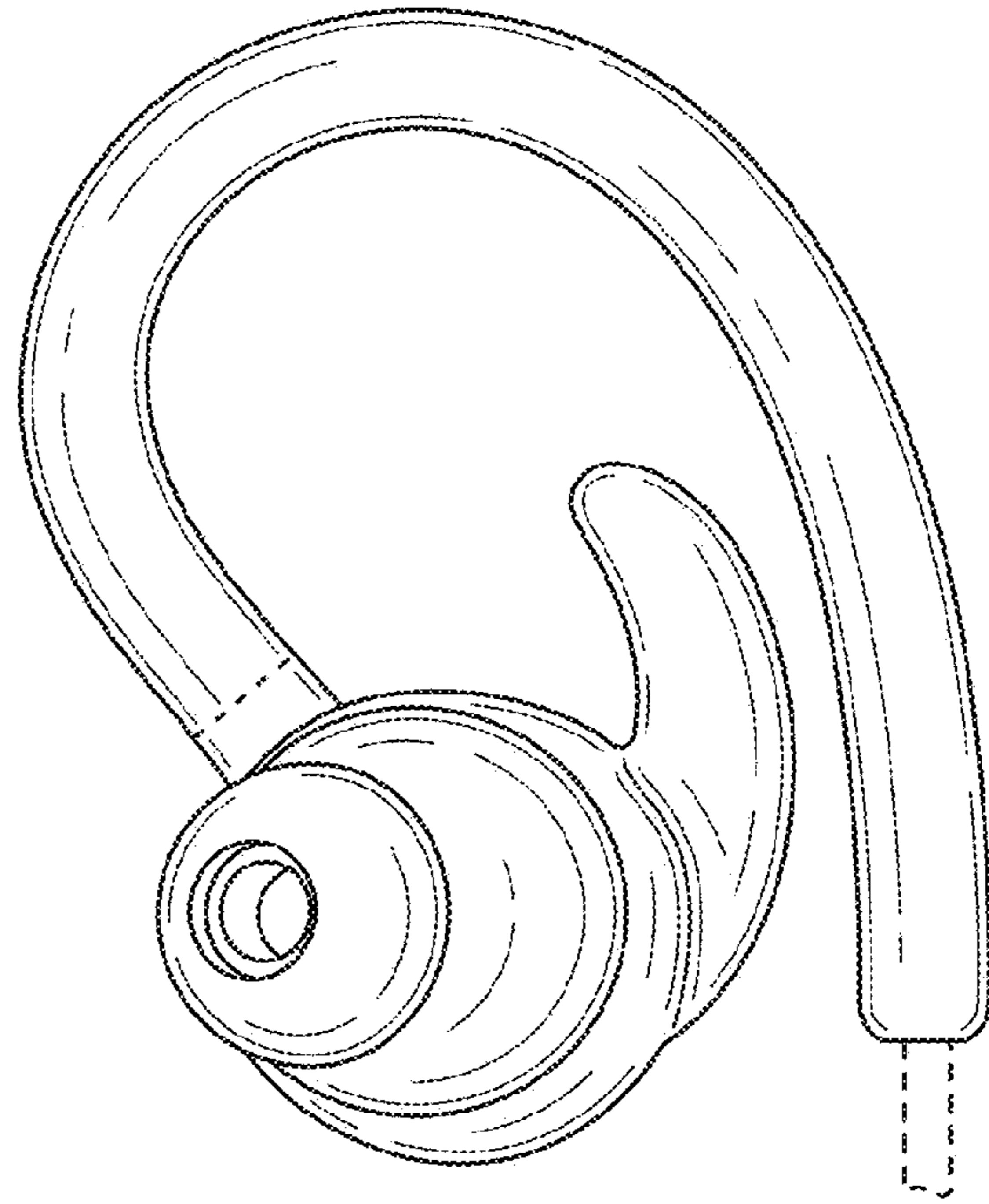


FIG. 10

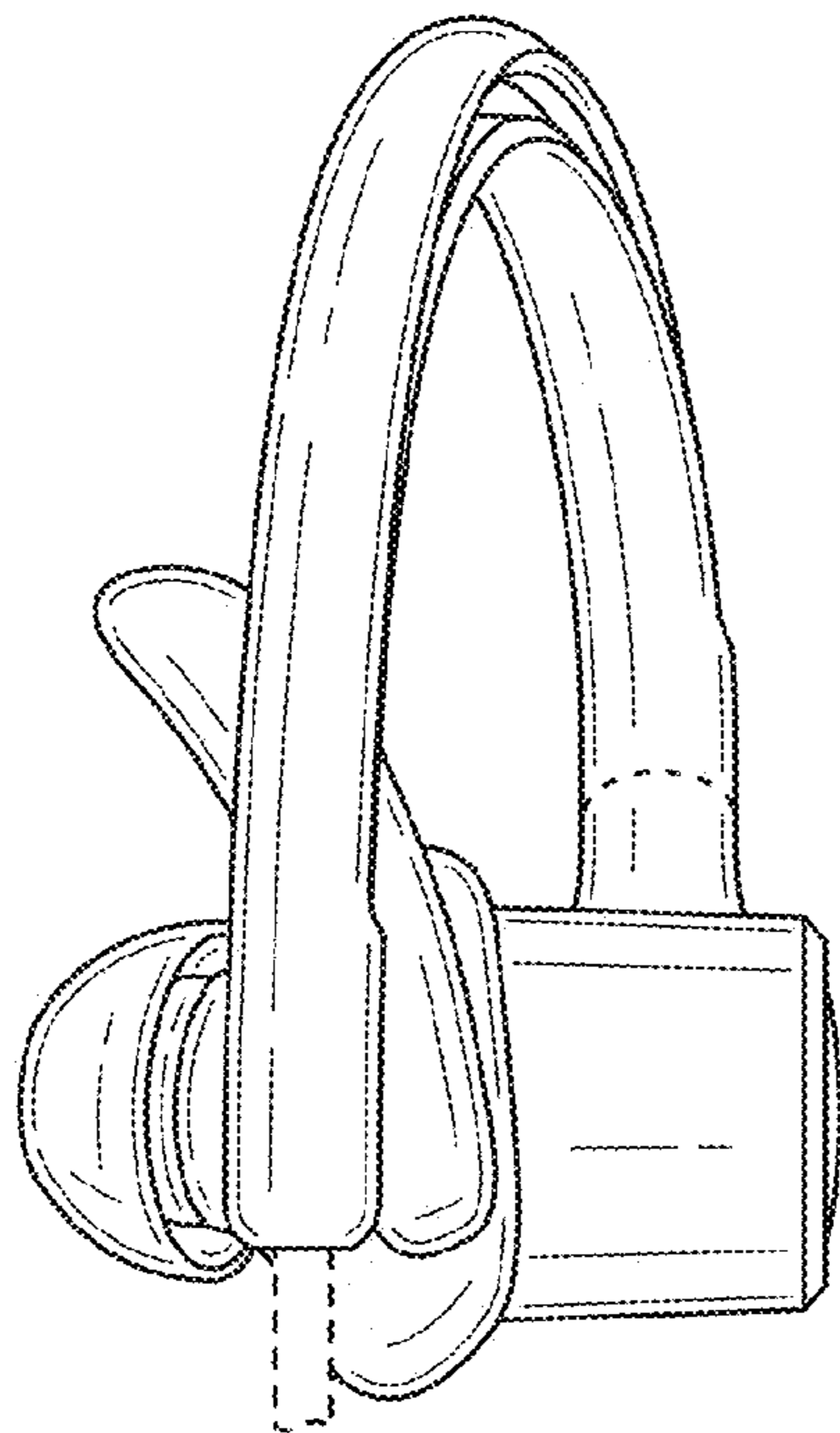


FIG. 11

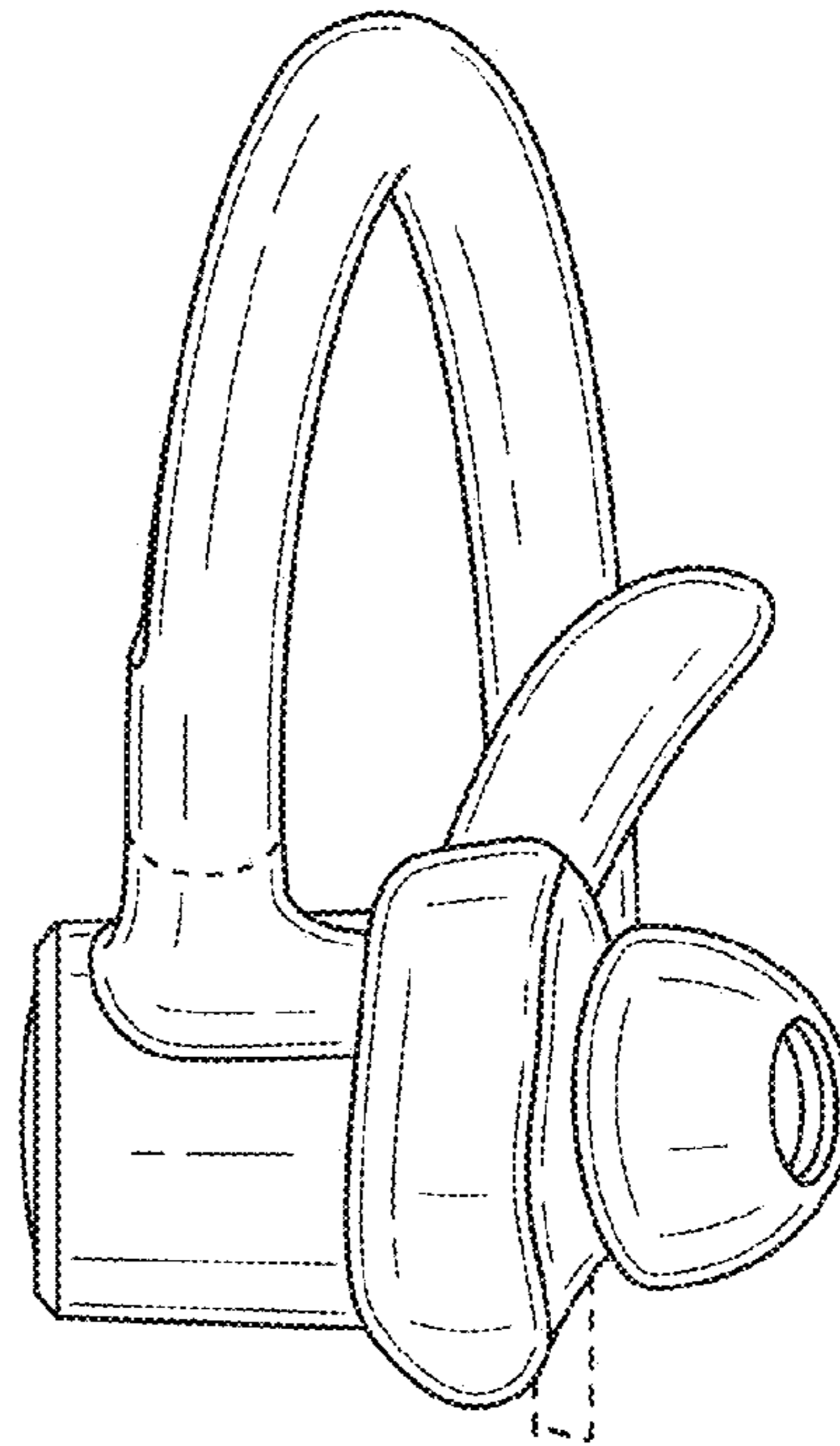


FIG. 12

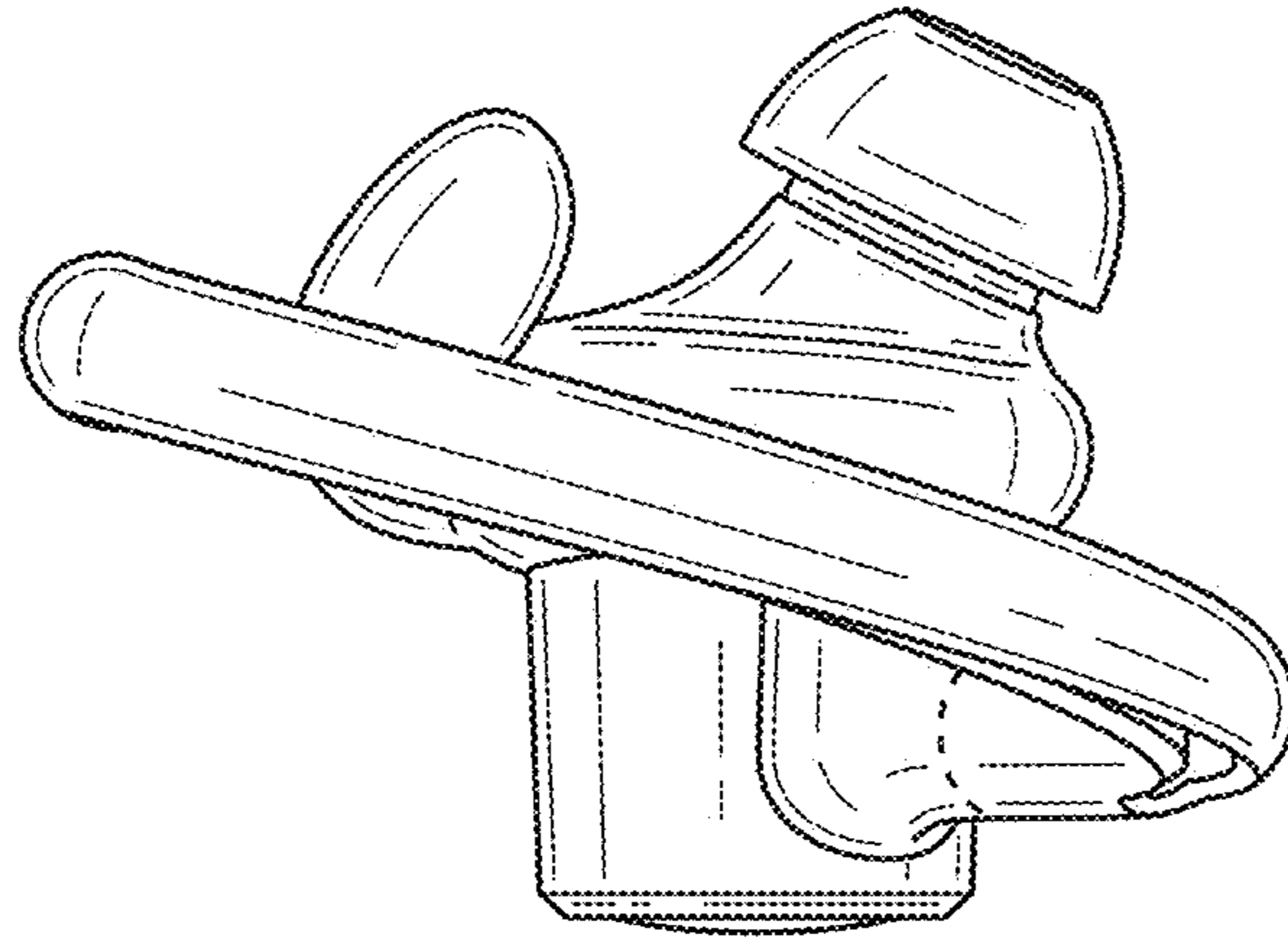


FIG. 13

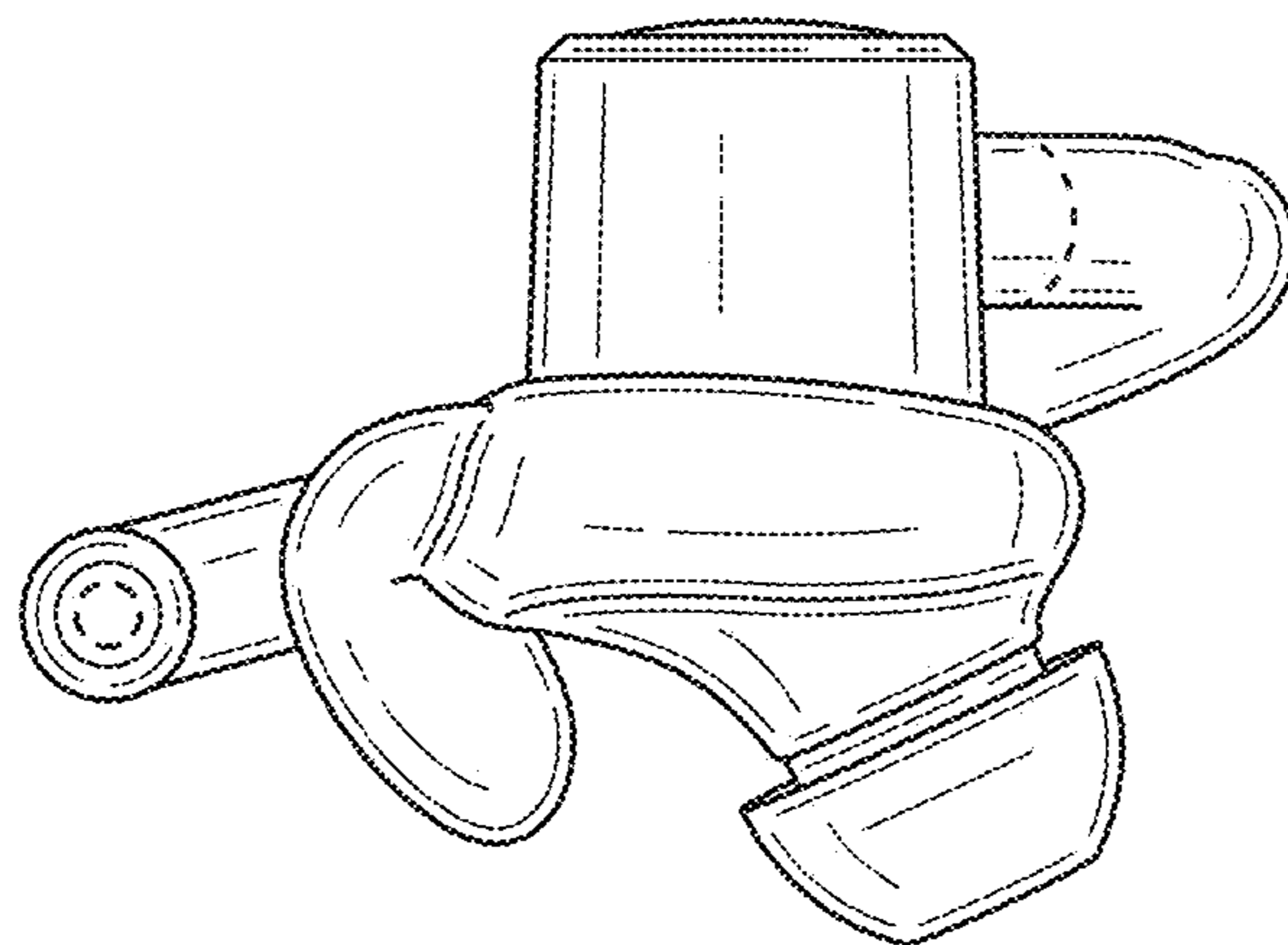


FIG. 14