



US00D949829S

(12) **United States Design Patent**
Yan et al.

(10) **Patent No.:** **US D949,829 S**
(45) **Date of Patent:** **** Apr. 26, 2022**

(54) **REMOTE CONTROL**

(71) Applicant: **Eaton Intelligent Power Limited,**
Dublin (IE)

(72) Inventors: **Jun Yan,** Cary, NC (US); **Benjamin Hannigan,** Pittsburgh, PA (US)

(73) Assignee: **Eaton Intelligent Power Limited,**
Dublin (IE)

(**) Term: **15 Years**

(21) Appl. No.: **29/729,986**

(22) Filed: **Mar. 31, 2020**

(51) **LOC (13) Cl.** **14-03**

(52) **U.S. Cl.**
USPC **D14/218**

(58) **Field of Classification Search**
USPC D14/218; D13/168, 162-164
CPC . H04N 7/00; B60R 25/00; H01H 3/14; H01H
9/00

See application file for complete search history.

(56) **References Cited**

U.S. PATENT DOCUMENTS

D300,030 S *	2/1989	Barrett	D14/218
D346,148 S	4/1994	Chen		
D354,477 S *	1/1995	Kawamura	D14/218
5,424,588 A	6/1995	Cantor		
D424,060 S *	5/2000	Baker	D14/218
D426,826 S *	6/2000	Uehara	D14/218
D456,006 S	4/2002	Maher		
D470,103 S	2/2003	Nishida		
D478,894 S *	8/2003	Oikawa	D14/218
D520,989 S *	5/2006	Miller	D14/218
D530,276 S	10/2006	Albano		
D541,216 S	4/2007	Albano		
D551,620 S	9/2007	McClelland, II		
D601,956 S	10/2009	Liu		
D606,981 S *	12/2009	Kaneko	D14/218

D612,803 S	3/2010	Du		
D631,469 S *	1/2011	Demskie	D14/218
D635,556 S *	4/2011	Suzuki	D14/218

(Continued)

FOREIGN PATENT DOCUMENTS

CN 305498841 * 12/2019

OTHER PUBLICATIONS

Eaton FERRUPS UPS FE Series 60 HZ, Eaton Electrical Sector, 2014, 2 pages.

(Continued)

Primary Examiner — John R Yeh

(74) *Attorney, Agent, or Firm* — Stanek Lemon Crouse & Meeks, PA

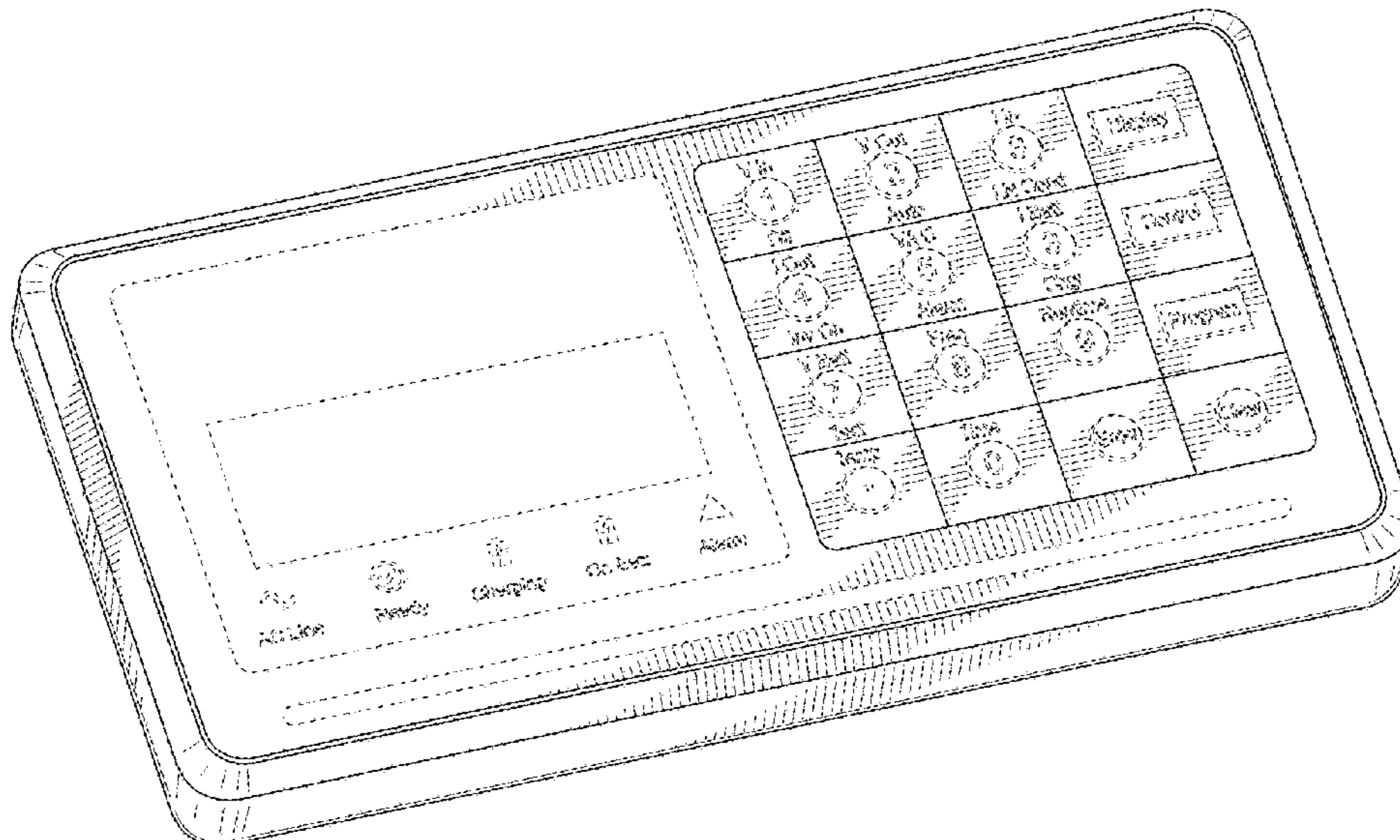
(57) **CLAIM**

The ornamental design for a remote control, as shown and described.

DESCRIPTION

FIG. 1 is a front perspective view of a remote control showing our design;
 FIG. 2 is a front view thereof;
 FIG. 3 is a rear view thereof;
 FIG. 4 is a side view thereof;
 FIG. 5 is a side view thereof, opposite that shown in FIG. 4;
 FIG. 6 is a top view of the remote control;
 FIG. 7 is a bottom view thereof;
 FIG. 8 is a front perspective view of the remote control positioned in an uninterruptible power system;
 FIG. 9 is a front perspective view of the remote control in an environmental use condition; and,
 FIG. 10 is a front perspective view of the remote control in an environmental use condition.
 The broken lines in the drawings illustrate portions of the remote control that form no part of the claimed design.

1 Claim, 10 Drawing Sheets



(56)

References Cited

U.S. PATENT DOCUMENTS

D642,160 S * 7/2011 Roberts
D689,037 S * 9/2013 Sumi D14/159
D721,814 S * 1/2015 Creed D24/185
D770,975 S 11/2016 Nada
D778,844 S * 2/2017 Tsuduki D13/168
D802,530 S 11/2017 Adams
10,094,585 B2 * 10/2018 Leen G05B 15/02
D844,561 S 4/2019 Gou
D868,020 S * 11/2019 Deng D14/159
D873,823 S * 1/2020 Kurita D14/371
D897,970 S * 10/2020 Beilfuss D13/162
D914,643 S * 3/2021 Liu D14/218
2009/0115723 A1 * 5/2009 Henty H04N 21/42225
345/158
2017/0312845 A1 * 11/2017 Chantry B23K 9/013

OTHER PUBLICATIONS

FERRUPS Shipboard SEACOTS UPCS, Eaton Corporation, Product Brochure, 2012, 4 pages.
Eaton FERRUPS FE Series 50 Hz, Eaton Electrical Sector, 2014, 2 pages.
Eaton FERRUPS Rackmount 60 Hz, Eaton Corporation, 2011, 2 pages.

* cited by examiner

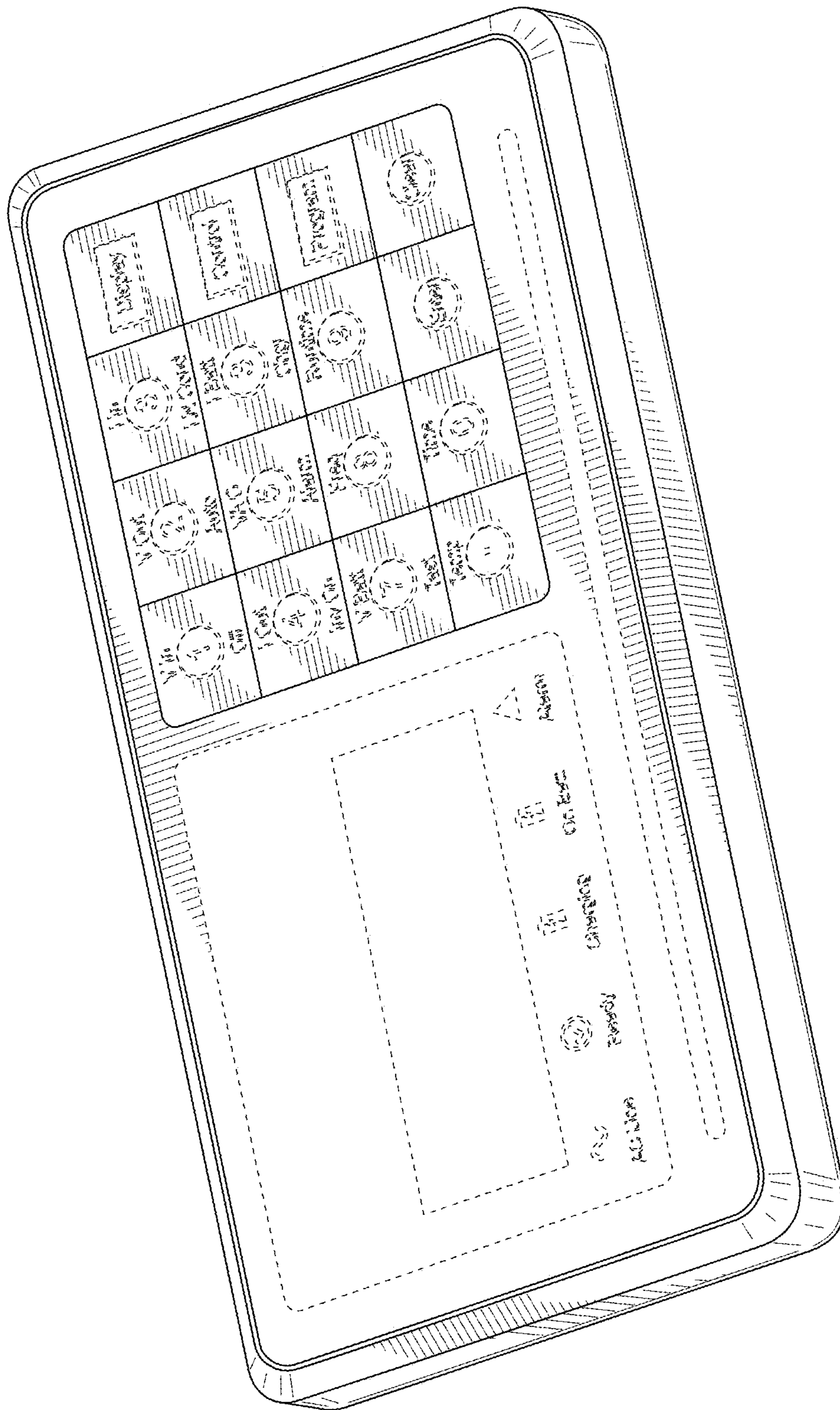


FIG. 1

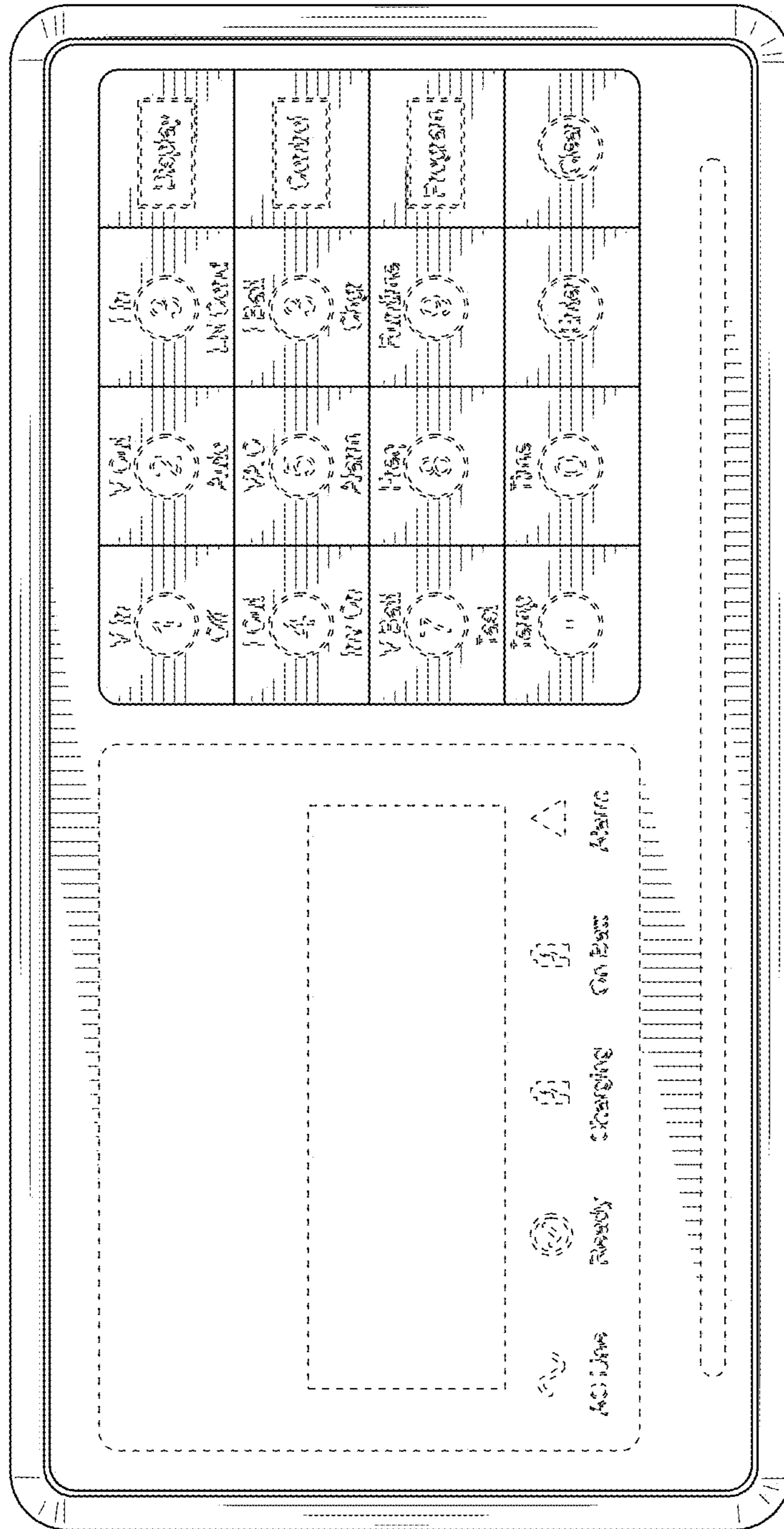


FIG. 2

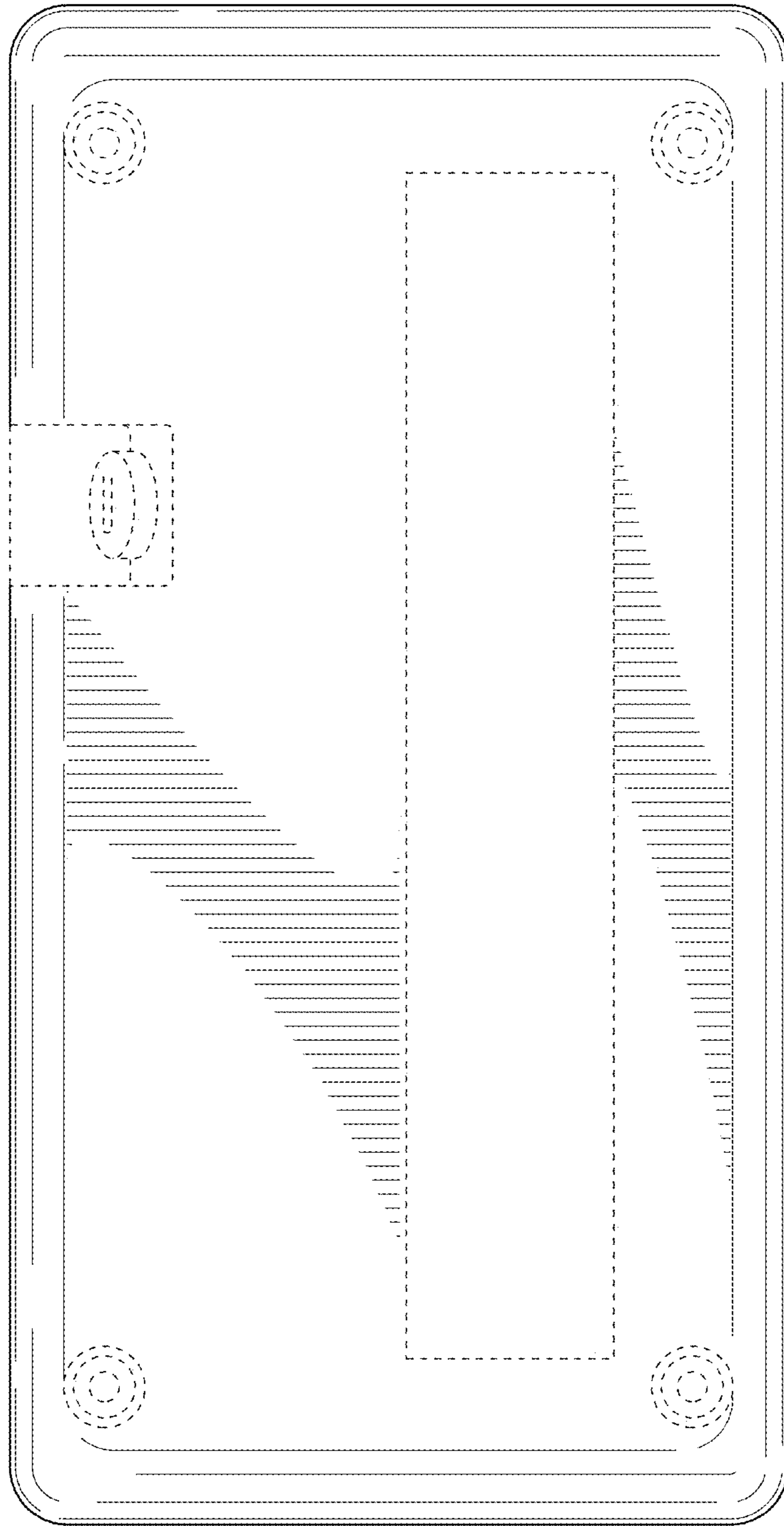


FIG. 3

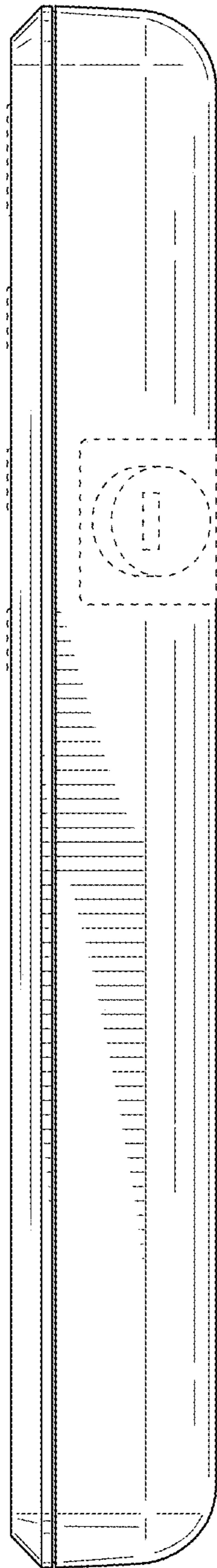


FIG. 4

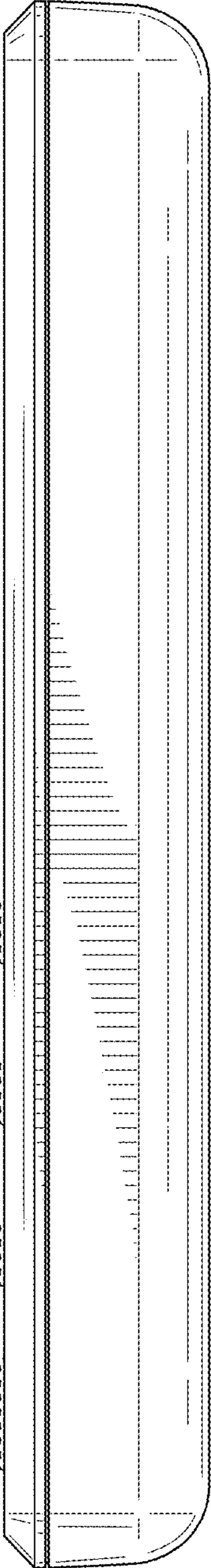


FIG. 5

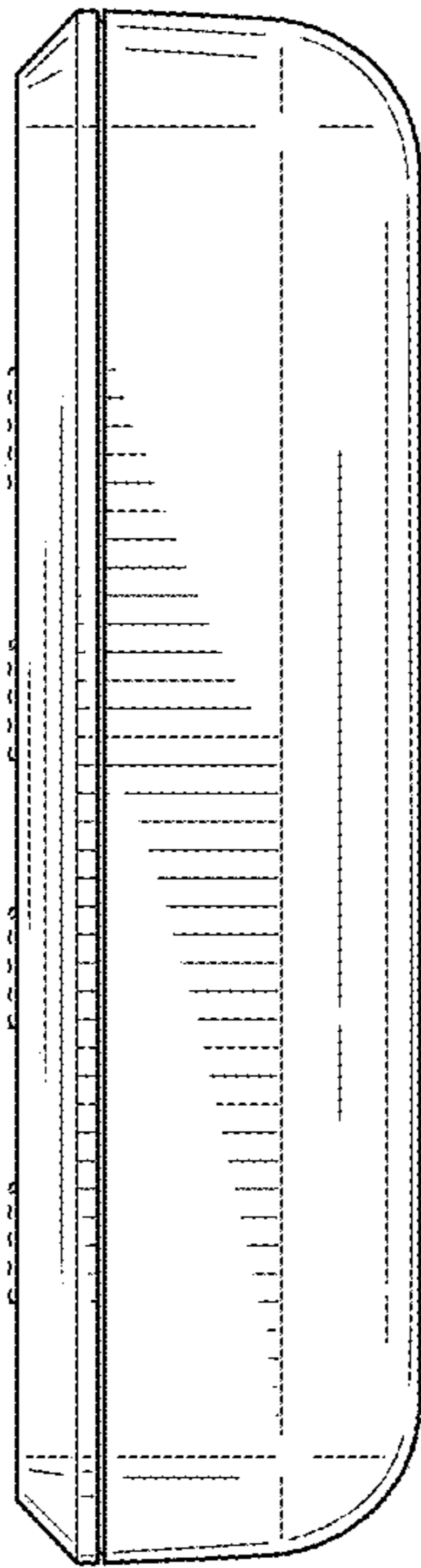


FIG. 6

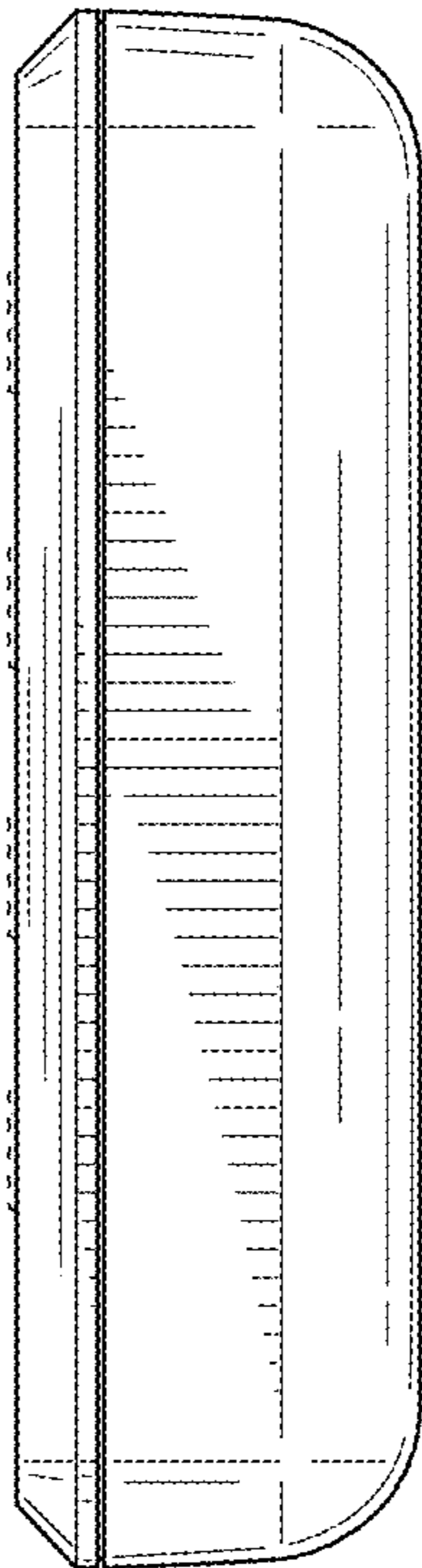


FIG. 7

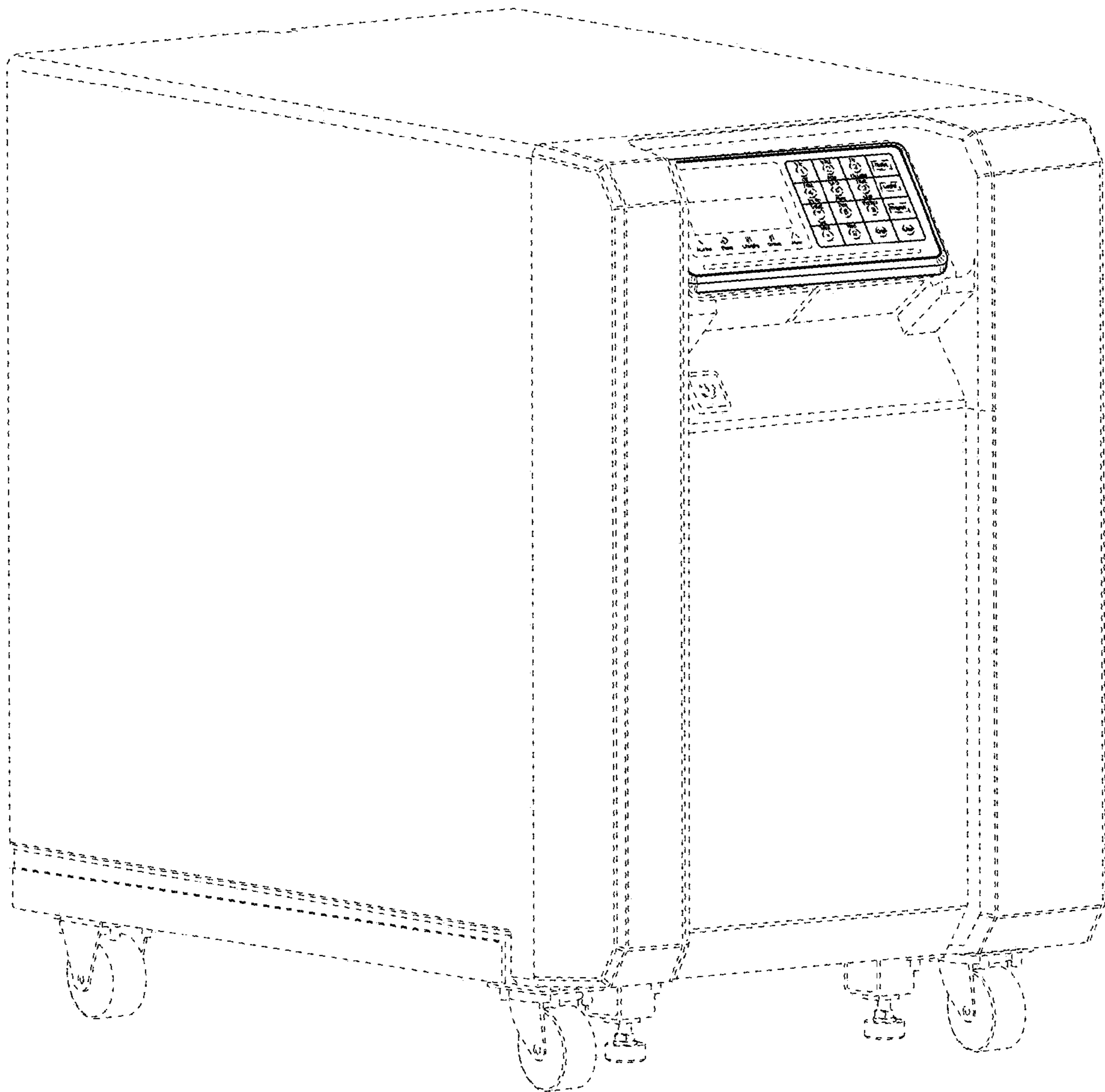


FIG. 8

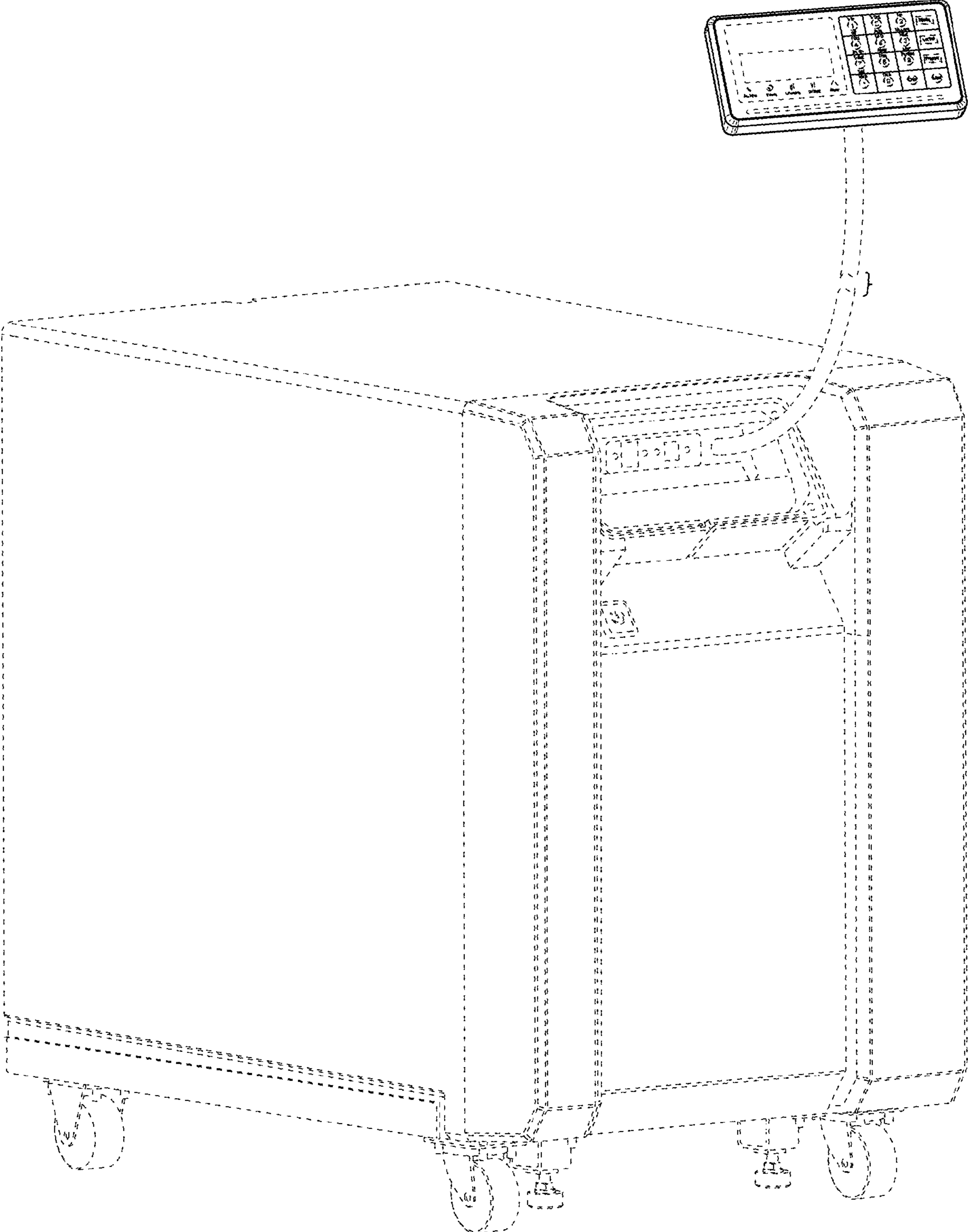


FIG. 9

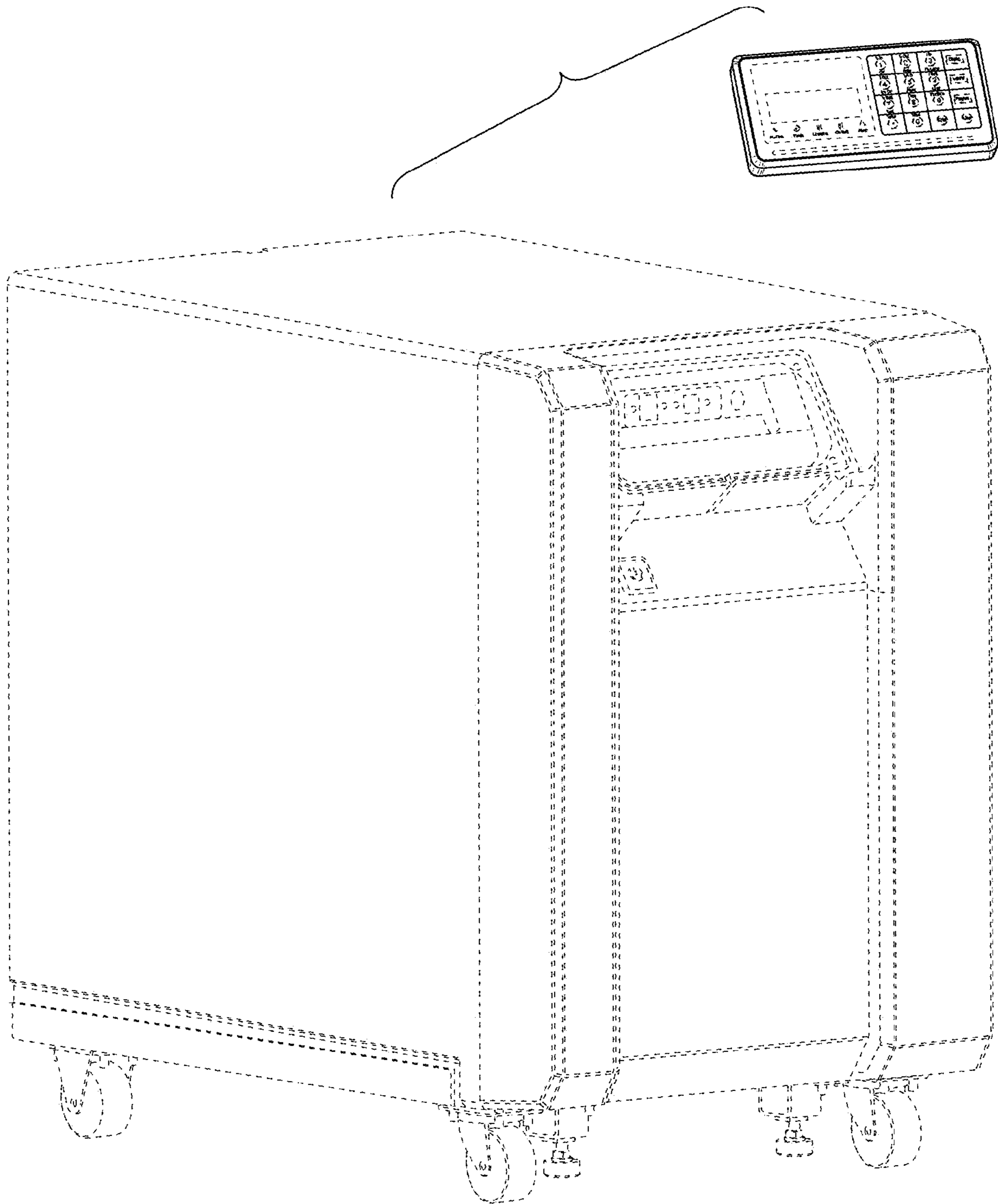


FIG. 10