



US00D949828S

(12) **United States Design Patent**
Kuo

(10) **Patent No.:** **US D949,828 S**

(45) **Date of Patent:** **** Apr. 26, 2022**

(54) **STRAP HOLDER**

(71) Applicant: **GETAC TECHNOLOGY CORPORATION**, Hsinchu County (TW)

(72) Inventor: **Hsiu-Yu Kuo**, Taipei (TW)

(73) Assignee: **GETAC TECHNOLOGY CORPORATION**, Hsinchu County (TW)

(**) Term: **15 Years**

(21) Appl. No.: **29/714,278**

(22) Filed: **Nov. 21, 2019**

(51) **LOC (13) Cl.** **14-01**

(52) **U.S. Cl.**
USPC **D14/217**

(58) **Field of Classification Search**
USPC ... D14/159, 208, 209.1, 215, 216, 217, 219, D14/221, 222, 223, 224, 224.1, 225, 226, D14/228, 229, 344, 345, 299; D3/201, D3/273, 274, 294, 295; D13/108
CPC .. A45F 3/00; A45F 3/001; A45F 3/002; A45F 3/14; A45F 3/142; A45F 3/144; A45F 3/146; A45F 3/148; H04R 2420/07; H04R 5/02; H04R 1/403; H04R 2201/028; G06F 1/1628; G06F 1/1626; A47B 23/044

See application file for complete search history.

(56) **References Cited**

U.S. PATENT DOCUMENTS

- D494,963 S * 8/2004 Schwimmer D14/253
- D626,123 S * 10/2010 Peng D14/324
- D641,004 S * 7/2011 Poandl D14/209.1
- D694,752 S * 12/2013 Li D14/341
- 8,653,359 B2 * 2/2014 Sheng H02S 40/36
136/251
- D746,262 S * 12/2015 Barker D14/208
- D781,851 S * 3/2017 Tago D14/344
- D807,897 S * 1/2018 Dahan D14/480.1

(Continued)

FOREIGN PATENT DOCUMENTS

- CN 306138237 * 10/2020
- CN 307040665 * 12/2021

(Continued)

OTHER PUBLICATIONS

SafePort® Rugged Case Shoulder Strap, announced © 2022 [online], retrieved Feb. 11, 2022, retrieved from internet, https://us.targus.com/products/safeport-rugged-case-shoulder-strap-tha101glz?variant=14359481974842?gclid=Cj0KCQiAr5iQBhCsARIsAPcwROO2SCNn_3suqNHcSr3YtUCPYqjOi_0hyQhVw00nrZA0NN1AWYO5NQIaAvycEALw_wcB.*

(Continued)

Primary Examiner — Messina L Smith

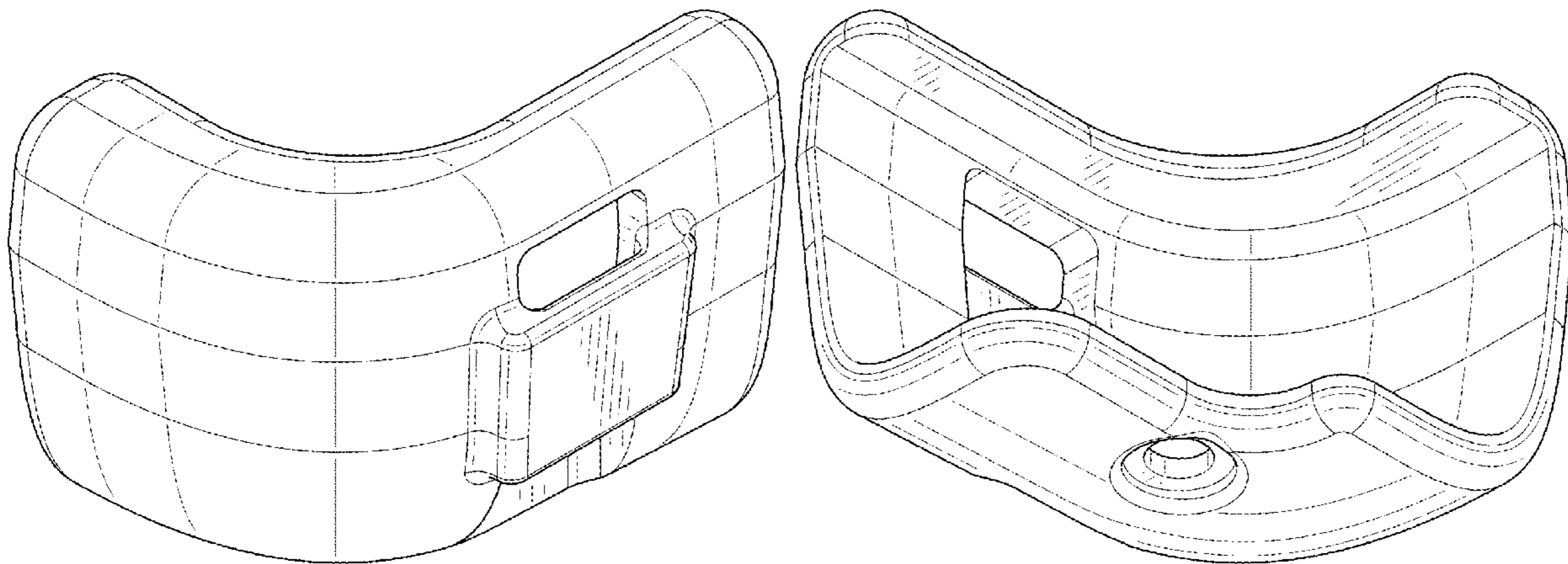
(57) **CLAIM**

The ornamental design for a strap holder, as shown and described.

DESCRIPTION

FIG. 1 is a front, top, left side perspective view of a strap holder showing my new design; FIG. 2 is a front elevational view thereof; FIG. 3 is a rear elevational view thereof; FIG. 4 is a left side elevational view thereof; FIG. 5 is a right side elevational view thereof; FIG. 6 is a top plan view thereof; FIG. 7 is a bottom plan view thereof; FIG. 8 is a rear, bottom, right side perspective view thereof; FIG. 9 is a front, top, left side first perspective view of the strap holder shown in a reference view of usage; and, FIG. 10 is a front, top, left side second perspective view of the strap holder shown in a reference view of usage. The broken lines are shown for the purpose of illustrating environmental structure that forms no part of the claimed design.

1 Claim, 7 Drawing Sheets



(56)

References Cited

U.S. PATENT DOCUMENTS

D815,089 S * 4/2018 Grening D14/344
 D843,364 S * 3/2019 Sasaki D14/250
 D847,119 S * 4/2019 Theisen D14/209.1
 D872,092 S * 1/2020 Cheng D14/440
 10,608,384 B2 * 3/2020 Warren H01R 31/06
 D893,656 S * 8/2020 Azar Cohen D21/803
 D902,915 S * 11/2020 Shi D14/253
 D910,024 S * 2/2021 Giazzon D14/440
 D920,320 S * 5/2021 Huang D14/253
 D926,760 S * 8/2021 Zhong D14/392
 D928,120 S * 8/2021 Lee D14/217
 11,099,610 B1 * 8/2021 Chung G06F 1/1626
 D937,842 S * 12/2021 Hung D14/440
 2007/0051766 A1 * 3/2007 Spencer G06F 1/1628
 2015/0049425 A1 * 2/2015 Gathings G06F 1/1628
 2015/0169000 A1 * 6/2015 Papania F16M 13/04
 2021/0227960 A1 * 7/2021 Carnevali A45F 5/10

FOREIGN PATENT DOCUMENTS

EM 007721345-0003 * 2/2020
 EM 007975479-0001 * 5/2020
 EM 008628234-0001 * 7/2021
 EM 008647200-0001 * 8/2021
 JP 2021002584 A * 1/2021

OTHER PUBLICATIONS

Zebra L10 Strap, announced © 2022 [online], retrieved Feb. 11, 2022, retrieved from internet, <https://www.advanced-automationinc.com/zebra-l10-strap-410057/?gclid=Cj0KCQiAr5iQBhCsARIsAPc>

wROOAwlnogSfP3QVvKkx770amOj6XHYWXjvH9F2RbGiyMmbNpvcgilT2oaAmYYEALw_wcB.*

360° Swivel Kickstand PC, announced © 2022 [online], retrieved Feb. 11, 2022, retrieved from internet, <https://www.tvc-mall.com/details/for-samsung-galaxy-tab-s7-built-in-hand-holder-strap-360-swivel-kickstand-pc-silicone-tablet-hybrid-shell-with-shoulder-strap-and-pen-slot-all-black-sku101230217a.html>.*

Amzer Tuffen Case with 360 Degree Rotating Holder with Shoulder Strap, announced © 2022 [online], retrieved Feb. 11, 2022, retrieved from internet, <https://fommy.com/products/amzer-tuffen-case-with-360-degree-rotating-holder-with-shoulder-strap-for-ipad-10-2?variant=32889329418263>.*

MoKo Case Fit Microsoft Surface Pro 7, announced © 2022 [online], retrieved Feb. 11, 2022, retrieved from internet, <https://www.directnine.it/products/moko-case-fit-microsoft-surface-pro-7-pro-6-pro-5-pro-2017-pro-4-pro-lte-allinone-protective-rugged-cover-case-with-pen-holder-hand-strap-compatible-with-type-cover-keyboard-black>.*

Corners iPad Corner Protector Offers Minimal Caseless Design, announced Jun. 5, 2014 [online], retrieved Feb. 11, 2022, retrieved from internet, <https://www.geeky-gadgets.com/icorners-ipad-corner-protector-offers-minimal-caseless-design-05-06-2014/>.*

Baby home safety rubber corner guard tablet corner protector, no announcement date [online], retrieved Feb. 11, 2022, retrieved from internet, https://www.alibaba.com/product-detail/Baby-home-safety-rubber-corner-guard_60442830645.html.*

Case for Lenovo Smart Tab, announced Oct. 29, 2019 [online], retrieved Feb. 11, 2022, retrieved from internet, <https://www.u-buy.com.tw/en/product/ZDH9QPK-hxcaseac-case-for-lenovo-tab-m8-8-0-inch-shockproof-full-body-protective-case-with-screen-protector>.*

* cited by examiner

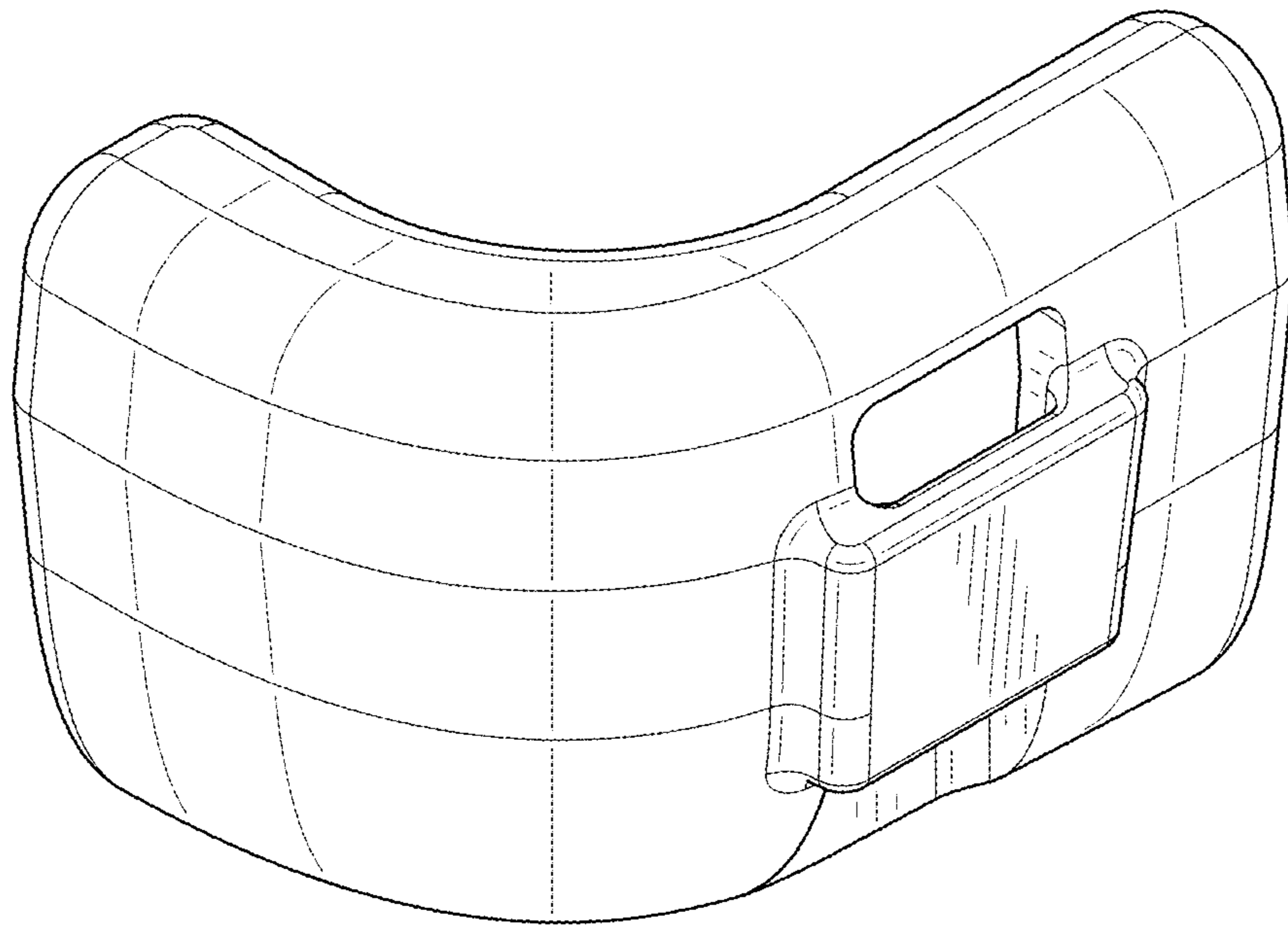


FIG. 1

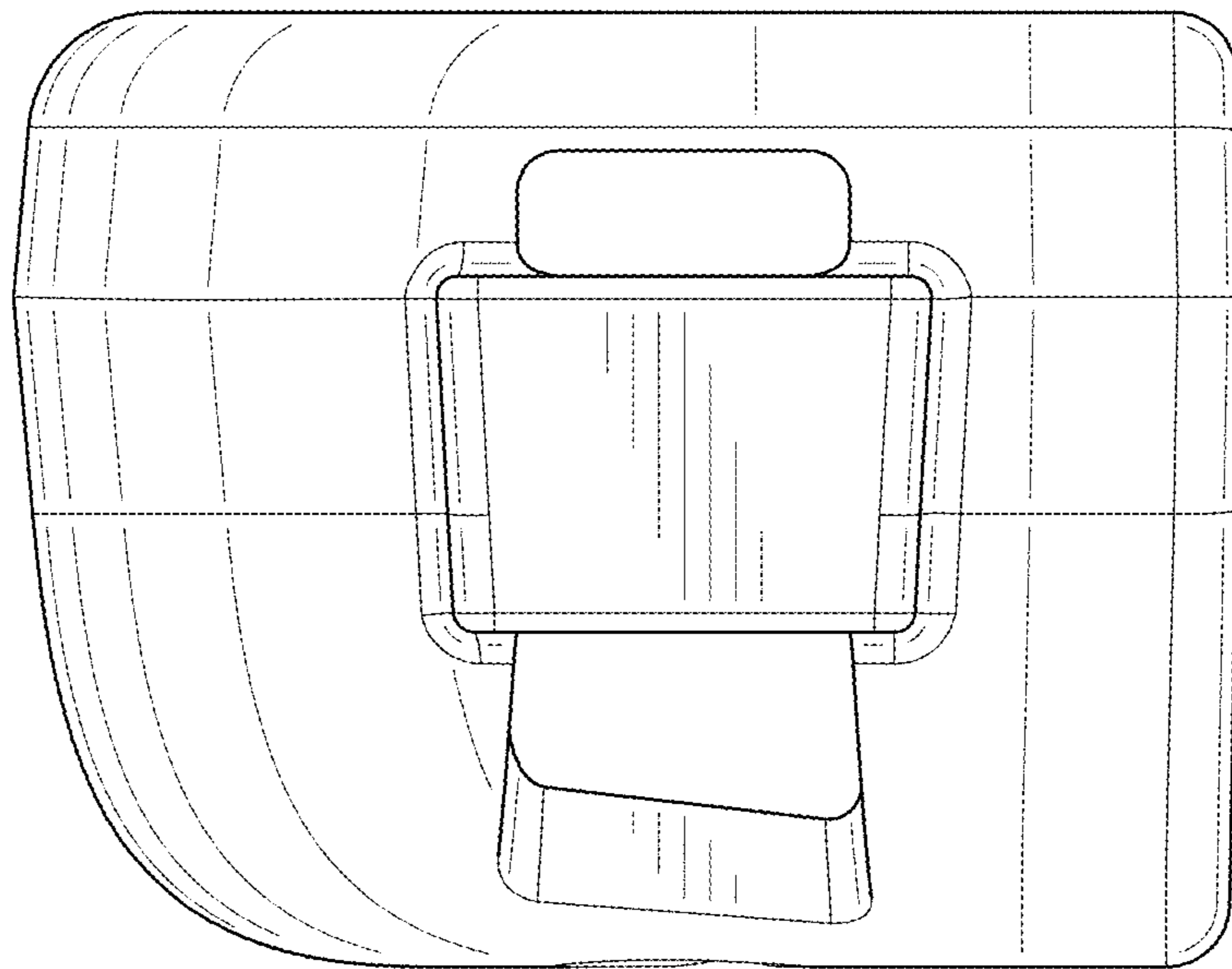


FIG. 2

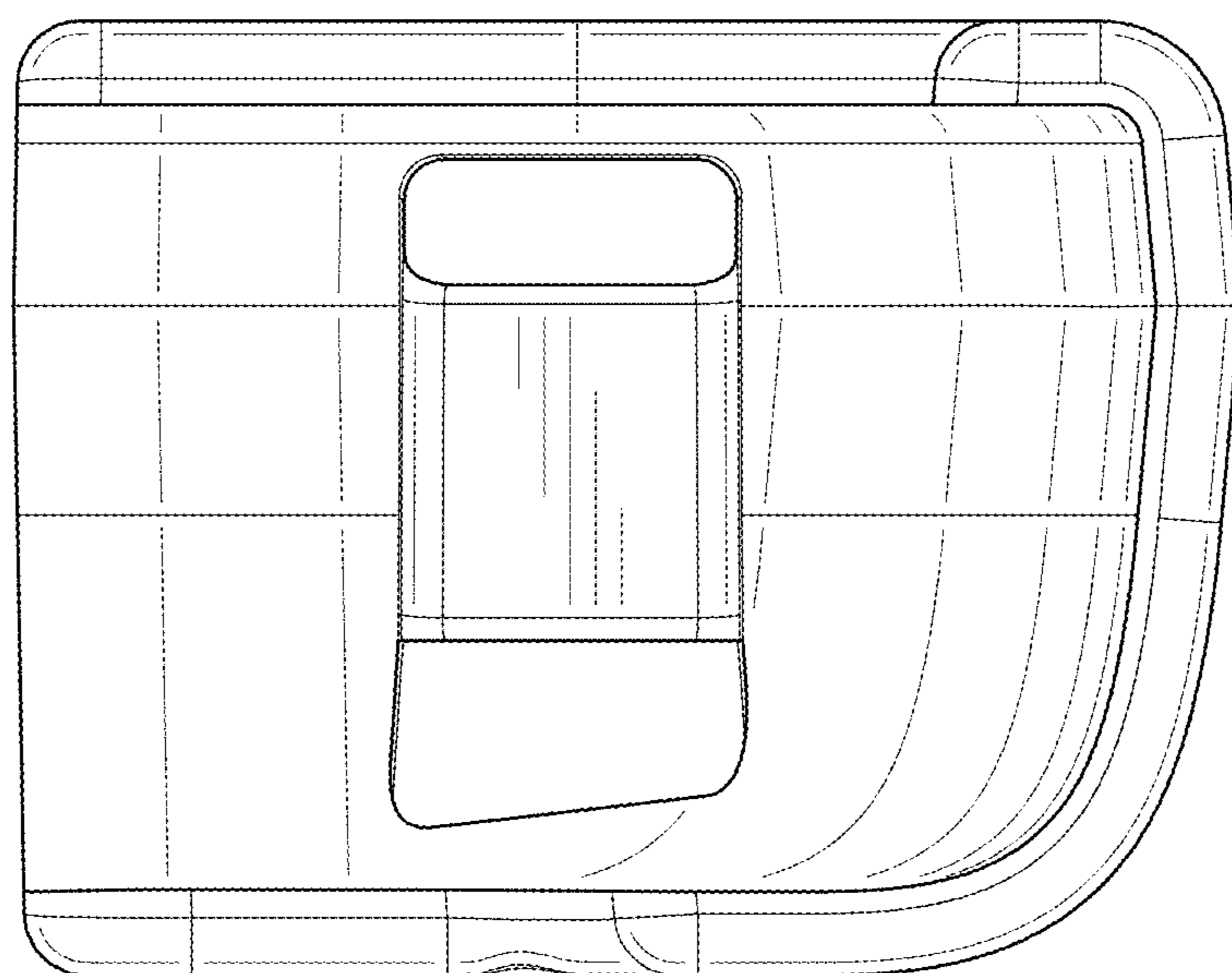


FIG. 3

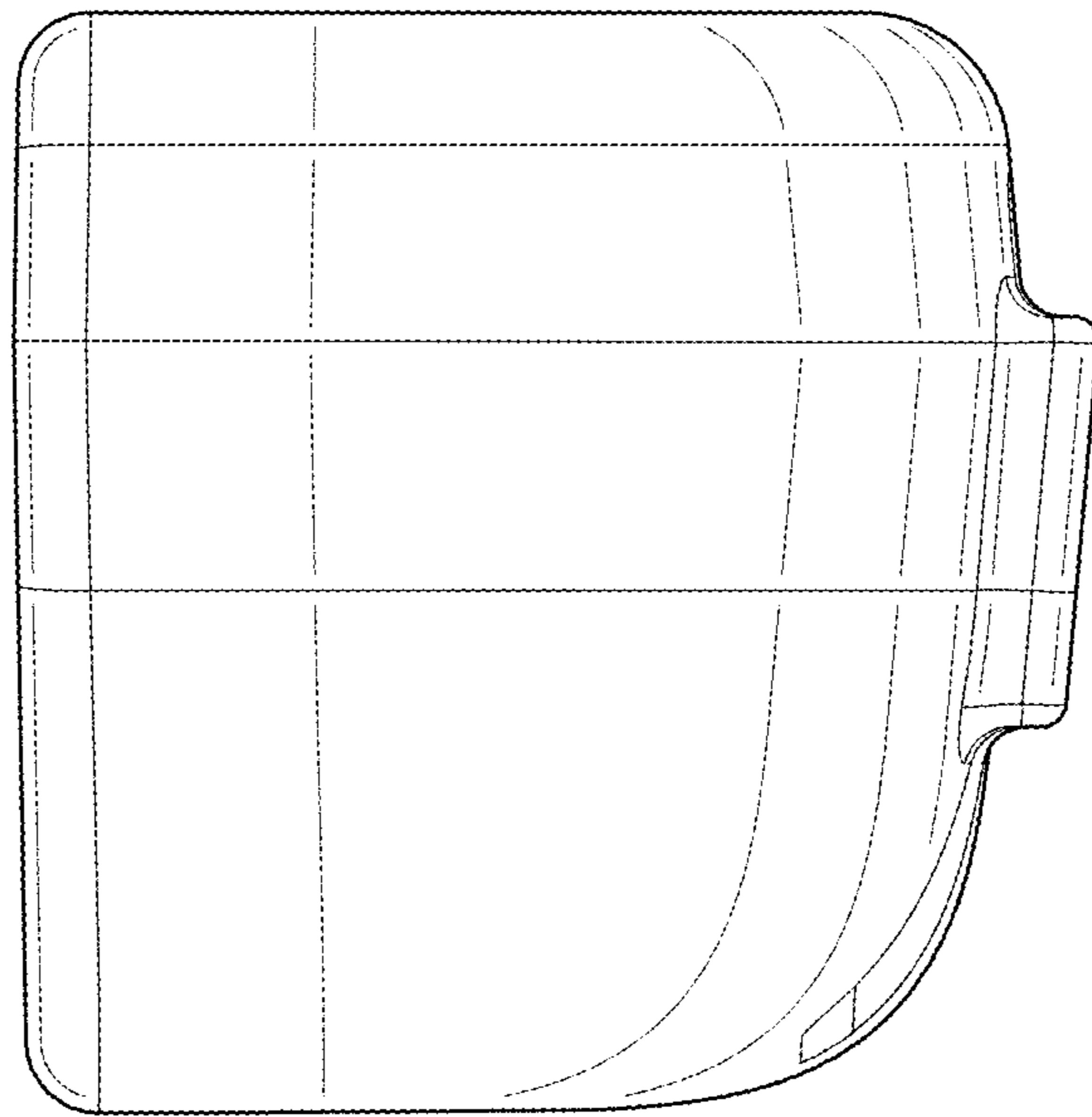


FIG. 4

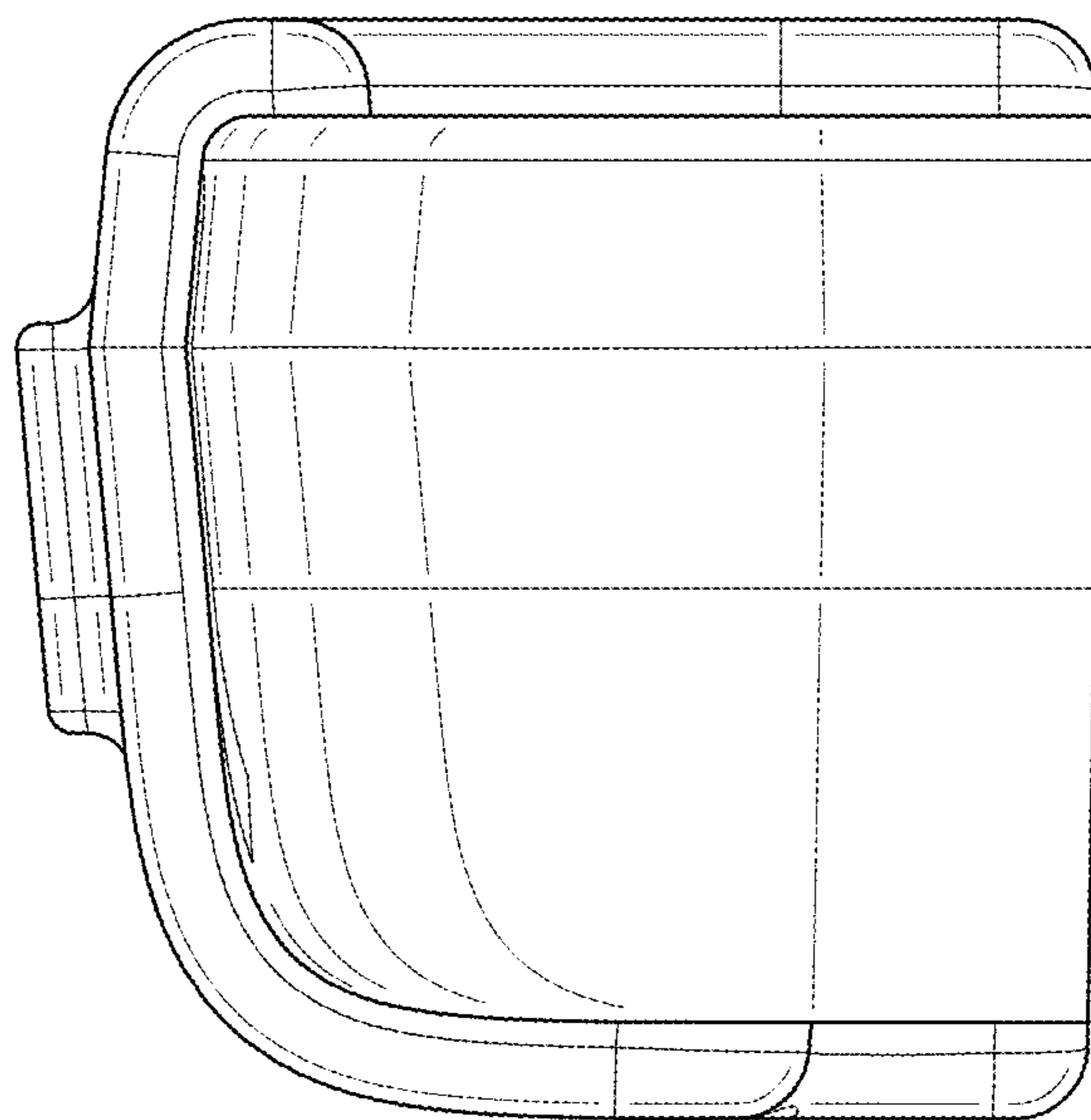


FIG. 5

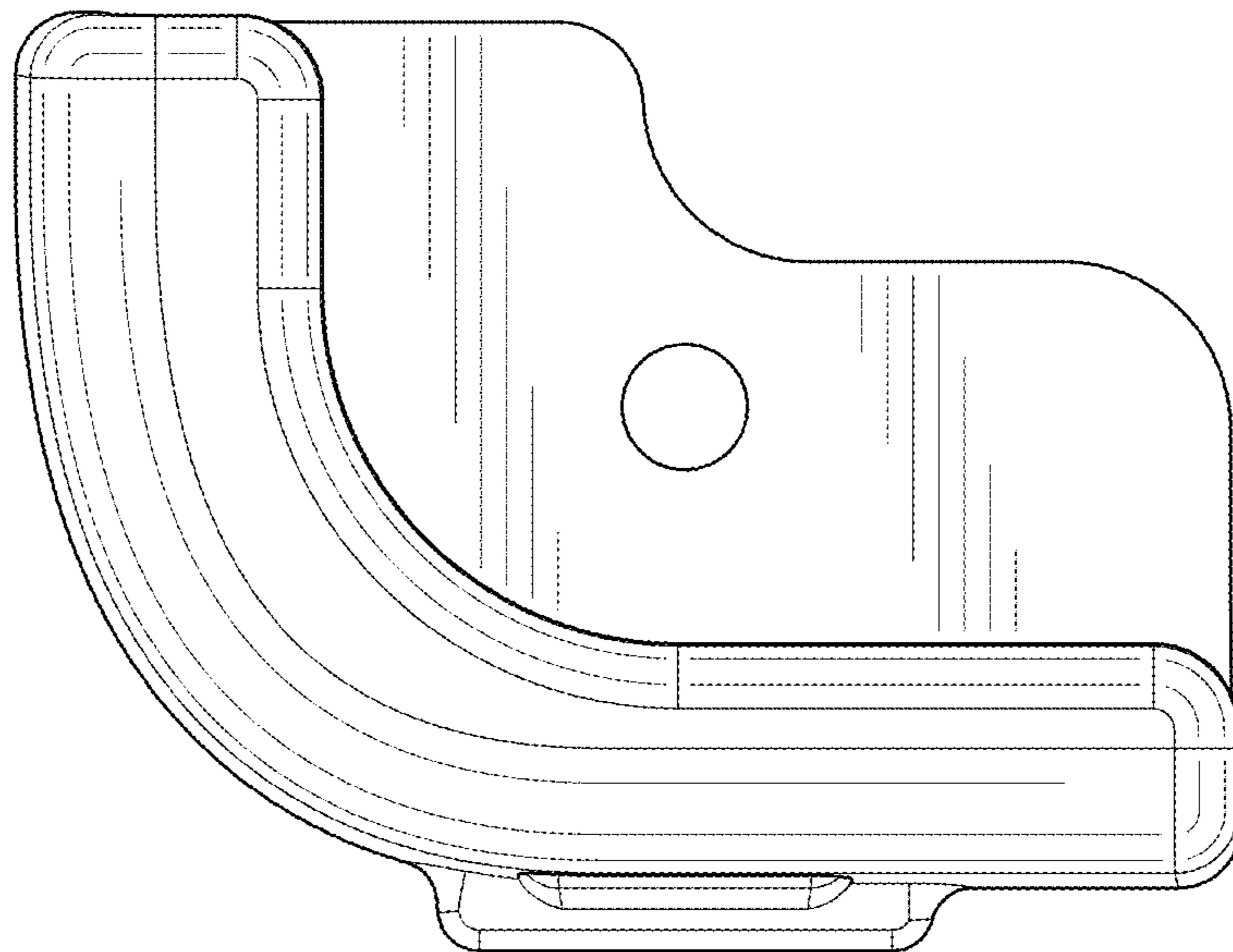


FIG. 6

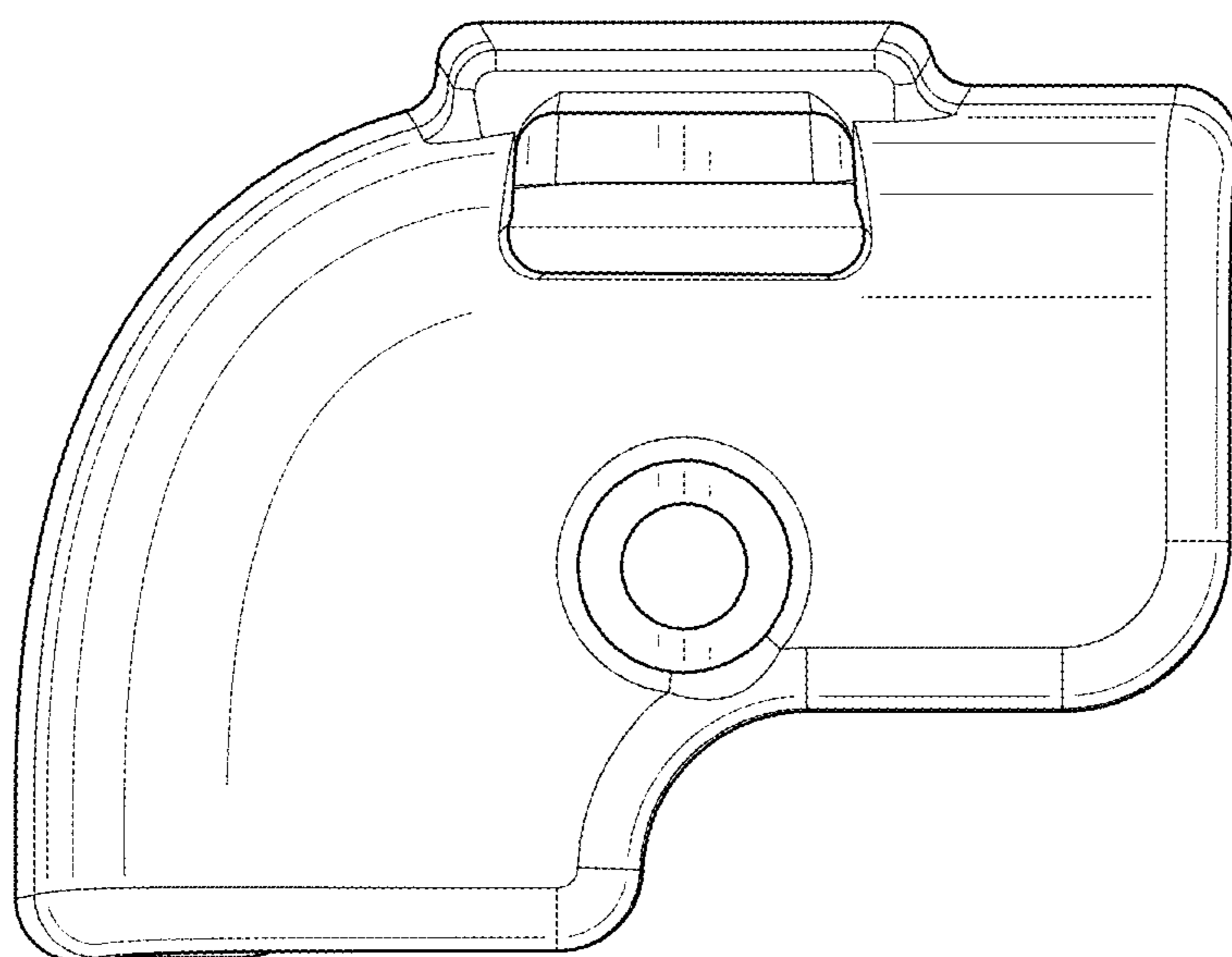


FIG. 7

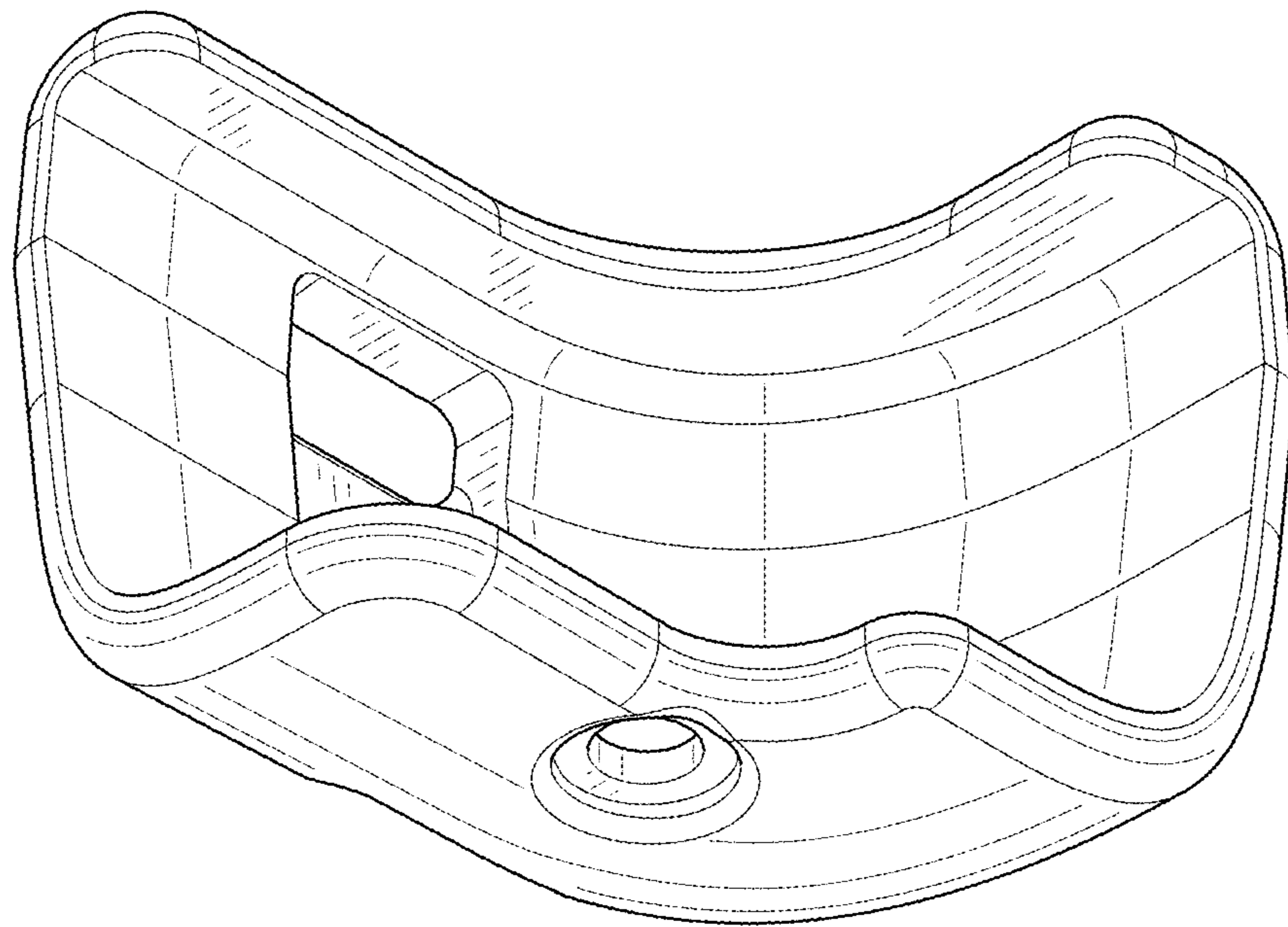


FIG. 8

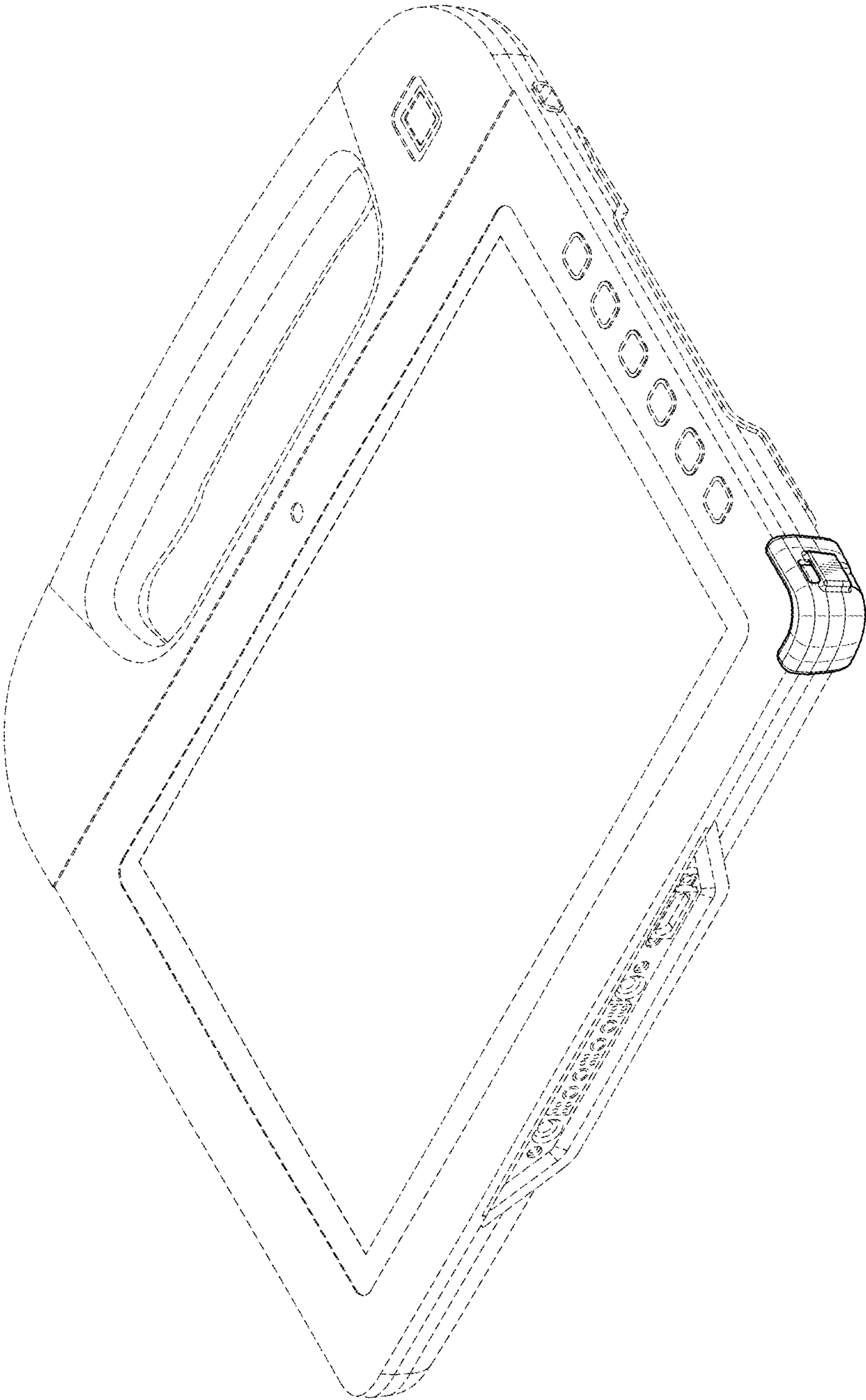


FIG. 9

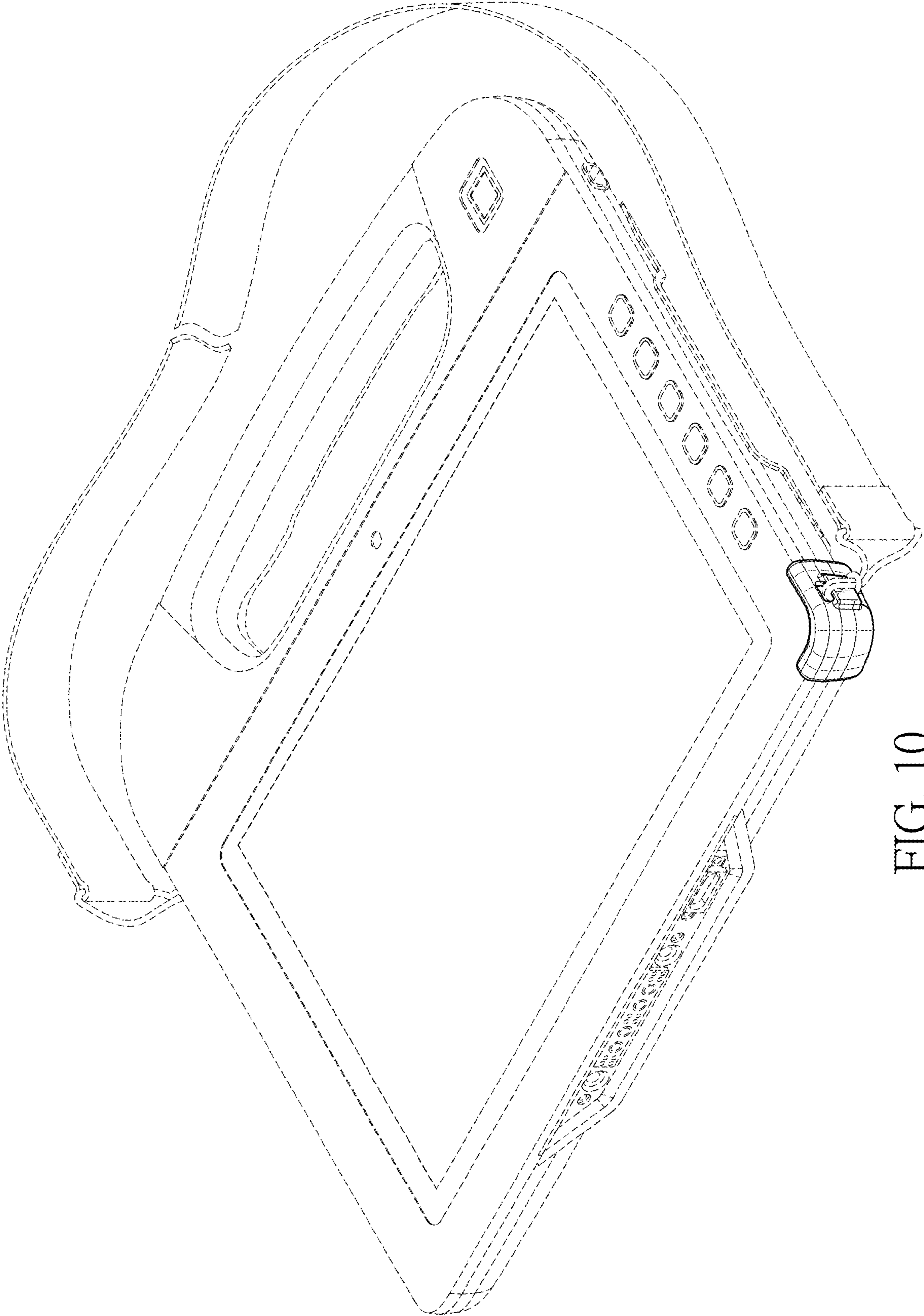


FIG. 10