



US00D949826S

(12) **United States Design Patent**
Elfassy

(10) **Patent No.:** **US D949,826 S**

(45) **Date of Patent:** **** Apr. 26, 2022**

(54) **WIRELESS SPEAKER**

(71) Applicant: **ECLECTIC DISTRIBUTION**, Paris (FR)

(72) Inventor: **Jonas Elfassy**, Paris (FR)

(73) Assignee: **ECLECTIC DISTRIBUTION**, Paris (FR)

(**) Term: **15 Years**

(21) Appl. No.: **29/700,352**

(22) Filed: **Aug. 1, 2019**

(51) **LOC (13) Cl.** **14-01**

(52) **U.S. Cl.**
USPC **D14/215**

(58) **Field of Classification Search**
USPC D14/209–219, 167–172, 188, 199,
D14/194–196, 204, 221–222, 224, 496,
D14/265, 432–434; D21/516, 513, 324,
D21/478–480, 499; D13/168;
D23/332–336, 352, 355–366, 269,
D23/135–137; D26/135, 137, 22, 51, 9,
D26/93

CPC H04R 1/02; H04R 1/021; H04R 1/023;
H04R 5/00; H04R 9/06; H04R 2420/07

See application file for complete search history.

(56) **References Cited**

U.S. PATENT DOCUMENTS

D732,006 S *	6/2015	Zhao	D14/216
D756,955 S *	5/2016	Wagner	D14/203.6
D756,957 S *	5/2016	Nylen	D14/204
D825,529 S *	8/2018	Huang	D14/216
D832,821 S *	11/2018	Jeon	D14/215
D847,324 S *	4/2019	Zuo	D23/366
D866,518 S *	11/2019	Ding	D14/216
D868,032 S *	11/2019	Wen	D14/216
D870,258 S *	12/2019	Song	D23/366

D877,113 S *	3/2020	Jin	D14/204
D897,512 S *	9/2020	Wu	D23/356
D938,932 S *	12/2021	Huang	D14/204
2014/0064535 A1 *	3/2014	Zhao	H04R 1/021 381/332

(Continued)

OTHER PUBLICATIONS

Jellyfish bluetooth speaker, globalsources.com, [online], [site visited Nov. 30, 2020], Available from internet URL: <https://www.globalsources.com/Bluetooth-speaker/jellyfish-speaker-cute-speaker-fish-speaker--1178620848p.htm#1178620848> (Year: 2020).*

Primary Examiner — Samantha Q Lawrence

Assistant Examiner — Holly M Rodriguez

(74) *Attorney, Agent, or Firm* — WRB-IP LLP

(57) **CLAIM**

The ornamental design for a wireless speaker, as shown and described.

DESCRIPTION

FIG. 1 is a front view of the wireless speaker; FIG. 2 is a rear view of the wireless speaker of FIG. 1; FIG. 3 is a left or right side view of the wireless speaker of FIG. 1;

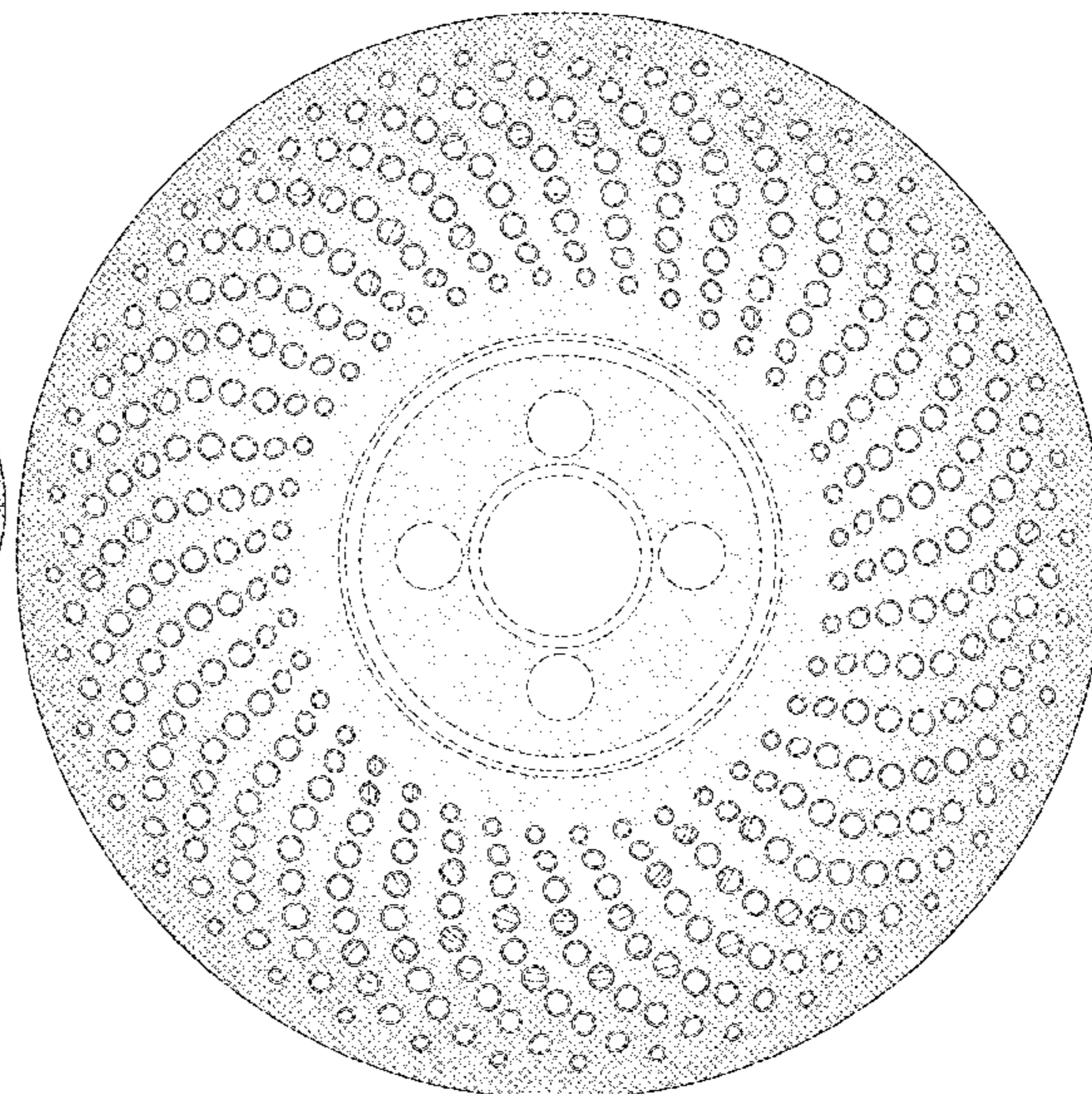
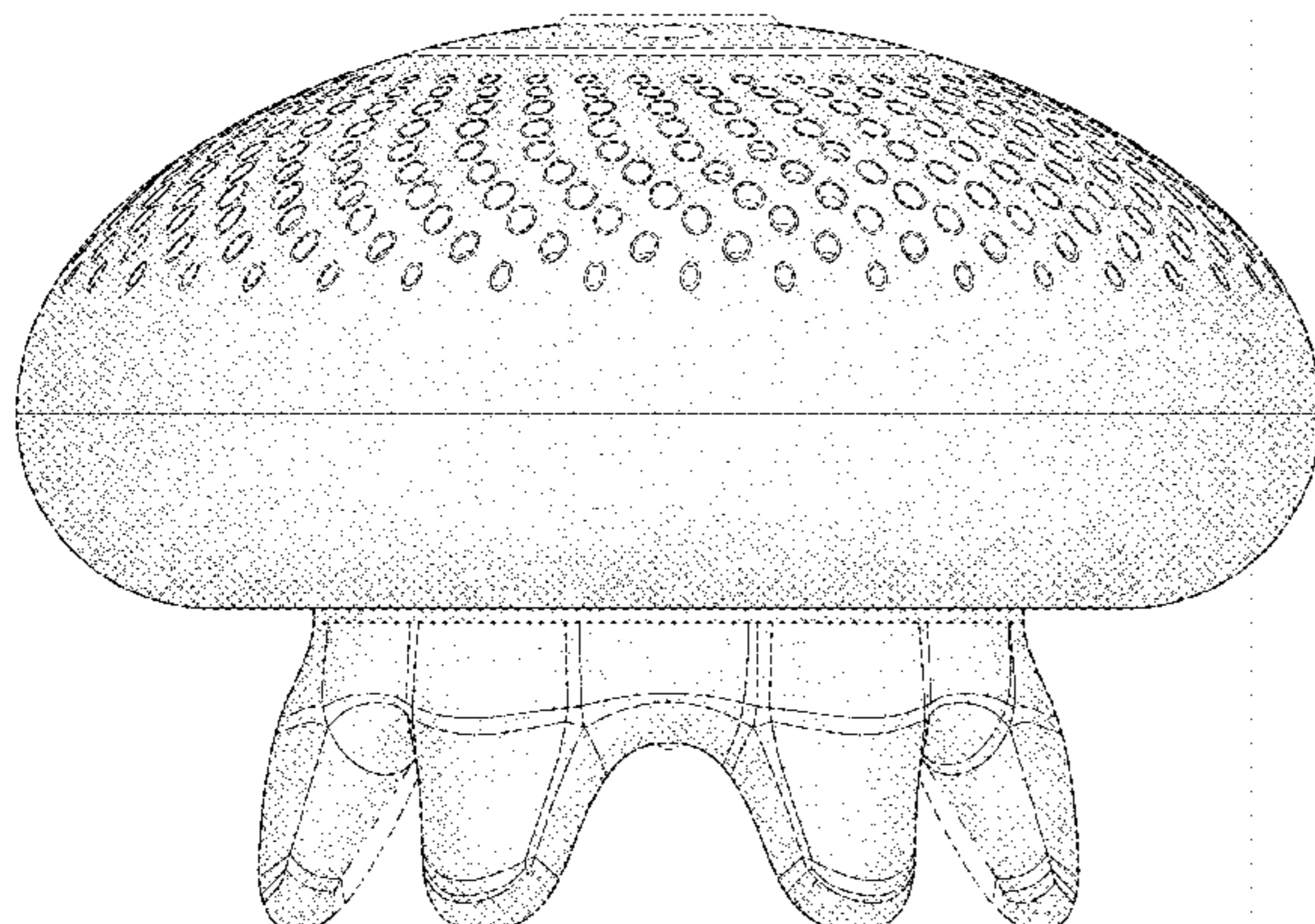
FIG. 4 is a top view of the wireless speaker of FIG. 1; and, FIG. 5 is a bottom view of the wireless speaker of FIG. 1. Solid lines that extend over stippling are wire frame lines that indicate contour or changes in plane/curvature.

The stippling illustrates the claimed areas. The non-stippled areas illustrate the areas that do not form part of the claimed design.

The dash-dot lines shown in FIGS. 1, 2, and 4 illustrate the boundary of the claim and form no part of the claimed design.

The portions of the wireless speaker shown in broken lines form no part of the claimed design.

1 Claim, 5 Drawing Sheets



(56)

References Cited

U.S. PATENT DOCUMENTS

2015/0334480 A1* 11/2015 Yang H04R 9/06
381/394
2020/0196057 A1* 6/2020 Marino H04R 1/021

* cited by examiner

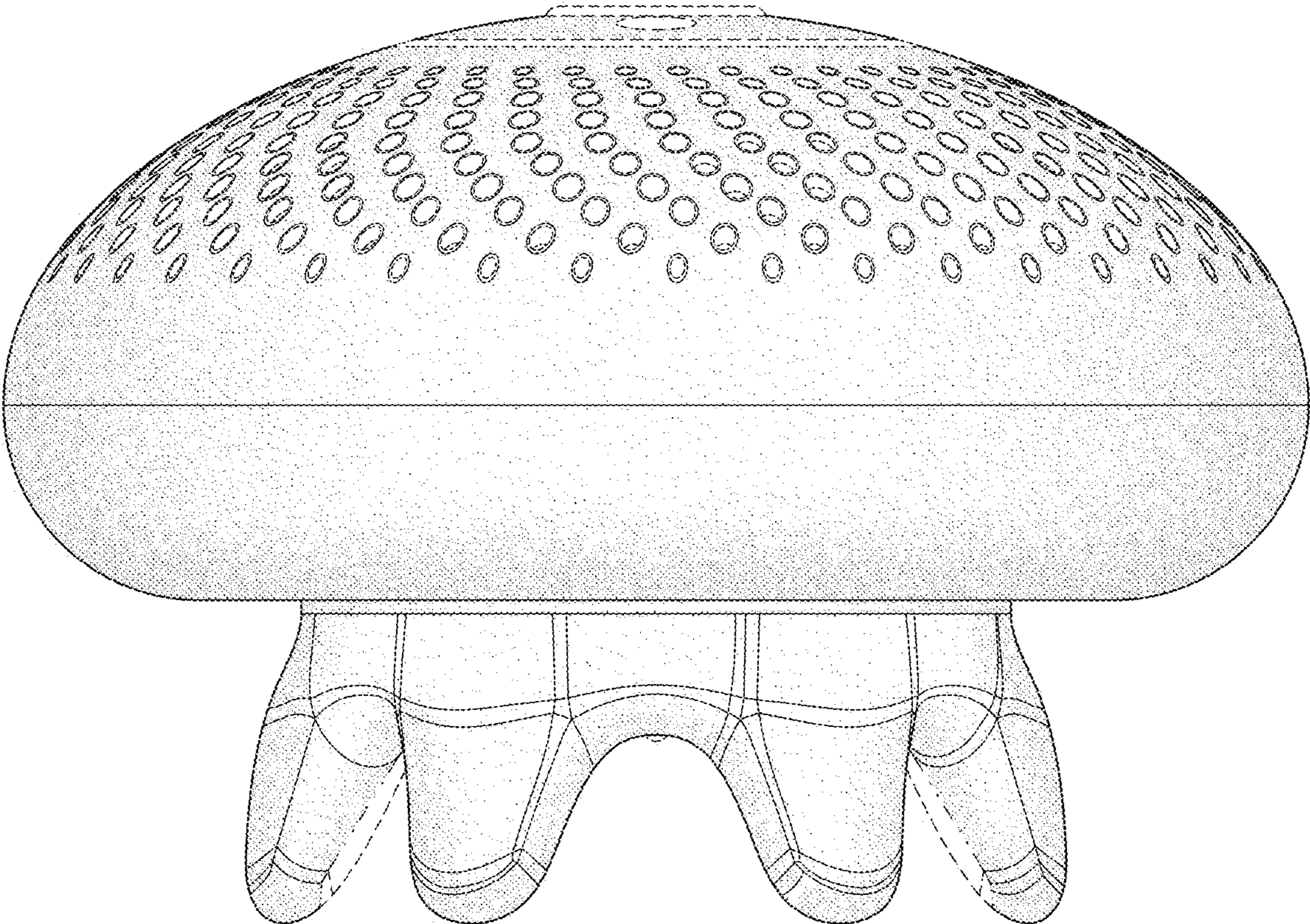


FIG. 1

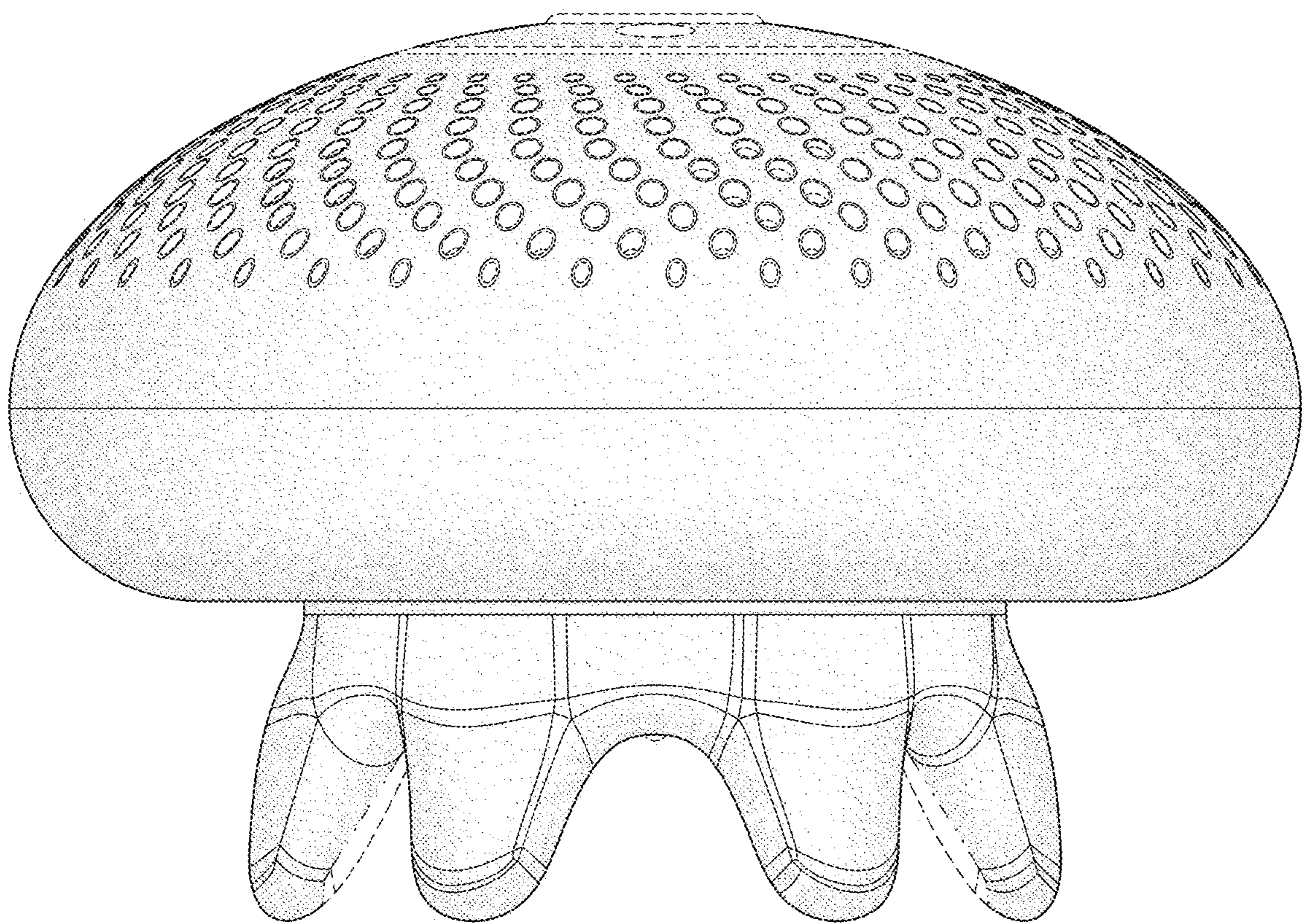


FIG. 2

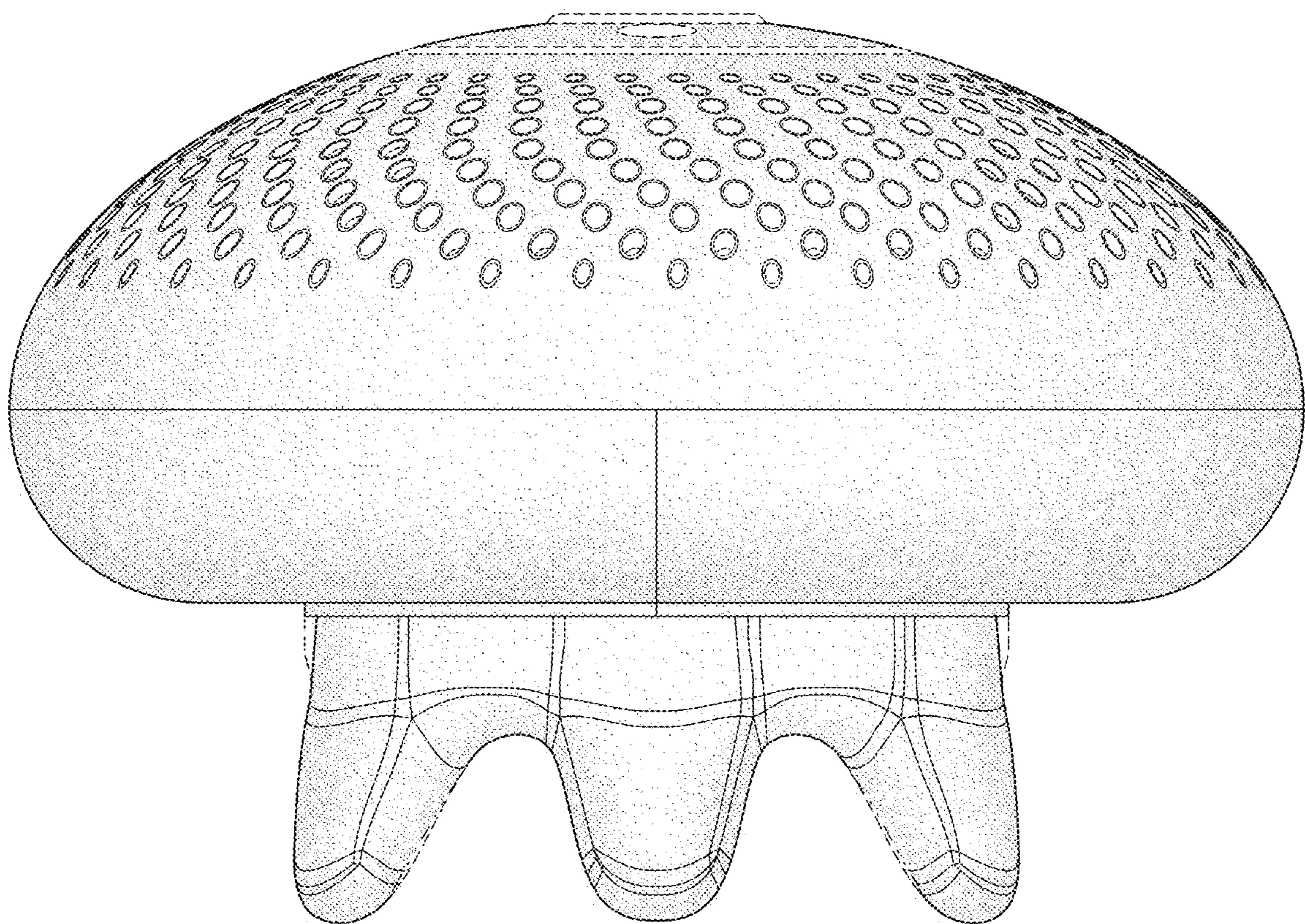


FIG. 3

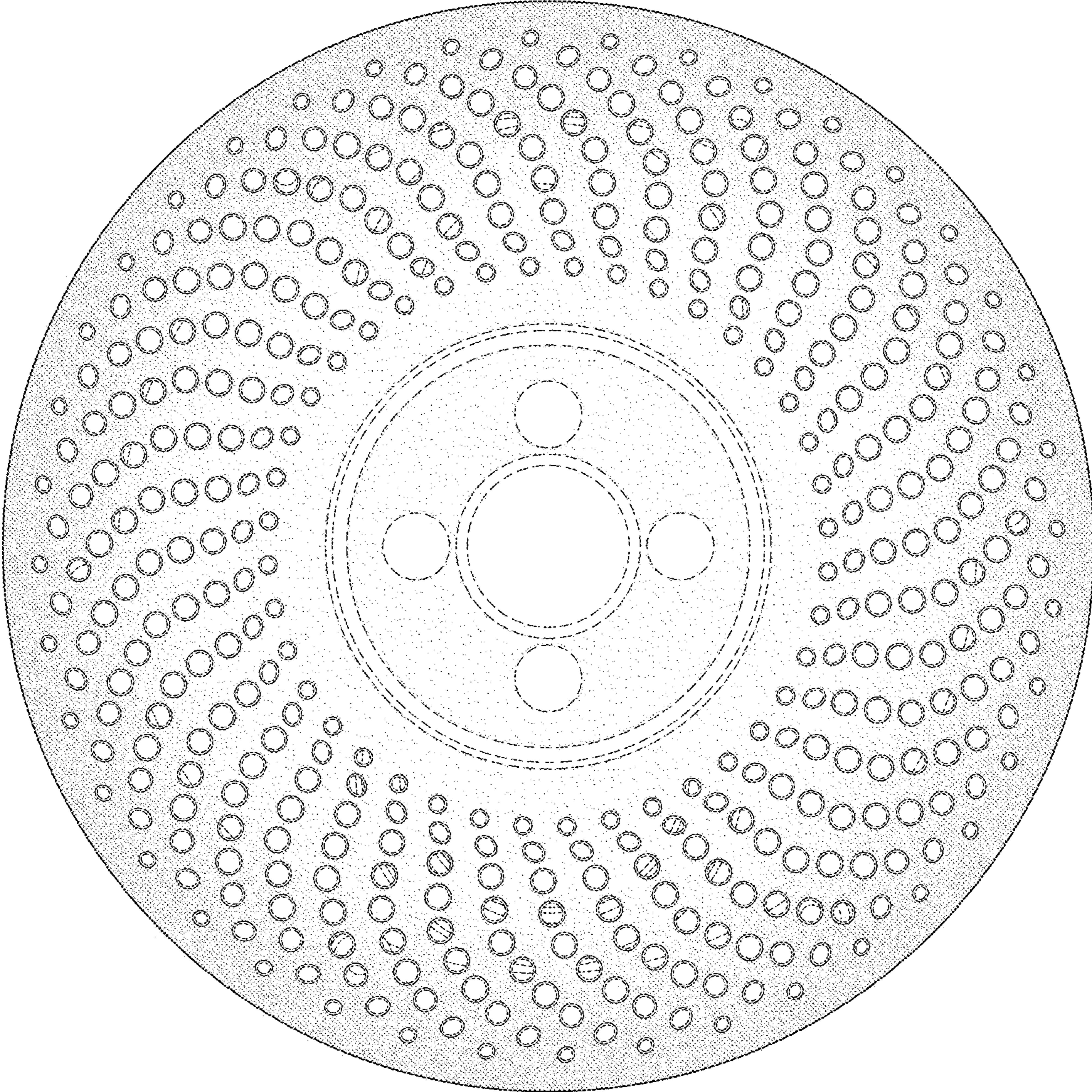


FIG. 4

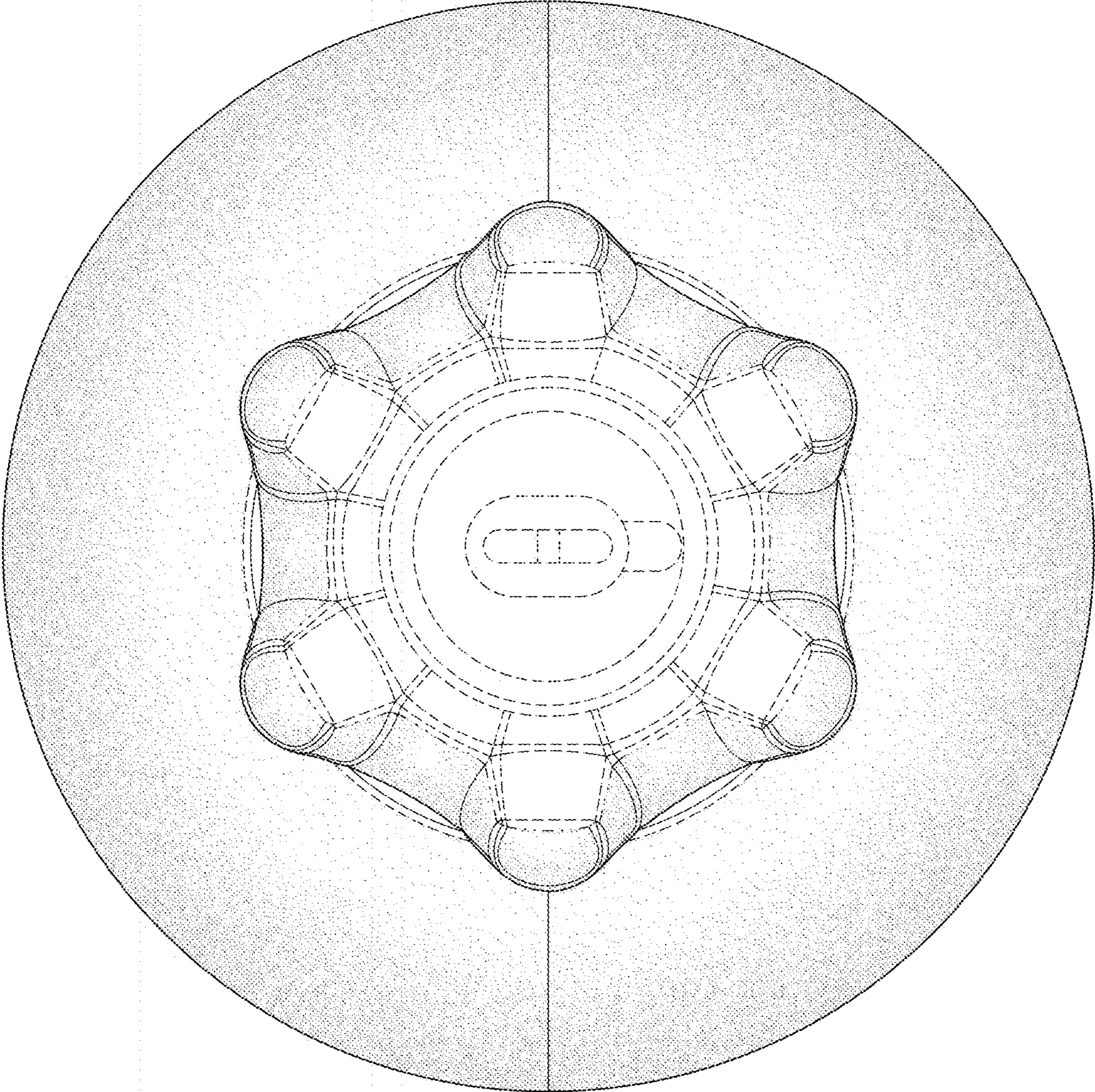


FIG. 5