

US00D949825S

(12) **United States Design Patent**  
**Levine et al.**

(10) **Patent No.:** **US D949,825 S**  
(45) **Date of Patent:** **\*\* Apr. 26, 2022**

- (54) **HEADSET**
- (71) Applicant: **New Audio, LLC**, New York, NY (US)
- (72) Inventors: **Jonathan E. Levine**, New York, NY (US); **Thomas C. Wilson**, Brooklyn, NY (US); **Marten Wallby**, Malmo (SE)
- (73) Assignee: **New Audio LLC**, New York, NY (US)
- (\*\*) Term: **15 Years**
- (21) Appl. No.: **29/812,611**
- (22) Filed: **Oct. 22, 2021**

- 3,922,725 A \* 12/1975 Csiki ..... A61F 11/14  
2/209
  - D250,761 S \* 1/1979 Vong ..... D10/38
  - 4,439,645 A \* 3/1984 Scalzo ..... H04M 1/19  
381/372
  - 5,035,005 A \* 7/1991 Hung ..... H04R 1/1066  
2/209
  - D345,163 S \* 3/1994 Yamatogi ..... D14/205
  - 5,438,626 A \* 8/1995 Neuman ..... H04R 5/0335  
381/370
  - D410,466 S \* 6/1999 Mouri ..... D14/205
  - D420,356 S \* 2/2000 Suzuki ..... D14/205
  - 6,081,604 A \* 6/2000 Hikichi ..... H04R 1/083  
381/124
  - D435,249 S \* 12/2000 Yasutomi ..... D14/205
- (Continued)

**Related U.S. Application Data**

- (62) Division of application No. 29/781,979, filed on May 3, 2021, now Pat. No. Des. 937,242, which is a division of application No. 29/694,702, filed on Jun. 12, 2019, now Pat. No. Des. 920,956.
- (51) **LOC (13) Cl.** ..... **14-01**
- (52) **U.S. Cl.**  
USPC ..... **D14/205**
- (58) **Field of Classification Search**  
USPC ..... D14/205, 206, 188, 192; D29/112, 122;  
2/209, 423; 381/380, 381, 370, 74, 374;  
455/90.3, 575.1, 569.1; 128/866  
CPC ..... H04R 25/00; H04R 25/02; H04R 1/1066;  
H04R 1/1016; H04R 5/033; H04R  
5/0335; H04R 1/1008; H04R 1/1083;  
H04R 1/1091; A61F 11/14  
See application file for complete search history.

(56) **References Cited**  
U.S. PATENT DOCUMENTS

- 3,454,964 A \* 7/1969 Brinkhoff ..... A61F 11/14  
2/209
- 3,797,045 A \* 3/1974 Aho ..... A61F 11/14  
2/209

**FOREIGN PATENT DOCUMENTS**

- EM 004136489-0004 \* 8/2017
- EM 008023345-0002 \* 6/2020
- GB 9008028526-0002 \* 7/2020

*Primary Examiner* — Paula Allen Greene

(74) *Attorney, Agent, or Firm* — Holzer Patel Drennan

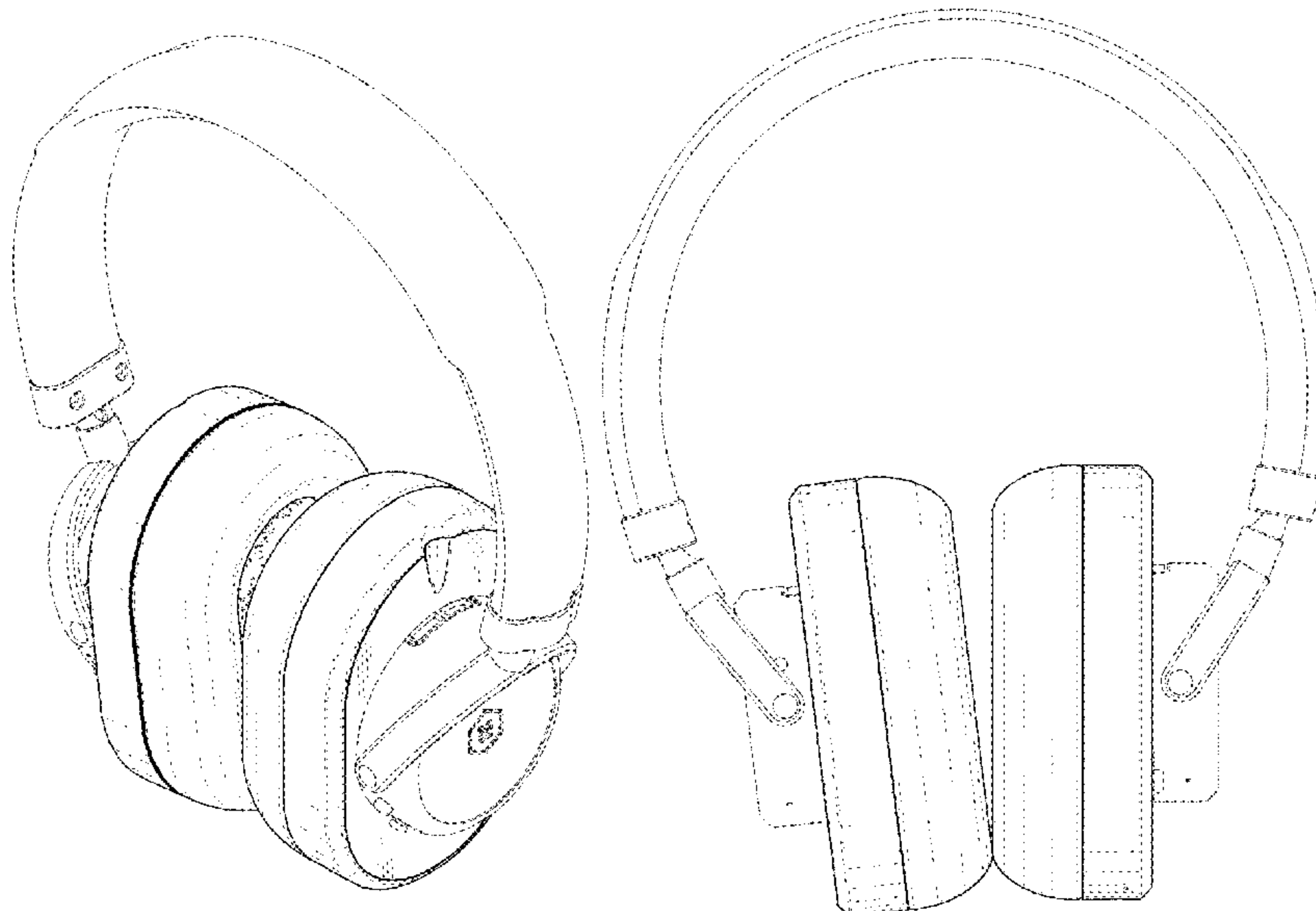
(57) **CLAIM**

The ornamental design for a headset, as shown and described.

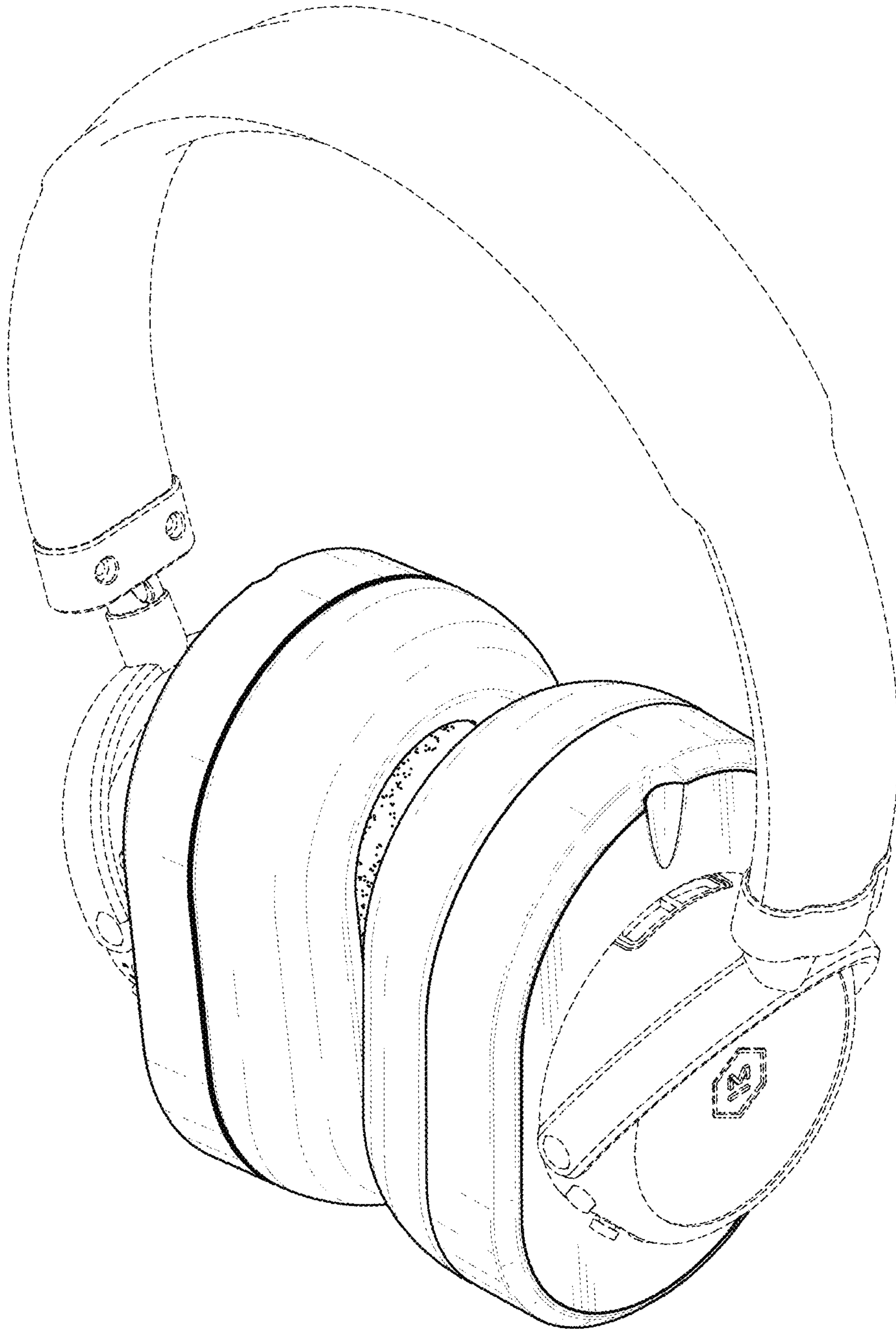
**DESCRIPTION**

FIG. 1 is a perspective view of a headset showing our new design, as viewed from the top and front.  
 FIG. 2 is a front elevational view thereof.  
 FIG. 3 is a back elevational view thereof.  
 FIG. 4 is a first side elevational view thereof.  
 FIG. 5 is a second side elevational view thereof.  
 FIG. 6 is a top plan view thereof; and,  
 FIG. 7 is a bottom plan view thereof.  
 The broken lines depict portions of the headset that forms no part of the claimed design.

**1 Claim, 5 Drawing Sheets**

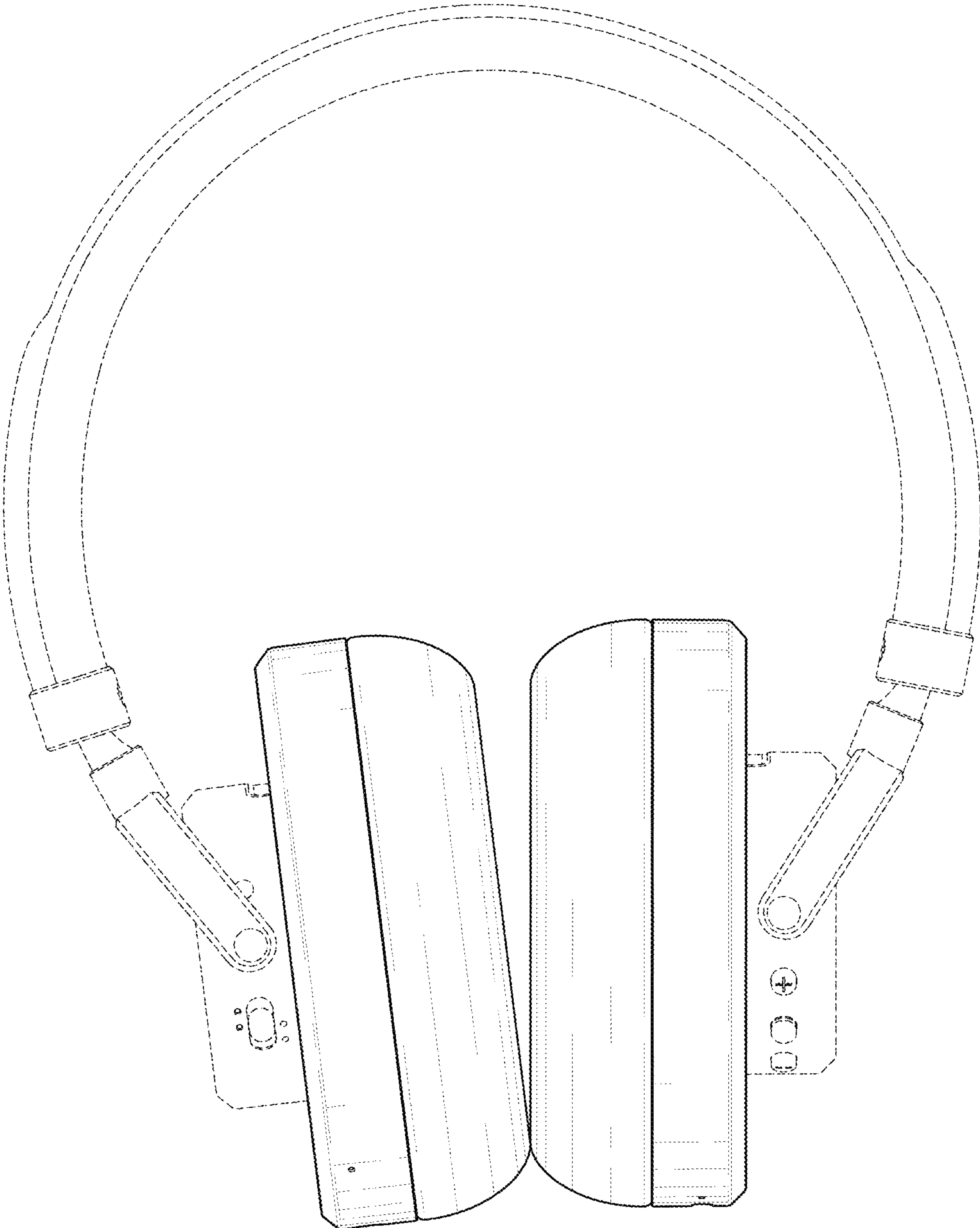




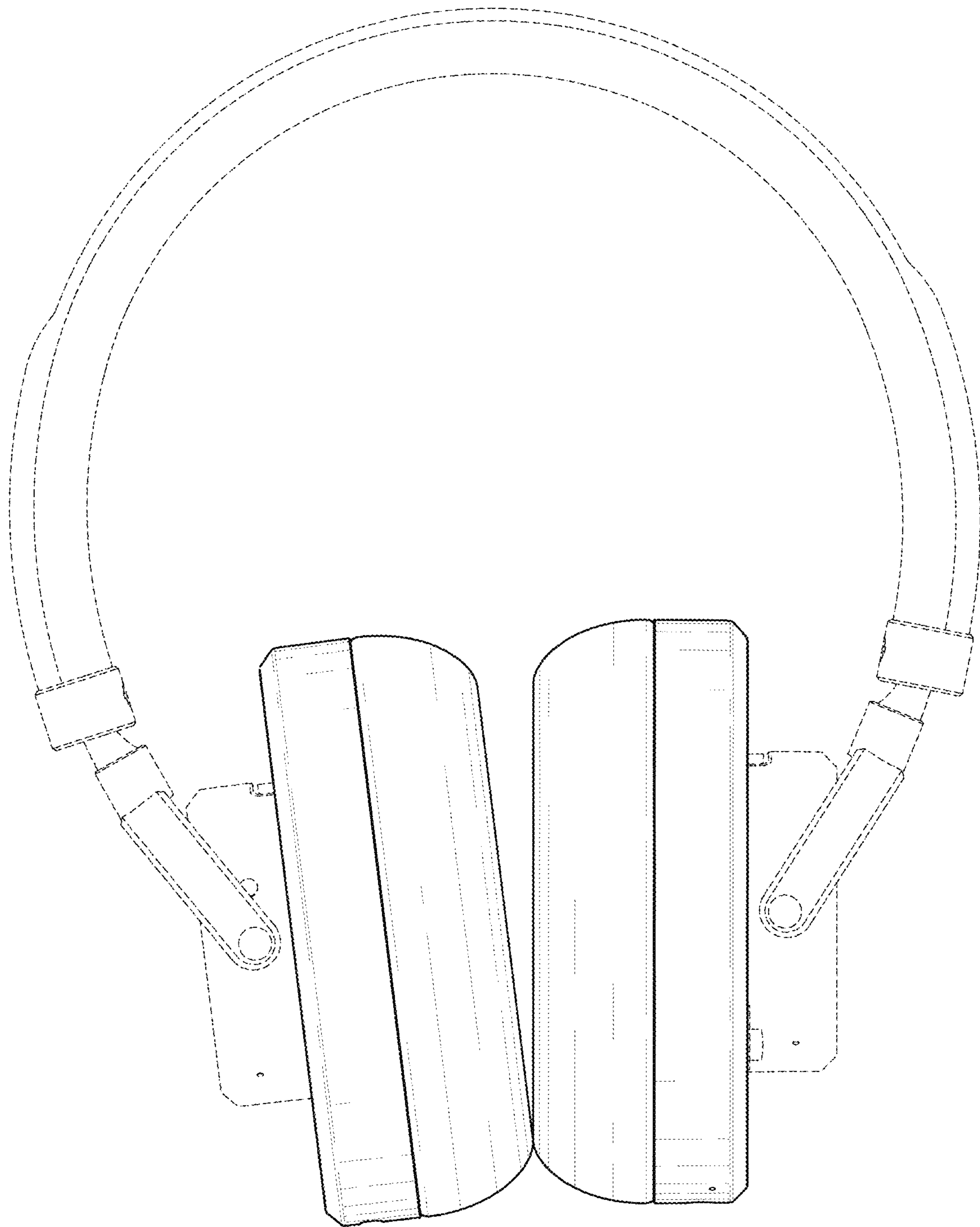


*Fig. 1*

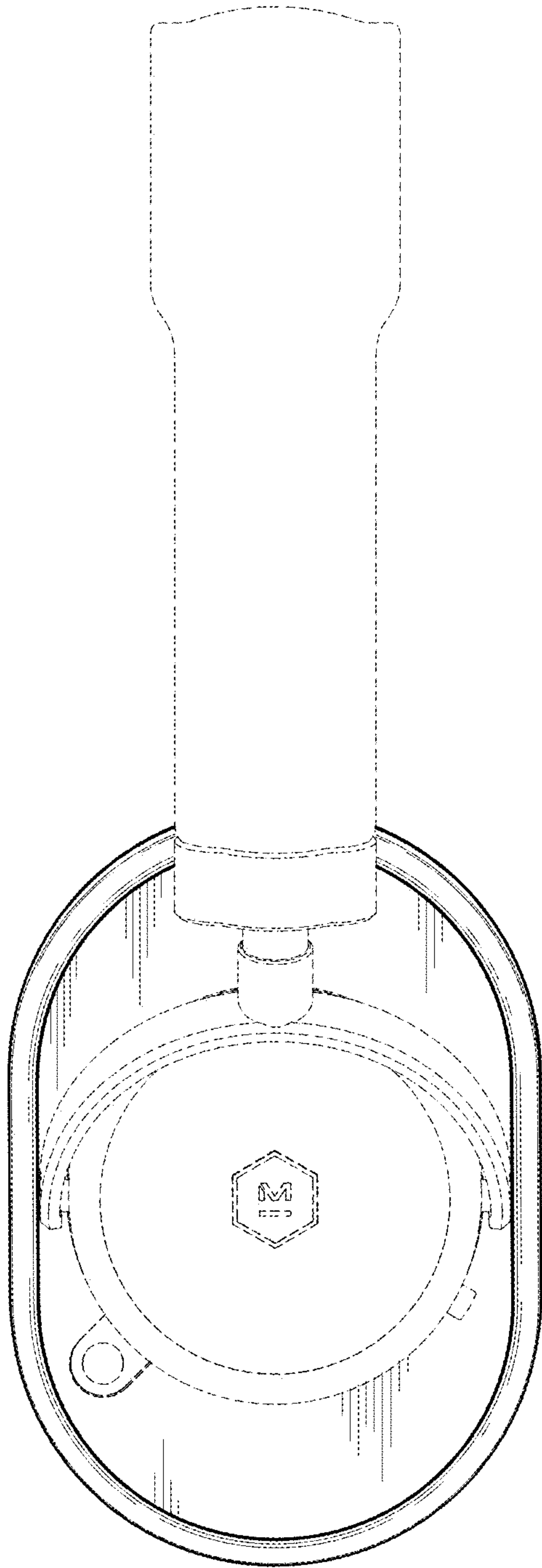




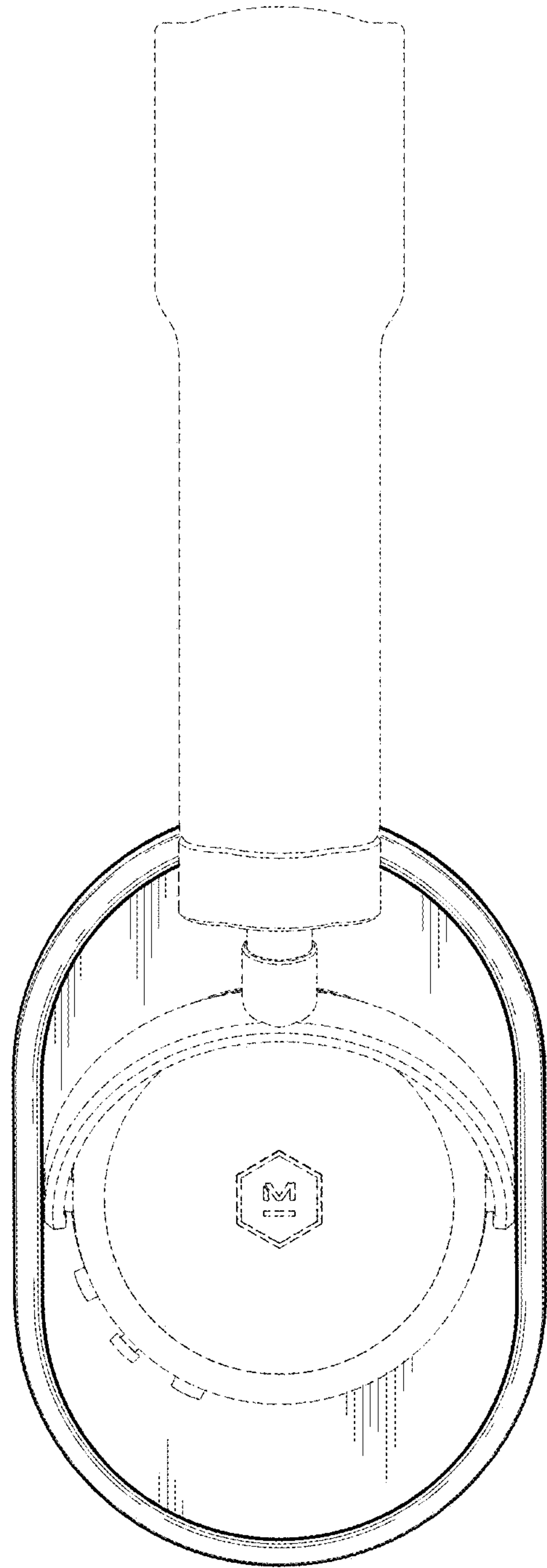
*Fig. 2*



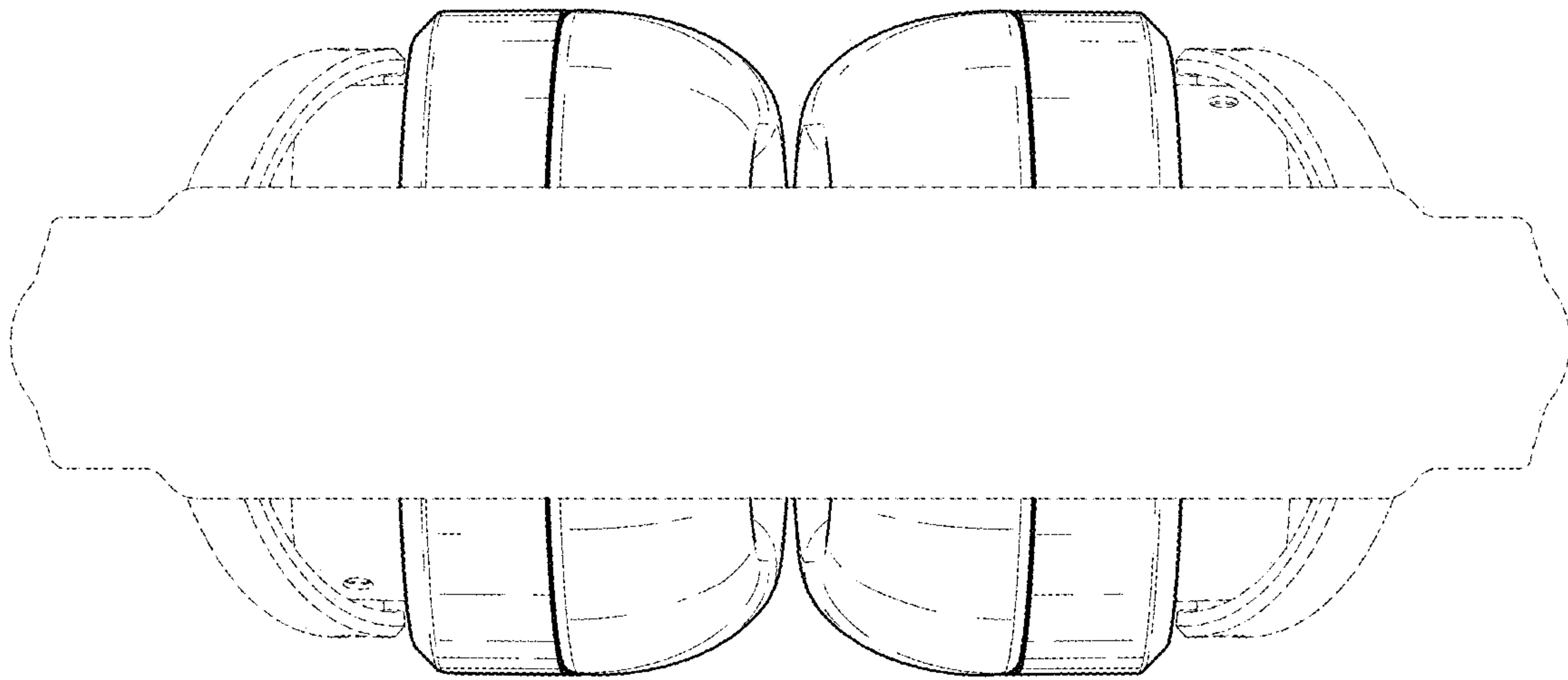
*Fig. 3*



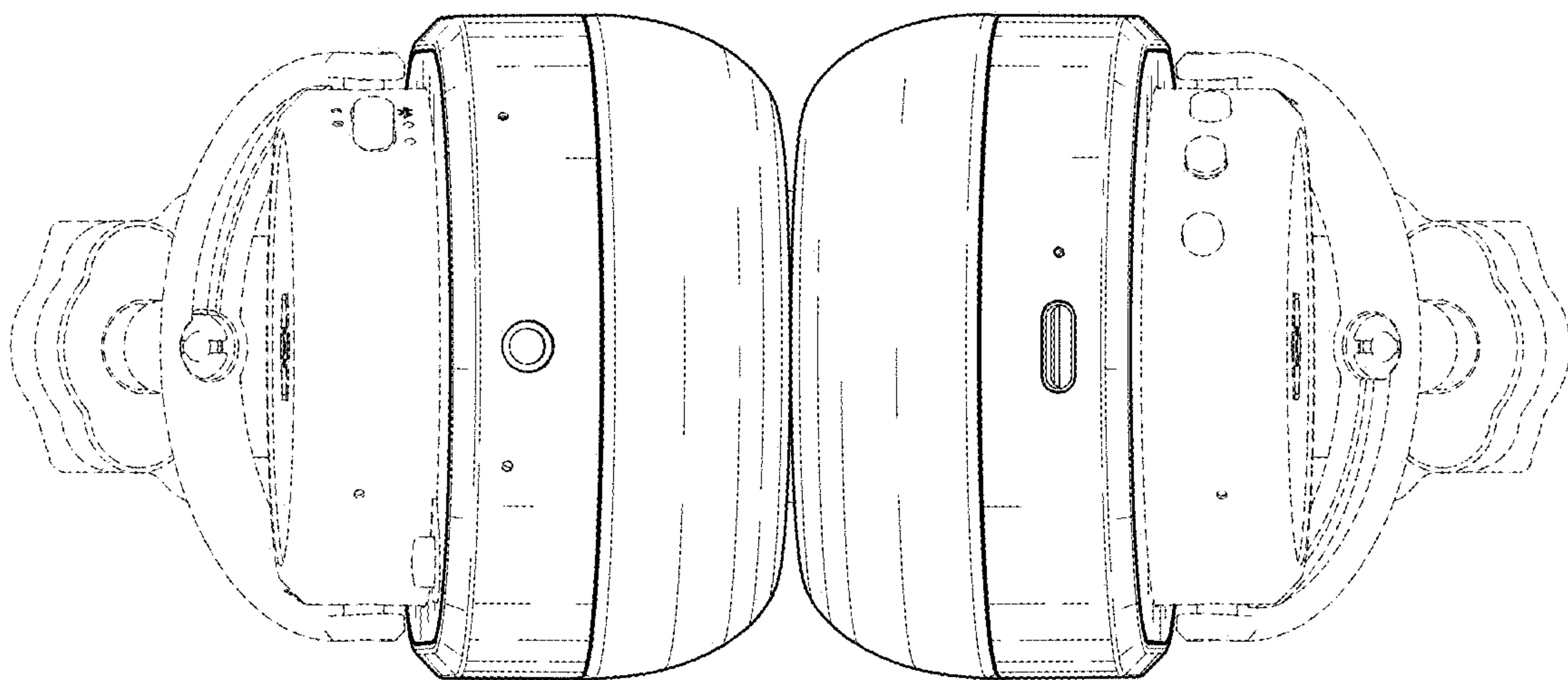
*Fig. 4*



*Fig. 5*



*Fig. 6*



*Fig. 7*