

US00D949824S

(12) **United States Design Patent** (10) **Patent No.:** **US D949,824 S**  
**Brunner et al.** (45) **Date of Patent:** **\*\* Apr. 26, 2022**

- (54) **AUDIO LISTENING SYSTEM**
- (71) Applicant: **Apple Inc.**, Cupertino, CA (US)
- (72) Inventors: **Robert Brunner**, Glen Ellen, CA (US);  
**Rhys Bonahoom**, Burlingame, CA (US)
- (73) Assignee: **Apple Inc.**, Cupertino, CA (US)
- (\*\*) Term: **15 Years**
- (21) Appl. No.: **29/804,838**
- (22) Filed: **Aug. 23, 2021**

**Related U.S. Application Data**

- (63) Continuation of application No. 29/757,547, filed on Nov. 6, 2020, now Pat. No. Des. 928,744, which is a continuation of application No. 29/690,031, filed on May 3, 2019, now Pat. No. Des. 901,455, which is a continuation of application No. 29/615,900, filed on Aug. 31, 2017, now Pat. No. Des. 847,780, which is a continuation of application No. 29/565,174, filed on May 18, 2016, now Pat. No. Des. 796,487, which is a continuation of application No. 29/527,763, filed on May 21, 2015, now Pat. No. Des. 759,634, which is a continuation of application No. 29/493,738, filed on Jun. 12, 2014, now Pat. No. Des. 732,509, which is a continuation-in-part of application No. 29/441,335, filed on Jan. 3, 2013, now Pat. No. Des. 707,652.
- (51) **LOC (13) Cl.** ..... **14-01**
- (52) **U.S. Cl.**  
USPC ..... **D14/205; D14/223**
- (58) **Field of Classification Search**  
USPC ..... D14/205, 223, 192; D24/174; 128/864, 128/865, 866; 381/380, 381, 370, 374, 381/74; 455/90.3, 575.1, 569.1  
CPC ..... H04R 1/10; H04R 25/00; H04R 25/02; H04R 1/1066; H04R 1/1016; H04R 5/033; H04R 1/1091  
See application file for complete search history.

- (56) **References Cited**
- U.S. PATENT DOCUMENTS

2,009,390 A	7/1935	Bayardi
2,248,837 A	7/1941	Walters
2,430,229 A	11/1947	Kelsey
2,474,135 A	6/1949	White
2,545,731 A	3/1951	French
2,739,660 A	3/1956	French
D233,444 S	10/1974	Christian
D241,881 S	10/1976	Peterson
4,253,452 A	3/1981	Powers et al.
D270,634 S	9/1983	Ungar
D276,143 S	10/1984	Williams
4,646,872 A	3/1987	Kamon et al.

(Continued)

**FOREIGN PATENT DOCUMENTS**

- |    |                  |           |
|----|------------------|-----------|
| EM | 001627464-0001   | * 10/2009 |
| MY | 13-981-0101-0001 | * 8/2014  |
| TW | D126814          | 1/2009    |

*Primary Examiner* — Paula Allen Greene  
(74) *Attorney, Agent, or Firm* — Sterne, Kessler, Goldstein & Fox P.L.L.C.

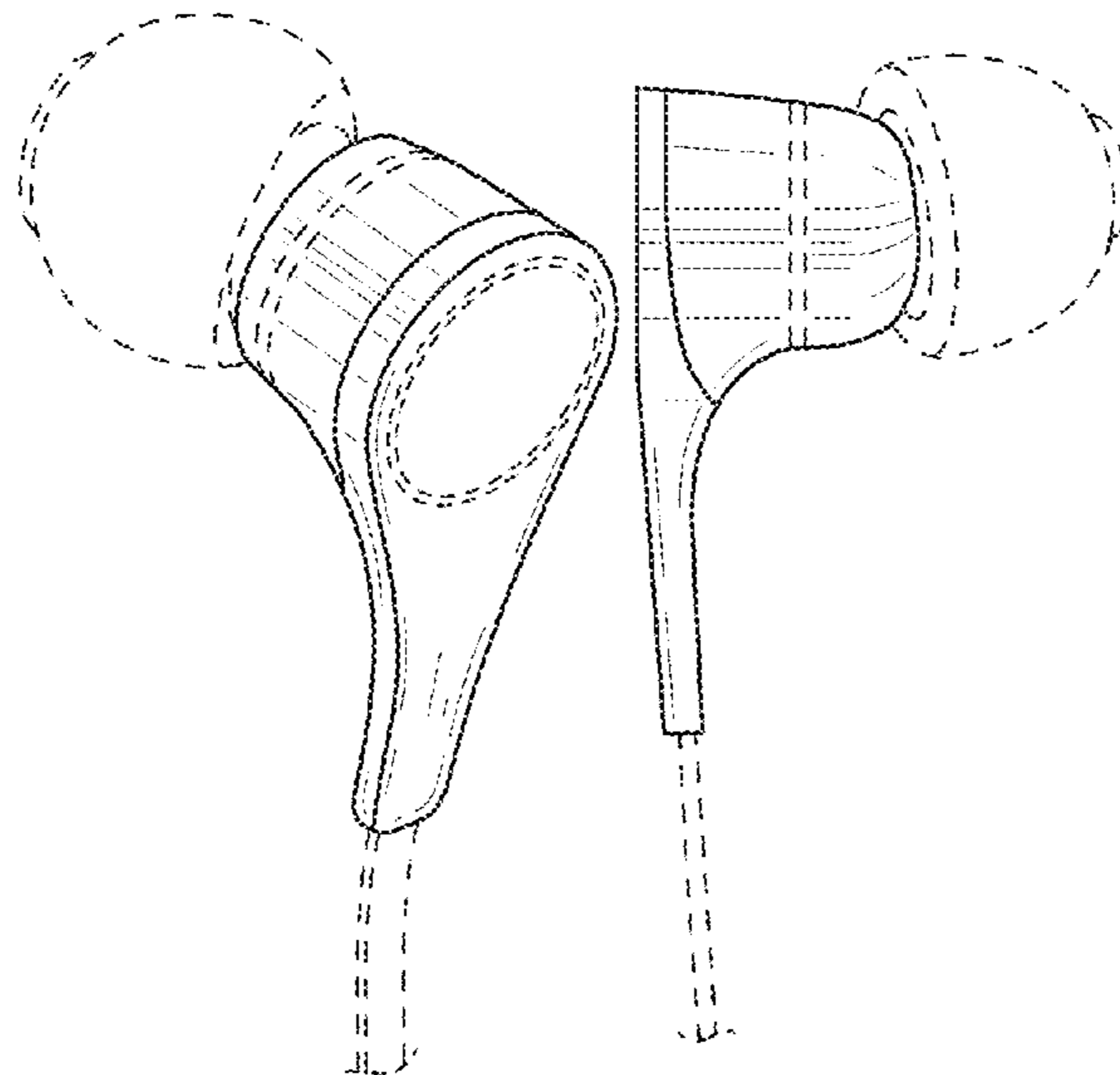
(57) **CLAIM**

The ornamental design for an audio listening system, as shown and described.

**DESCRIPTION**

FIG. 1 is a front perspective view of an audio listening system showing the claimed design; FIG. 2 is a rear view thereof; FIG. 3 is a front view thereof; FIG. 4 is a left side perspective view thereof; FIG. 5 is a left side view thereof; and, FIG. 6 is a right side view thereof. The broken lines in the figures show portions of the audio listening system that form no part of the claimed design.

**1 Claim, 2 Drawing Sheets**



(56)

References Cited

U.S. PATENT DOCUMENTS

D299,344 S	1/1989	Stevens	
D299,454 S	1/1989	Kwong	
D309,306 S	7/1990	Weiser et al.	
4,972,492 A *	11/1990	Tanaka .....	H04R 1/1016 181/130
D316,550 S	4/1991	Sogabe	
D318,670 S	7/1991	Taniguchi	
D326,855 S	6/1992	Bose et al.	
5,179,501 A	1/1993	Ocken et al.	
D334,043 S	3/1993	Taniguchi et al.	
5,410,608 A	4/1995	Lucey et al.	
5,625,171 A	4/1997	Marshall	
5,659,156 A	8/1997	Mauney et al.	
D383,757 S	9/1997	Dobrusskin et al.	
D385,254 S	10/1997	Owusu	
D430,060 S	8/2000	Kavalek	
D431,553 S	10/2000	Suzuki	
D443,859 S	6/2001	Hogan	
D457,514 S	5/2002	Marion et al.	
D459,342 S	6/2002	Marion et al.	
D460,749 S	7/2002	Liu	
D463,791 S	10/2002	Nagai et al.	
D470,129 S	2/2003	Hlas et al.	
D475,996 S	6/2003	Skulley	
D481,377 S	10/2003	Eguchi	
D482,348 S	11/2003	Villaverde et al.	
6,668,064 B1 *	12/2003	Lin .....	H04R 1/1016 381/380
D485,548 S *	1/2004	Obata .....	D14/223
6,728,388 B1	4/2004	Nageno et al.	
D499,397 S *	12/2004	Hlas .....	D14/223
D503,705 S *	4/2005	Boursiquot .....	D14/206
D508,479 S	8/2005	Okada	
D508,911 S	8/2005	Sanders	
D510,085 S	9/2005	Suzuki	
D510,575 S	10/2005	Leong	
D512,049 S	11/2005	Yang	
D526,642 S	8/2006	Choe	
D529,901 S	10/2006	Ohta	
D531,169 S	10/2006	Tokioka et al.	
D535,642 S	1/2007	Garcia et al.	
D542,282 S	5/2007	Yoshiyama	
D543,968 S	6/2007	Wong	
D543,972 S	6/2007	Taylor	
D550,657 S	9/2007	Gan et al.	
D554,109 S *	10/2007	Ledbetter .....	D14/223
D554,627 S *	11/2007	Gondo .....	D14/223
D556,735 S	12/2007	Yeo	
D558,735 S	1/2008	Carr et al.	
D559,837 S	1/2008	Nakano	
D564,495 S	3/2008	Sasaki	
7,349,550 B2	3/2008	Oliveira et al.	
D566,104 S	4/2008	Suzuki	
D567,217 S *	4/2008	Kamo .....	D14/205
D569,841 S	5/2008	Chung et al.	
D574,367 S	8/2008	Jaakkola et al.	
D575,154 S *	8/2008	Andrews .....	D9/500
D575,772 S	8/2008	Schultz et al.	
D576,154 S	9/2008	Ledbetter et al.	
D578,507 S	10/2008	Ando	
D579,005 S	10/2008	Wilhelmsen	
D579,444 S	10/2008	Ewert et al.	
D582,398 S	12/2008	Nam et al.	
D584,293 S	1/2009	Kim et al.	
D585,881 S	2/2009	Nam et al.	
D587,681 S *	3/2009	Yanai .....	D14/205
D589,493 S	3/2009	Densho	
D591,264 S	4/2009	Hong et al.	
D593,075 S	5/2009	Williams et al.	
D594,441 S	6/2009	Lee et al.	
7,551,748 B2	6/2009	Kamo et al.	
D597,084 S	7/2009	Gondo	
D598,894 S *	8/2009	Masuda .....	D14/205
D598,901 S *	8/2009	Lee .....	D14/223
D599,781 S *	9/2009	Lee .....	D14/205
D600,675 S	9/2009	Lee et al.	
D601,126 S	9/2009	Christopher et al.	
D602,475 S	10/2009	Martin	
D603,837 S	11/2009	Martin	
D605,628 S	12/2009	Ando	
D606,048 S	12/2009	Soetejo et al.	
D607,875 S	1/2010	Pedersen, II	
7,648,005 B2	1/2010	Leong et al.	
D609,698 S	2/2010	Ng	
7,664,287 B2	2/2010	Neu et al.	
D613,274 S	4/2010	Lee et al.	
D614,168 S	4/2010	Rogers et al.	
7,708,110 B2	5/2010	Leong et al.	
D622,707 S	8/2010	Chen et al.	
D624,529 S	9/2010	Huang	
D626,117 S *	10/2010	Lowry .....	D14/223
D627,764 S	11/2010	Tsai et al.	
D628,555 S	12/2010	Ponzio et al.	
D630,179 S	1/2011	Park et al.	
D631,037 S	1/2011	Park et al.	
D631,470 S	1/2011	Yoneyama et al.	
D634,305 S	3/2011	Hoggarth	
D636,763 S	4/2011	Walter	
D637,182 S	5/2011	Lee et al.	
D637,998 S	5/2011	Brunner et al.	
D637,999 S	5/2011	Brunner et al.	
D641,008 S	7/2011	Lee et al.	
D641,010 S	7/2011	Kwon	
D641,736 S	7/2011	Brunner et al.	
D642,163 S *	7/2011	Lee .....	D14/223
D643,414 S	8/2011	Lee et al.	
D643,416 S	8/2011	Chong et al.	
D643,417 S	8/2011	Lee et al.	
D643,418 S	8/2011	Lee et al.	
D643,833 S	8/2011	Lee et al.	
8,068,633 B2	11/2011	Lee et al.	
D652,817 S	1/2012	Lee et al.	
D652,822 S	1/2012	Lee et al.	
D658,157 S *	4/2012	McManigal .....	D14/205
D666,581 S *	9/2012	Perez .....	D14/223
D666,996 S *	9/2012	Hardi .....	D14/223
D673,531 S	1/2013	Lee et al.	
D674,904 S *	1/2013	Aunio .....	D24/210
D676,026 S	2/2013	Lee et al.	
D678,251 S	3/2013	Cantoni et al.	
8,391,536 B2 *	3/2013	Hashimoto .....	H04R 1/1016 381/380
D679,267 S *	4/2013	Lee .....	D14/223
D680,102 S *	4/2013	Chen .....	D14/223
D683,332 S	5/2013	Lee et al.	
D686,597 S	7/2013	Lee et al.	
D689,471 S *	9/2013	Hardi .....	D14/223
D697,058 S *	1/2014	Thompson .....	D14/223
D698,761 S *	2/2014	Bao .....	D14/223
D699,226 S *	2/2014	Yoon .....	D14/223
D701,195 S *	3/2014	Katsumata .....	D14/223
D707,652 S *	6/2014	Brunner .....	H04R 1/1016 D14/205
D711,356 S *	8/2014	Yang .....	D14/223
D712,382 S	9/2014	Brunner et al.	
D716,770 S	11/2014	Bonahoom et al.	
D719,550 S *	12/2014	Yang .....	D14/223
D727,871 S *	4/2015	Orbach .....	D14/205
D732,509 S *	6/2015	Brunner .....	H04R 1/1016 D14/223
D738,864 S *	9/2015	Lee .....	D14/223
D746,792 S *	1/2016	Kim .....	D14/205
D759,634 S *	6/2016	Brunner .....	H04R 1/1016 D14/223
D796,487 S *	9/2017	Brunner .....	H04R 25/00 D14/223
D824,359 S *	7/2018	Czaniecki .....	D14/205
D832,824 S *	11/2018	Kim .....	D14/223
D847,780 S *	5/2019	Brunner .....	H04R 25/00 D14/205
D864,169 S *	10/2019	Min .....	D14/223
D869,431 S *	12/2019	Czaniecki .....	D14/205
D889,436 S *	7/2020	Zhang .....	D14/223
D895,579 S *	9/2020	Yang .....	D14/223

(56)

**References Cited**

U.S. PATENT DOCUMENTS

D901,455 S *	11/2020	Brunner .....	H04R 25/00 D14/223
D928,744 S *	8/2021	Brunner .....	H04R 1/1016 D14/223
2007/0098201 A1*	5/2007	Chen .....	H04R 1/1016 381/380
2011/0051979 A1	3/2011	Lee et al.	
2012/0243725 A1*	9/2012	Takai .....	H04R 1/1016 381/380

\* cited by examiner

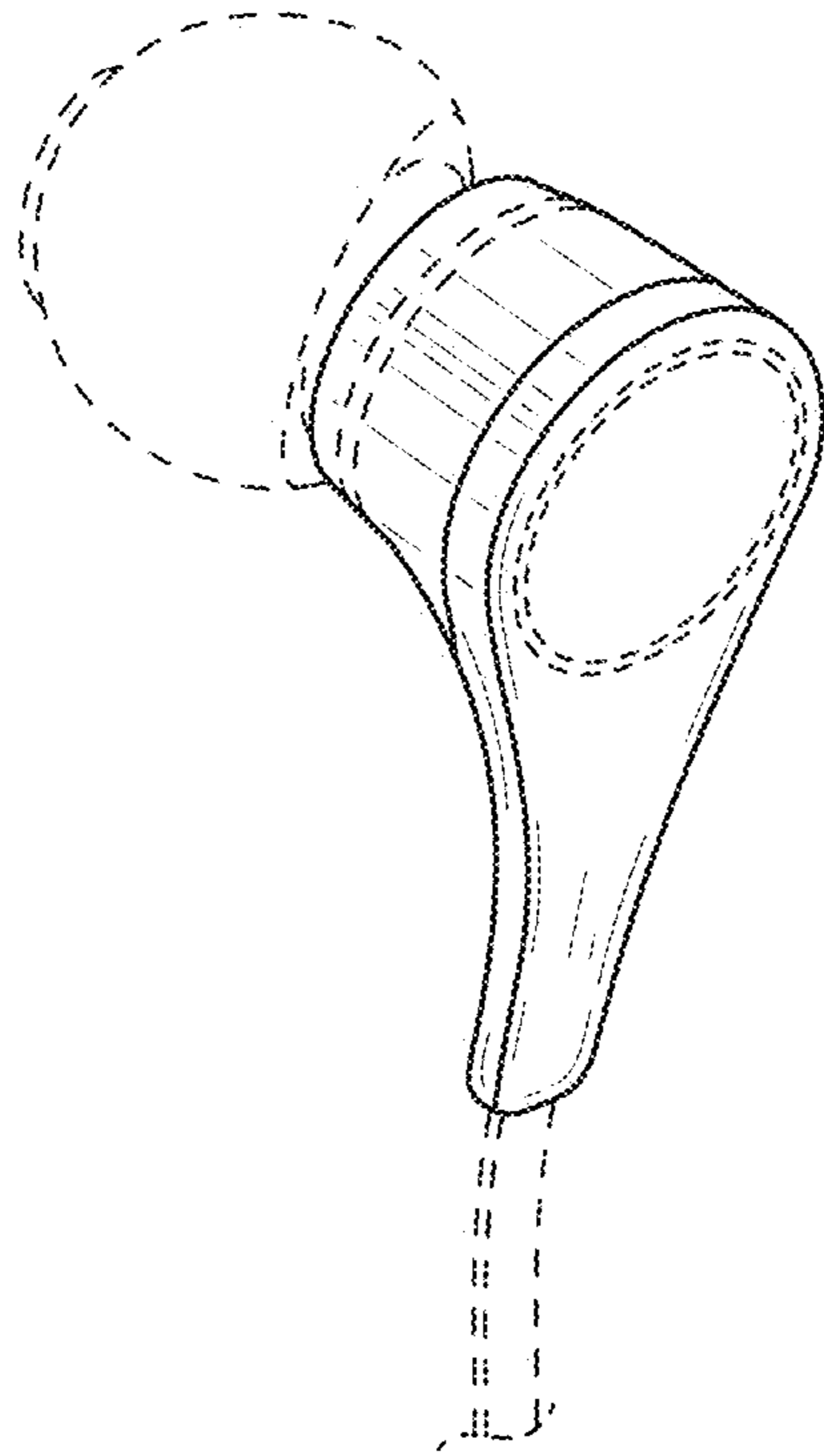


FIG. 1

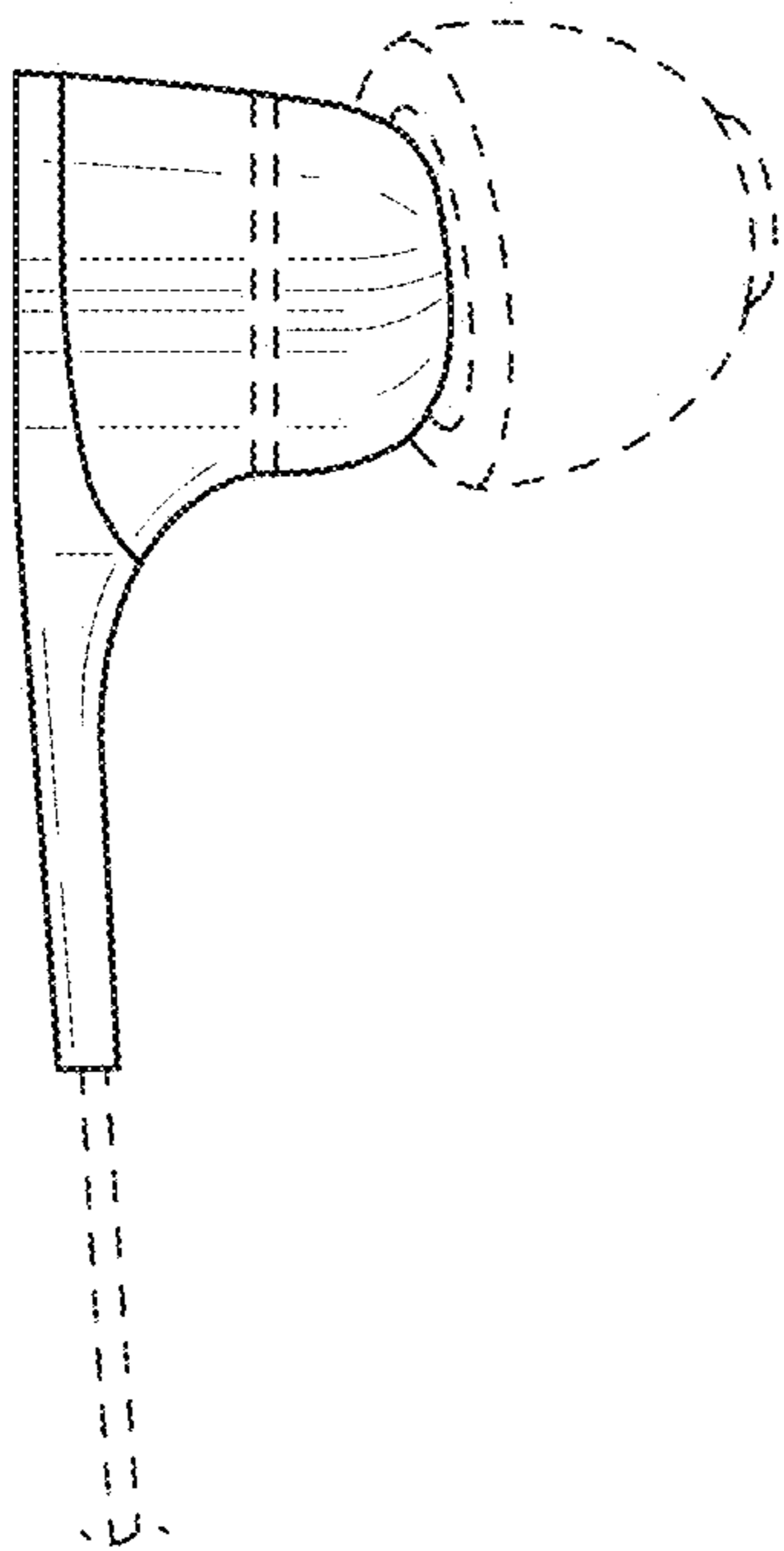


FIG. 2

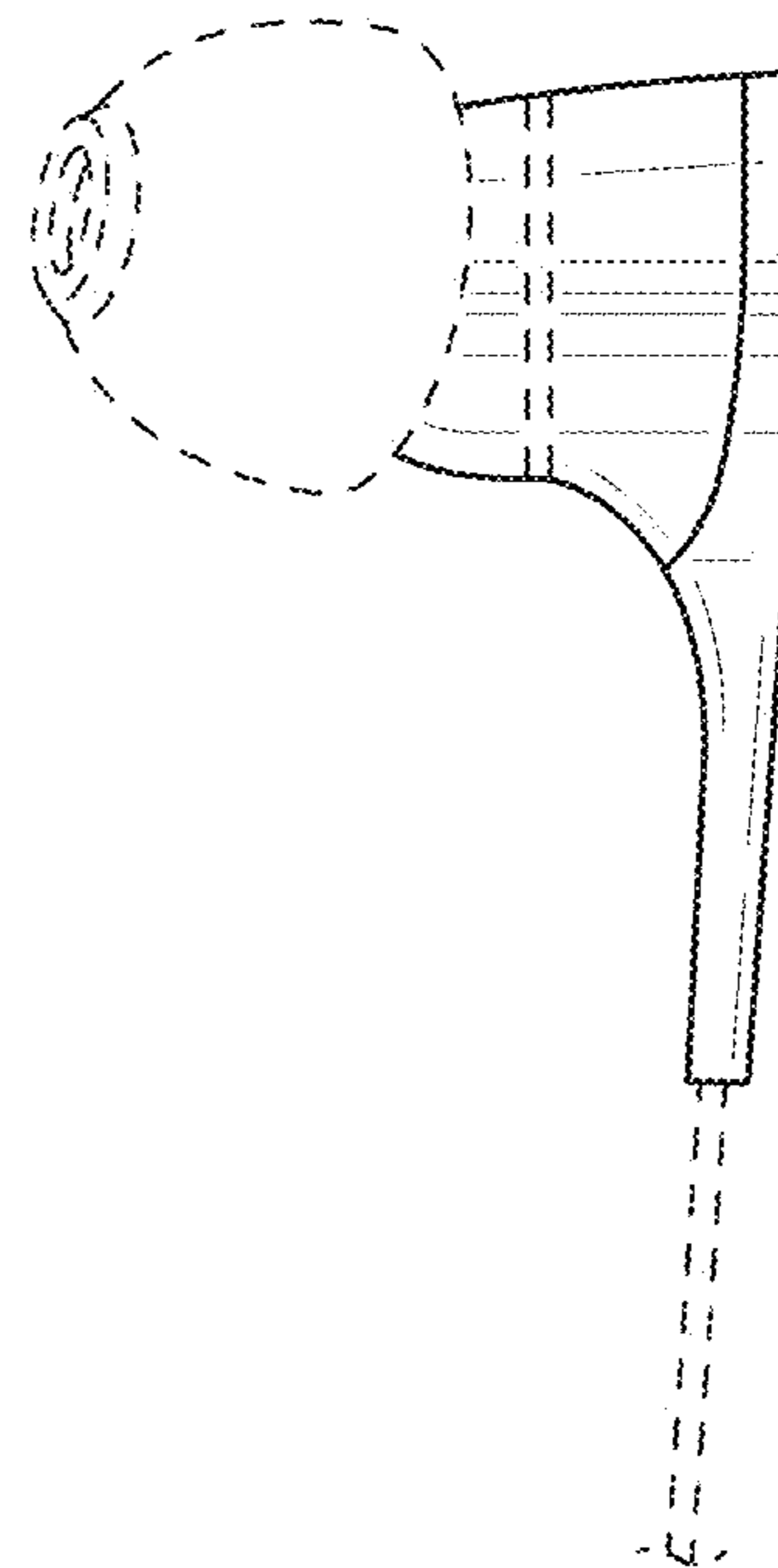


FIG. 3

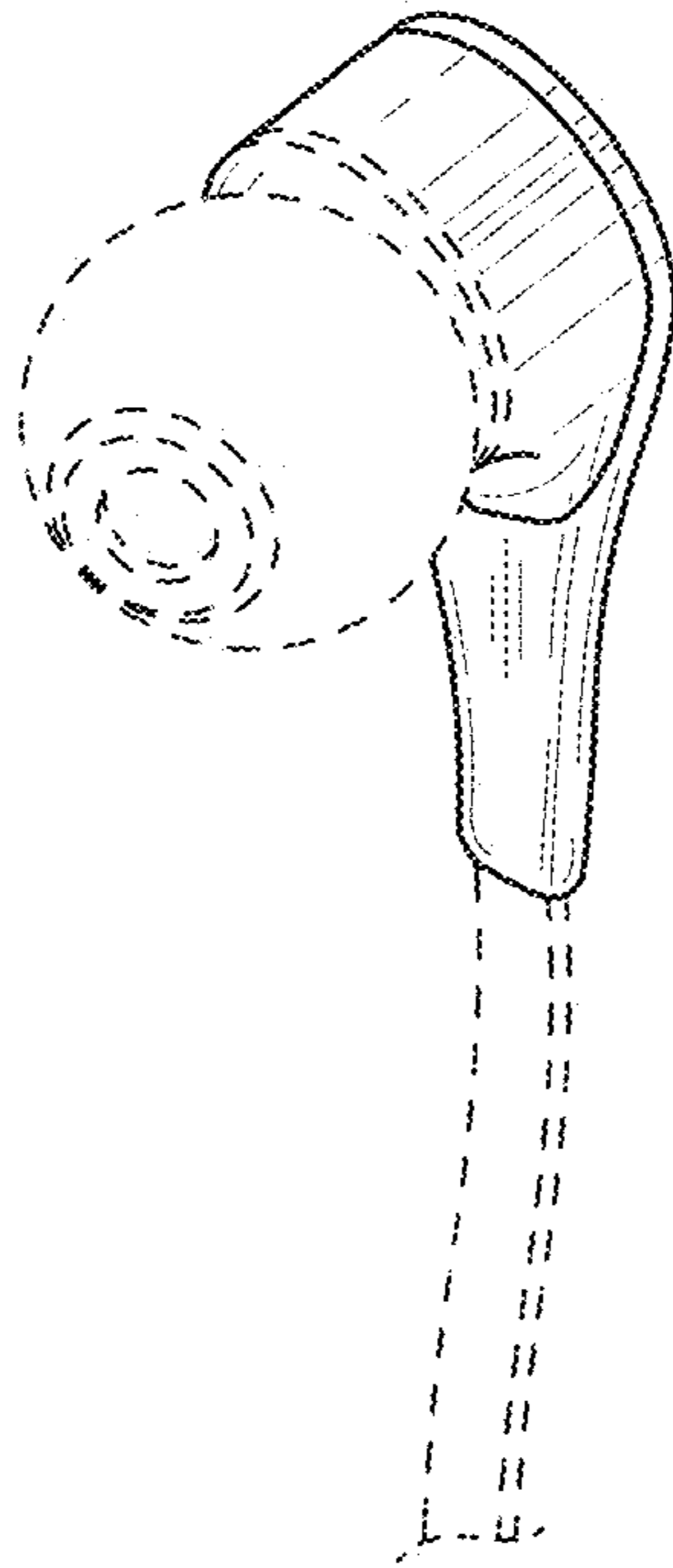


FIG. 4

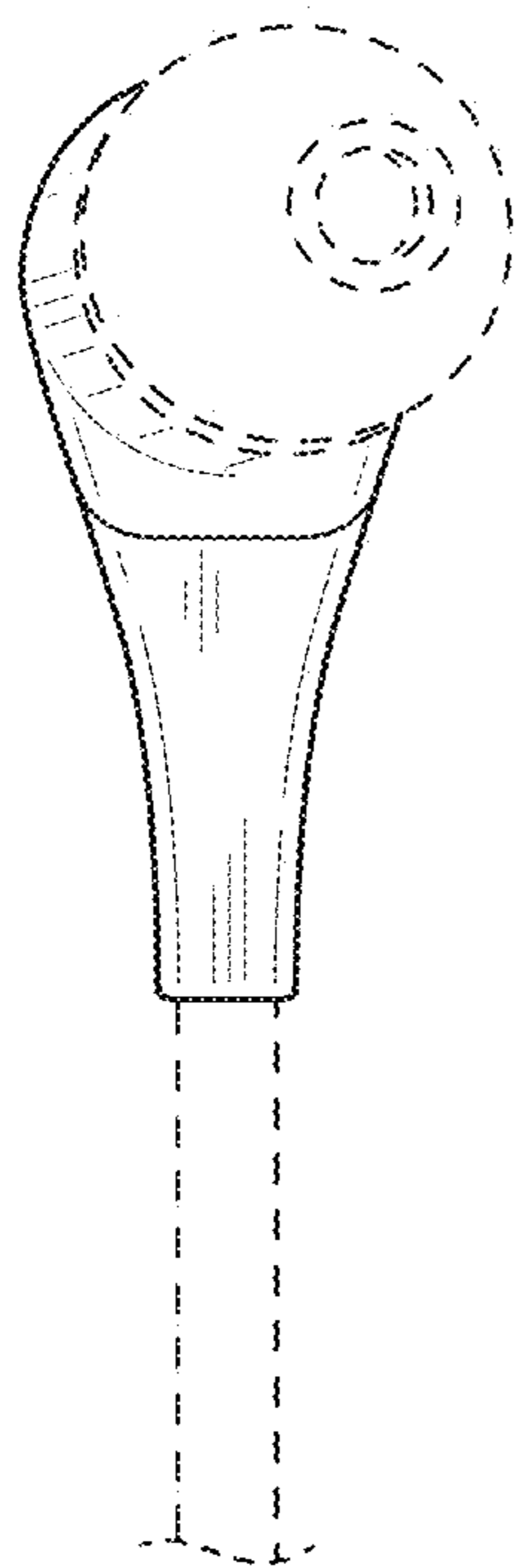


FIG. 5

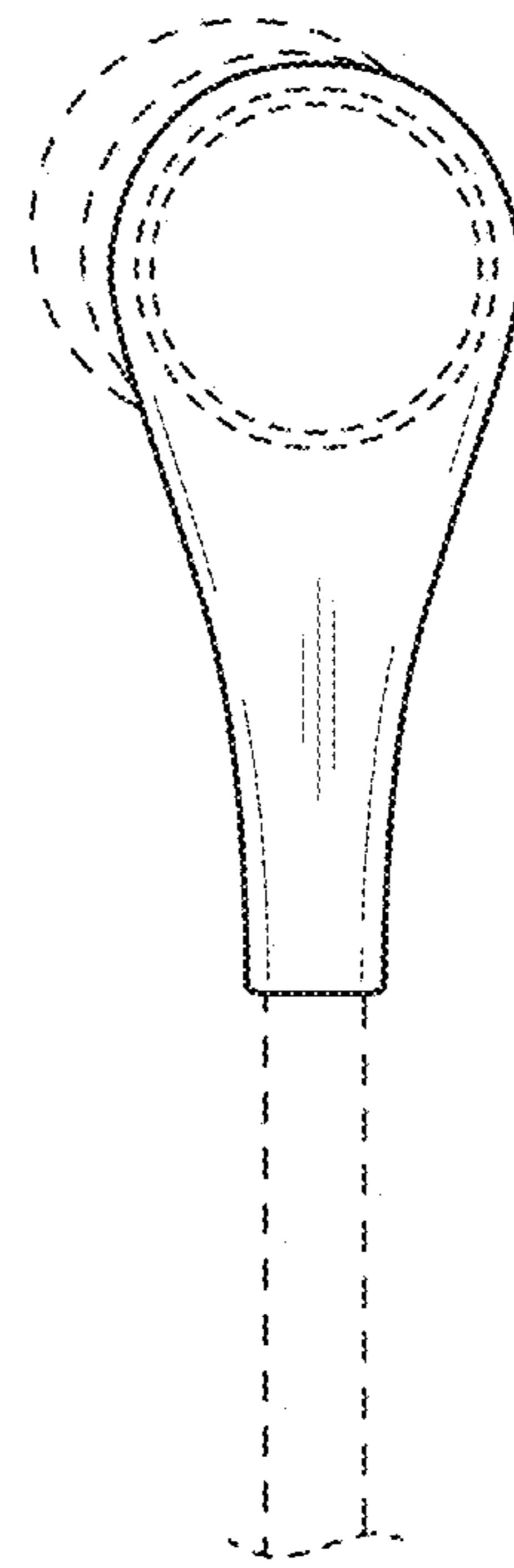


FIG. 6