

US00D949823S

(12) **United States Design Patent**
Smiechowski et al.

(10) **Patent No.:** **US D949,823 S**
(45) **Date of Patent:** **** Apr. 26, 2022**

(54) **HEADPHONES**

(71) Applicant: **Apple Inc.**, Cupertino, CA (US)

(72) Inventors: **Christina J. Smiechowski**, West Hollywood, CA (US); **Carlos M. Santana**, Granada Hills, CA (US); **Kevin P. Blasko**, Santa Monica, CA (US); **Guillaume Raoult**, San Francisco, CA (US); **Christopher Kuh**, San Francisco, CA (US); **Robert Brunner**, Glen Ellen, CA (US)

(73) Assignee: **Apple Inc.**, Cupertino, CA (US)

(**) Term: **15 Years**

(21) Appl. No.: **29/802,919**

(22) Filed: **Aug. 9, 2021**

Related U.S. Application Data

(63) Continuation of application No. 29/755,092, filed on Oct. 16, 2020, now Pat. No. Des. 927,453, which is a continuation of application No. 29/691,340, filed on May 15, 2019, now Pat. No. Des. 899,401.

(51) **LOC (13) Cl.** **14-01**

(52) **U.S. Cl.**
USPC **D14/205**

(58) **Field of Classification Search**

USPC D14/205, 188, 192, 206; D29/112; 2/209; 381/380, 381, 374, 74, 383, 187, 381/379; 455/90.3, 575.1, 569.1
CPC H04R 25/00; H04R 1/1066; H04R 1/1016; H04R 5/033; H04R 5/0335; H04R 1/10; H04R 1/1091

See application file for complete search history.

(56) **References Cited**

U.S. PATENT DOCUMENTS

D246,259 S * 11/1977 Nishimura D14/205
4,542,803 A * 9/1985 Houng H04R 1/1058
181/129

D300,133 S * 3/1989 Daidoh D14/205
D504,414 S 4/2005 Yoshida
D534,155 S 12/2006 Obata
D539,267 S * 3/2007 Komiyama D14/205
D540,301 S 4/2007 Obata
D552,077 S 10/2007 Brunner et al.
D582,890 S 12/2008 Koza et al.

(Continued)

FOREIGN PATENT DOCUMENTS

CN 304018747 1/2017
EM 004373660-0001 9/2017

(Continued)

OTHER PUBLICATIONS

JPO Document No. HJ22057059.

Primary Examiner — Paula Allen Greene

(74) *Attorney, Agent, or Firm* — Sterne, Kessler, Goldstein & Fox P.L.L.C.

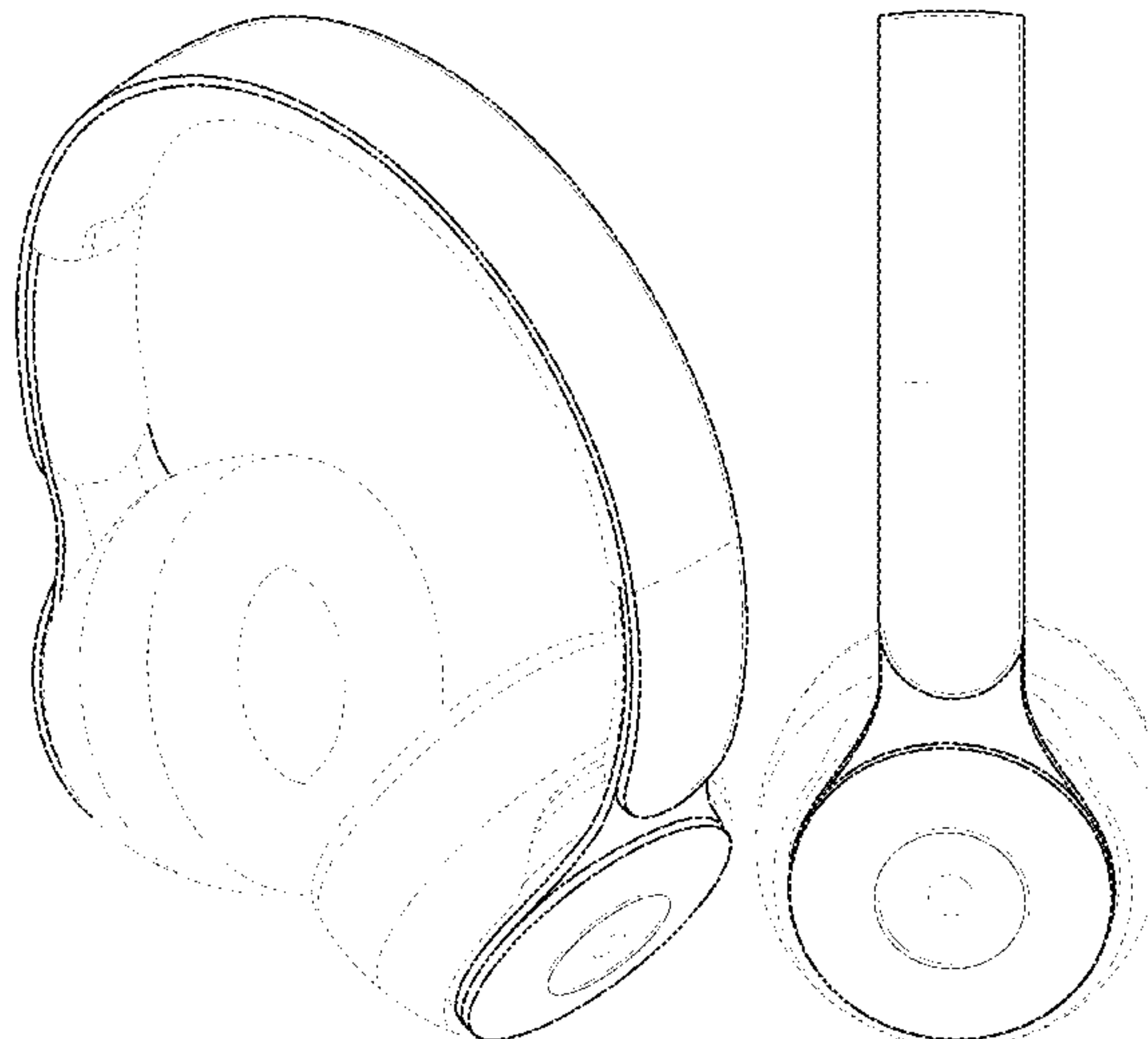
(57) **CLAIM**

The ornamental design for headphones, as shown and described.

DESCRIPTION

FIG. 1 is a top front perspective view of headphones showing the claimed design;
FIG. 2 is a top rear perspective view thereof;
FIG. 3 is a front view thereof;
FIG. 4 is a rear view thereof;
FIG. 5 is a left side view thereof;
FIG. 6 is a right side view thereof;
FIG. 7 is a top view thereof; and,
FIG. 8 is a bottom view thereof.
The broken lines in the figures show portions of the headphones that form no part of the claimed design.

1 Claim, 6 Drawing Sheets



(56)

References Cited

U.S. PATENT DOCUMENTS

D585,870 S 2/2009 Zheng et al.
 D592,182 S 5/2009 Sanguinetti
 D593,995 S 6/2009 Shimizu
 D600,674 S 9/2009 Brennwald
 D603,371 S 11/2009 Boateng et al.
 D625,705 S 10/2010 Ohori et al.
 D632,668 S * 2/2011 Brunner D14/205
 D633,471 S * 3/2011 Sugiyama D14/205
 D635,959 S 4/2011 Hutchieson
 D637,176 S 5/2011 Brunner et al.
 D652,406 S 1/2012 Lee et al.
 D657,344 S 4/2012 Brunner et al.
 D657,345 S 4/2012 Brunner et al.
 D657,346 S * 4/2012 Park D14/205
 D657,776 S * 4/2012 Lee D14/205
 D660,823 S 5/2012 Hardi et al.
 D660,824 S 5/2012 Hardi et al.
 D662,080 S 6/2012 Carr et al.
 D663,716 S 7/2012 Hardi et al.
 D664,117 S 7/2012 Tappeiner et al.
 D666,992 S * 9/2012 Lee D14/205
 D671,914 S 12/2012 Lee et al.
 D673,136 S 12/2012 Kelly et al.
 D673,520 S 1/2013 Tan
 D674,767 S 1/2013 Brunner et al.
 D675,595 S * 2/2013 Cho D14/205
 D677,648 S 3/2013 Lee et al.
 D678,859 S * 3/2013 Lee D14/205
 D678,860 S 3/2013 Hagelin
 D683,329 S * 5/2013 Hagelin D14/205
 D684,141 S 6/2013 Takamoto
 D689,843 S 9/2013 Lee
 D690,282 S * 9/2013 Lee D14/205
 D690,283 S * 9/2013 Lee D14/205
 D691,579 S 10/2013 Lee et al.
 D691,984 S 10/2013 Wang
 D693,791 S 11/2013 Troy
 D696,226 S 12/2013 Brunner et al.
 D696,228 S 12/2013 Miyake et al.
 D697,495 S * 1/2014 Lian D14/205
 D699,702 S 2/2014 Chen
 D706,240 S 6/2014 Szymanski et al.
 D708,163 S 7/2014 Ishikura
 D715,255 S 10/2014 Nunez et al.
 D716,760 S 11/2014 Brunner et al.
 D724,562 S * 3/2015 Sparks D14/206
 D725,630 S 3/2015 Nakagawa
 D731,457 S 6/2015 Brunner et al.
 D732,000 S 6/2015 Brunner et al.
 D732,503 S 6/2015 Brunner et al.

D734,296 S 7/2015 Paterson et al.
 D738,350 S 9/2015 Brunner et al.
 D739,378 S 9/2015 Chung et al.
 D739,842 S 9/2015 Birger
 D742,357 S 11/2015 Chung et al.
 D760,687 S 7/2016 Brunner et al.
 D765,056 S 8/2016 Yang et al.
 D767,531 S 9/2016 Szymanski
 9,445,185 B2 9/2016 Brunner et al.
 D786,824 S 5/2017 Hembrey
 D791,103 S 7/2017 Brunner et al.
 D791,733 S 7/2017 Brunner et al.
 D796,474 S 9/2017 Treski et al.
 D800,691 S 10/2017 Ando et al.
 D809,478 S 2/2018 Arimoto et al.
 D817,303 S 5/2018 Tragatschnig
 10,178,463 B2 1/2019 Smiechowski
 D843,345 S 3/2019 Brunner et al.
 D856,303 S 8/2019 Ando et al.
 D858,483 S 9/2019 Hu
 D859,353 S 9/2019 Wagner
 D867,327 S 11/2019 Brunner et al.
 D868,731 S 12/2019 Jung
 D877,715 S 3/2020 Hu
 D877,716 S 3/2020 Hu
 D878,327 S * 3/2020 Dhondt D14/205
 D879,066 S 3/2020 Chen
 D879,742 S 3/2020 Hu
 D881,157 S 4/2020 Chen
 D881,840 S 4/2020 Chen
 D883,949 S 5/2020 Hu
 D889,432 S 7/2020 Brunner et al.
 D890,123 S * 7/2020 Yoshimura D14/205
 D899,401 S 10/2020 Smiechowski et al.
 D904,339 S 12/2020 Wang
 D913,988 S * 3/2021 Bellham D14/205
 D927,453 S * 8/2021 Smiechowski D14/205
 2006/0027245 A1 * 2/2006 Spector A45D 8/36
 132/273
 2011/0206216 A1 8/2011 Brunner et al.
 2013/0087404 A1 4/2013 Peskar et al.
 2013/0343591 A1 12/2013 Brunner et al.
 2016/0212519 A1 7/2016 Henderson et al.
 2020/0389719 A1 12/2020 Morris et al.
 2021/0084401 A1 3/2021 Smiechowski et al.

FOREIGN PATENT DOCUMENTS

EM 007232707-0006 5/2019
 EM 007232707-0001 11/2019
 EM 008057400-0001 5/2020

* cited by examiner

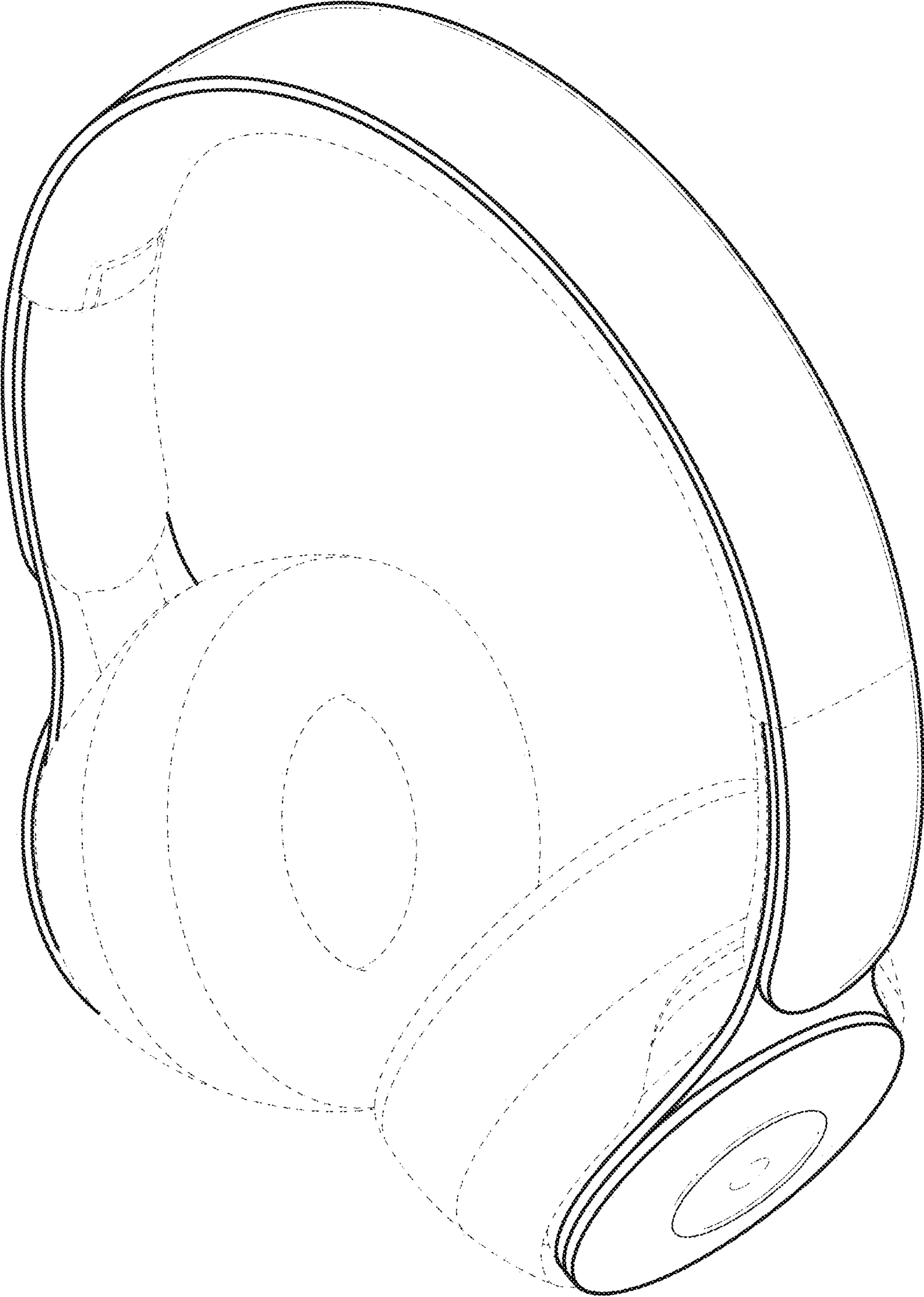


FIG. 1

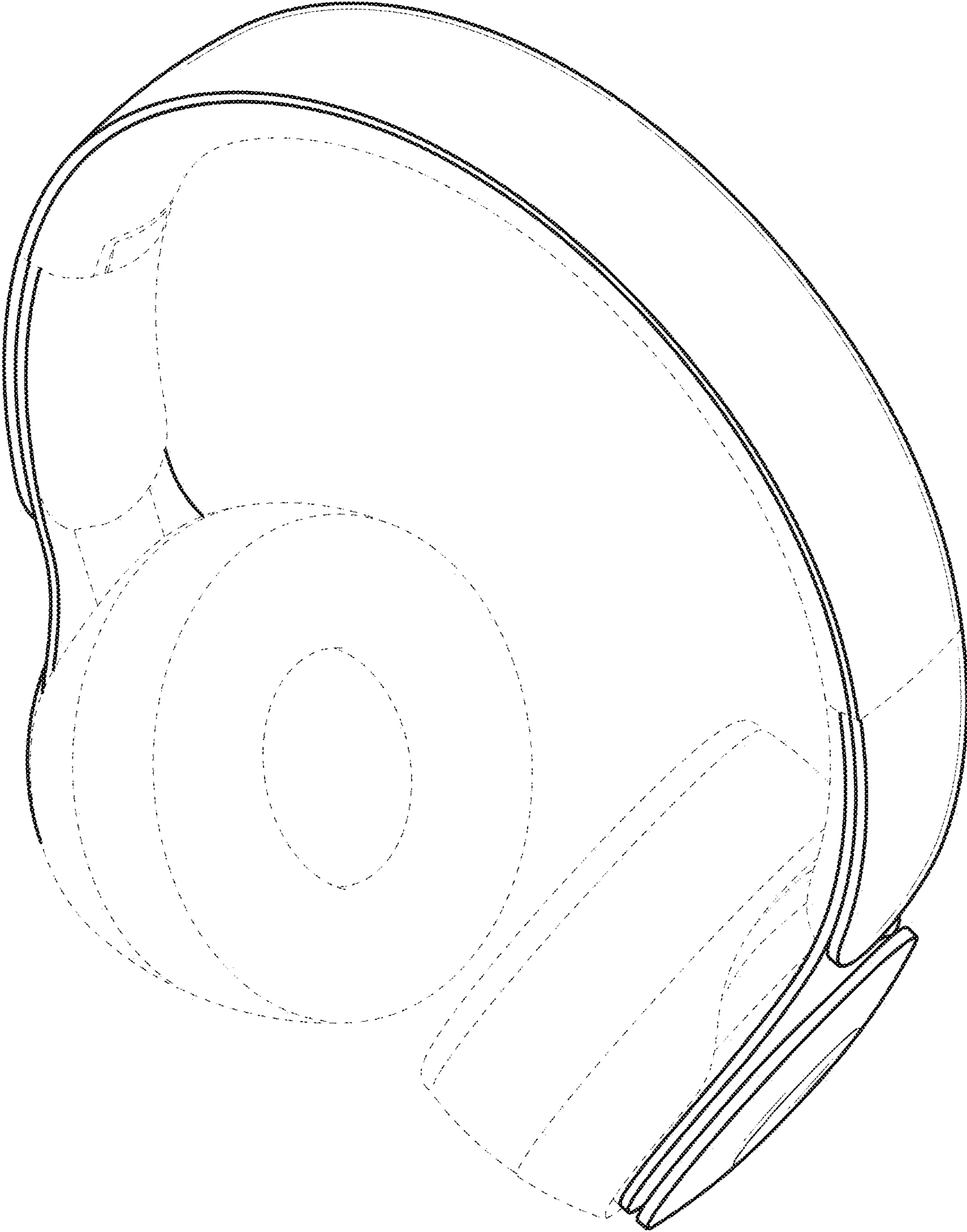


FIG. 2

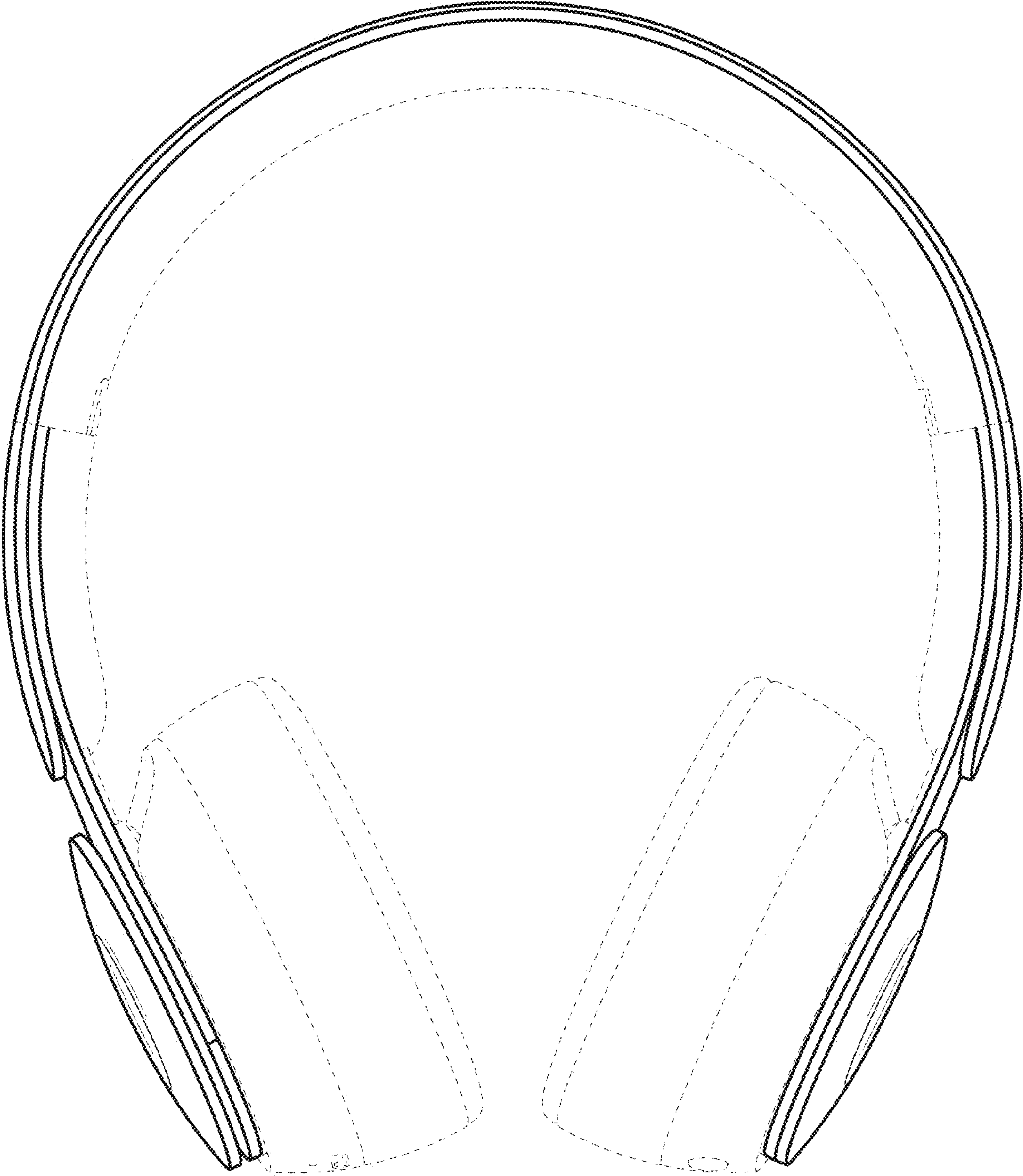


FIG. 3

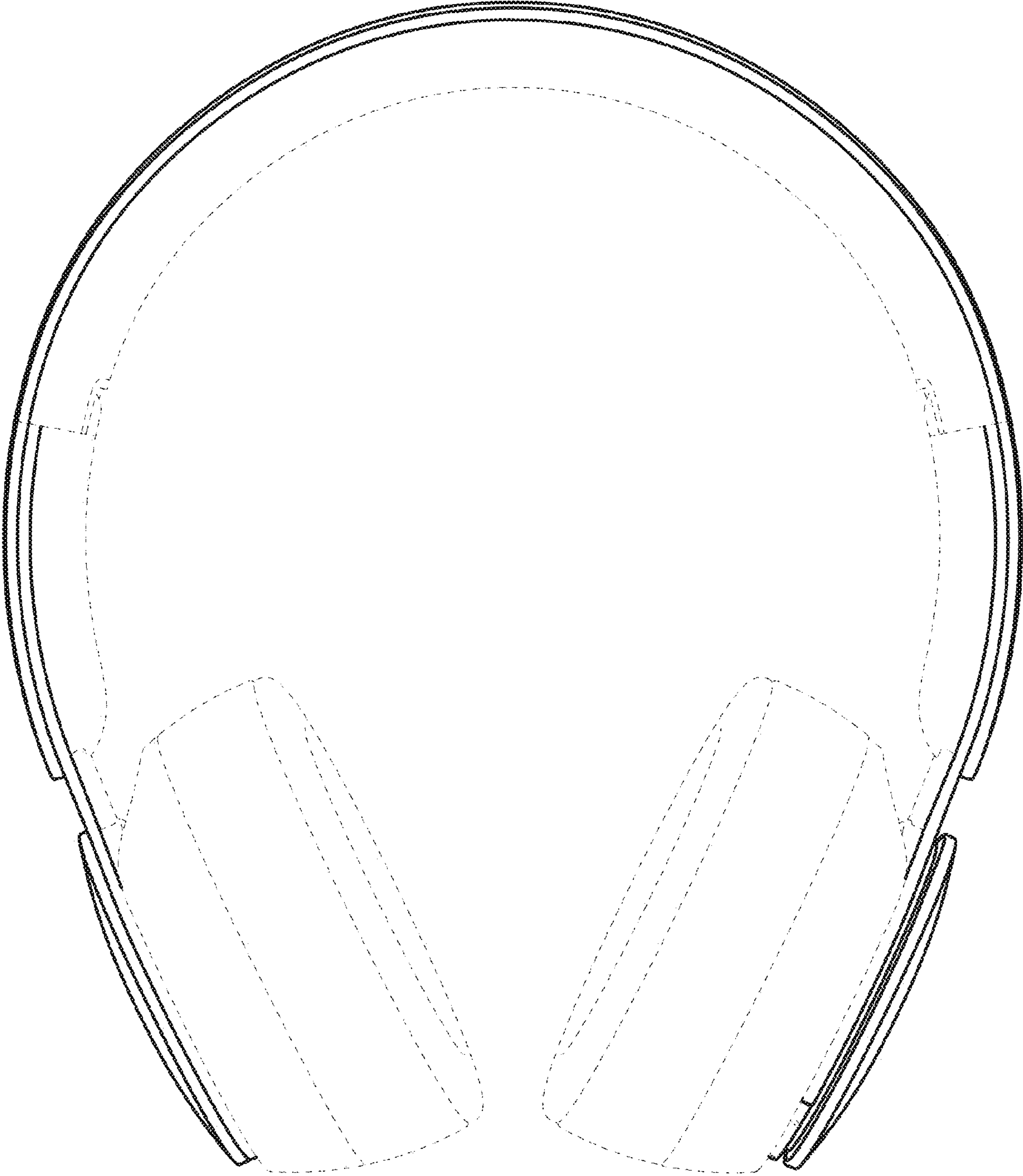


FIG. 4

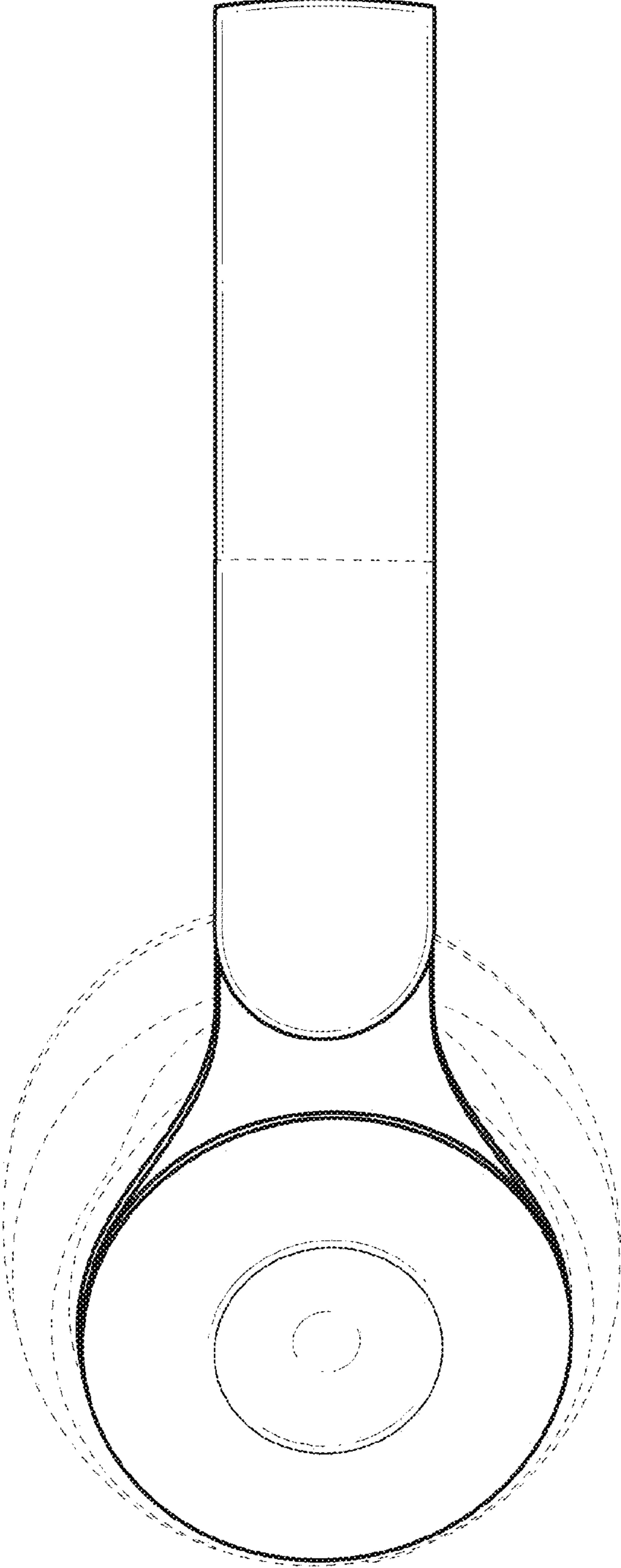


FIG. 5

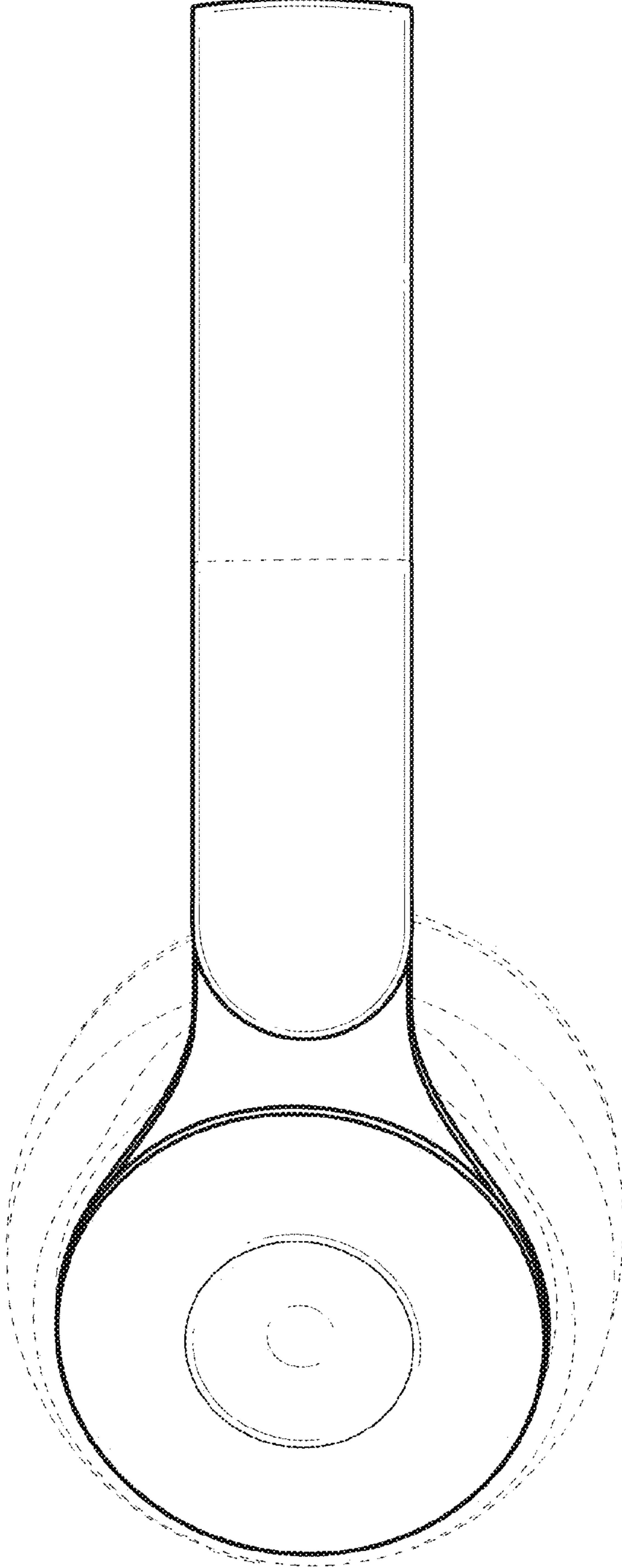


FIG. 6

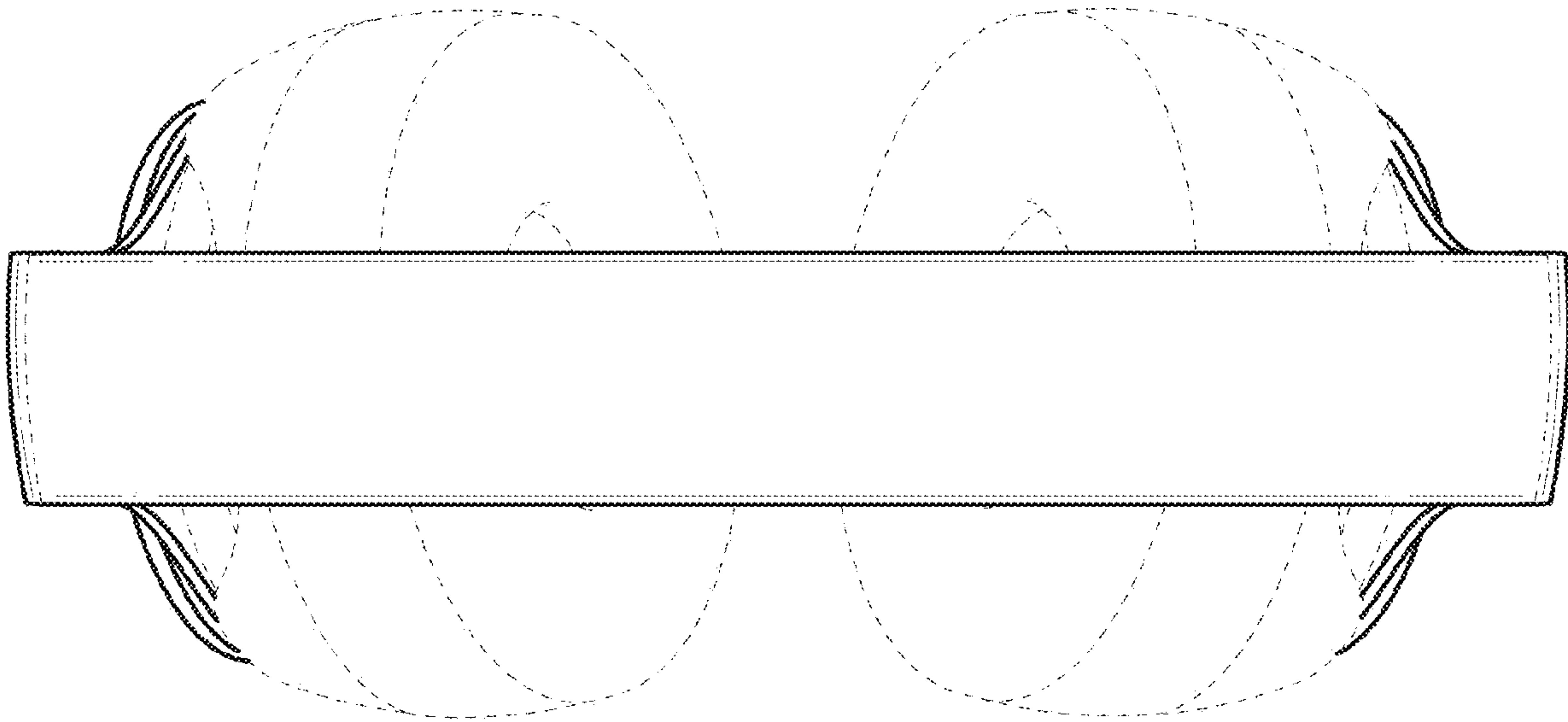


FIG. 7

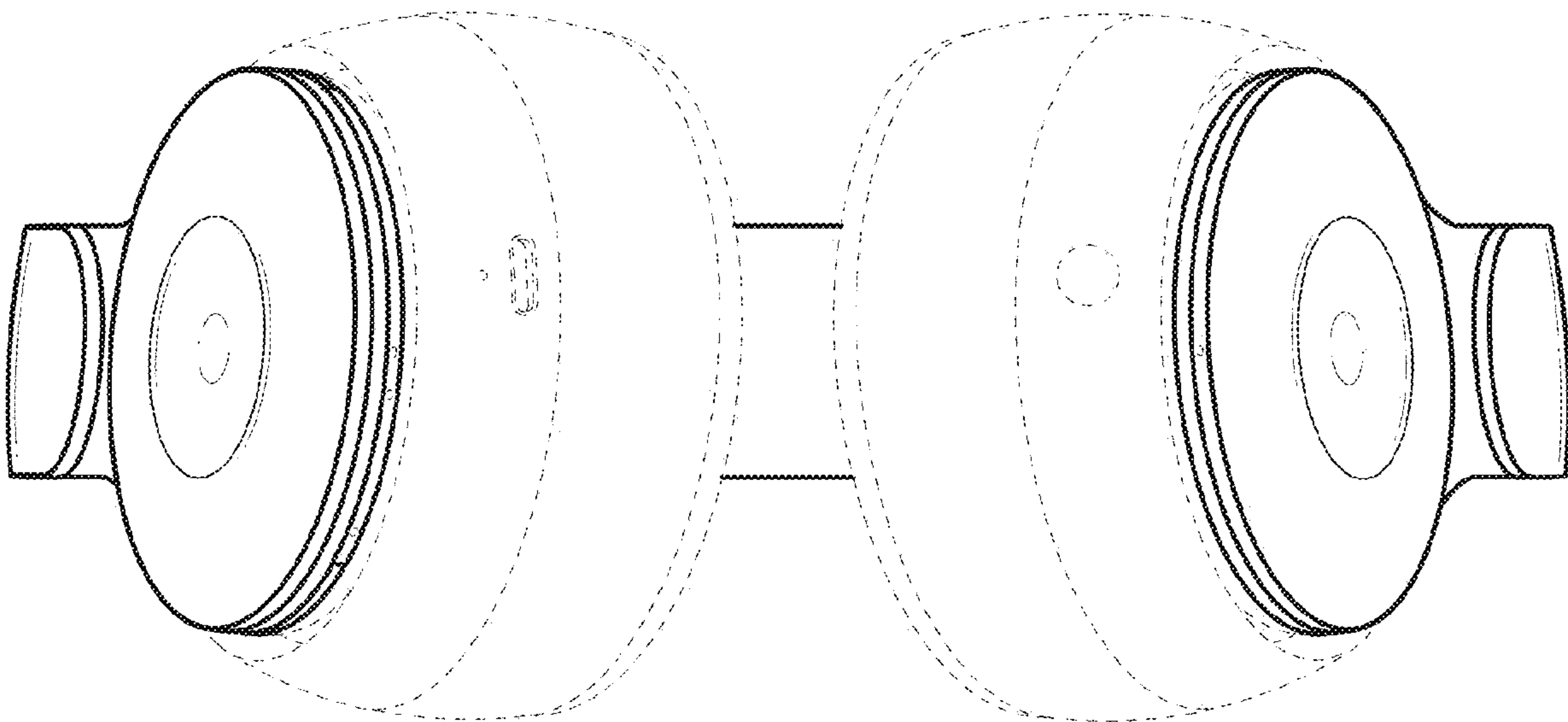


FIG. 8