



US00D949821S

(12) **United States Design Patent**
Hung et al.

(10) **Patent No.:** **US D949,821 S**
(45) **Date of Patent:** **** Apr. 26, 2022**

(54) **SOUNDBAR**

(71) Applicant: **Bose Corporation**, Framingham, MA
(US)

(72) Inventors: **Wei Wen Hung**, Singapore (SG);
Steven A. Silverstein, Marlborough,
MA (US)

(73) Assignee: **Bose Corporation**, Framingham, MA
(US)

(**) Term: **15 Years**

(21) Appl. No.: **29/810,377**

(22) Filed: **Oct. 4, 2021**

Related U.S. Application Data

(63) Continuation of application No. 29/718,426, filed on
Dec. 24, 2019, now Pat. No. Des. 932,461.

(51) **LOC (13) Cl.** **14-01**

(52) **U.S. Cl.**
USPC **D14/204**

(58) **Field of Classification Search**
USPC D14/125–126, 155–159, 160–173,
D14/187–188, 203.1–203.8, 204–216,
D14/217–222, 225–229, 445, 496, 500;
D16/200–208, 211, 216–219, 221, 225,
D16/230, 237

CPC H04R 1/02; H04R 1/021; H04R 1/025;
H04R 1/026; H04R 1/028; H04R 1/06;
H04R 1/105; H04R 1/323; H04R 1/403;
H04R 1/2803; H04R 1/2834

See application file for complete search history.

(56) **References Cited**

U.S. PATENT DOCUMENTS

D660,284 S * 5/2012 Carbone D14/214
D715,257 S * 10/2014 Son D14/214
D743,940 S * 11/2015 Yang D14/214

D754,100 S * 4/2016 McManigal D14/214
D756,968 S * 5/2016 Huang D14/214
D759,624 S * 6/2016 Byrd D14/204
D760,685 S * 7/2016 Sugiura D14/204

(Continued)

FOREIGN PATENT DOCUMENTS

CA 168337 * 1/2017
EM 004661510-0002 * 9/2018

(Continued)

OTHER PUBLICATIONS

Bose Smart Soundbar 300, date first available: Sep. 20, 2020,
[retrieved Dec. 2, 2021], Retrieved from Internet, URL: <https://www.amazon.com/Bose-Soundbar-Bluetooth-Connectivity-Control/dp/B08D68QLW3/ref=sr_1_5?c=ts&keywords=Home%2BAudio%2BSound%E2%80%A6&th=1> (Year: 2020).*

(Continued)

Primary Examiner — Barbara Fox

Assistant Examiner — Aram Kwon

(57) **CLAIM**

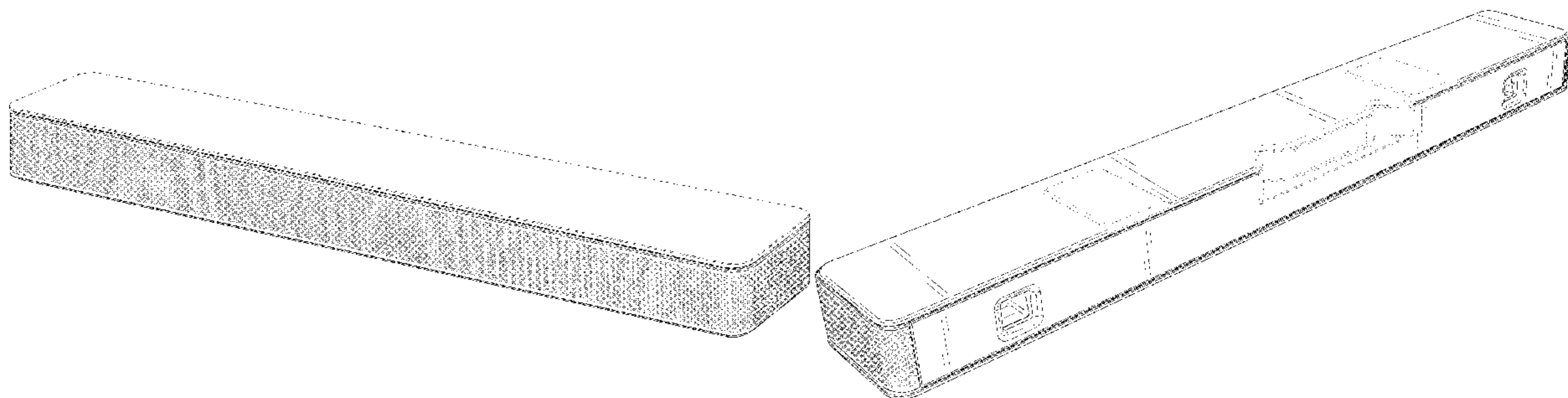
The ornamental design for a soundbar, as shown and
described.

DESCRIPTION

FIG. 1 is a top, front, right side perspective view of a
soundbar;
FIG. 2 is a back, bottom, left side perspective view thereof;
FIG. 3 is a front view thereof;
FIG. 4 is a back view thereof;
FIG. 5 is a left side view thereof;
FIG. 6 is a right side view thereof;
FIG. 7 is a top view thereof; and,
FIG. 8 is a bottom view thereof.

The broken lines in the drawings depict portions of the
soundbar that form no part of the claimed design.

1 Claim, 5 Drawing Sheets



(56)

References Cited

U.S. PATENT DOCUMENTS

D764,440 S * 8/2016 Xin D14/214
 D766,873 S * 9/2016 Washio D14/214
 D791,736 S * 7/2017 Schoolmeester D14/214
 D800,693 S * 10/2017 Sugiura D14/214
 D800,694 S * 10/2017 Sugiura D14/214
 D817,308 S * 5/2018 Sugiura D14/214
 D818,455 S * 5/2018 McManigal D14/214
 D826,216 S * 8/2018 Schoolmeester D14/214
 D831,001 S * 10/2018 Sugiura D14/214
 D835,605 S * 12/2018 Schoolmeester D14/214
 D836,082 S * 12/2018 McManigal D14/204
 D862,415 S * 10/2019 Krizan D14/214
 D864,160 S * 10/2019 Bang D14/214
 D883,953 S * 5/2020 Chong D14/214
 D886,799 S * 6/2020 Yang D14/214
 D900,060 S * 10/2020 Oota D14/214
 D900,785 S * 11/2020 Kim D14/214
 D900,786 S * 11/2020 Kim D14/214
 D906,283 S * 12/2020 Schoolmeester D14/214
 D906,286 S * 12/2020 Hung D14/214
 D920,279 S * 5/2021 Sugiura D14/204
 D932,461 S * 10/2021 Hung D14/204
 D933,630 S * 10/2021 Sugiura D14/204
 D936,634 S * 11/2021 Park D14/214
 2017/0295426 A1 * 10/2017 Park H04R 1/403

FOREIGN PATENT DOCUMENTS

JP D1672763 * 11/2020
 KR 300887218.0000 * 12/2016
 KR 301072250.0000 * 8/2020
 KR 301110437.0000 * 5/2021

OTHER PUBLICATIONS

Bose Smart Soundbar 300 Soundbar Review, updated: Oct. 4, 2021, [retrieved Dec. 2, 2021], Retrieved from Internet, URL: <<https://www.rtings.com/soundbar/reviews/bose/smart-soundbar-300>> (Year: 2021).*

Bose Smart Soundbar 300 Review, Dec. 1, 2020, [retrieved Dec. 2, 2021], Retrieved from Internet, URL: <<https://www.soundbars.com/blog/bose-smart-soundbar-300-review>> (Year: 2020).*

Bose® SoundTouch® 300 soundbar, review date: Oct. 16, 2016, [retrieved Dec. 2, 2021], Retrieved from Internet, URL: <https://www.crutchfield.com/S-11i4GIHTk4e/p_018ST300/Bose-SoundTouch-300-soundbar.html> (Year: 2016).*

Bose Smart Soundbar 300—Unboxing + Setup, Sep. 28, 2020, [retrieved Dec. 2, 2021], retrieved from Internet, URL: <<https://www.youtube.com/watch?v=WxzDmt7wgTM>> (Year: 2020).*

* cited by examiner

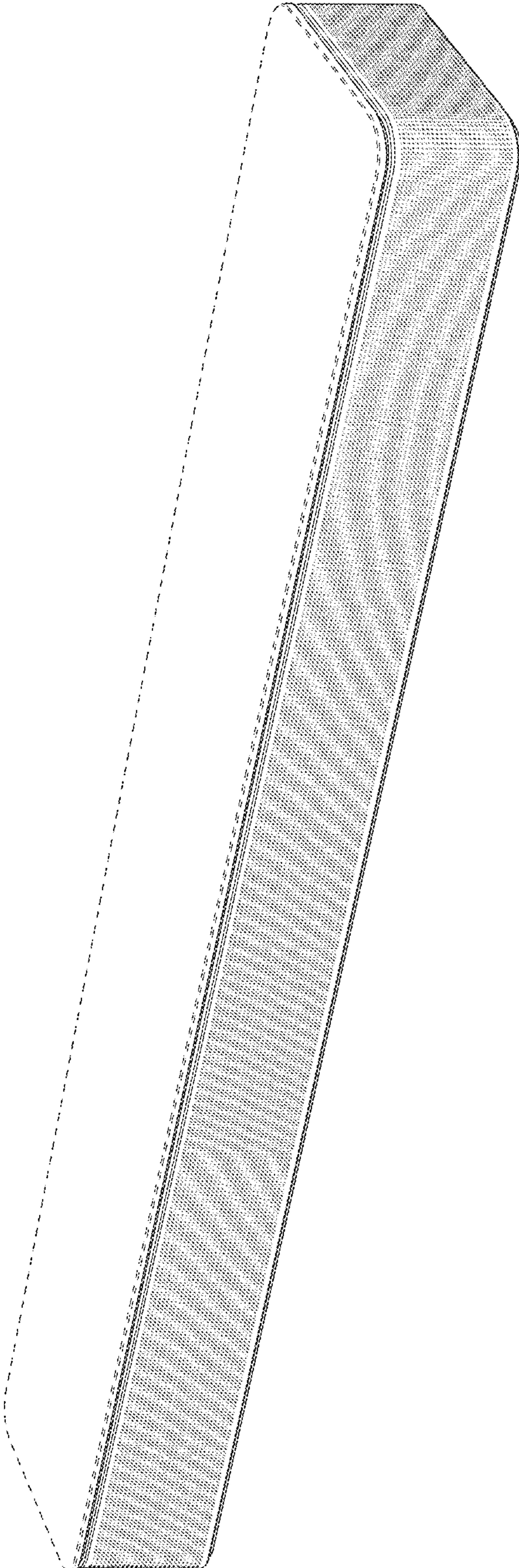


FIG. 1

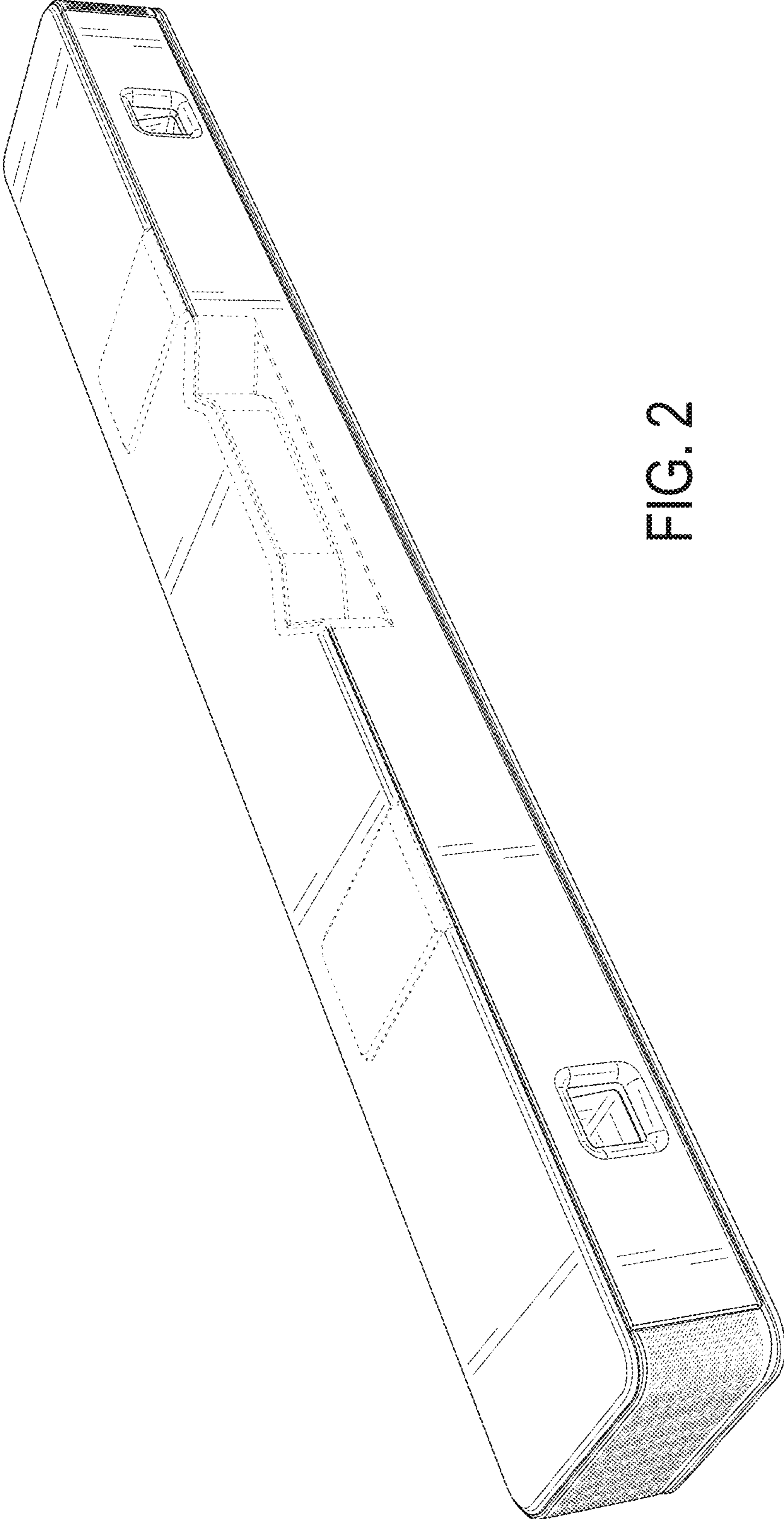


FIG. 2

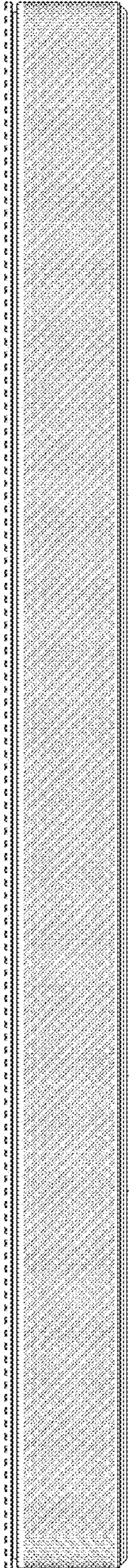


FIG. 3

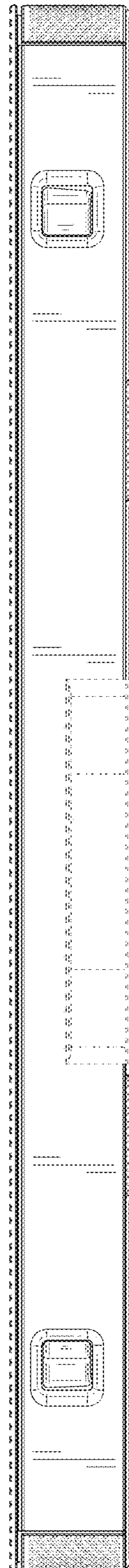


FIG. 4

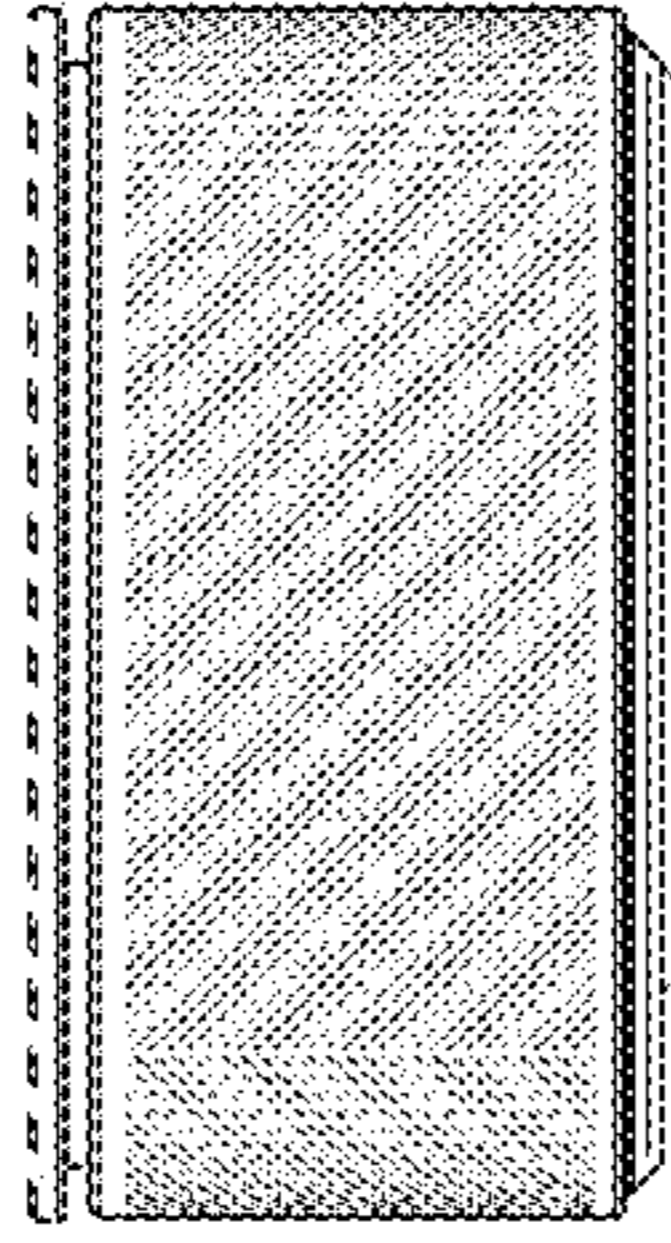


FIG. 5

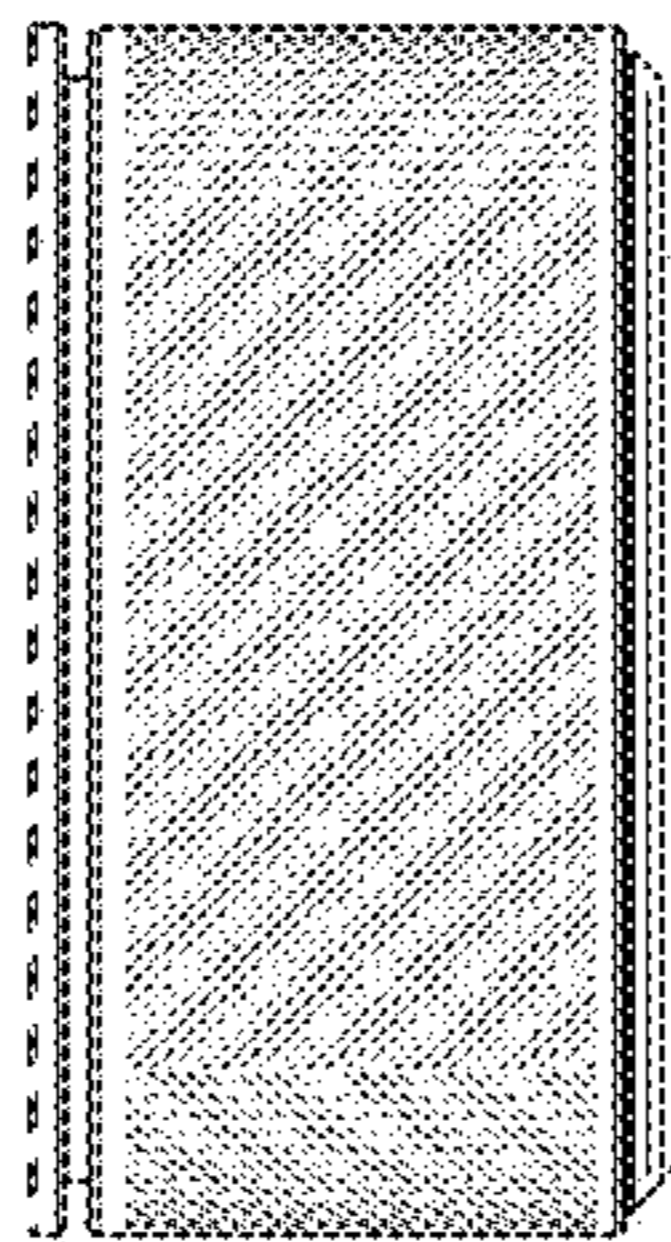


FIG. 6

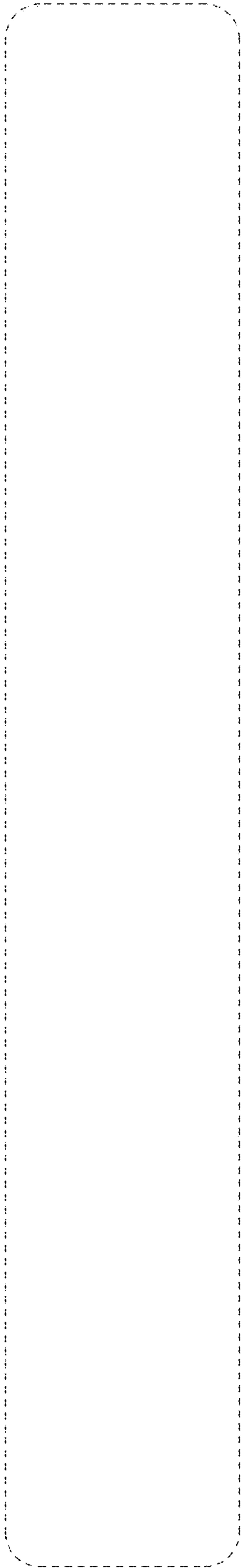


FIG. 7

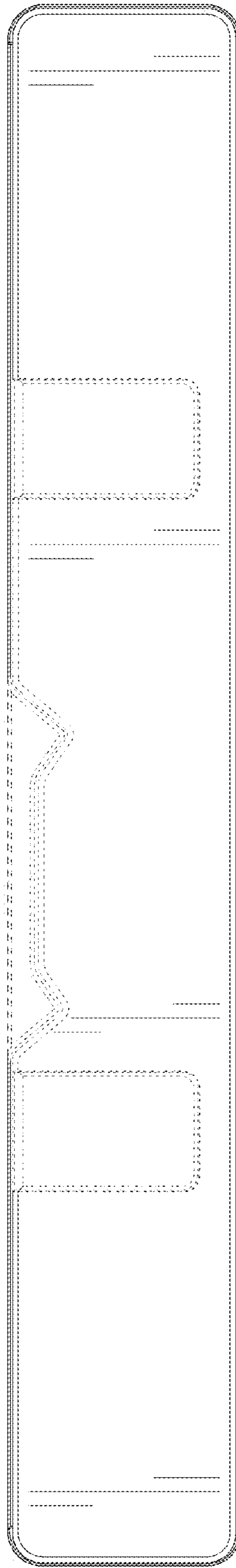


FIG. 8