



US00D949820S

(12) **United States Design Patent** (10) **Patent No.:** **US D949,820 S**  
**Carbone** (45) **Date of Patent:** **\*\* Apr. 26, 2022**

(54) **LOUDSPEAKER**

(71) Applicant: **Bose Corporation**, Framingham, MA (US)

(72) Inventor: **Richard J. Carbone**, Sterling, MA (US)

(73) Assignee: **Bose Corporation**, Boston, MA (US)

(\*\*) Term: **15 Years**

(21) Appl. No.: **29/738,831**

(22) Filed: **Jun. 19, 2020**

(51) **LOC (13) Cl.** ..... **14-01**

(52) **U.S. Cl.**  
USPC ..... **D14/204**

(58) **Field of Classification Search**  
USPC ..... D14/168, 172, 204, 212, 215  
CPC ..... H04R 1/26; H04R 1/025; H04R 1/30  
See application file for complete search history.

(56) **References Cited**

**U.S. PATENT DOCUMENTS**

D421,438 S	*	3/2000	Bothe	.....	D14/213
D446,784 S	*	8/2001	Lancaster	.....	D14/214
D657,348 S	*	4/2012	Shim	.....	D14/214
D718,275 S	*	11/2014	Shim	.....	D14/214
D808,351 S	*	1/2018	Won	.....	D14/125
D847,785 S	*	5/2019	Pietschmann	.....	D14/214
D897,991 S	*	10/2020	Gonzalez	.....	D14/214
D905,662 S	*	12/2020	Gonzalez	.....	D14/214

**OTHER PUBLICATIONS**

[Webinar Presentacion nuevas familias de altavoces Bose L1 Pro y AMM], announced in YouTube on Oct. 29, 2021 [online], [Jan. 19, 2022], Available from the internet URL: <https://www.youtube.com/watch?v=MBqL8n3qWqk> (Year: 2021).\*

\* cited by examiner

*Primary Examiner* — Khawaja Anwar

*Assistant Examiner* — Megan Tiana Rakos

(74) *Attorney, Agent, or Firm* — Bose Corporation

(57) **CLAIM**

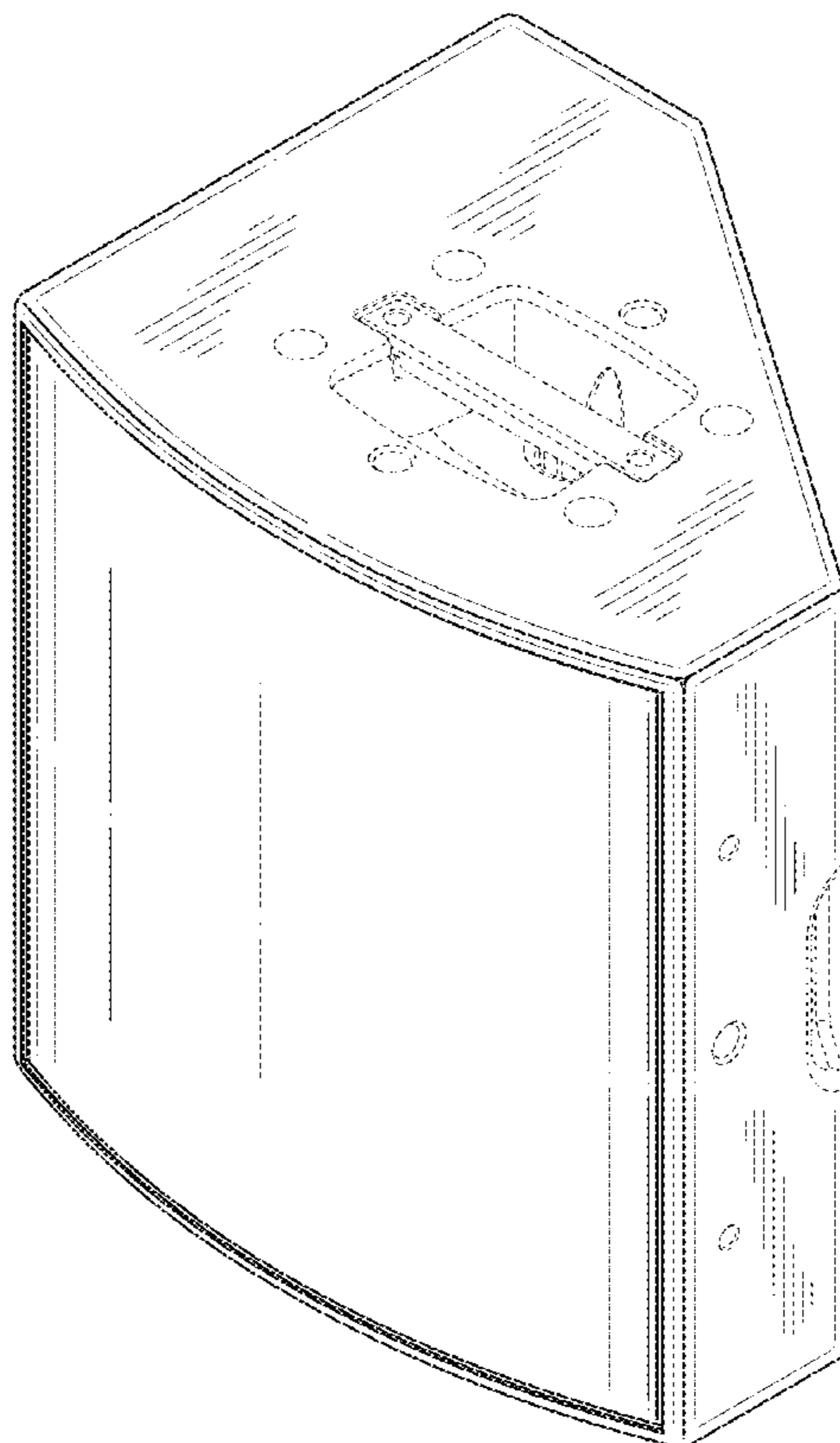
The ornamental design for a loudspeaker, substantially as shown and described.

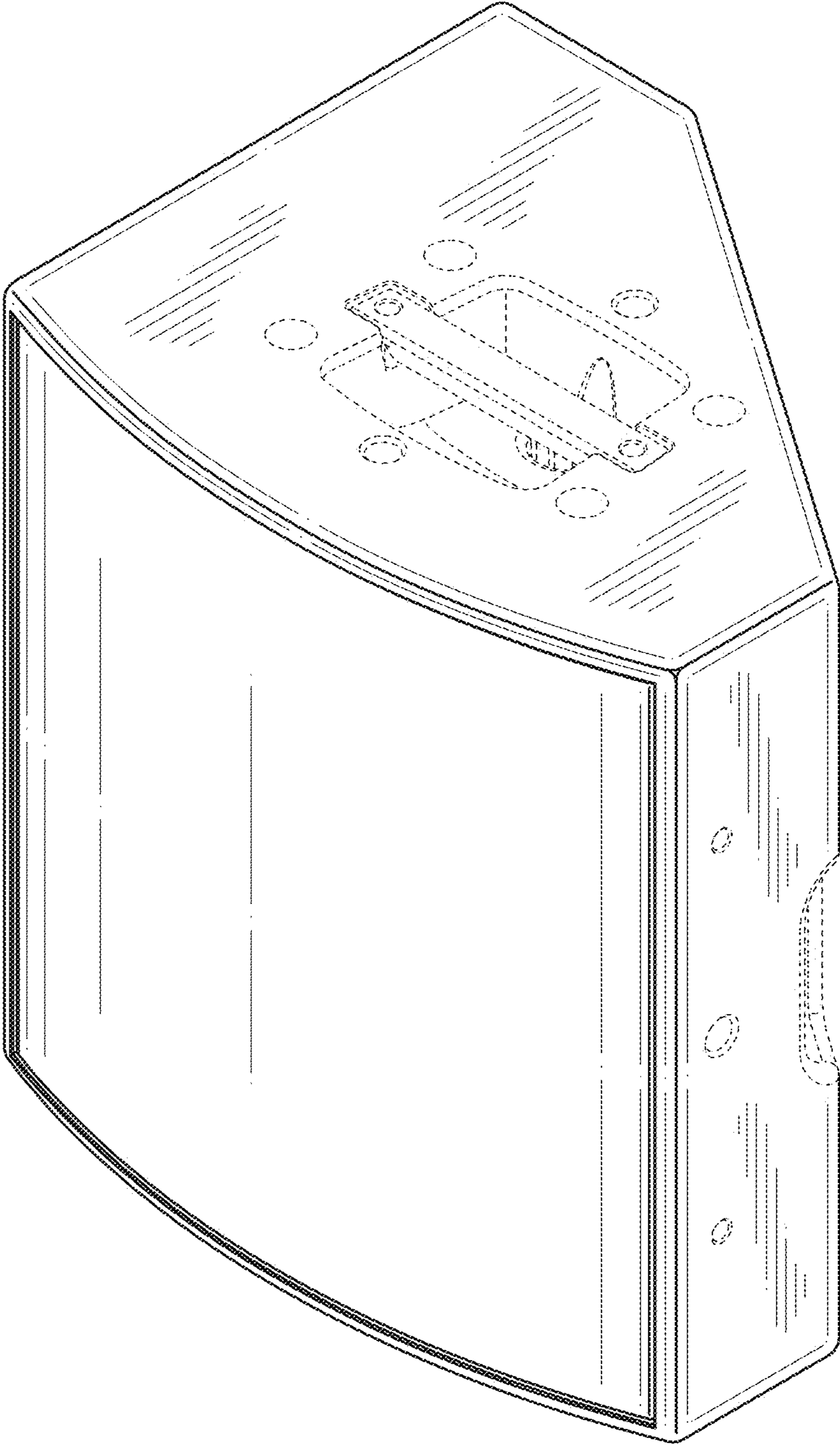
**DESCRIPTION**

FIG. 1 is a perspective view of a loudspeaker as seen from the front, top and right side;  
FIG. 2 is a front view thereof;  
FIG. 3 is a right side view thereof;  
FIG. 4 is a rear view thereof;  
FIG. 5 is a left side view thereof;  
FIG. 6 is a top view thereof; and,  
FIG. 7 is a bottom view thereof.

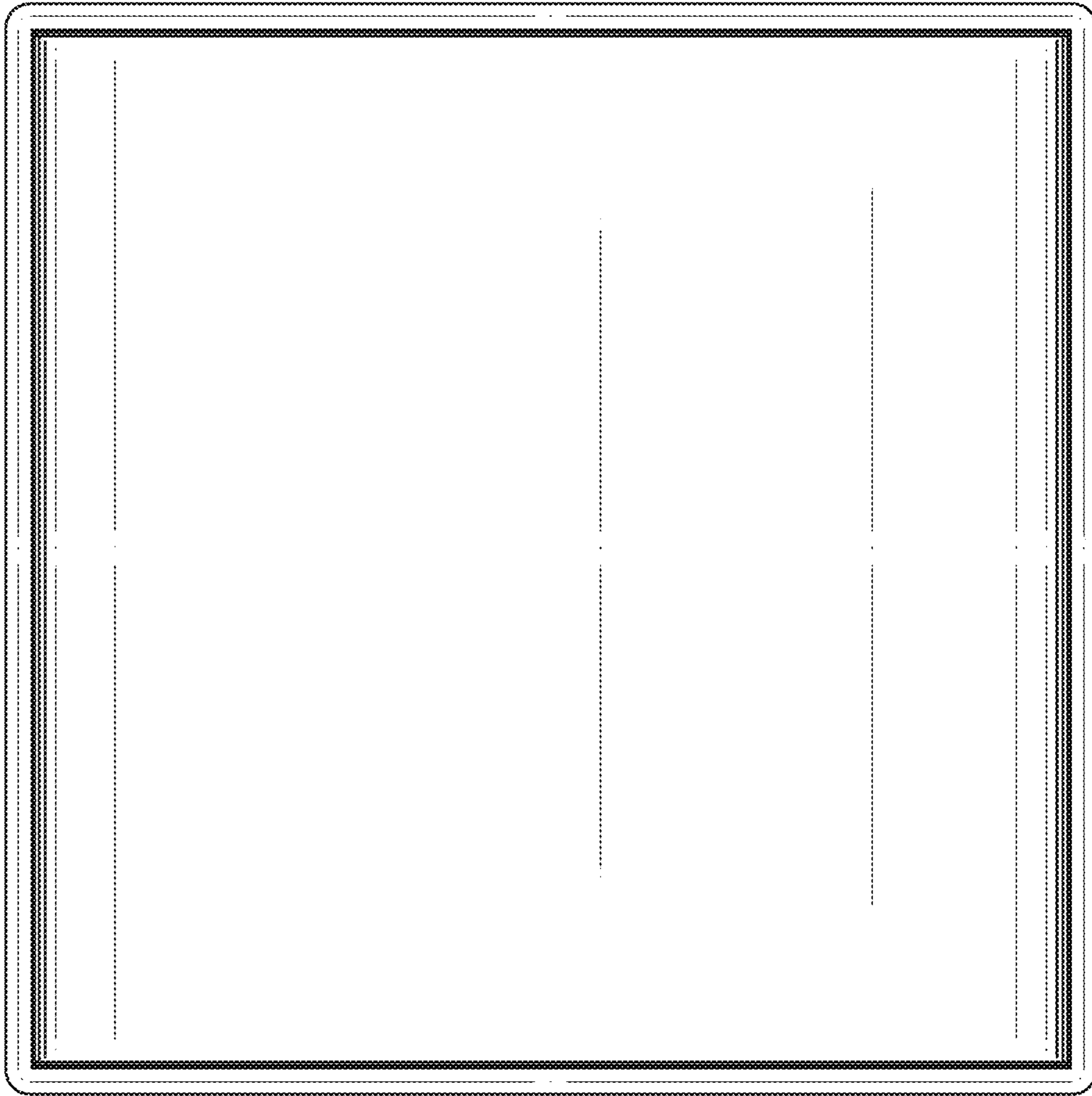
The dotted line portions of the drawings represent environmental structure only and form no part of the claimed design.

**1 Claim, 7 Drawing Sheets**

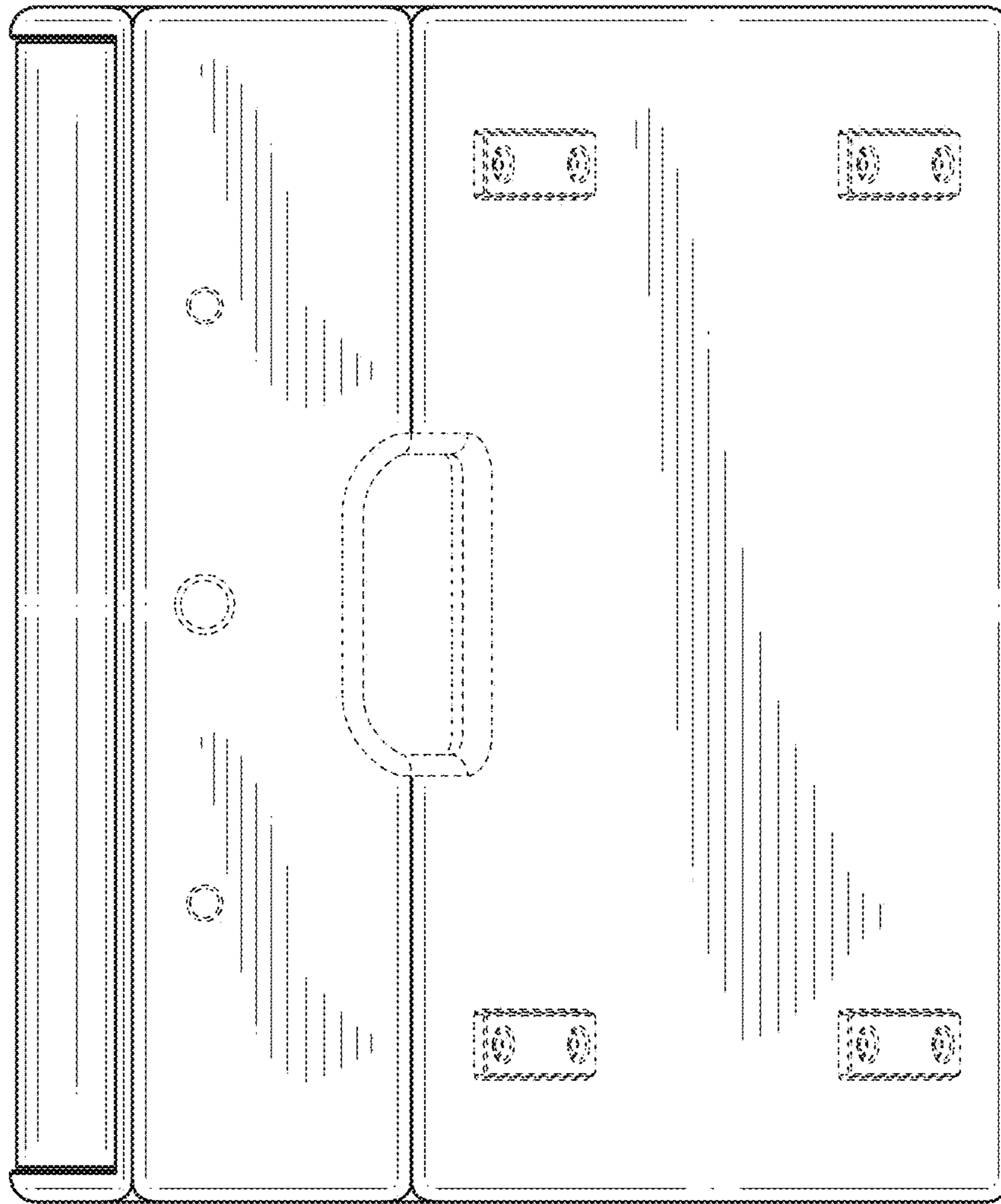




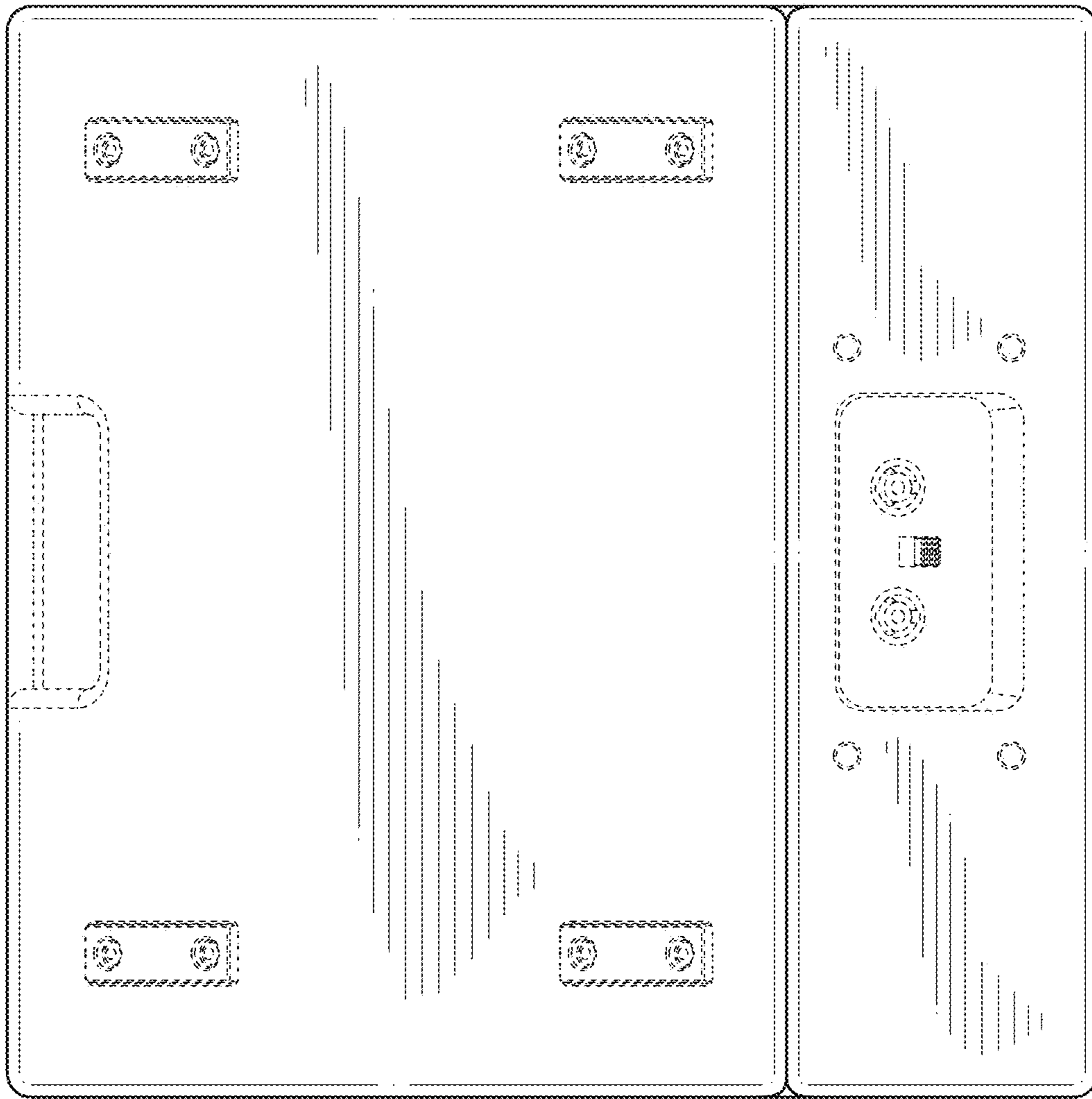
**FIG. 1**



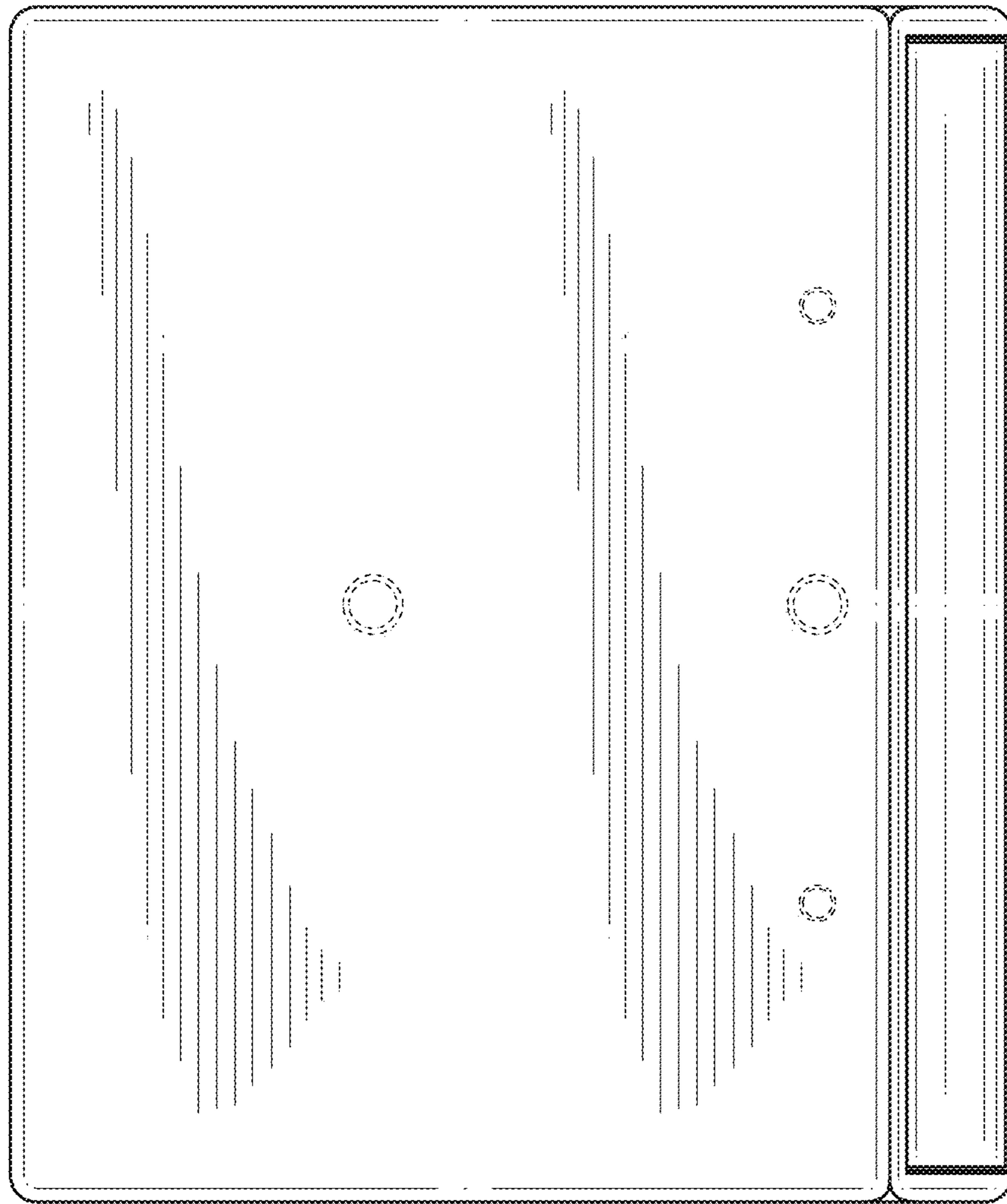
**FIG. 2**



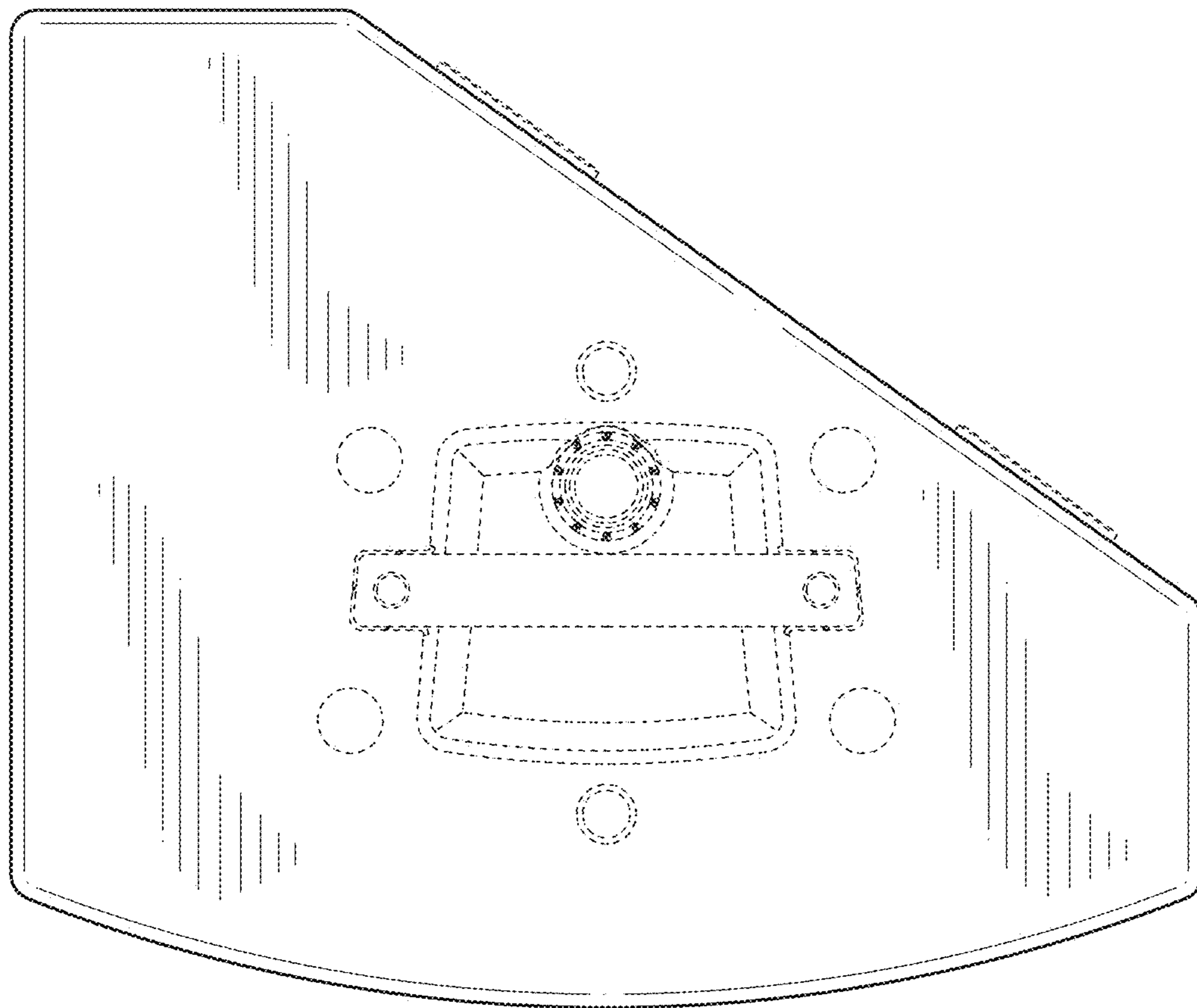
**FIG. 3**



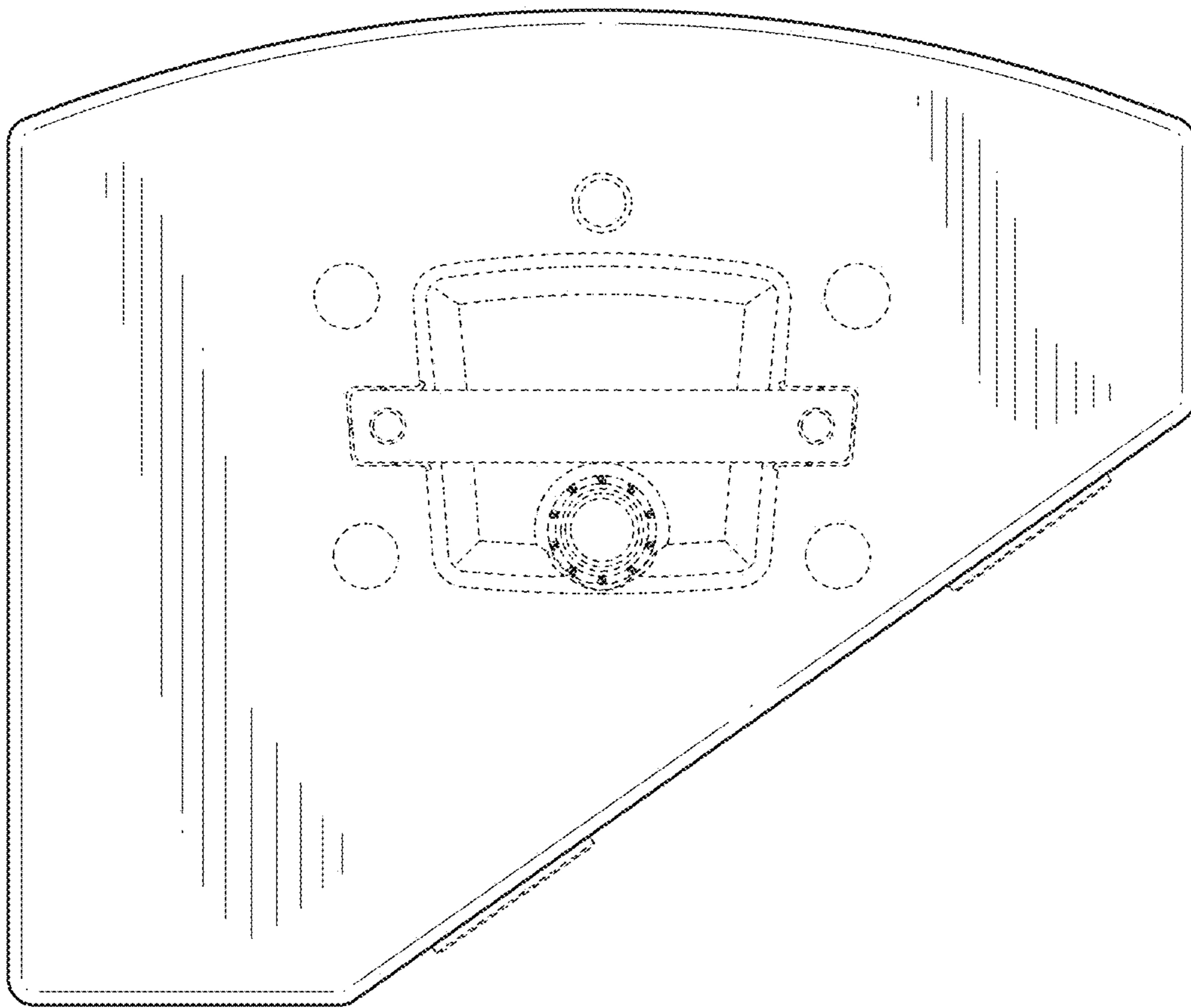
**FIG. 4**



**FIG. 5**



**FIG. 6**



**FIG. 7**