



US00D949818S

(12) **United States Design Patent**
Carbone

(10) **Patent No.:** **US D949,818 S**

(45) **Date of Patent:** **** Apr. 26, 2022**

(54) **LOUDSPEAKER**

OTHER PUBLICATIONS

(71) Applicant: **Bose Corporation**, Framingham, MA
(US)

[Webinar Presentacion nuevas familias de altavoces Bose L1 Pro y AMM], announced in YouTube on Oct. 29, 2021 [online], [Jan. 19, 2022], Available from the internet URL: <https://www.youtube.com/watch?v=MBqL8n3qWqk> (Year: 2021).*

(72) Inventor: **Richard J. Carbone**, Sterling, MA
(US)

* cited by examiner

(73) Assignee: **Bose Corporation**, Framingham, MA
(US)

Primary Examiner — Khawaja Anwar

Assistant Examiner — Megan Tiana Rakos

(**) Term: **15 Years**

(74) *Attorney, Agent, or Firm* — Bose Corporation

(21) Appl. No.: **29/738,824**

(22) Filed: **Jun. 19, 2020**

(57) **CLAIM**

(51) **LOC (13) Cl.** **14-01**

The ornamental design for a loudspeaker, substantially as shown and described.

(52) **U.S. Cl.**

USPC **D14/204**

(58) **Field of Classification Search**

USPC D14/168, 172, 204, 212, 215

CPC H04R 1/26; H04R 1/025; H04R 1/30

See application file for complete search history.

DESCRIPTION

(56) **References Cited**

U.S. PATENT DOCUMENTS

D421,438 S *	3/2000	Bothe	D14/213
D446,784 S *	8/2001	Lancaster	D14/214
D657,348 S *	4/2012	Shim	D14/214
D718,275 S *	11/2014	Shim	D14/214
D808,351 S *	1/2018	Won	D14/125
D847,785 S *	5/2019	Pietschmann	D14/214
D897,991 S *	10/2020	Gonzalez	D14/214
D905,662 S *	12/2020	Gonzalez	D14/214

FIG. 1 is a perspective view of a loudspeaker as seen from the front, top and right side;

FIG. 2 is a front view thereof;

FIG. 3 is a right side view thereof;

FIG. 4 is a rear view thereof;

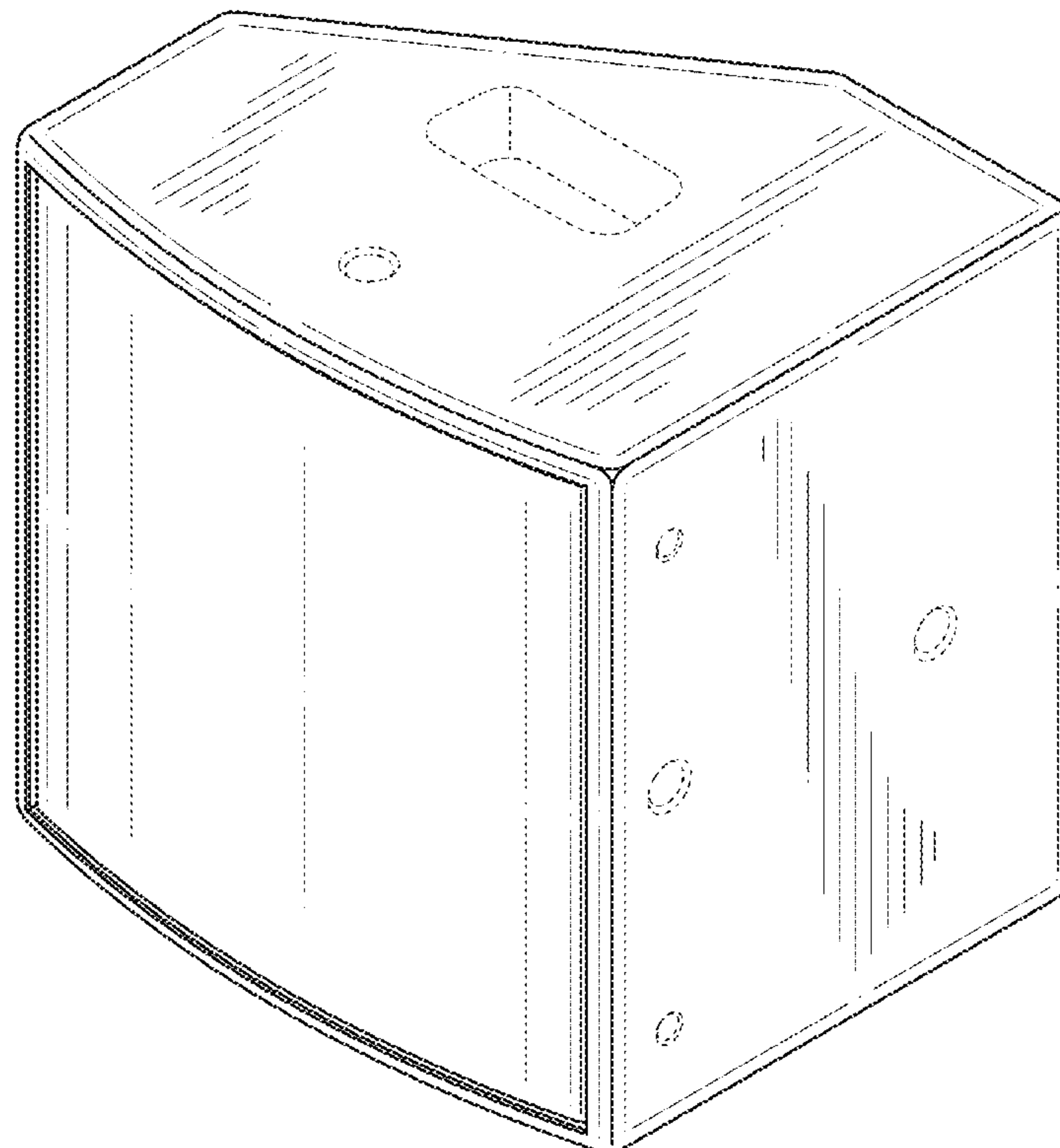
FIG. 5 is a left side view thereof;

FIG. 6 is a top view thereof; and,

FIG. 7 is a bottom view thereof.

The dotted line portions of the drawings represent environmental structure only and form no part of the claimed design.

1 Claim, 7 Drawing Sheets



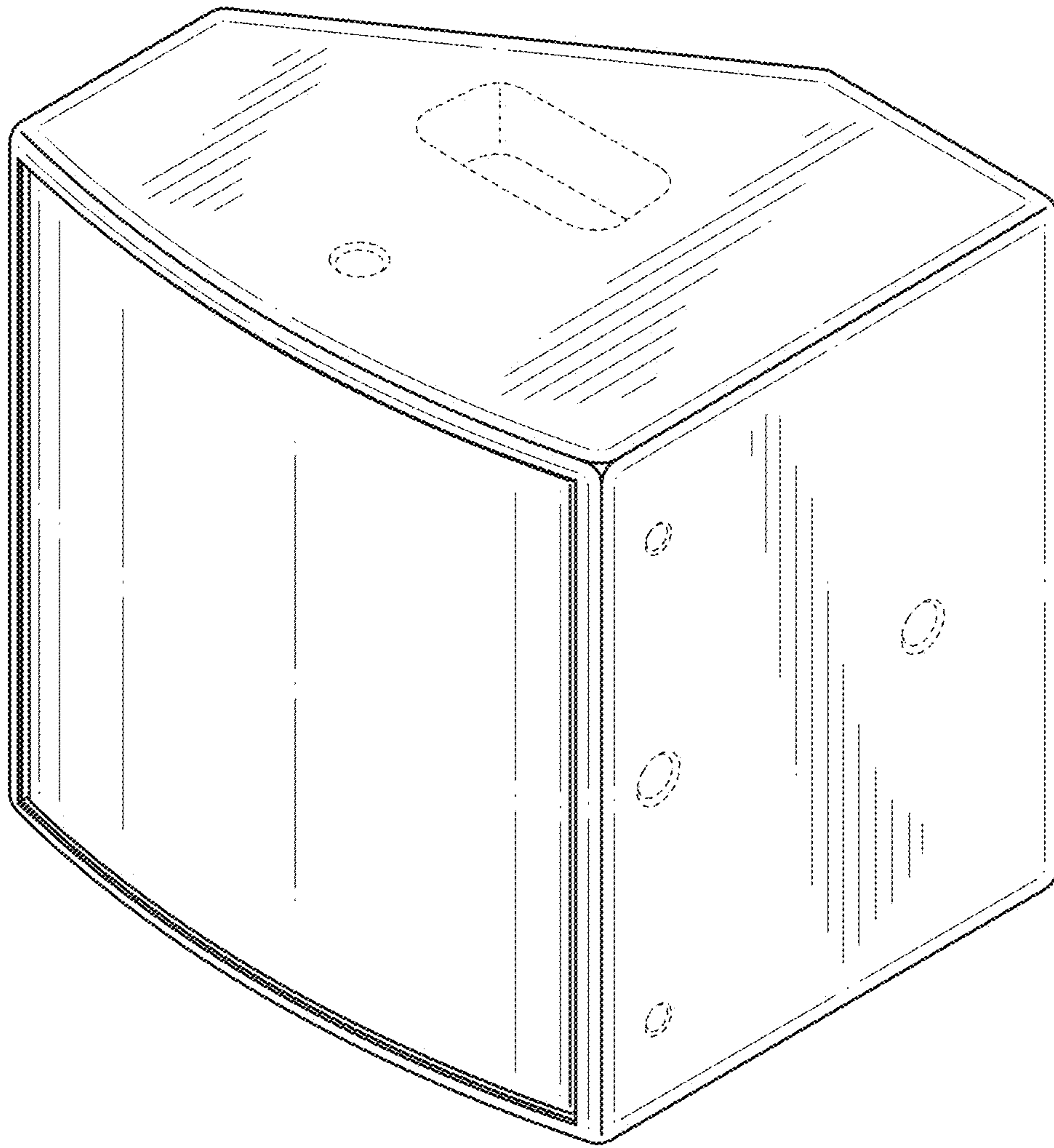


FIG. 1

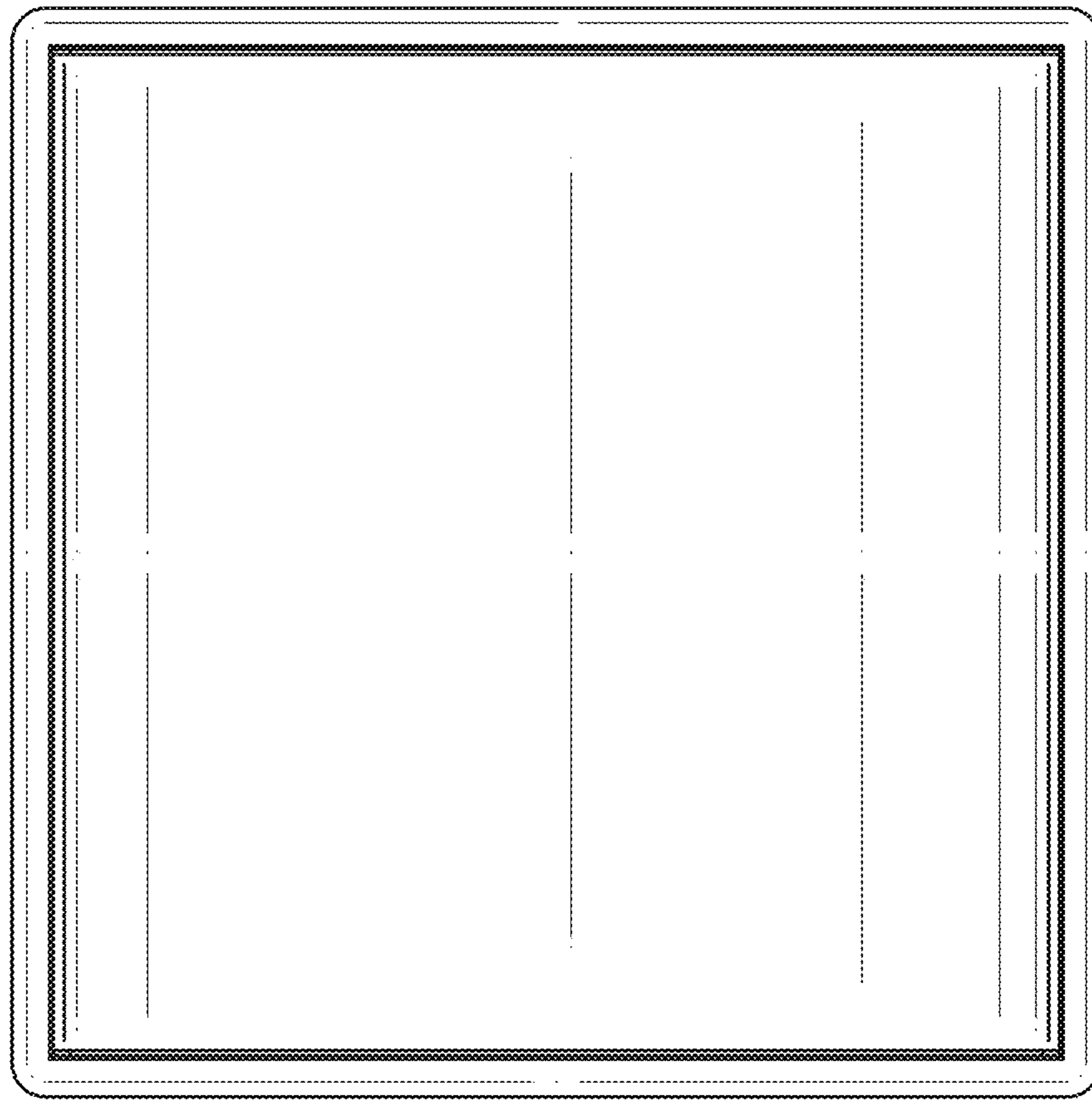


FIG. 2

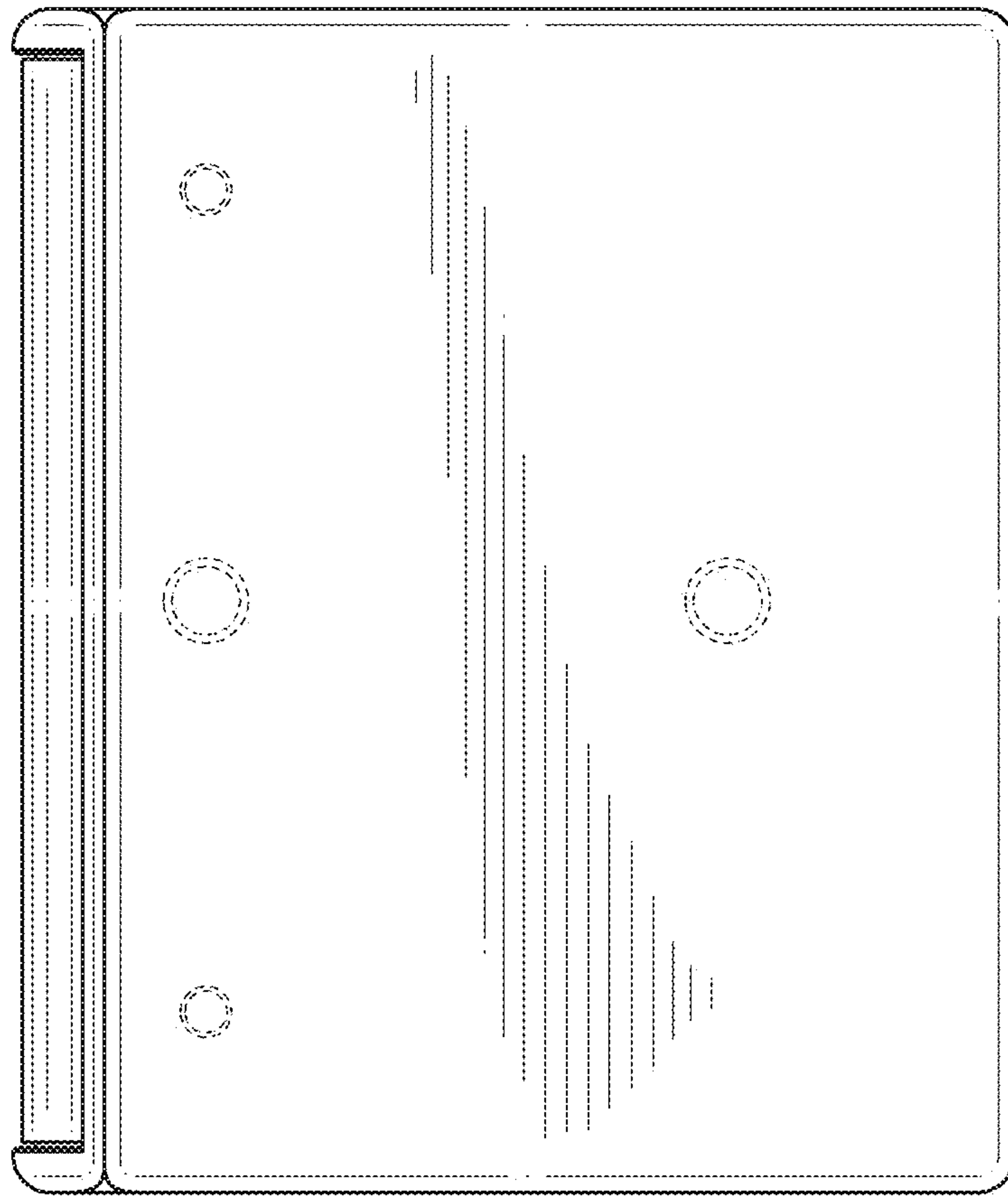


FIG. 3

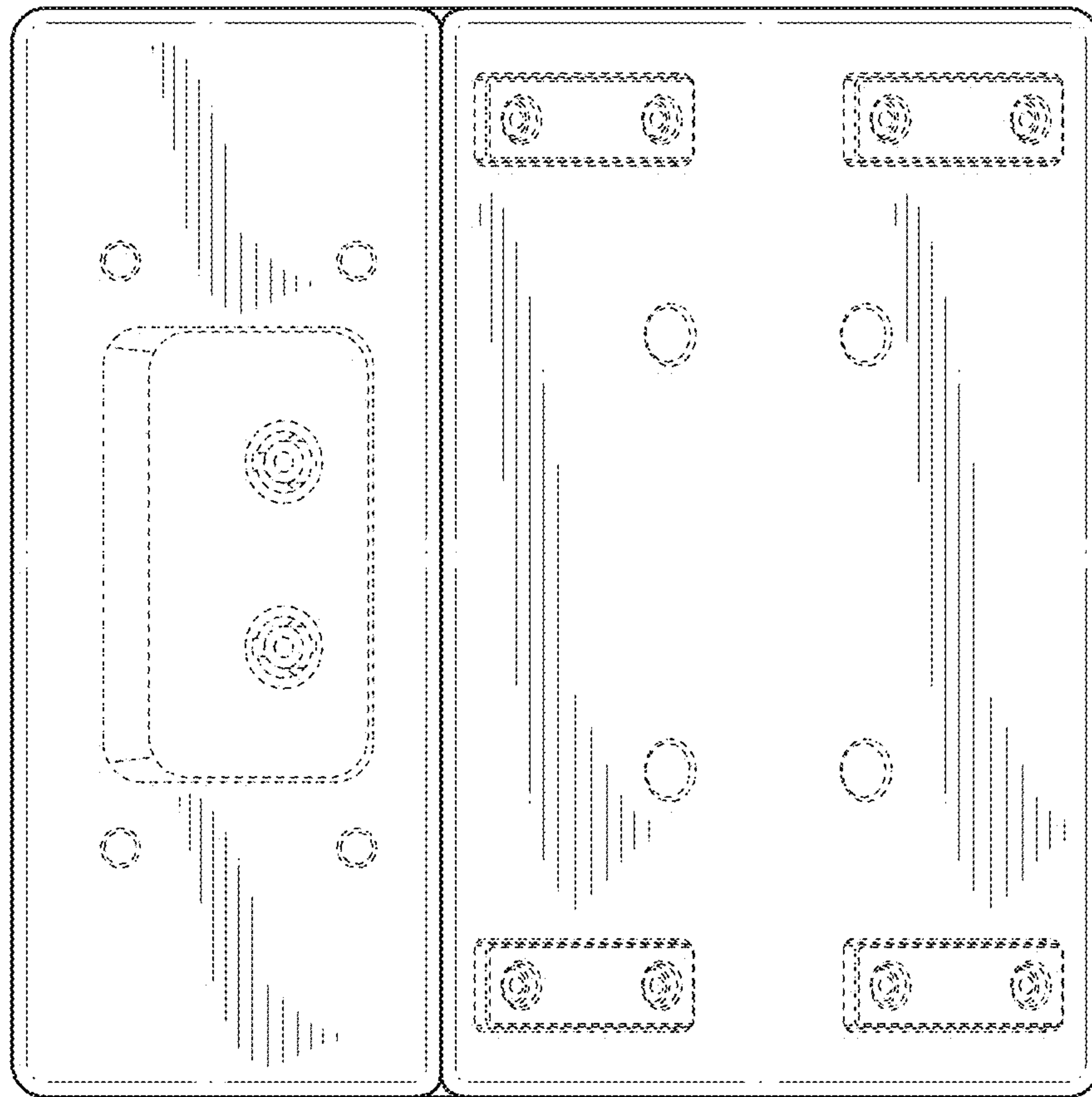


FIG. 4

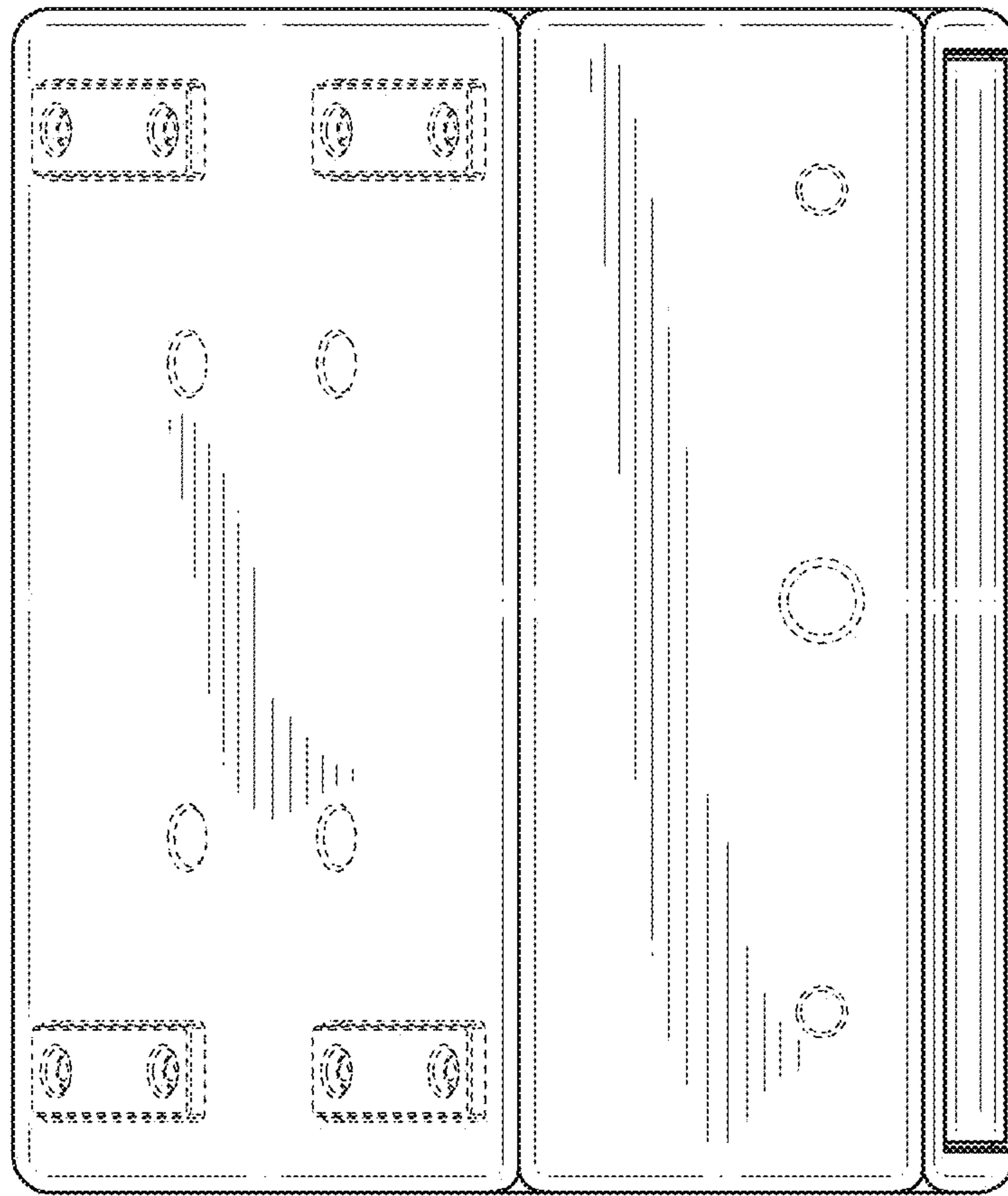


FIG. 5

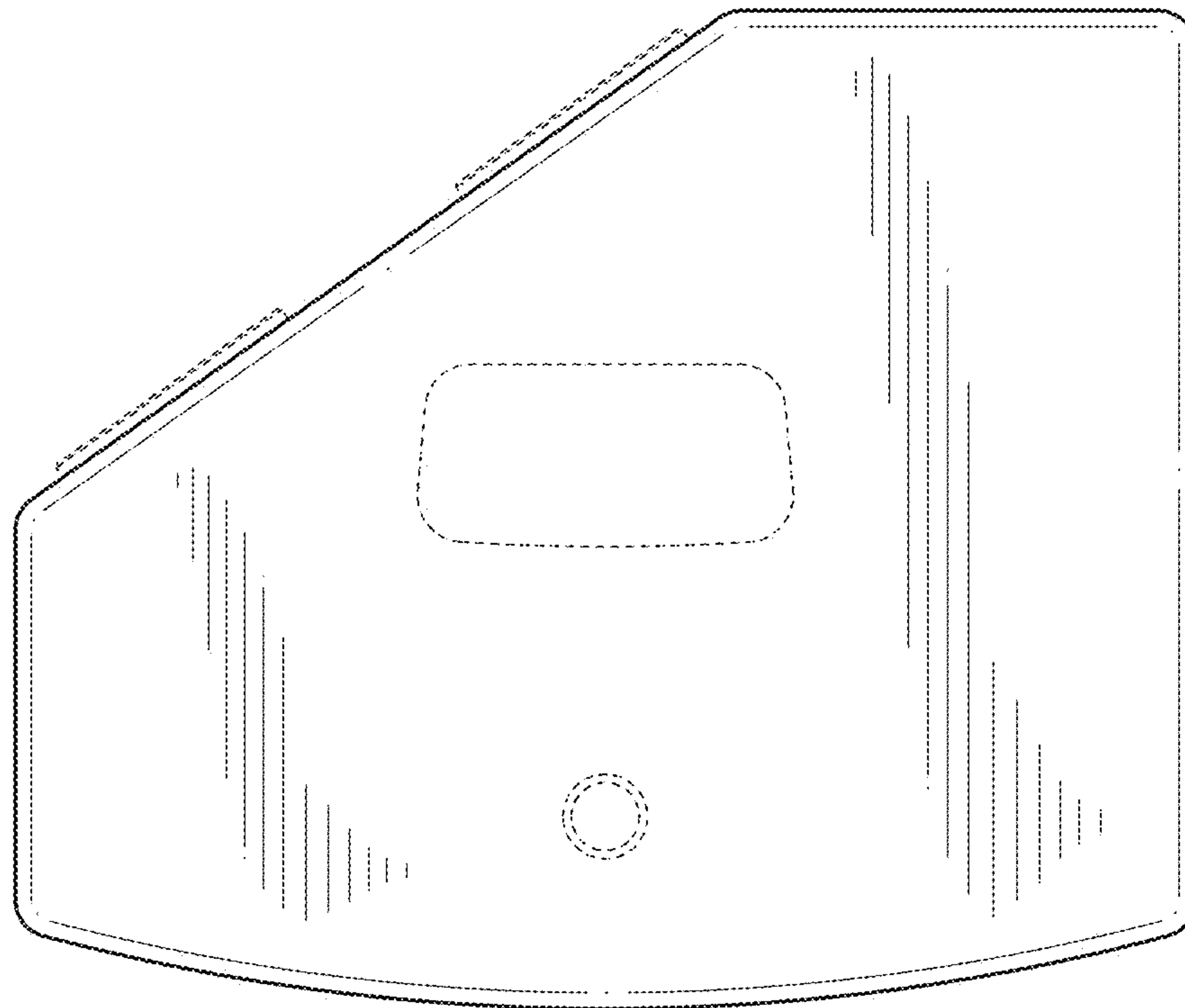


FIG. 6

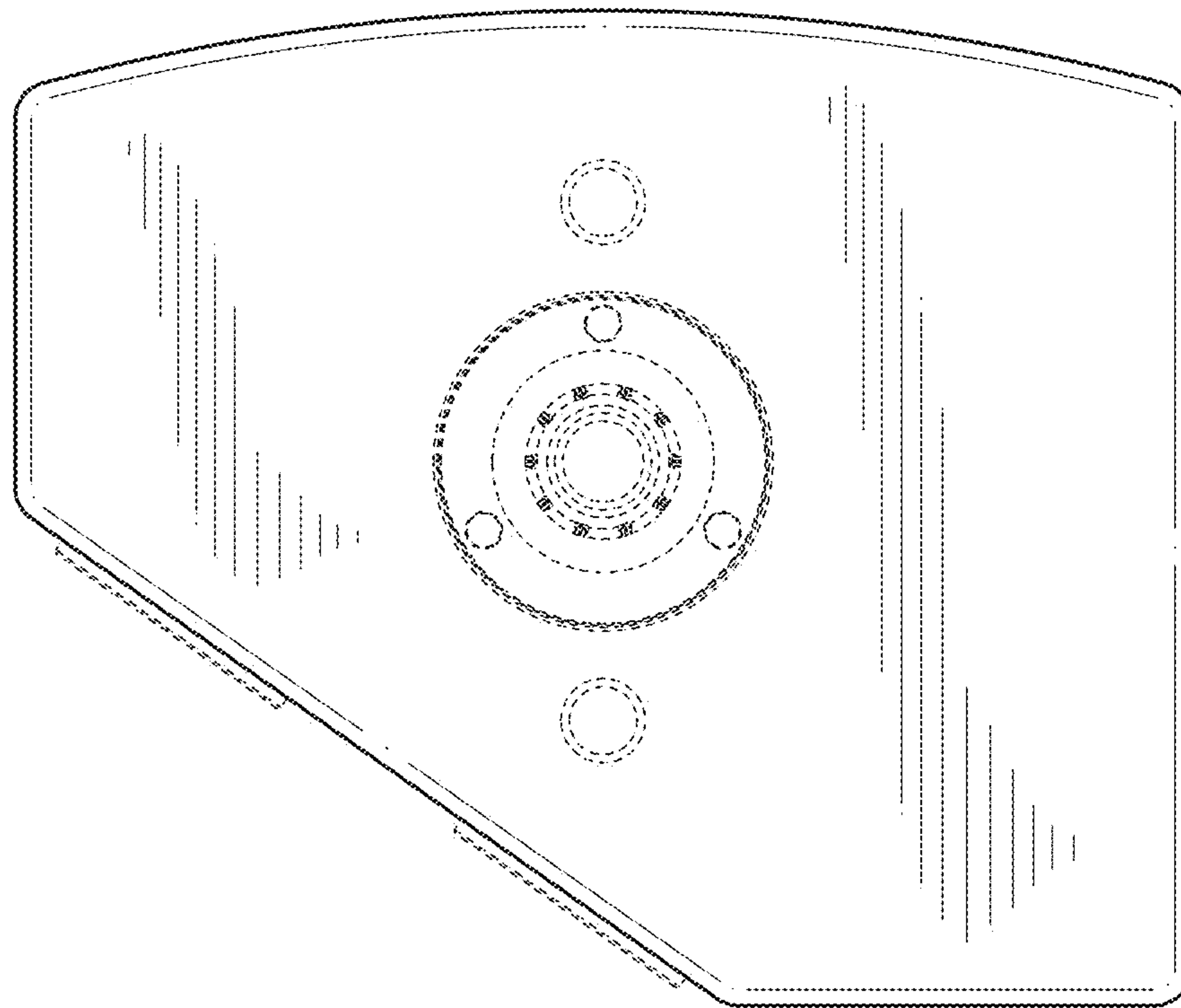


FIG. 7