



US00D949817S

(12) **United States Design Patent**
Shuai

(10) **Patent No.:** **US D949,817 S**

(45) **Date of Patent:** **** Apr. 26, 2022**

(54) **BABY MONITOR**

(71) Applicant: **Bin Shuai**, Yichun (CN)

(72) Inventor: **Bin Shuai**, Yichun (CN)

(**) Term: **15 Years**

(21) Appl. No.: **29/762,808**

(22) Filed: **Dec. 18, 2020**

(51) **LOC (13) Cl.** **14-03**

(52) **U.S. Cl.**
USPC **D14/159**

(58) **Field of Classification Search**
USPC D14/167, 154, 168, 188, 496, 156, 160,
D14/161, 162, 163, 164, 165, 158, 253,
D14/192, 159, 155, 138 AB, 137, 104.1;
455/351, 350, 353; D10/104, 106, 65,
D10/78; 340/573.4, 573.1
CPC . G06F 3/16; G08B 3/00; H04M 11/00; H04N
7/14; H04N 7/26
See application file for complete search history.

(56) **References Cited**

U.S. PATENT DOCUMENTS

D440,899 S * 4/2001 Heath D14/159
D487,470 S * 3/2004 Cobigo D10/104.1

D666,576 S * 9/2012 Marsh D14/159
D668,239 S * 10/2012 Marsh D14/159
D740,782 S * 10/2015 Thomas D14/159
D763,220 S * 8/2016 Deng D14/159
D860,966 S * 9/2019 Deng D14/159
D878,318 S * 3/2020 Sandberg D14/159
D878,320 S * 3/2020 Sandberg D14/159
D881,833 S * 4/2020 Liu D14/159
D893,444 S * 8/2020 Sandberg D14/159
D900,053 S * 10/2020 Sandberg D14/159
D924,197 S * 7/2021 Wei D14/159

* cited by examiner

Primary Examiner — Austin Murphy

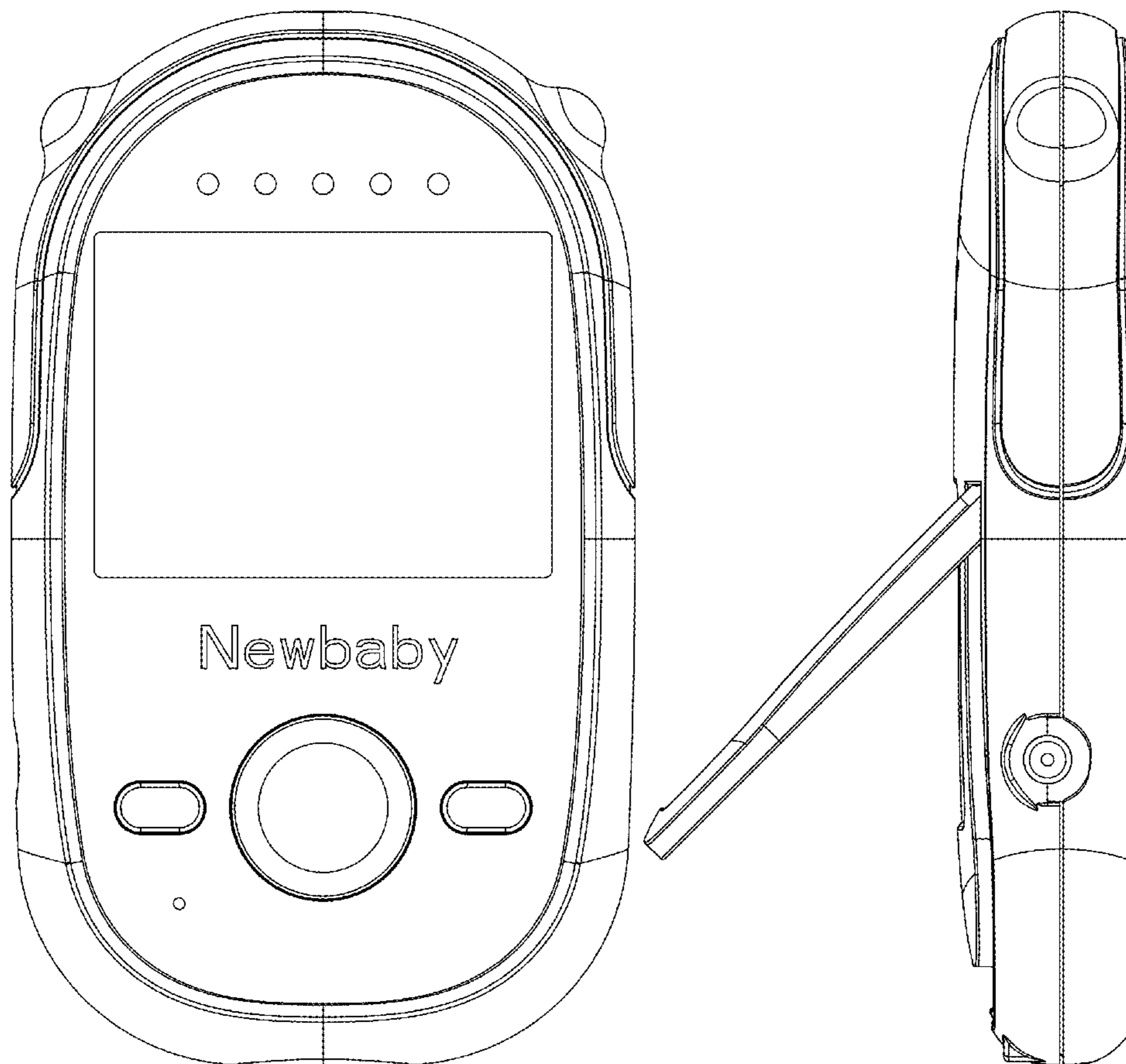
(57) **CLAIM**

The ornamental design for a baby monitor, as shown and described.

DESCRIPTION

FIG. 1 is a perspective view of a baby monitor showing my new design;
FIG. 2 is a front elevational view thereof;
FIG. 3 is a rear elevational view thereof;
FIG. 4 is a left elevational view thereof;
FIG. 5 is a right elevational view thereof;
FIG. 6 is a top plan view thereof; and,
FIG. 7 is a bottom plan view thereof.

1 Claim, 7 Drawing Sheets



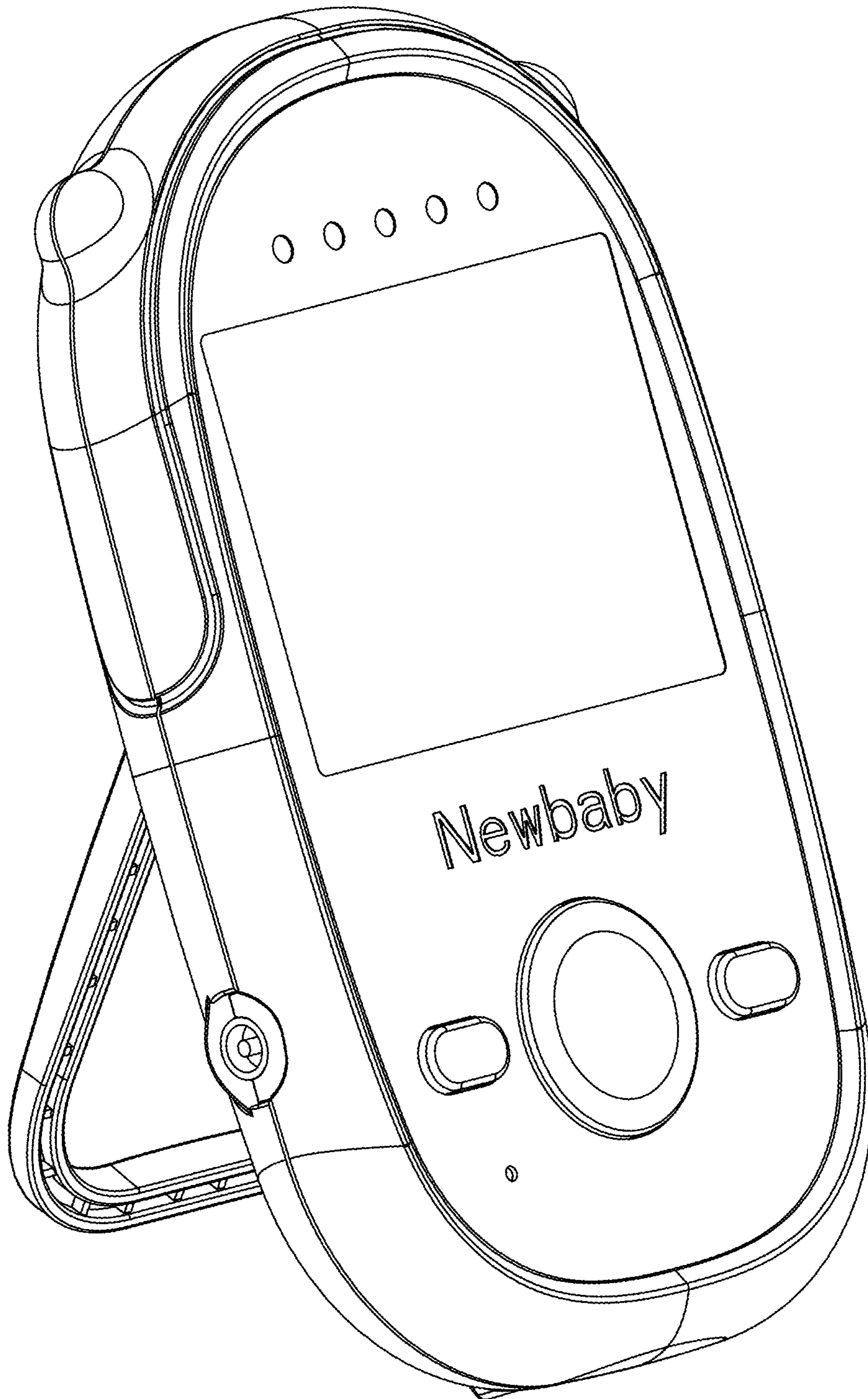


FIG.1



FIG.2

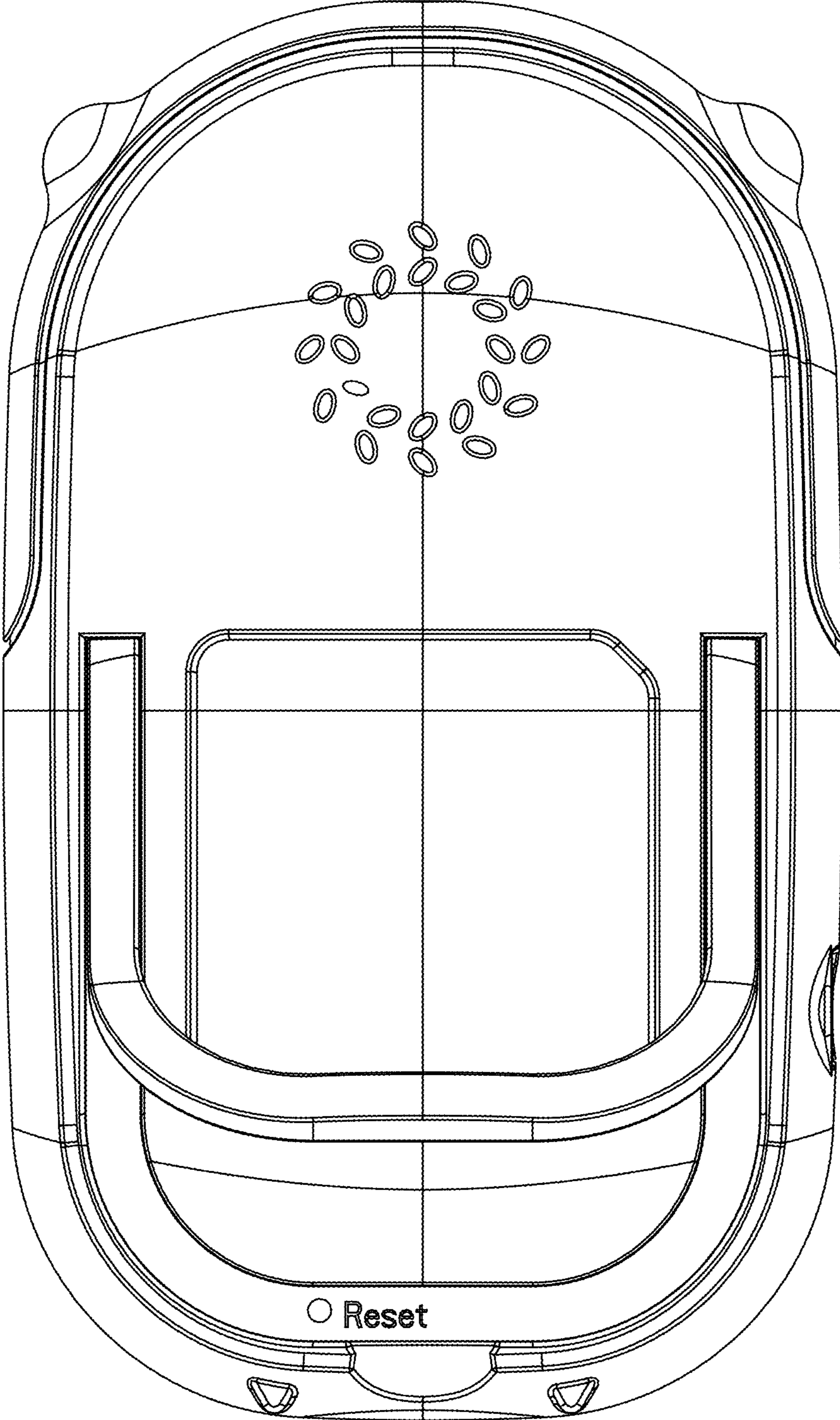


FIG.3

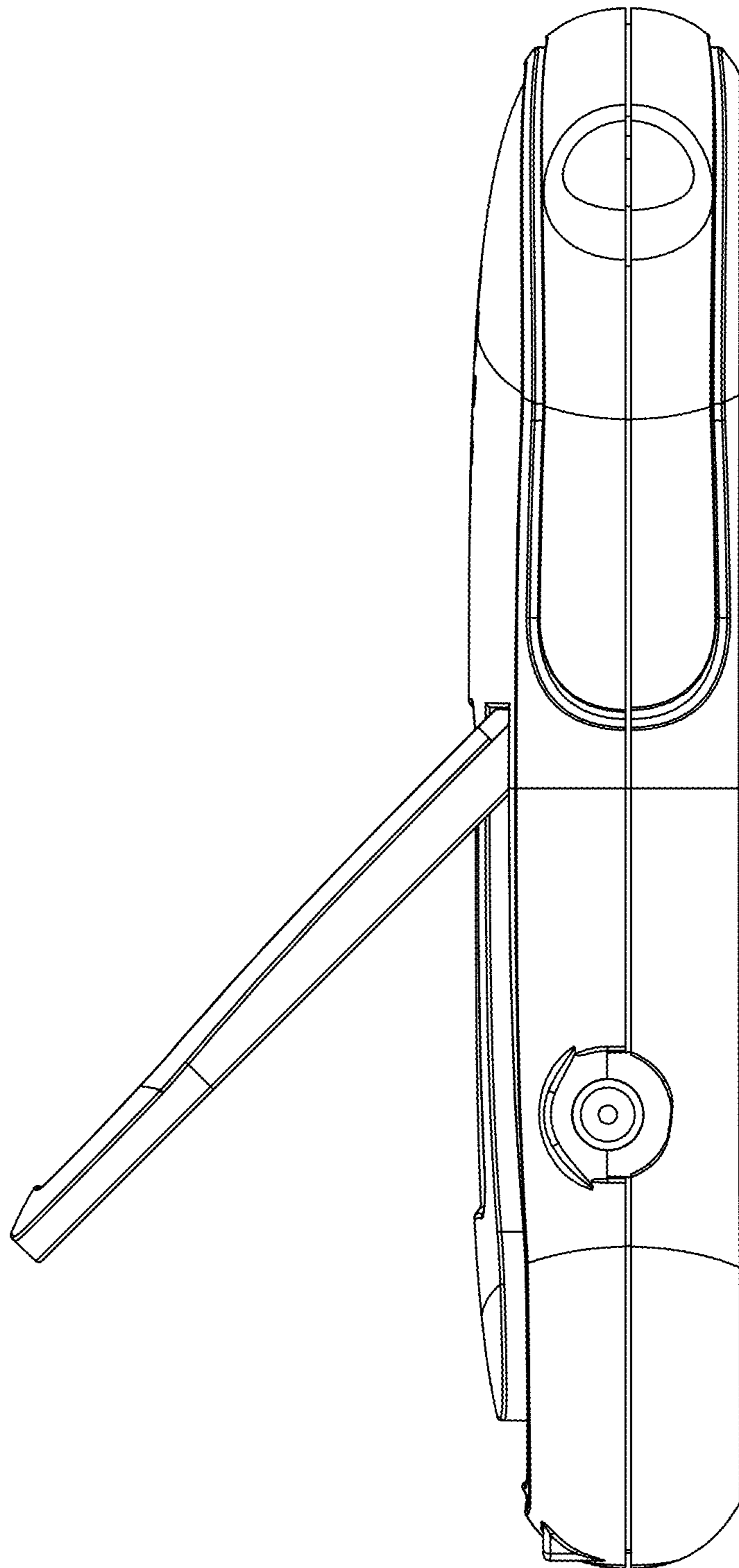


FIG.4

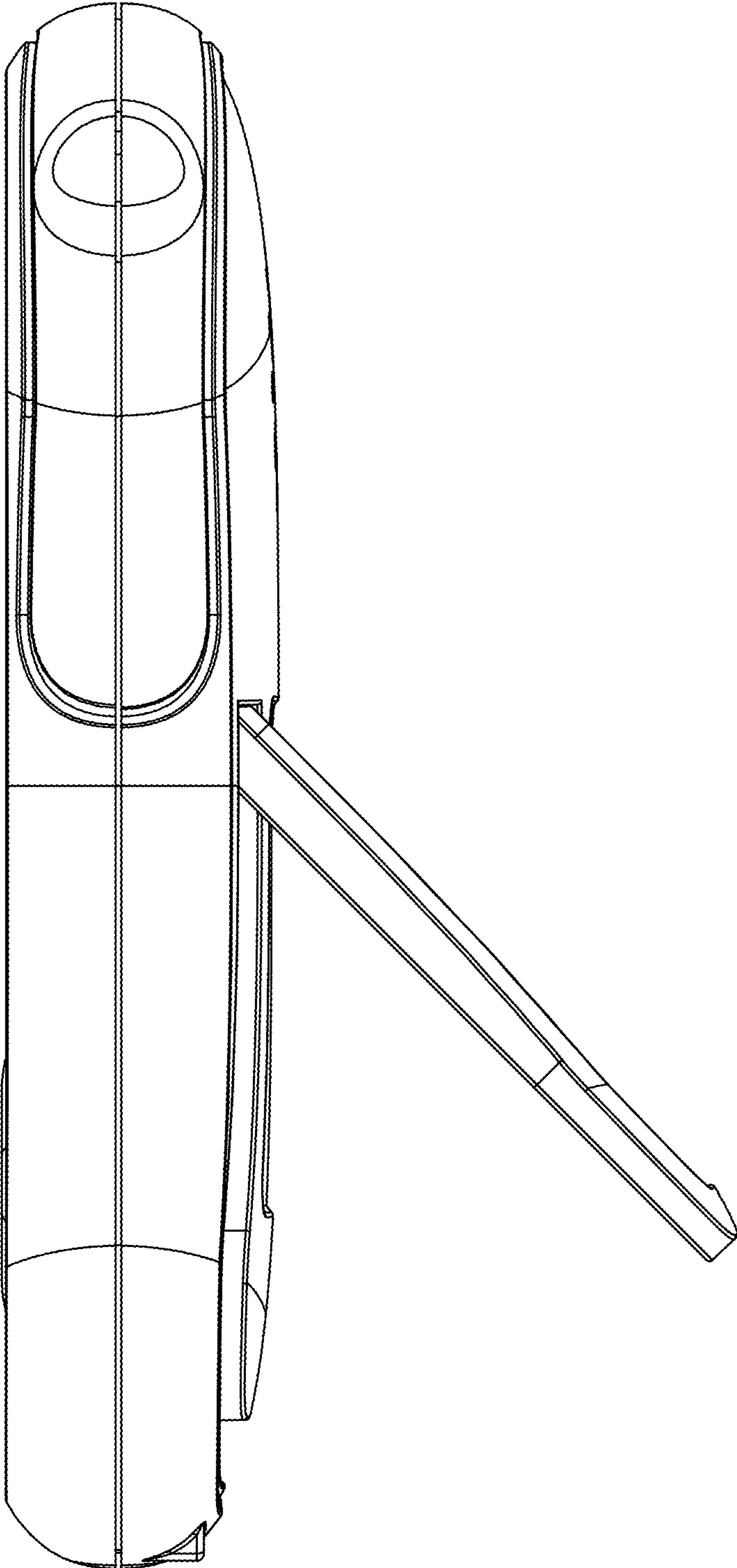


FIG.5

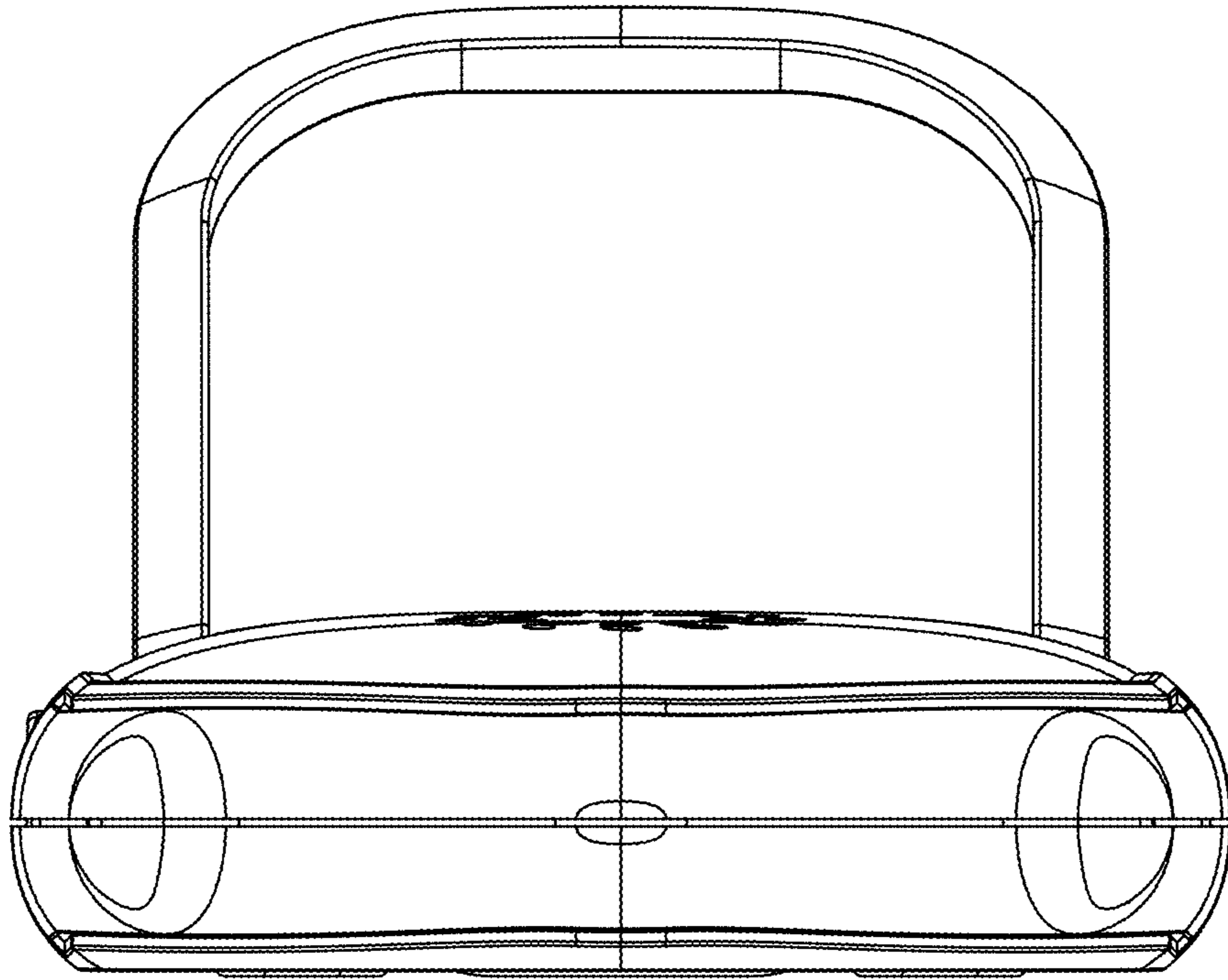


FIG.6

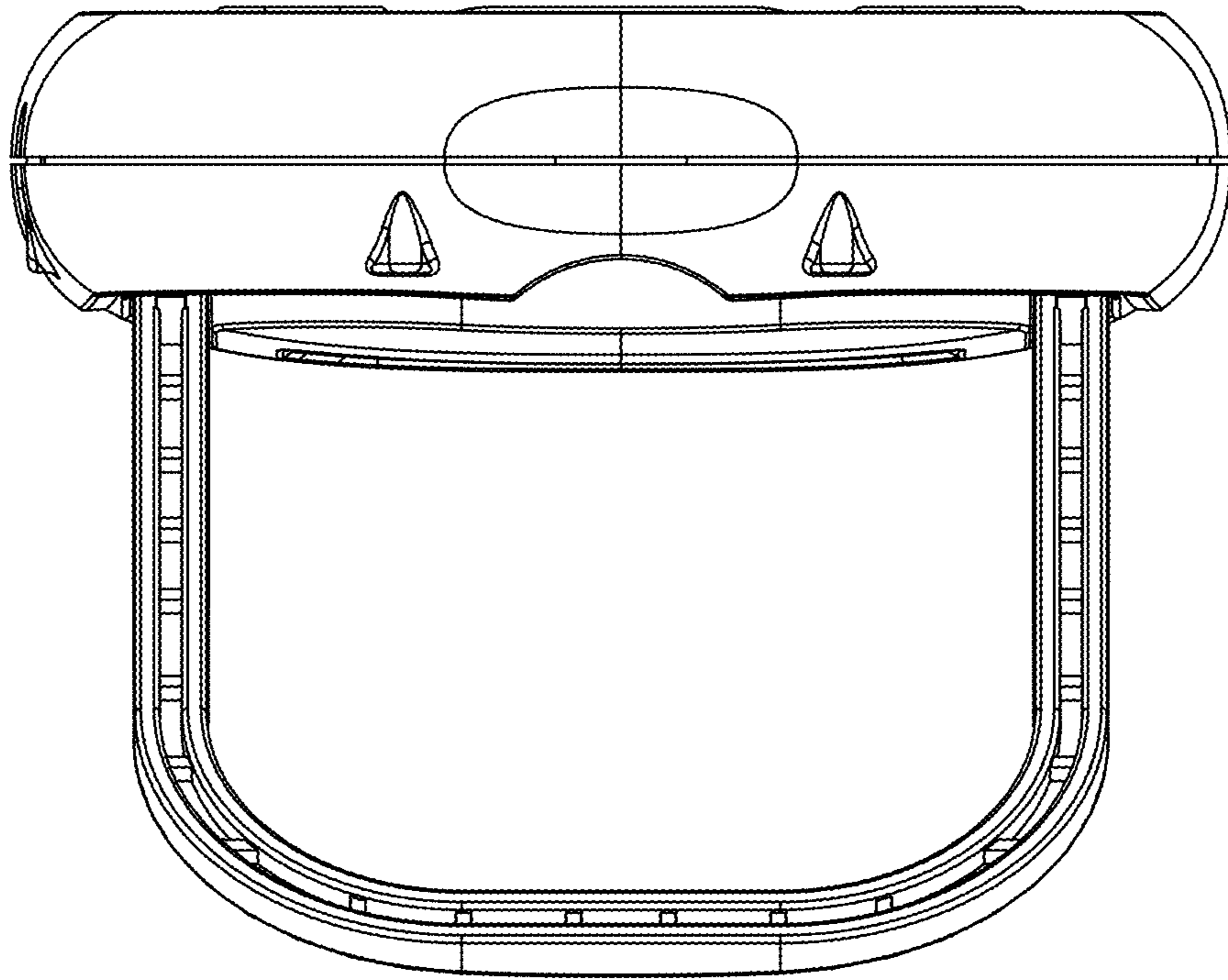


FIG.7