



US00D949816S

(12) **United States Design Patent**
Guo

(10) **Patent No.:** **US D949,816 S**

(45) **Date of Patent:** **** Apr. 26, 2022**

(54) **BABY MONITOR**

(71) Applicant: **Lei Guo**, Shenzhen (CN)

(72) Inventor: **Lei Guo**, Shenzhen (CN)

(**) Term: **15 Years**

(21) Appl. No.: **29/747,801**

(22) Filed: **Aug. 25, 2020**

(51) **LOC (13) Cl.** **14-03**

(52) **U.S. Cl.**

USPC **D14/159**

(58) **Field of Classification Search**

USPC D14/104.1, 137, 138 AA, 138 AB,
D14/138 AC, 138 AD, 138 C, 138 G,
D14/138 R, 154–156, 158–165, 167, 168,
D14/188, 192, 203.5, 247, 253, 338–340,
D14/344, 346, 347, 496; D10/30–39, 65,
D10/70, 75, 76, 78, 97, 98, 103, 104,
D10/104.2, 106, 116, 121; D3/218;
D11/3, 79, 80; D24/167, 186, 193;
D13/173–177; D12/192

CPC . G06F 3/16; G08B 3/00; H04M 11/00; H04N
7/14; H04N 7/26; G08G 1/096775; G08G
1/096872; G08G 1/096883; G01C 21/16;
G01C 21/30; G01C 21/3688; G01V 8/20;
G01J 5/02; G01J 5/08; G01J 5/023; G01J
5/0235; G01J 5/0853; G01J 5/10; G01J
5/20; G01J 5/23–25; G01J 5/33; G01J
5/34

See application file for complete search history.

(56) **References Cited**

U.S. PATENT DOCUMENTS

D514,558 S * 2/2006 Nagel D14/341
D675,584 S * 2/2013 Sharp D14/129

D860,966 S * 9/2019 Deng D14/159
D861,631 S * 10/2019 Gan D14/159
D868,020 S * 11/2019 Deng D14/159
D881,154 S * 4/2020 Guo D14/159
D909,982 S * 2/2021 Kawatake D14/158
D936,029 S * 11/2021 Zhang D14/159
2008/0309765 A1 * 12/2008 Dayan H04N 7/185
348/158

OTHER PUBLICATIONS

“VAVA VAIH006VAVA Video Baby Monitor With Camera 720P”, first available Sep. 17, 2021, amazon.com, [online], [site visited Feb. 8, 2022], Available from internet URL: <https://www.amazon.com/VAVA-VAIH006VAVA-Video-Monitor-Camera/dp/B08J9HS612> (Year: 2021).*

“Simyke Video Baby Monitor . . . ”, first available Mar. 6, 2020, amazon.com, [online], [site visited Feb. 8, 2022], Available from internet URL: <https://www.amazon.com/Simyke-Monitor-Temperature-Monitoring-Function/dp/B085L6647P> (Year: 2020).*

(Continued)

Primary Examiner — Christian P. McLean
Assistant Examiner — Kourosch Taie-Tehrani

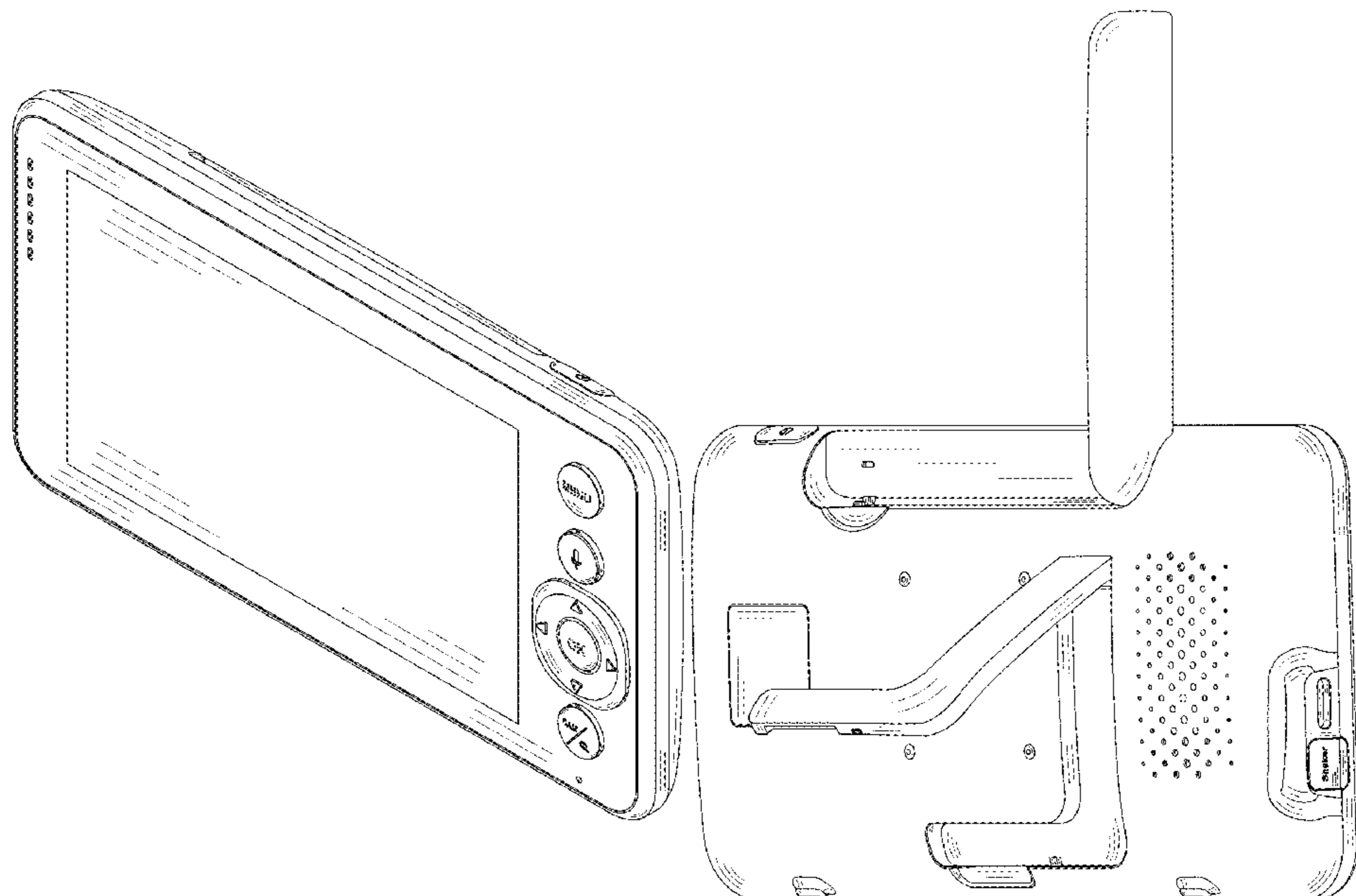
(57) **CLAIM**

I claim the ornamental design for a baby monitor, as shown and described.

DESCRIPTION

FIG. 1 is a front view of the baby monitor;
FIG. 2 is a rear view thereof;
FIG. 3 is a left side view thereof;
FIG. 4 is a right side view thereof;
FIG. 5 is a top view thereof;
FIG. 6 is a bottom view thereof;
FIG. 7 is an isometric view thereof; and,
FIG. 8 is another rear perspective view.

1 Claim, 8 Drawing Sheets



(56)

References Cited

OTHER PUBLICATIONS

“VTimes Video Baby Monitor . . .”, first available Aug. 27, 2021, amazon.com, [online], [site visited Feb. 8, 2022], Available from internet URL: <https://www.amazon.com/VTimes-Monitor-Two-Way-Infrared-Lullaby/dp/B09DSYGYZQ> (Year: 2021).*

“Baby Monitor, KAWA Baby Monitor with Camera and Audio . . .”, first available Jul. 21, 2021, amazon.com, [online], [site visited Feb. 8, 2022], Available from internet URL: <https://www.amazon.com/Monitor-KAWA-Display-Temperature-Battery/dp/B09B129Z3Y> (Year: 2021).*

“Video Baby Monitor, eufy Security . . .”, Date not available, amazon.com, [online], [site visited Feb. 8, 2022], Available from internet URL: <https://www.amazon.com/eufy-SpaceView-Pioneering-Generation-Wide-Angle/dp/B07GBP3GH9> (Year: NA).*

* cited by examiner

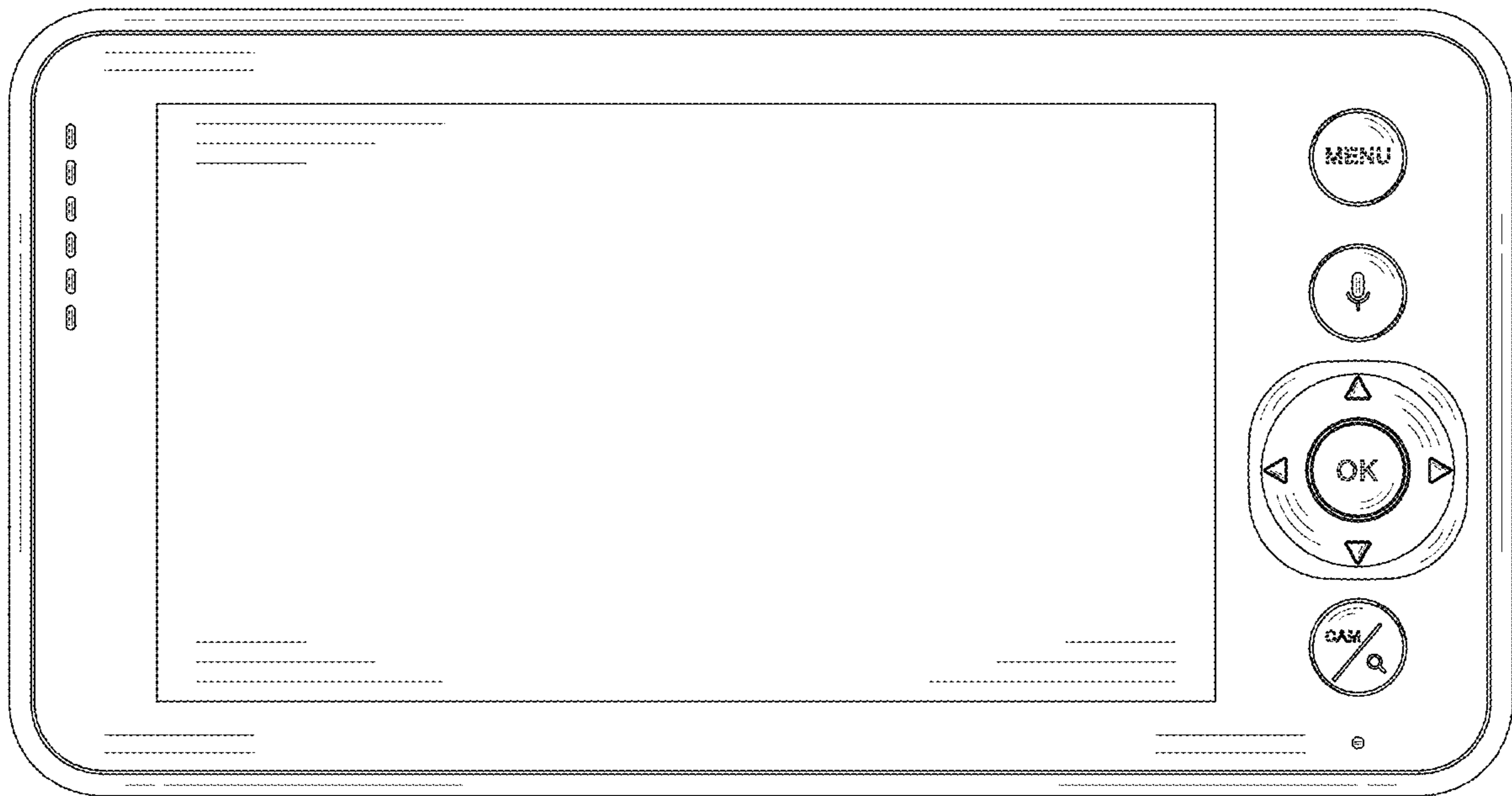


FIG. 1

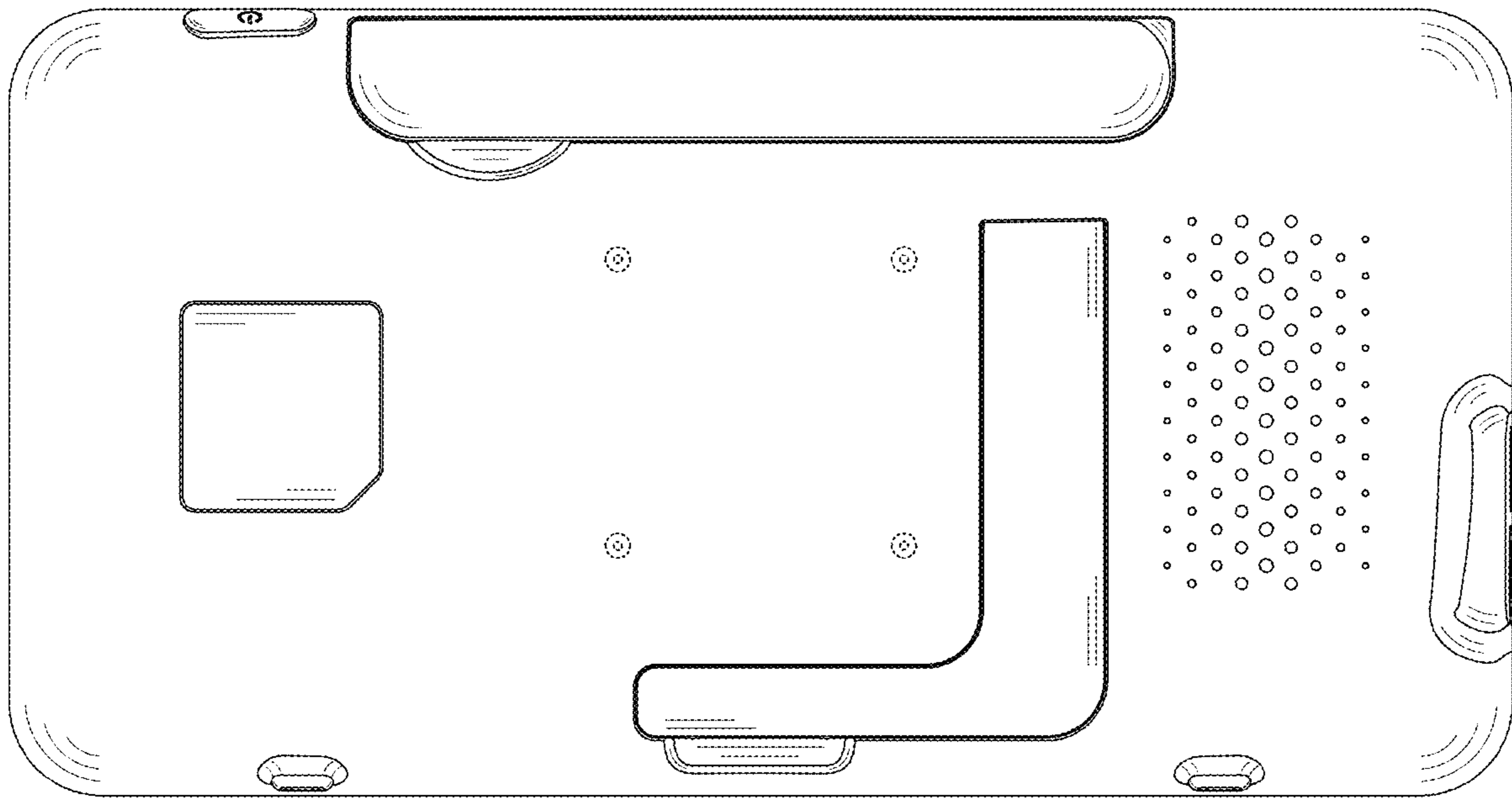


FIG. 2

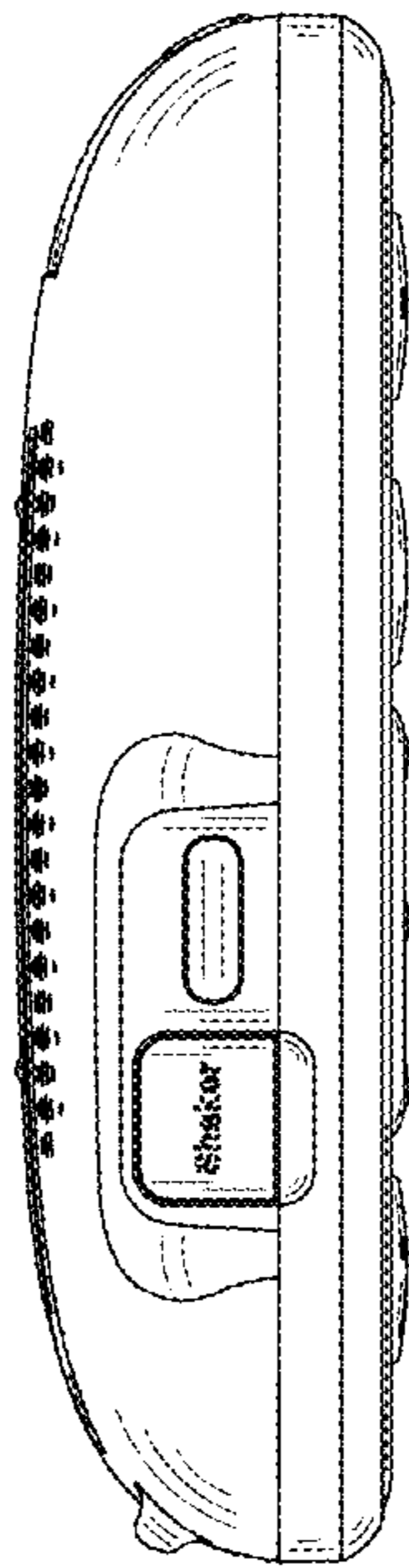


FIG. 3

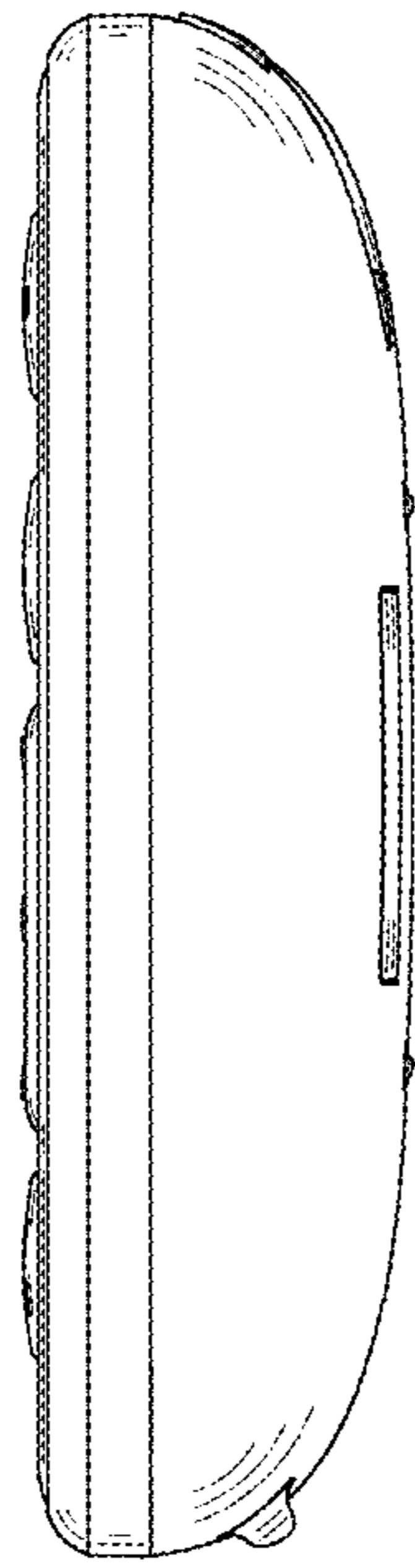


FIG. 4

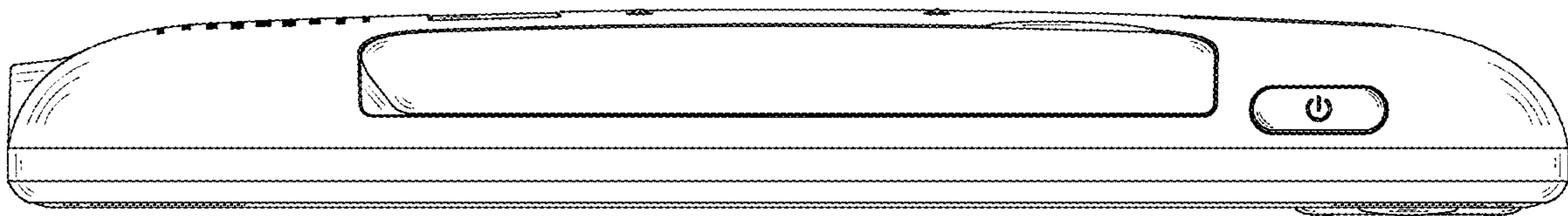


FIG. 5

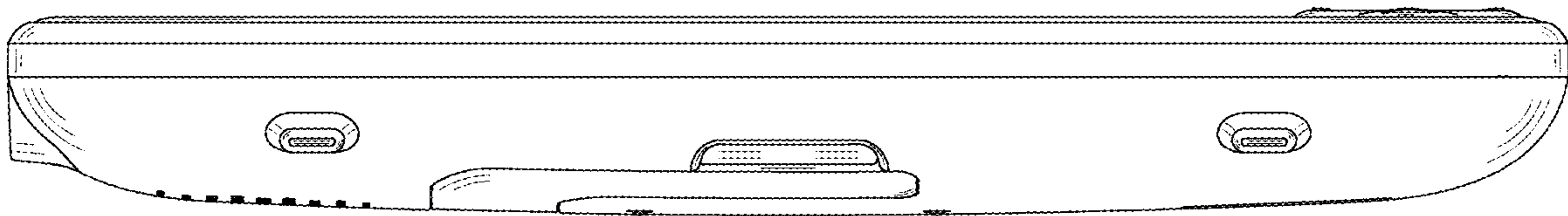


FIG. 6

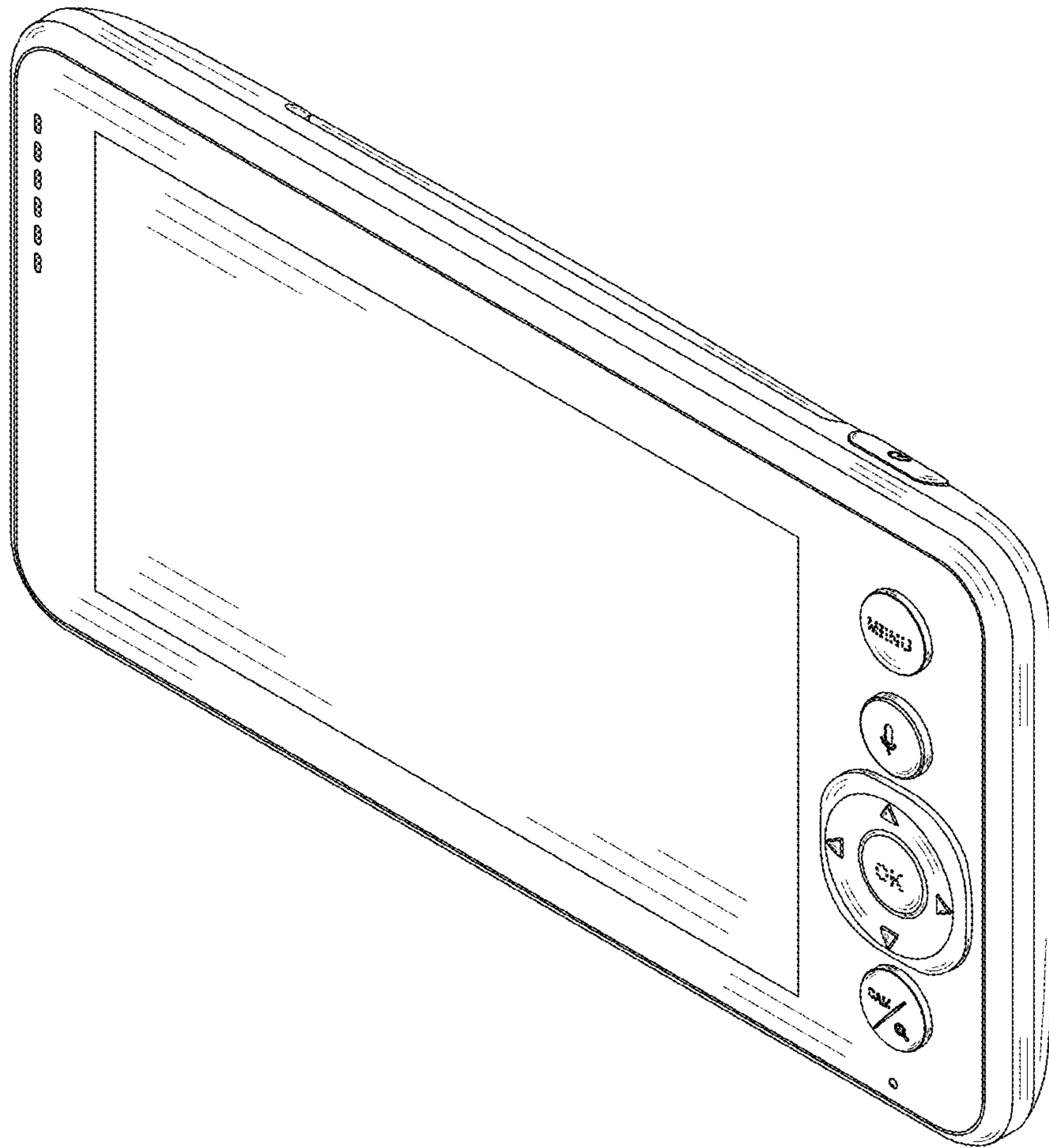


FIG. 7

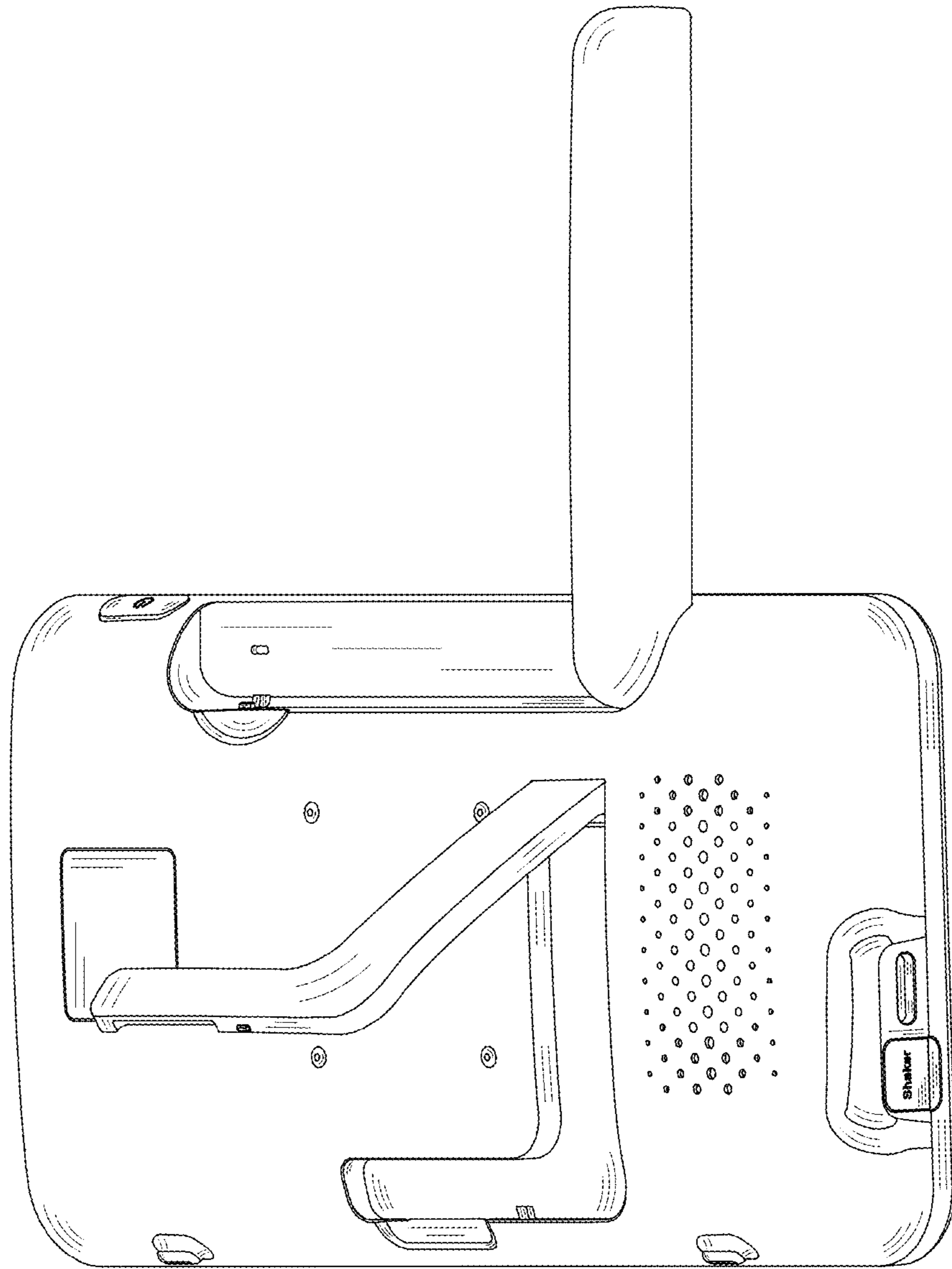


FIG. 8