



US00D949814S

(12) **United States Design Patent**
Wan

(10) **Patent No.:** **US D949,814 S**

(45) **Date of Patent:** **** Apr. 26, 2022**

(54) **TRANSMITTER FOR WIRELESS MICROPHONE**

D503,642 S * 4/2005 Hutchison D10/78
D504,691 S * 5/2005 Ohno D14/496
D508,029 S * 8/2005 Lee D14/138 AB

(Continued)

(71) Applicant: **Shenzhen Dingchuang Smart Manufacturing Company Limited**,
Shenzhen (CN)

FOREIGN PATENT DOCUMENTS

(72) Inventor: **Liang Wan**, Hanzhong (CN)

CN 3486331 * 11/2005
CN 302072001 * 9/2012
CN 306746123 * 8/2021

(73) Assignee: **Shenzhen Dingchuang Smart Manufacturing Company Limited**,
Guangdong (GN)

OTHER PUBLICATIONS

(**) Term: **15 Years**

Movo Wireless Lavalier Microphone System with 1 Receiver, 2 Transmitters, available on Amazon.com, date first available Dec. 4, 2019 [online], [site visited Nov. 19, 2021], Available from the internet URL: https://www.amazon.com/dp/B082BG6QHJ/ref=cm_sw_em_r_mt_dp_YQ89XSBQ9XH37EGJHNDW (Year: 2019).*

(Continued)

(21) Appl. No.: **29/731,006**

(22) Filed: **Apr. 10, 2020**

(51) **LOC (13) Cl.** **14-03**

Primary Examiner — Wendy L Arminio

(52) **U.S. Cl.**

Assistant Examiner — Carrie S Gelula

USPC **D14/137**; D14/192

(74) *Attorney, Agent, or Firm* — ScienBiziP, P.C.

(58) **Field of Classification Search**

(57)

CLAIM

USPC D14/137, 420, 496, 218, 147, 155, 159, D14/226, 191, 203.3, 203.7, 203.1, 203.5, D14/188, 192, 194–198, 214, 219, 221, D14/172; D13/168; D30/199; D6/313, D6/325; D10/104.1, 104.2, 106.1, 65, 78
CPC H04B 2001/3861; H04B 1/3827; H04B 1/3833; H04M 1/233; G08B 21/0202
See application file for complete search history.

The ornamental design for a transmitter for wireless microphone, as shown and described.

DESCRIPTION

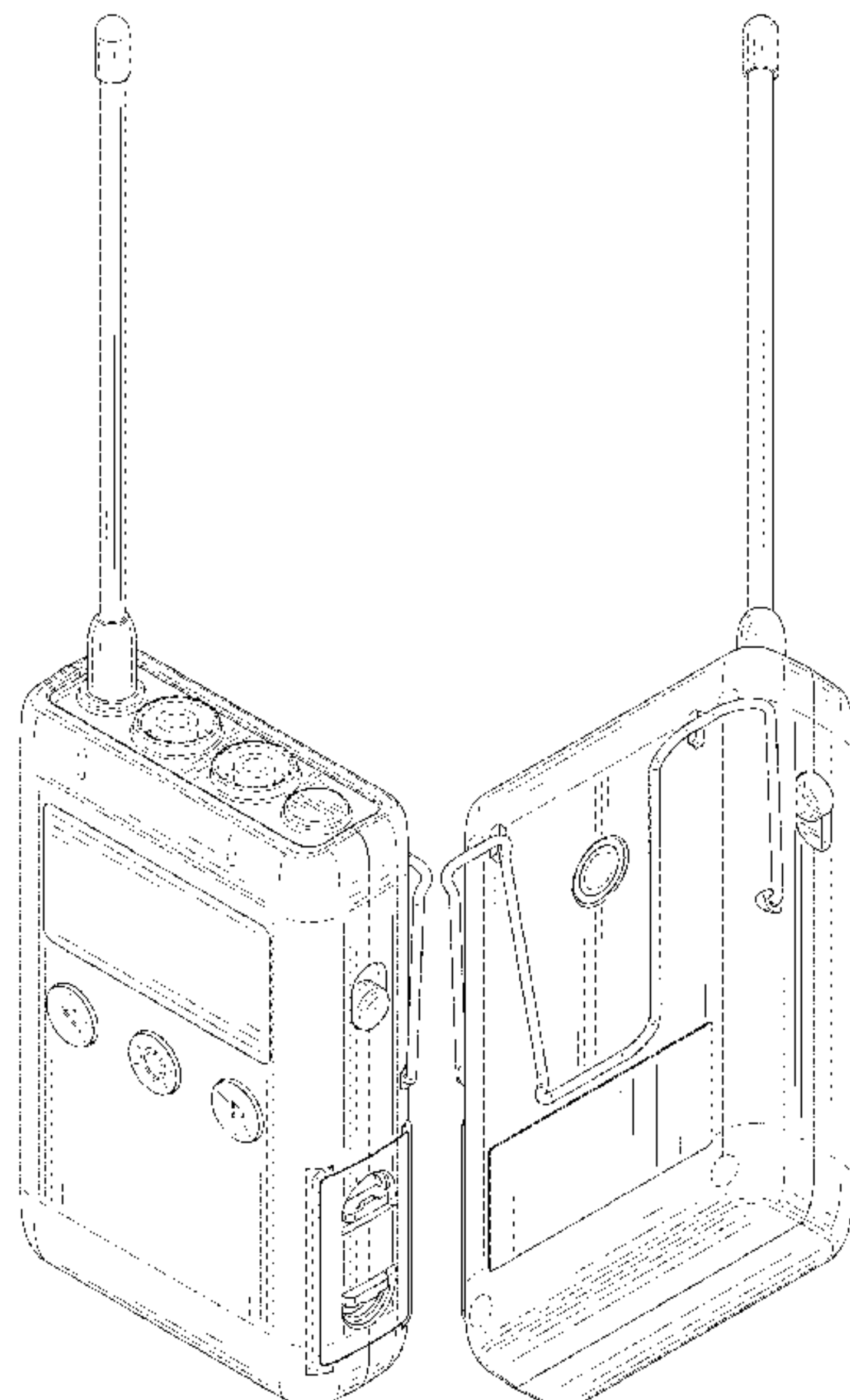
(56) **References Cited**

U.S. PATENT DOCUMENTS

D292,585 S * 11/1987 Gottlieb D14/155
D342,494 S * 12/1993 Shigemura D14/126
D388,005 S * 12/1997 Henderson D10/104.1
D441,744 S * 5/2001 Miyazaki D14/137
D451,896 S * 12/2001 Kim D14/137
D496,346 S * 9/2004 Fuss D14/188

FIG. 1 is a top, front, right side perspective view of a transmitter for wireless microphone, showing my design. FIG. 2 is a bottom, rear, left side perspective view thereof. FIG. 3 is a front elevation view thereof. FIG. 4 is a rear elevation view thereof. FIG. 5 is a left side elevation view thereof. FIG. 6 is a right side elevation view thereof. FIG. 7 is a top plan view thereof; and, FIG. 8 is a bottom plan view thereof. The broken lines shown in the drawings are included for the purpose of illustrating portions of the transmitter for wireless microphone that form no part of the claimed design.

1 Claim, 8 Drawing Sheets



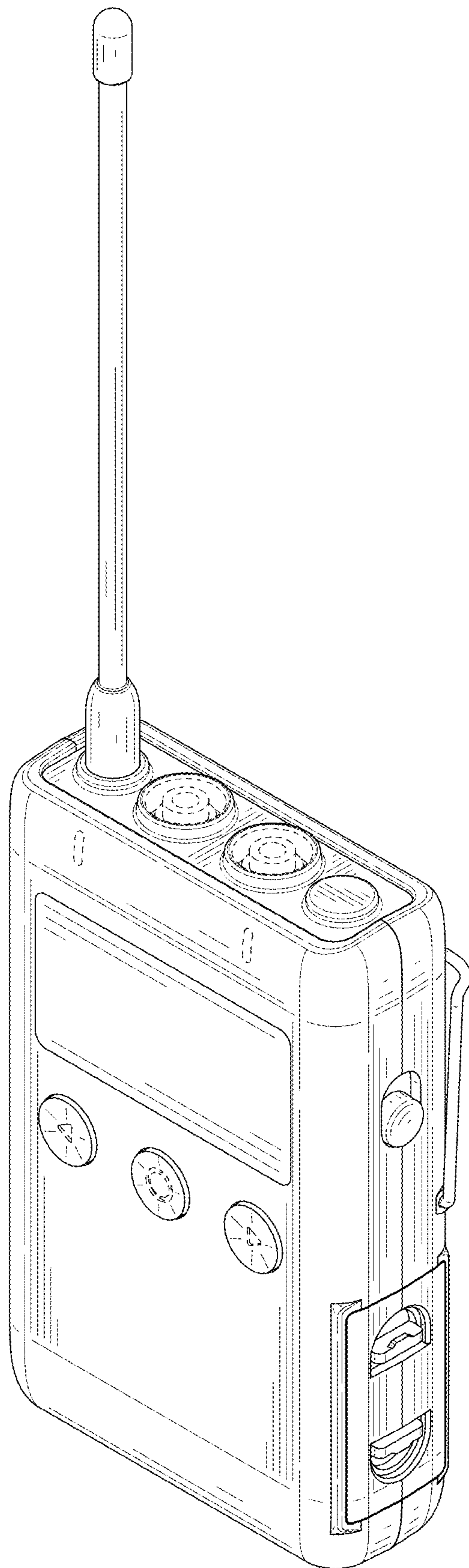


FIG. 1

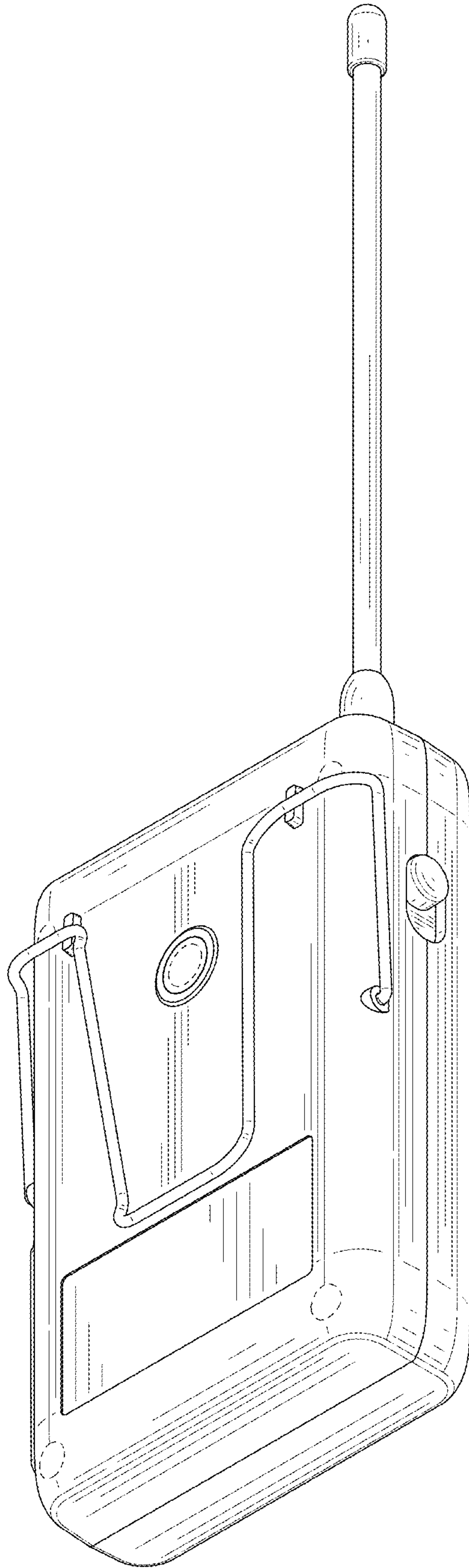


FIG. 2

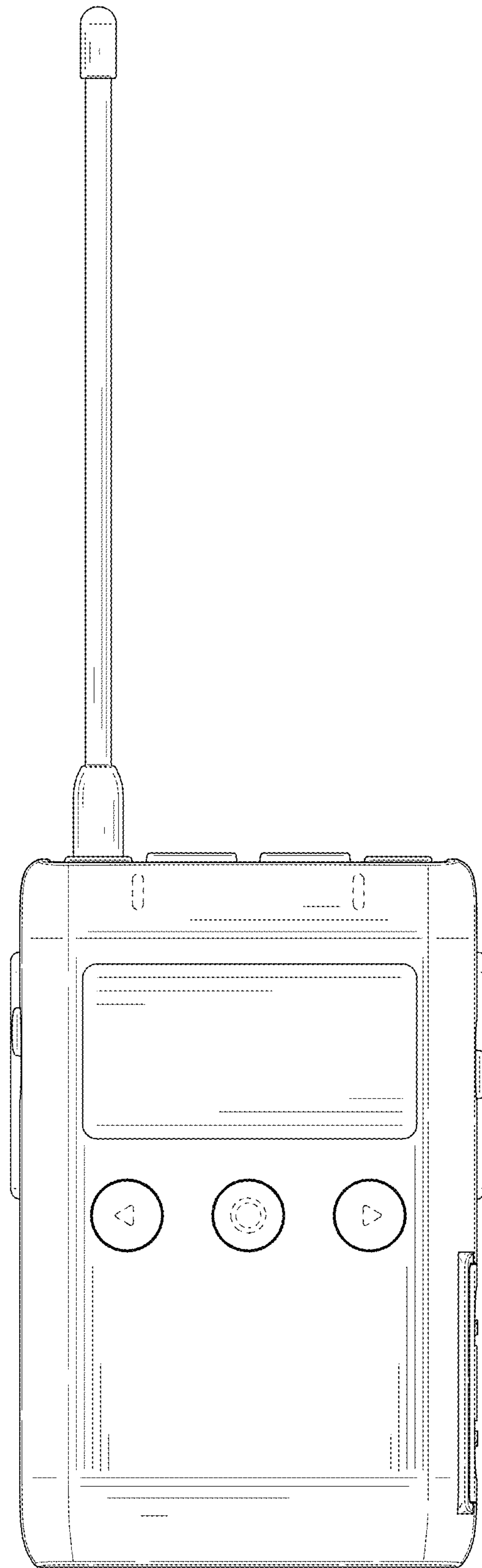


FIG. 3

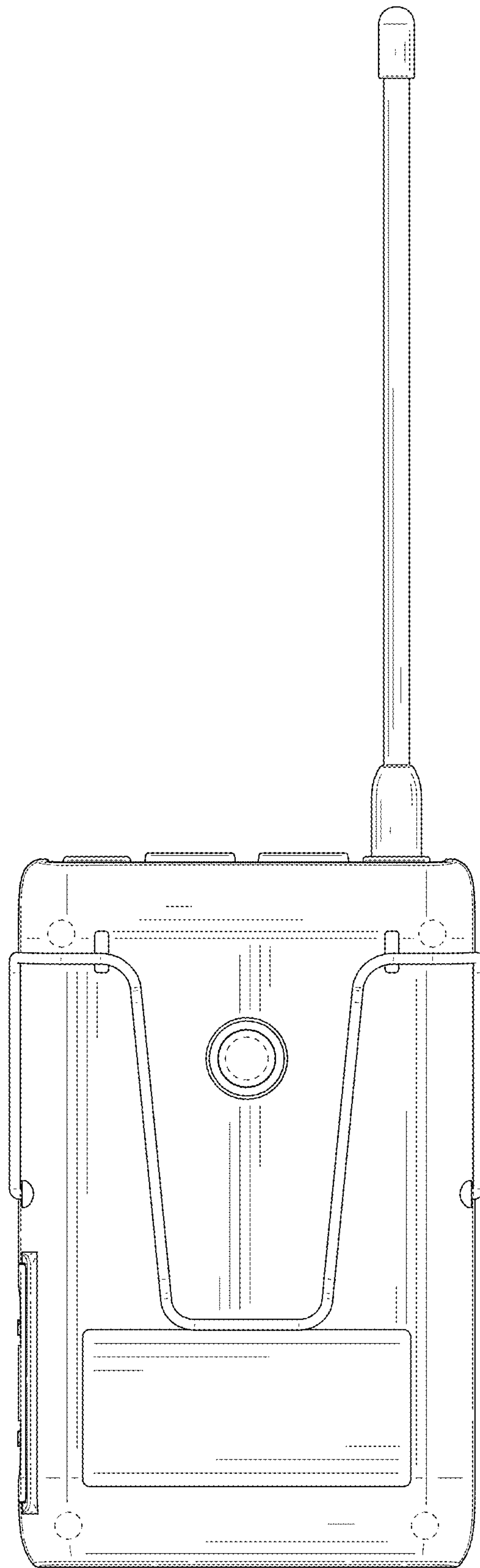


FIG. 4

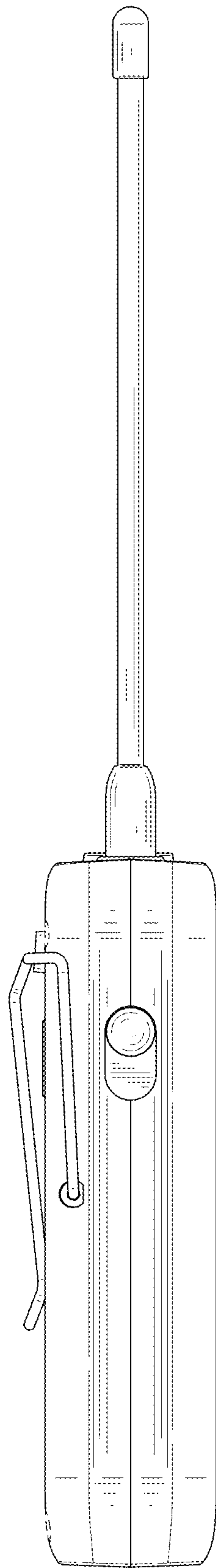


FIG. 5

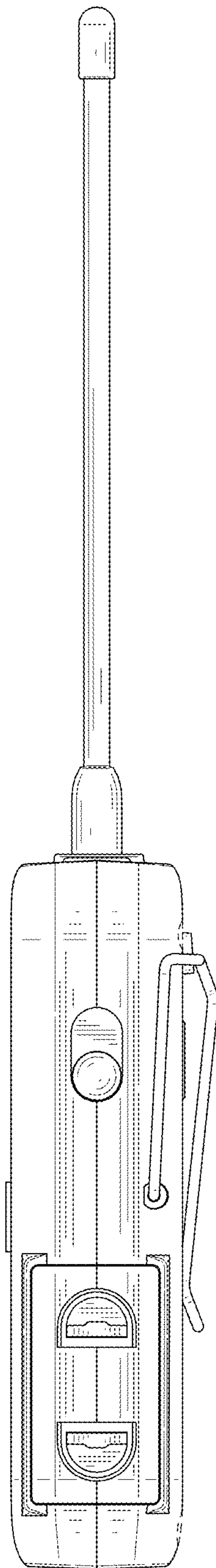


FIG. 6

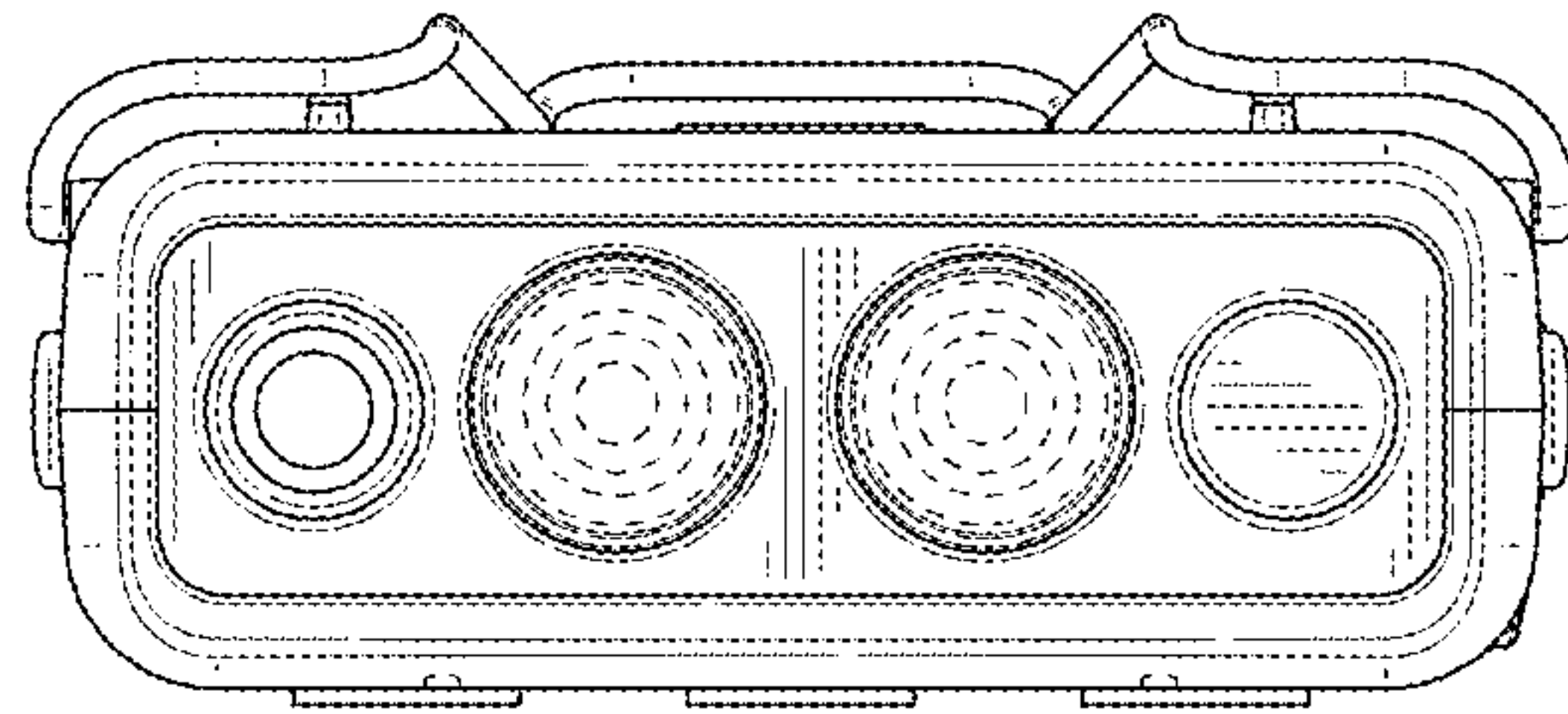


FIG. 7

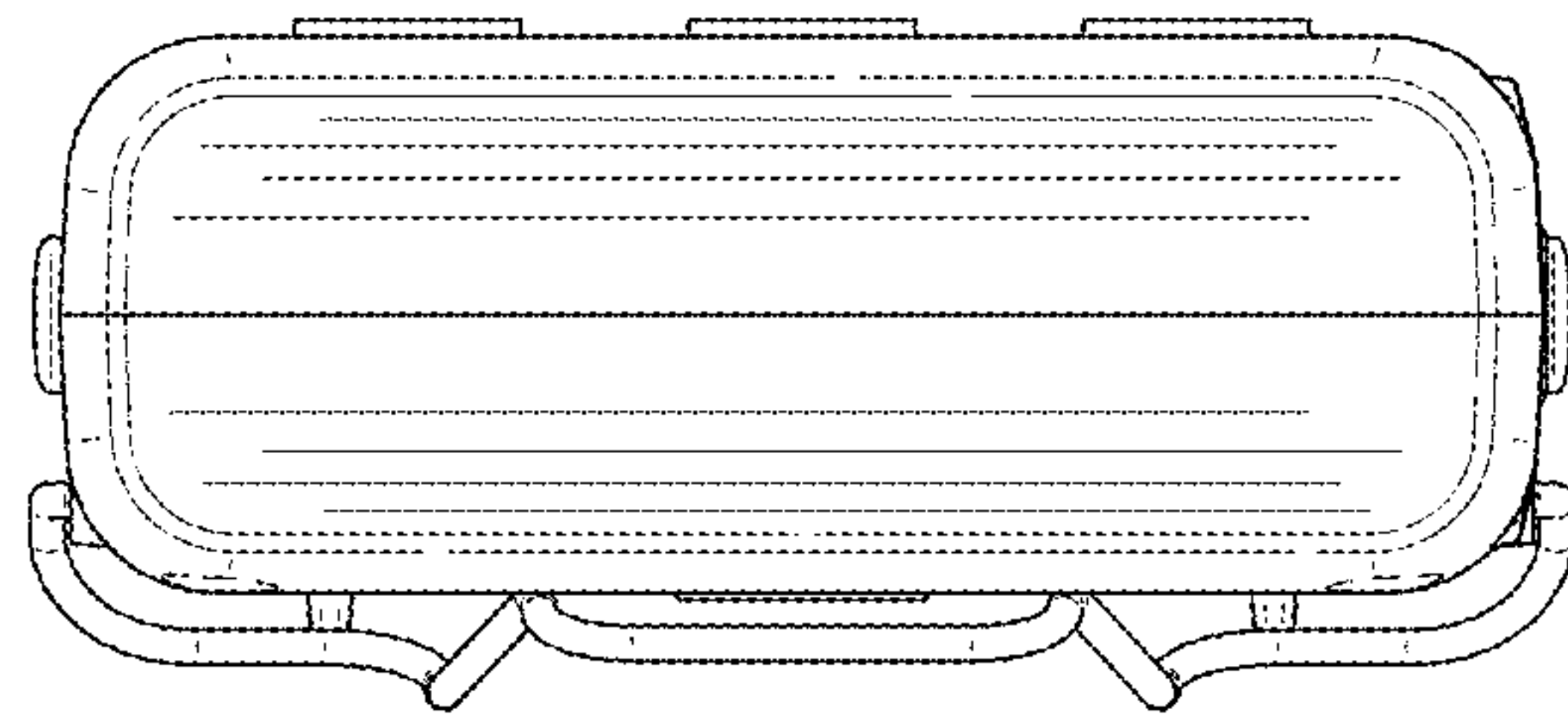


FIG. 8