



US00D949813S

(12) **United States Design Patent** (10) **Patent No.:** **US D949,813 S**
Høy-Petersen (45) **Date of Patent:** **** *Apr. 26, 2022**

(54) **VIDEOTELEPHONY APPARATUS**
(71) Applicant: **NEATFRAME LIMITED**, Uxbridge (GB)
(72) Inventor: **Markus Høy-Petersen**, Uxbridge (GB)
(73) Assignee: **Neatframe Limited**, Uxbridge (GB)
(*) Notice: This patent is subject to a terminal disclaimer.
(**) Term: **15 Years**
(21) Appl. No.: **29/730,571**
(22) Filed: **Apr. 6, 2020**

(30) **Foreign Application Priority Data**
Oct. 7, 2019 (EM) 006986733-0001
(51) **LOC (13) Cl.** **14-03**
(52) **U.S. Cl.**
USPC **D14/130**
(58) **Field of Classification Search**
USPC D14/125-137, 144, 341, 358, 300, D14/209-219, 167-168, 170-172, 188, D14/199, 194-196, 204, 221-222, 224, D14/496, 265, 385, 239, 140, 125-137, D14/432-434, 209-217; D21/516, 513, D21/324, 329, 332; D24/186; D10/104.4, 50, 65, 74
CPC H04R 1/025; H04R 1/26; H04R 1/2853; H04R 1/2869; H04R 1/345; H04R 1/403; G02B 2027/014; G02B 2027/0178; G02B 2027/0187; G02B 27/017; G06F 3/147
See application file for complete search history.

(56) **References Cited**
U.S. PATENT DOCUMENTS
D623,621 S * 9/2010 Roed D14/127
D654,449 S * 2/2012 Chastain D14/126

D718,260 S * 11/2014 Mellingen D14/126
D718,264 S * 11/2014 Park D14/126
D718,730 S * 12/2014 Andresen D14/126
D731,994 S * 6/2015 Won D14/126
D732,496 S * 6/2015 Mellingen D14/126
D739,364 S * 9/2015 Mellingen D14/126
D792,362 S * 7/2017 Maxwell D14/130
D797,736 S * 9/2017 Chu D14/374
D816,673 S * 5/2018 Lim D14/374
(Continued)

OTHER PUBLICATIONS

Neat Board , neat.no, [online], [site visited Mar. 5, 2021], Available from internet URL: <https://neat.no/board/> (Year: 2021).*
(Continued)

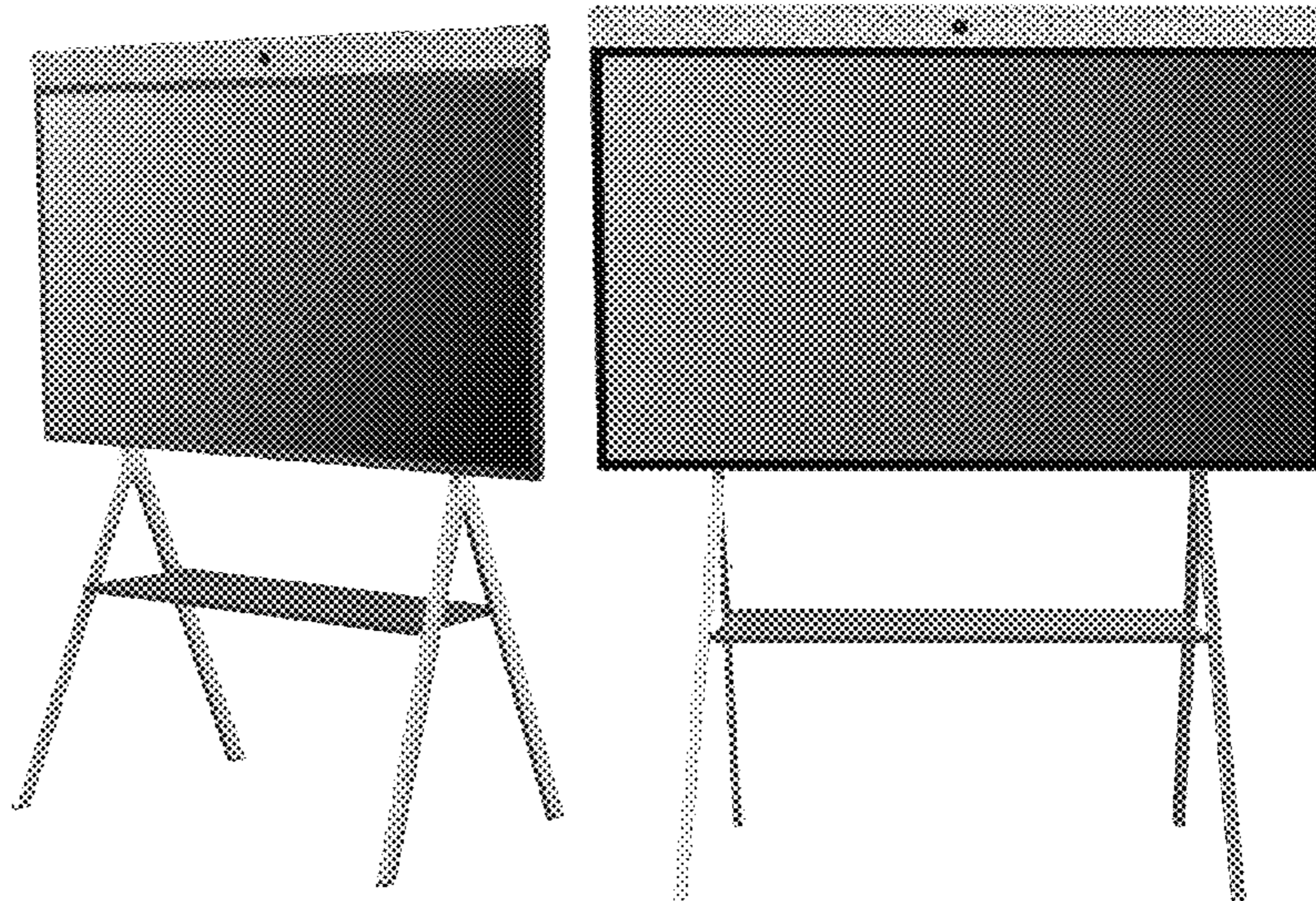
Primary Examiner — Samantha Q Lawrence
Assistant Examiner — Holly M Rodriguez
(74) *Attorney, Agent, or Firm* — Wolf, Greenfield & Sacks, P.C.

(57) **CLAIM**
The ornamental design for a videotelephony apparatus, as shown and described.

DESCRIPTION

The patent file contains at least one drawing executed in color. Copies of this patent with color drawings will be provided by the office upon request and payment of the necessary fee.
FIG. 1 is a front perspective view of a videotelephony apparatus showing my new design;
FIG. 2 is a front elevation view thereof;
FIG. 3 is a rear elevation view thereof;
FIG. 4 is a left side elevation view thereof;
FIG. 5 is a right side elevation view thereof;
FIG. 6 is a top plan view thereof; and,
FIG. 7 is a bottom plan view thereof.

1 Claim, 7 Drawing Sheets
(2 of 7 Drawing Sheet(s) Filed in Color)



(56)

References Cited

U.S. PATENT DOCUMENTS

D817,329 S	*	5/2018	Chu	D14/374
D836,581 S	*	12/2018	Andresen	D14/126
D837,172 S	*	1/2019	Haugen	D14/126
D837,173 S	*	1/2019	Lyngra	D14/126
D848,968 S	*	5/2019	Kim	D14/126
D905,651 S	*	12/2020	Lee	D14/126
D907,595 S	*	1/2021	Duys	D14/125
D907,685 S	*	1/2021	Skinner	D16/237
D909,368 S	*	2/2021	Seo	D14/336
D909,474 S	*	2/2021	Lee	D19/114

OTHER PUBLICATIONS

FSurface Hub 2S, kvmswitches.co.in, [online], [site visited Mar. 5, 2021], Available from internet URL: <https://www.kvmswitches.co.in/interactive-display-whiteboard/microsoft-surface-hub-2s.html> (Year: 2021).*

Flip WM55H White Board, kvmswitches.co.in, [online], [site visited Mar. 5, 2021], Available from internet URL: <https://www.kvmswitches.co.in/interactive-display-whiteboard/samsung-flip-wm55h-white-board.html> (Year: 2021).*

Huawei Telepresence Endpoints, huawei.com, [online], [site visited Mar. 5, 2021], Available from internet URL: <https://e.huawei.com/en/solutions/enterprise-collaboration/video-conferencing> (Year: 2021).*

* cited by examiner

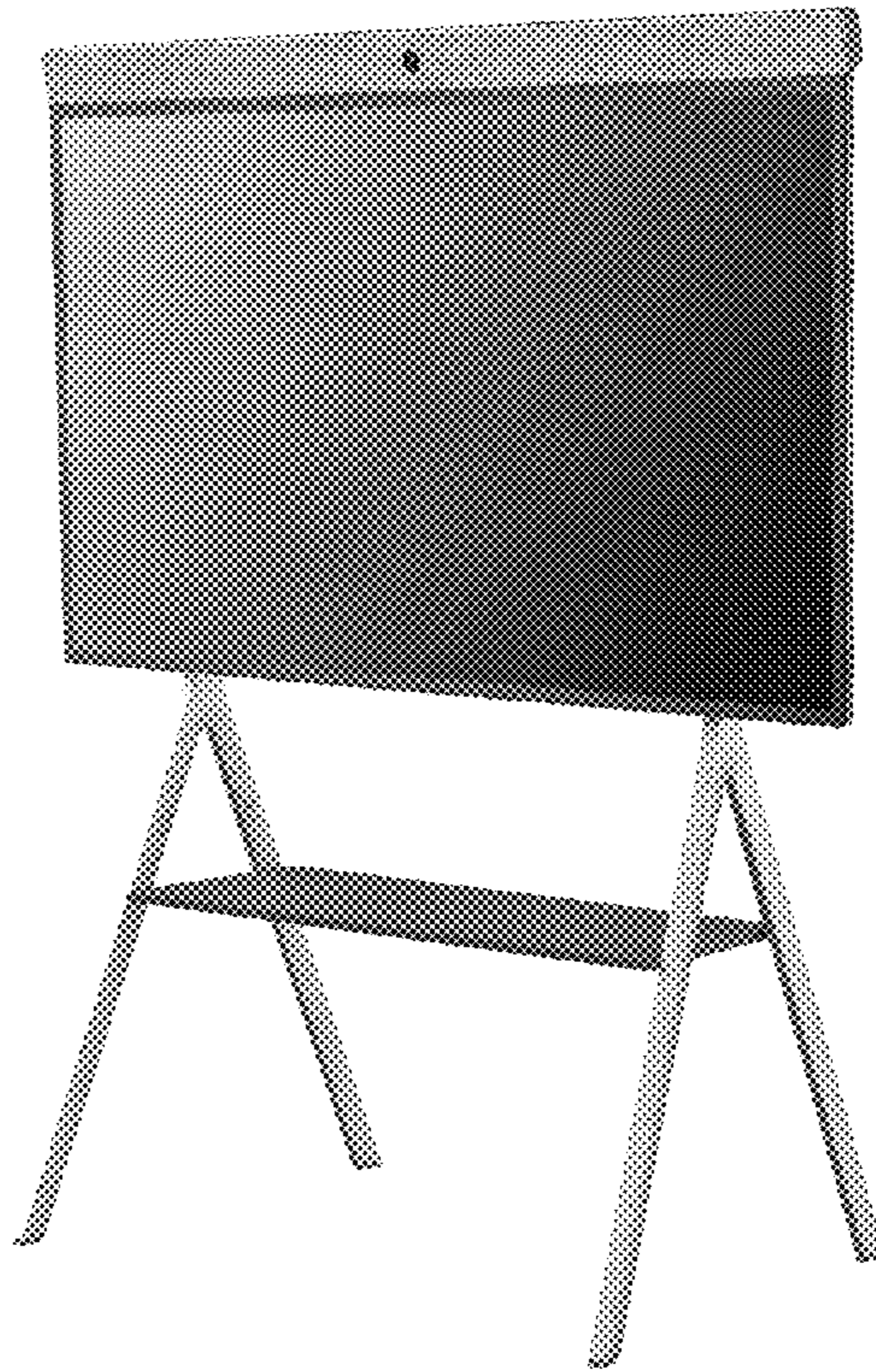


FIG. 1

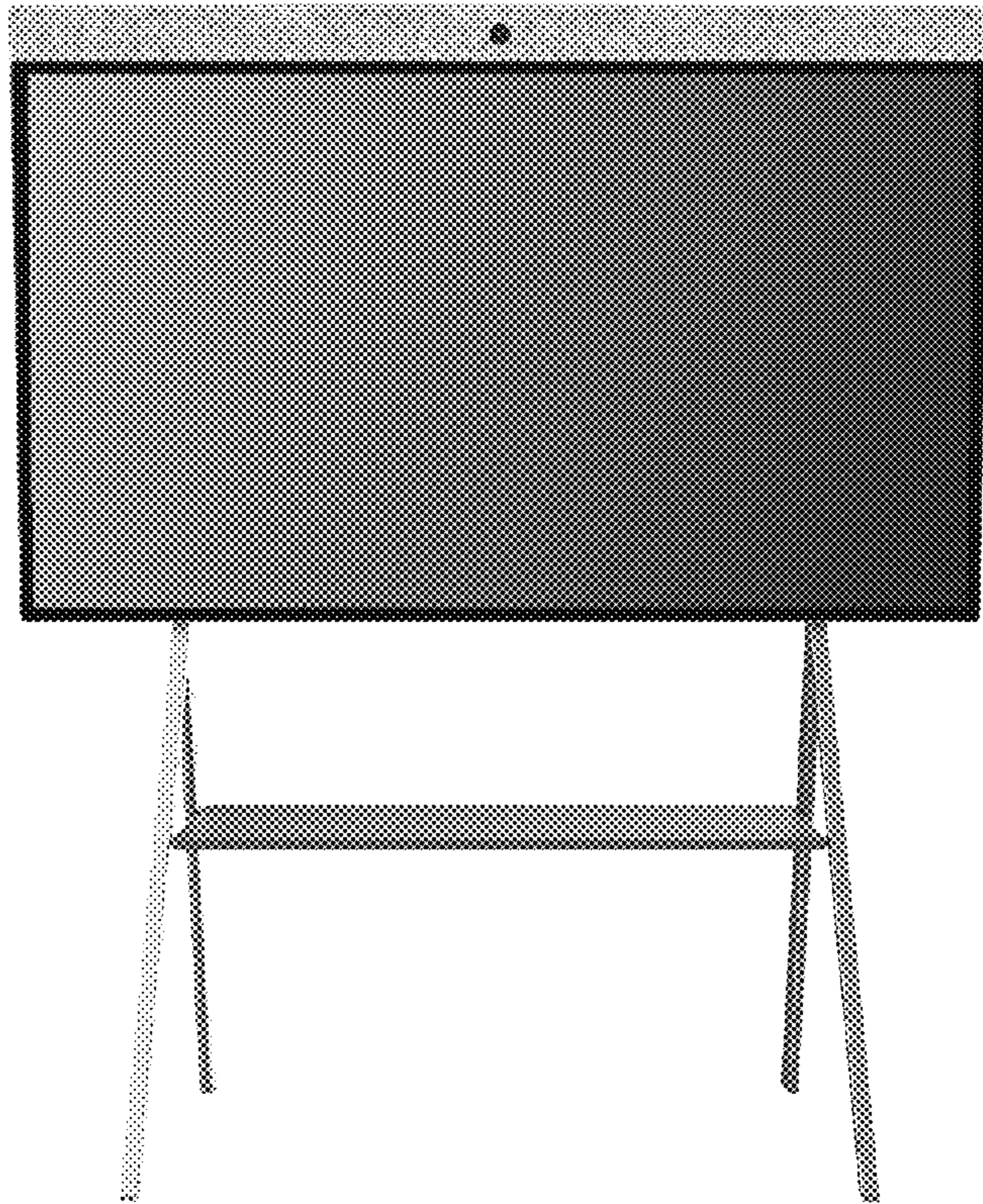


FIG. 2

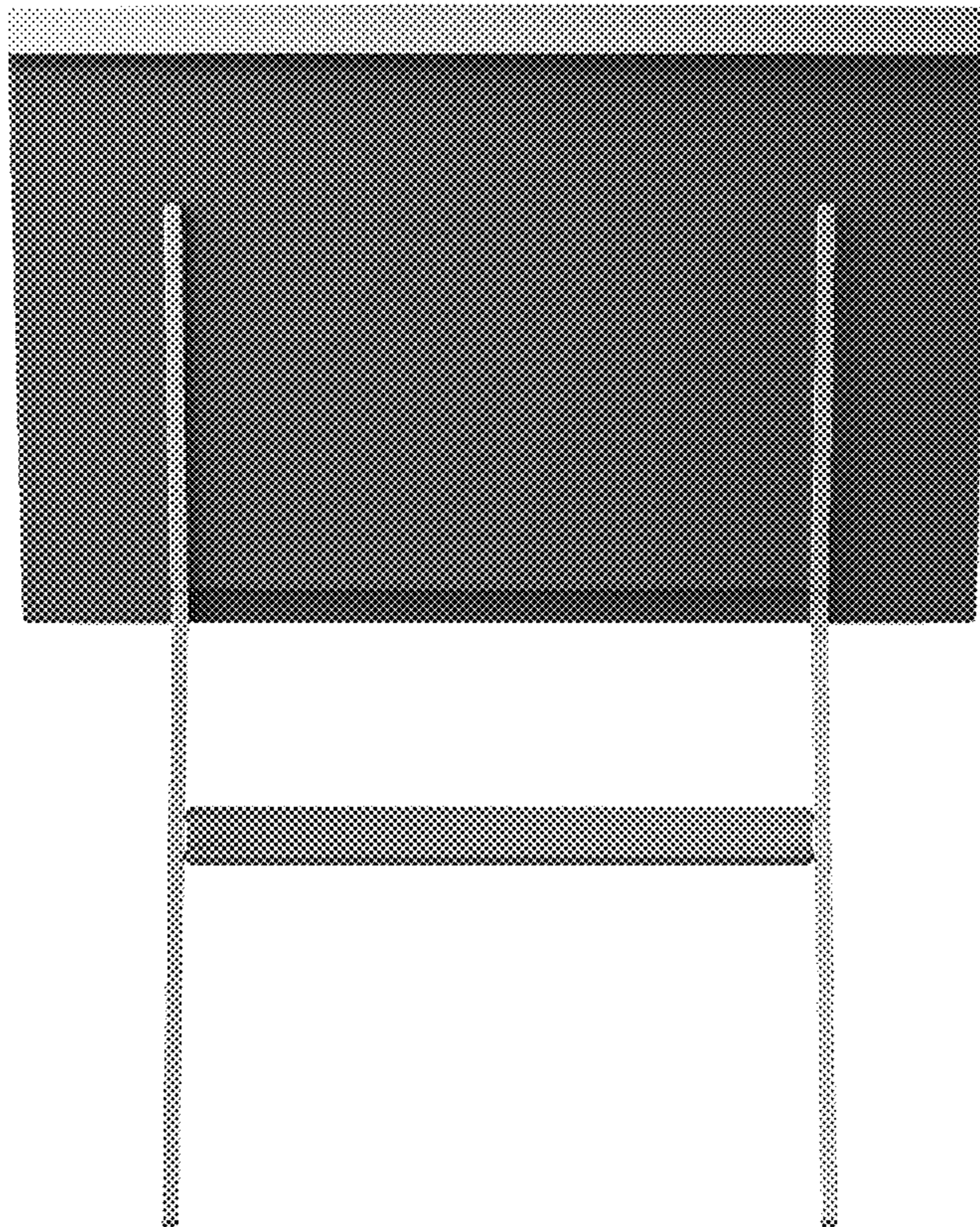


FIG. 3

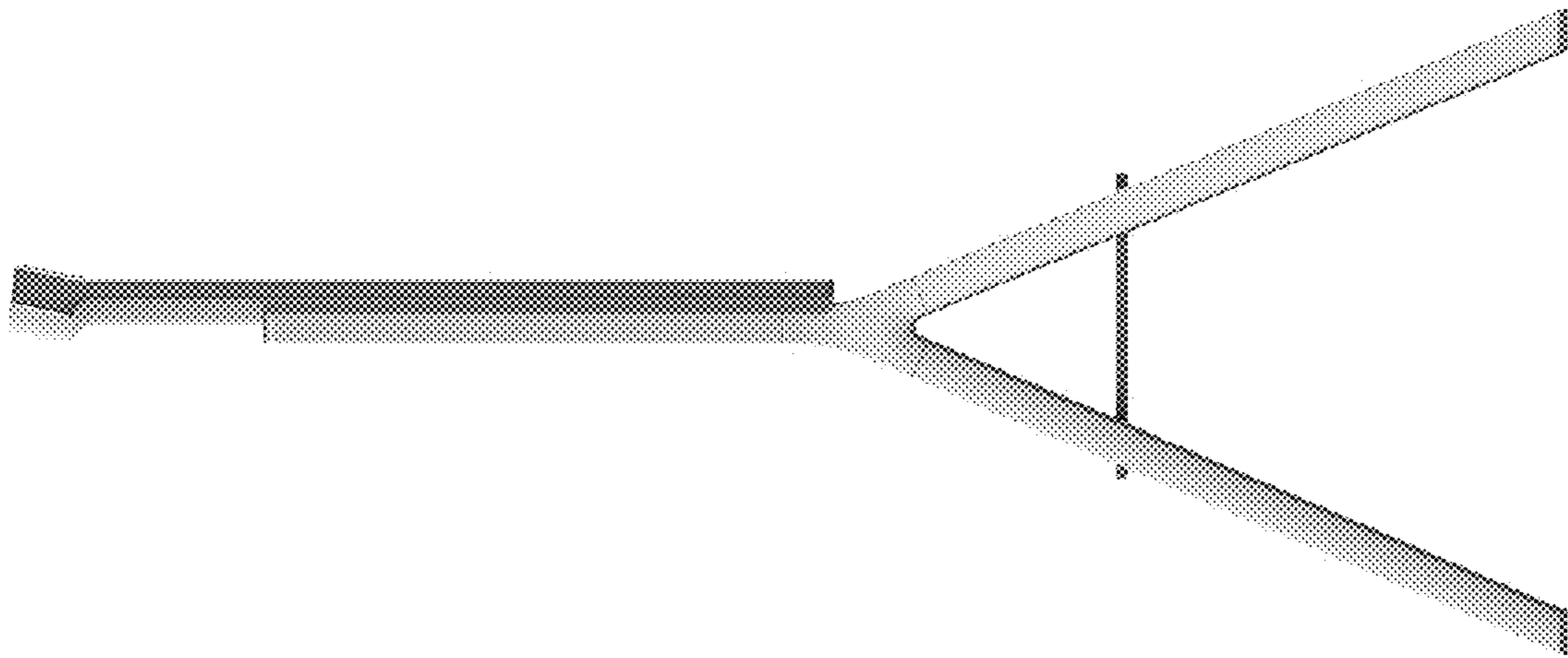


FIG. 4

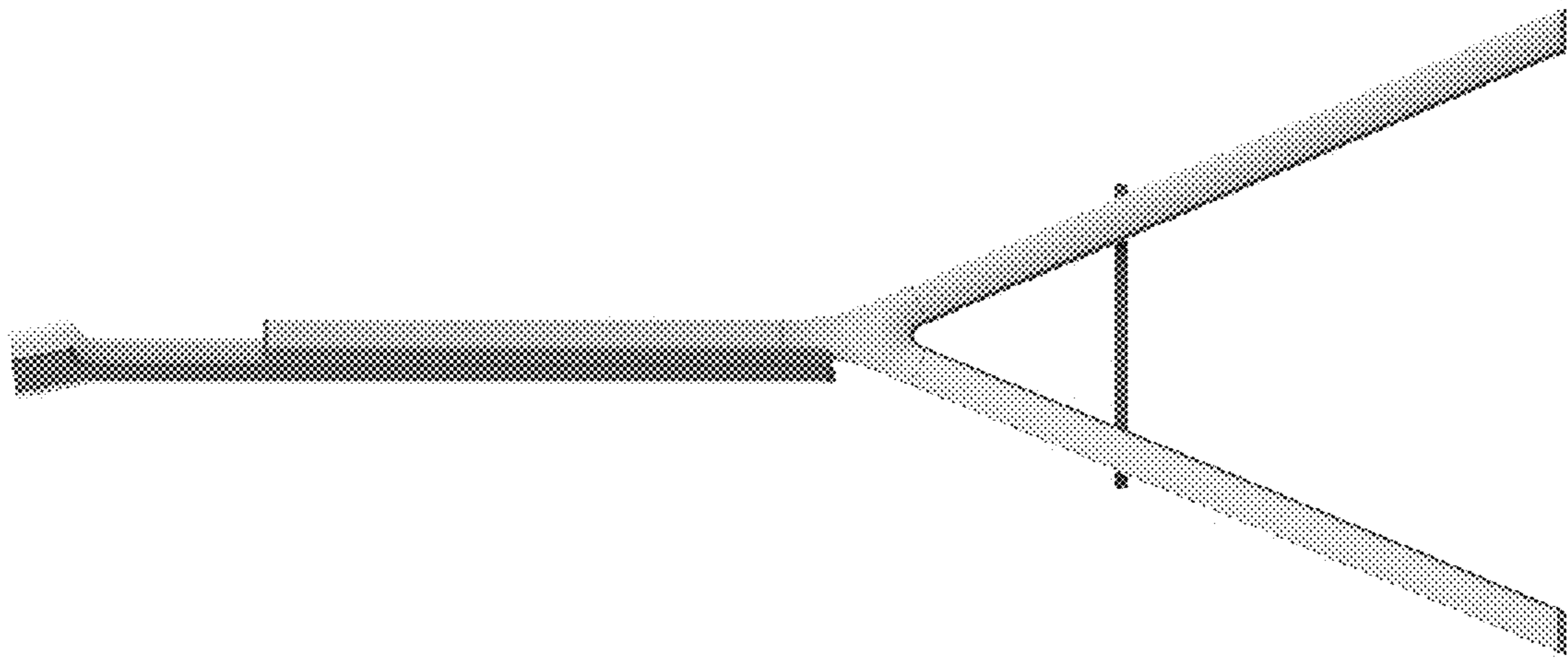


FIG. 5

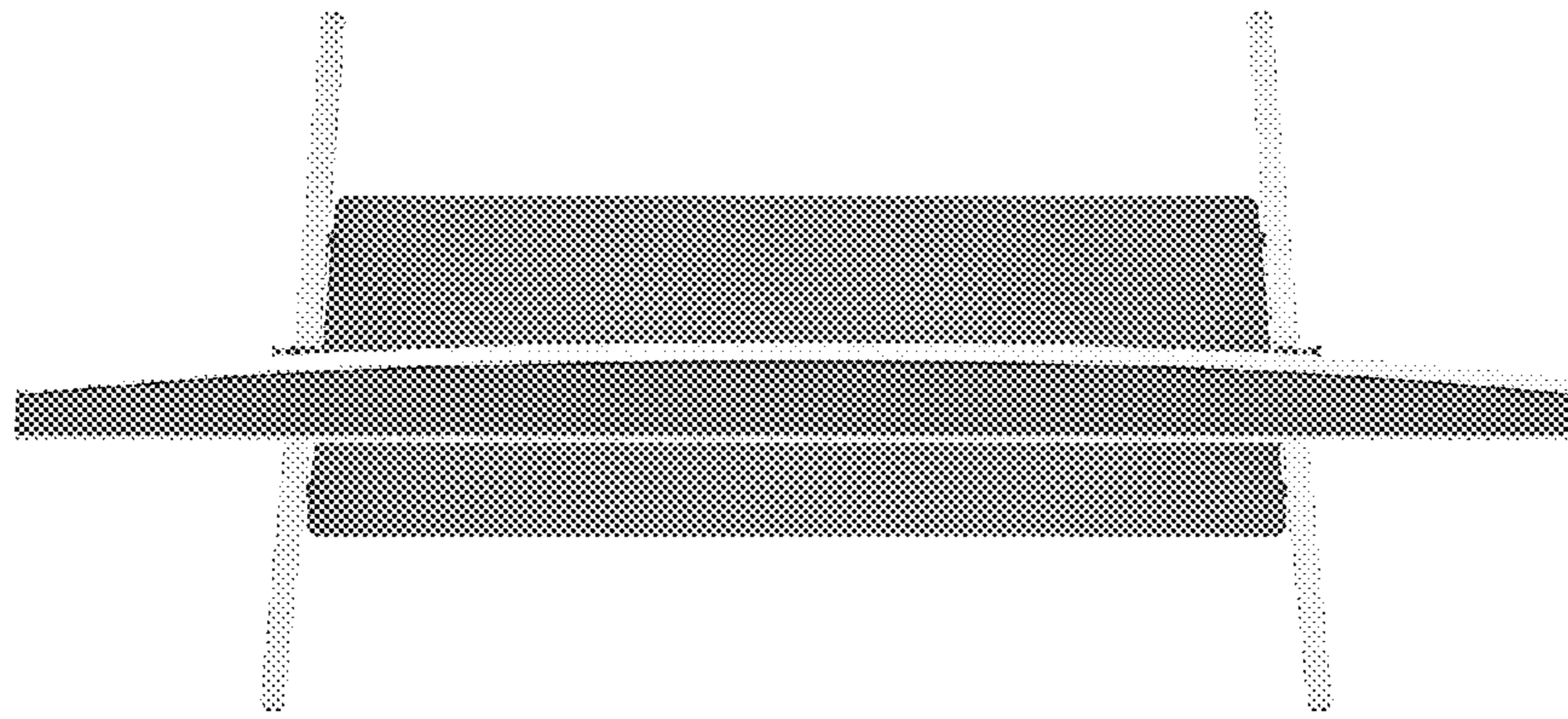


FIG. 6

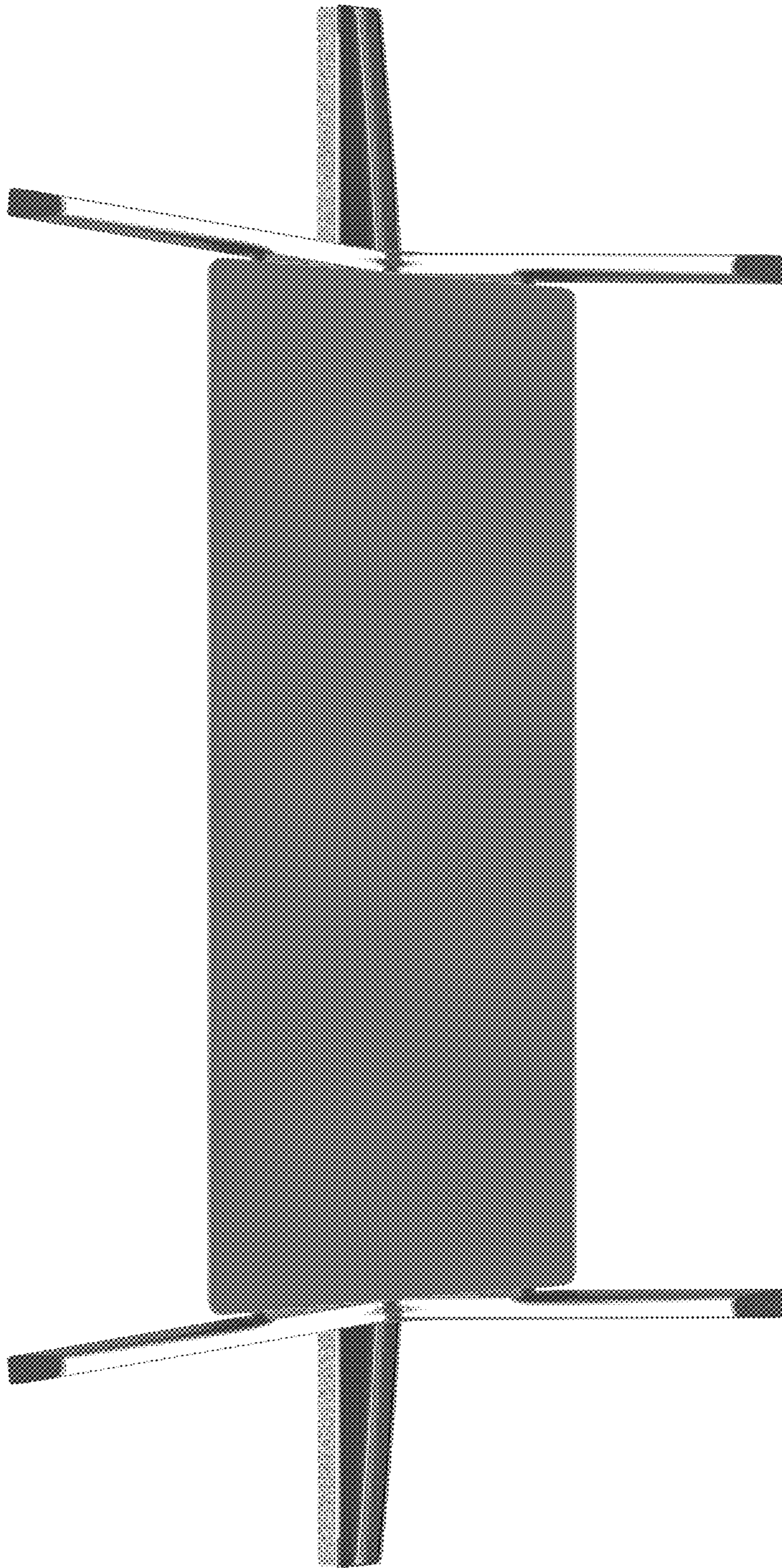


FIG. 7