



US00D949812S

(12) **United States Design Patent**  
**Jeon et al.**

(10) **Patent No.:** **US D949,812 S**  
(45) **Date of Patent:** **\*\* Apr. 26, 2022**

(54) **TELEVISION FOR ROLLABLE DISPLAY**

(71) Applicant: **LG ELECTRONICS INC.**, Seoul (KR)

(72) Inventors: **Seongahn Jeon**, Seoul (KR); **Seala Park**, Seoul (KR); **Jongchul Kim**, Seoul (KR)

(73) Assignee: **LG ELECTRONICS INC.**, Seoul (KR)

(\*\*) Term: **15 Years**

(21) Appl. No.: **29/763,448**

(22) Filed: **Dec. 22, 2020**

(30) **Foreign Application Priority Data**

Jun. 25, 2020 (KR) ..... 30-2020-0028982

(51) **LOC (13) Cl.** ..... **14-03**

(52) **U.S. Cl.**  
USPC ..... **D14/126**

(58) **Field of Classification Search**

USPC ..... D14/126, 128, 129, 130, 132, 133, 159,  
D14/239, 307, 336, 371, 372, 374, 375,  
D14/376, 383, 448, 451, 496; D20/10,  
D20/18, 19, 21, 39; D6/657, 332, 675,  
D6/675.4; D25/58; D16/241

CPC .... G06F 1/1601; G06F 1/1605; G06F 1/1607;  
G06F 1/1637; G06F 1/1642; G06F 1/182;  
G06F 1/20; G06F 2200/1612; G06F  
3/0421; G06F 3/0428; G06F 3/0488;  
G06F 3/1446; H04N 5/64; H04N  
1/00522; H05K 7/18; H05K 7/183; H05K  
7/186

See application file for complete search history.

(56) **References Cited**

**U.S. PATENT DOCUMENTS**

D153,648 S \* 5/1949 Taylor, Jr. .... D16/241  
D183,120 S \* 7/1958 Disney ..... D25/58

D185,049 S \* 4/1959 Sundberg ..... D14/126  
D212,162 S \* 9/1968 Davis ..... D11/144  
D261,149 S \* 10/1981 Brooksby ..... D16/241  
D261,573 S \* 11/1981 Lattimore ..... D14/129

(Continued)

**OTHER PUBLICATIONS**

Television receivers. . (Design—© Questel) orbit.com. [online PDF of Foreign references selected by Examiner] 75 pgs. Print Dates range Jan. 28, 2019-Jan. 27, 2022 [Retrieved Jan. 26, 2022] https://www.orbit.com/export/QPTUJ214/pdf2/426682f3-812d-4f64-986d-4111d8763e9d-005955.pdf.\*

(Continued)

*Primary Examiner* — Marie D. Fast Horse

(74) *Attorney, Agent, or Firm* — Birch, Stewart, Kolasch & Birch, LLP

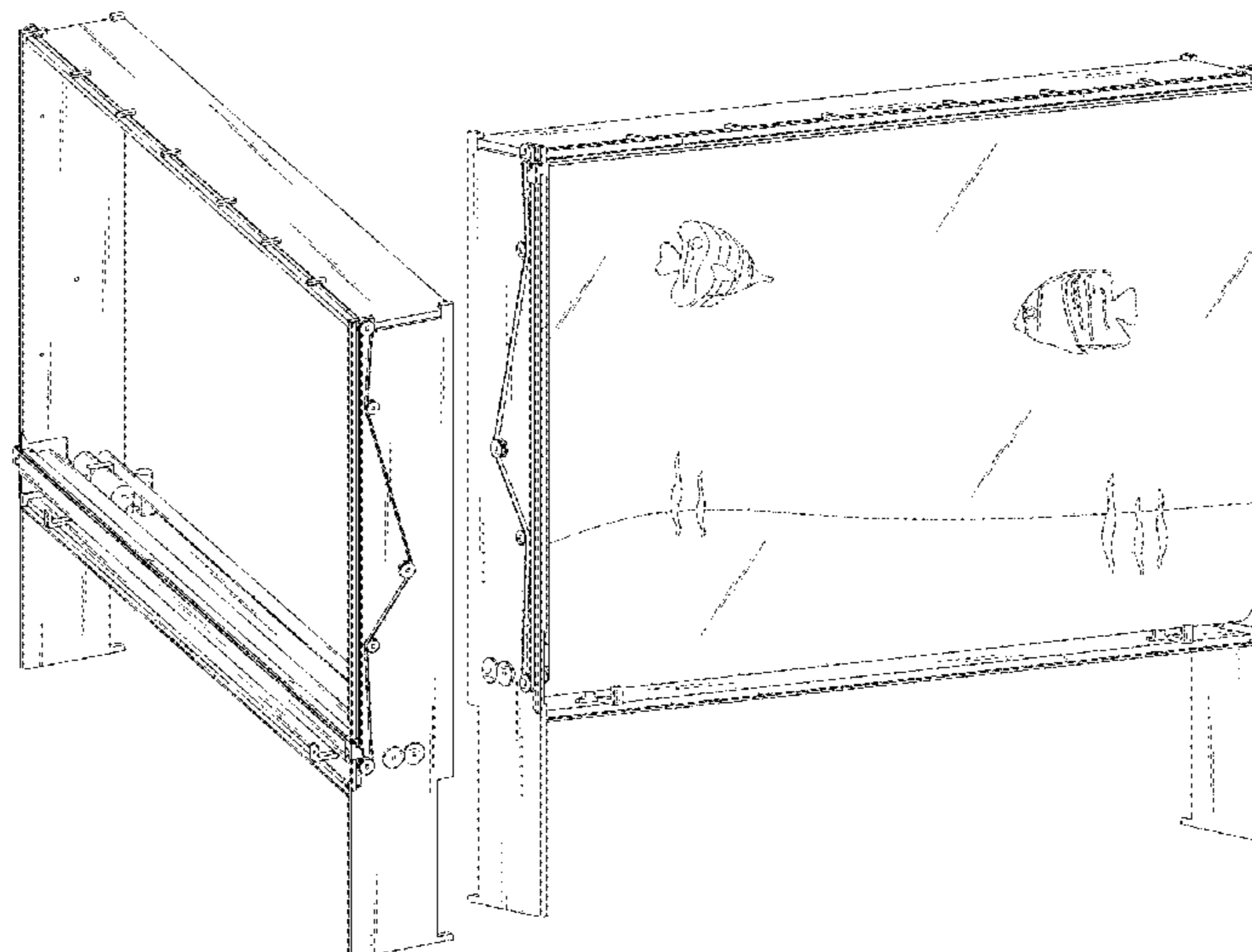
(57) **CLAIM**

We claim the ornamental design for a television for rollable display, as shown and described.

**DESCRIPTION**

FIG. 1 is a front perspective view of a television for rollable display showing the new design;  
FIG. 2 is a rear perspective view thereof;  
FIG. 3 is a front elevation view thereof;  
FIG. 4 is a rear elevation view thereof;  
FIG. 5 is a left-side elevation view thereof;  
FIG. 6 is a right-side elevation view thereof;  
FIG. 7 is a top plan view thereof;  
FIG. 8 is a bottom plan view thereof;  
FIG. 9 is a front perspective view thereof, showing a state that the display is halfway rolled up; and,  
FIG. 10 is a front perspective view thereof, showing a state that the display is fully rolled up.  
The broken lines are included for the purpose of illustrating environmental structure and form no part of the claimed design.

**1 Claim, 10 Drawing Sheets**



(56)

References Cited

U.S. PATENT DOCUMENTS

D294,204 S \* 2/1988 Tombs ..... D20/1  
 D307,680 S \* 5/1990 Ashkenazi ..... D6/407  
 D319,230 S \* 8/1991 Sugiyama ..... D14/133  
 D330,646 S \* 11/1992 Maas ..... D25/58  
 D410,346 S \* 6/1999 Kerr ..... D6/664  
 D440,076 S \* 4/2001 Kelley ..... D6/664  
 D486,804 S \* 2/2004 Takami ..... D14/126  
 D490,063 S \* 5/2004 Miller ..... D14/126  
 D500,478 S \* 1/2005 Bivona ..... D14/129  
 D529,490 S \* 10/2006 Jackson, Jr. .... D14/341  
 D550,478 S \* 9/2007 Glass, III ..... D6/332  
 D554,920 S \* 11/2007 Derocher ..... D6/672  
 D567,535 S \* 4/2008 Hentschker ..... D6/675  
 D590,643 S \* 4/2009 Domack ..... D6/657  
 D596,219 S \* 7/2009 Tatara ..... D16/241  
 D602,281 S \* 10/2009 Guidry ..... D6/642  
 D609,263 S \* 2/2010 Tatara ..... D16/241  
 D641,987 S \* 7/2011 Giroux ..... D6/675  
 D652,213 S \* 1/2012 Garner ..... D3/273  
 D658,142 S \* 4/2012 Chiu ..... D14/129  
 D661,124 S \* 6/2012 Curbbun ..... D6/675  
 D710,847 S \* 8/2014 Ozolins ..... D14/371  
 D716,276 S \* 10/2014 Yoon ..... D14/239  
 D719,120 S \* 12/2014 Park ..... D14/126  
 8,910,580 B1 \* 12/2014 Cockrell ..... H04N 5/64  
 108/50.02  
 D726,136 S \* 4/2015 Cho ..... D14/126  
 D729,293 S \* 5/2015 Lewis ..... D15/199  
 D730,858 S \* 6/2015 Yoon ..... D14/126  
 D736,169 S \* 8/2015 Kim ..... D14/126  
 D737,234 S \* 8/2015 Kim ..... D14/126  
 D744,443 S \* 12/2015 Kim ..... D14/126  
 D752,535 S \* 3/2016 Kim ..... D14/126  
 D753,083 S \* 4/2016 Kim ..... D14/126  
 D755,139 S \* 5/2016 Kim ..... D14/126  
 D755,743 S \* 5/2016 Kim ..... D14/126  
 D757,671 S \* 5/2016 Bouroullec ..... D14/126  
 D761,747 S \* 7/2016 Kim ..... D14/126  
 D778,087 S \* 2/2017 Mandon ..... D6/657  
 D789,313 S \* 6/2017 Jacobi ..... D14/126  
 D805,050 S \* 12/2017 Lim ..... D14/126  
 D805,491 S \* 12/2017 Lim ..... D14/126  
 D807,845 S \* 1/2018 Kim ..... D14/126  
 D816,627 S \* 5/2018 Kim ..... D14/126  
 D824,868 S \* 8/2018 Chong ..... D14/126  
 D827,600 S \* 9/2018 Lammens ..... D14/126  
 D831,599 S \* 10/2018 Chong ..... D14/126  
 D838,253 S \* 1/2019 Asamizu ..... D14/126

D860,963 S \* 9/2019 Jeon ..... D14/126  
 D864,626 S \* 10/2019 Chapuis ..... D6/675  
 D875,698 S \* 2/2020 Kang ..... D14/126  
 D879,732 S \* 3/2020 He ..... D14/126  
 D883,244 S \* 5/2020 Kim ..... D14/129  
 D887,379 S \* 6/2020 Cha ..... D14/126  
 D887,380 S \* 6/2020 Lee ..... D14/126  
 D895,563 S \* 9/2020 Cha ..... D14/126  
 D900,062 S \* 10/2020 Park ..... D14/217  
 D900,063 S \* 10/2020 Park ..... D14/217  
 D900,762 S \* 11/2020 Lee ..... D14/126  
 D901,408 S \* 11/2020 Kim ..... D14/126  
 D901,409 S \* 11/2020 Kim ..... D14/126  
 D908,650 S \* 1/2021 Cho ..... D14/126  
 D911,993 S \* 3/2021 Kim ..... D14/126  
 D912,637 S \* 3/2021 Lee ..... D14/126  
 D922,356 S \* 6/2021 Lee ..... D14/217  
 D924,187 S \* 7/2021 Park ..... D14/126  
 D925,518 S \* 7/2021 Neiman ..... D14/307  
 D926,149 S \* 7/2021 Park ..... D14/126  
 D930,559 S \* 9/2021 Diboine ..... D12/415  
 D934,825 S \* 11/2021 Pyo ..... D14/126  
 D935,235 S \* 11/2021 Verburg ..... D6/657  
 D938,376 S \* 12/2021 Gaytandjiev ..... D14/126  
 D938,389 S \* 12/2021 Park ..... D14/217  
 D938,390 S \* 12/2021 Park ..... D14/217  
 D938,392 S \* 12/2021 Park ..... D14/217  
 D938,393 S \* 12/2021 Park ..... D14/217  
 D938,395 S \* 12/2021 Park ..... D14/217  
 D938,396 S \* 12/2021 Kim ..... D14/217  
 D941,267 S \* 1/2022 Kim ..... D14/217  
 D941,268 S \* 1/2022 Kim ..... D14/217  
 2004/0135476 A1 \* 7/2004 Gillengerten ..... H04R 5/02  
 312/8.16  
 2013/0075518 A1 \* 3/2013 Dodd ..... G03B 21/58  
 242/390  
 2013/0148324 A1 \* 6/2013 Szolyga ..... H04N 5/64  
 361/809  
 2021/0141582 A1 \* 5/2021 Wang ..... G06F 1/1605  
 2021/0158727 A1 \* 5/2021 Choi ..... G06F 1/1601

OTHER PUBLICATIONS

Television sets. . (Design—© Questel) orbit.com. [online PDF of Foreign references selected by Examiner] 75 pgs. Print Dates range Jan. 31, 2020–Nov. 10, 2020 [Retrieved Jan. 27, 2022] <https://www.orbit.com/export/QPTUJ214/pdf2/2c8b2bd3-42d7-4f4c-b9da-4c4a4878d57b-181630.pdf>.\*

\* cited by examiner

FIG. 1

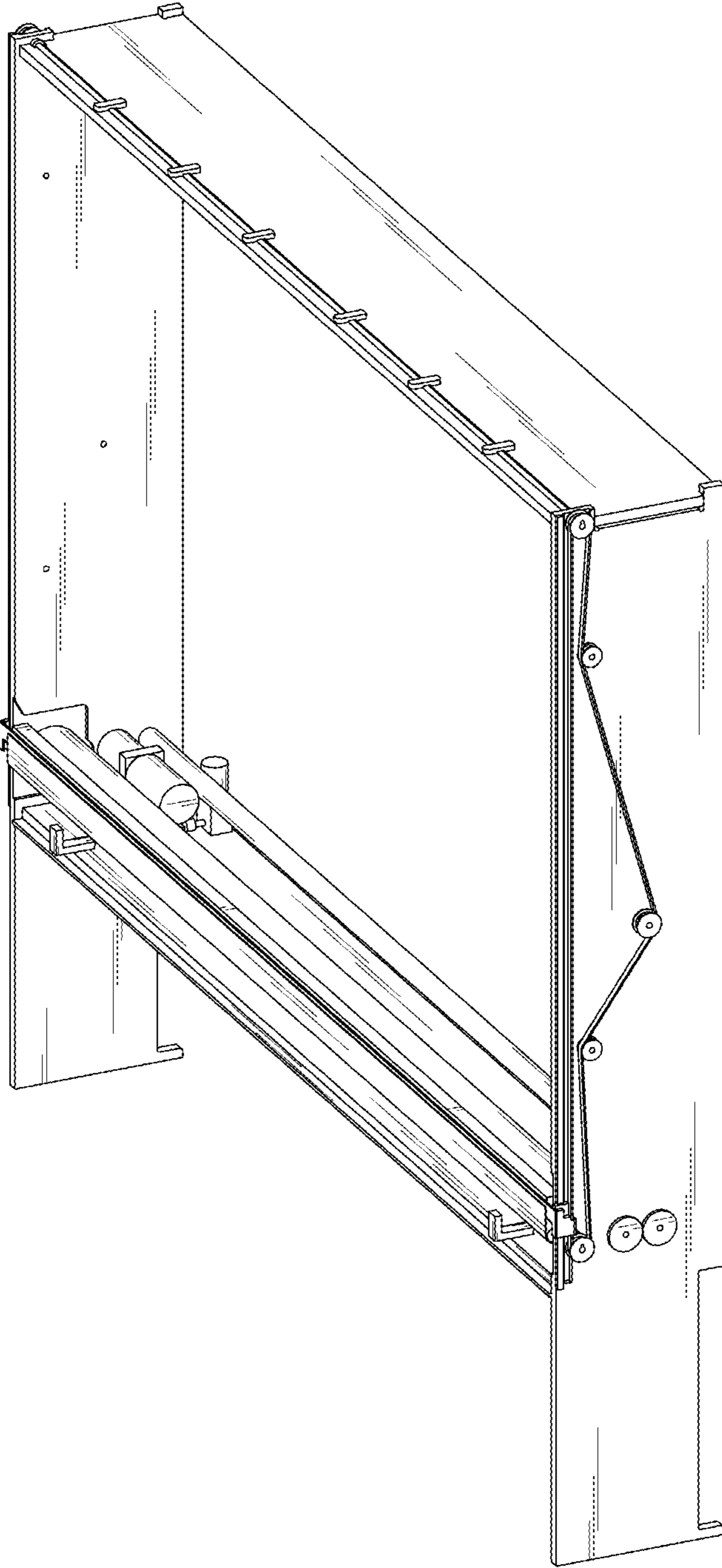
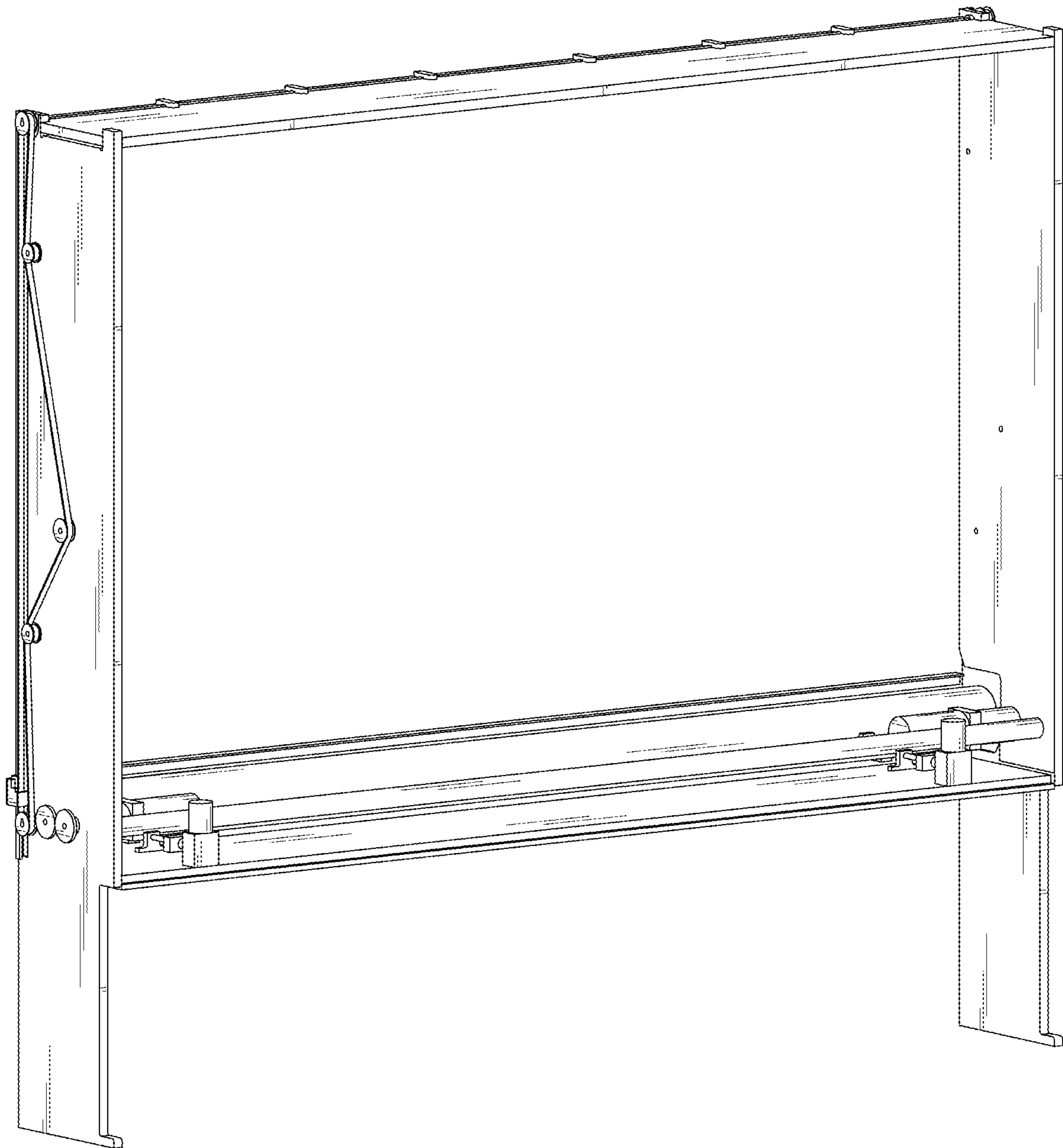
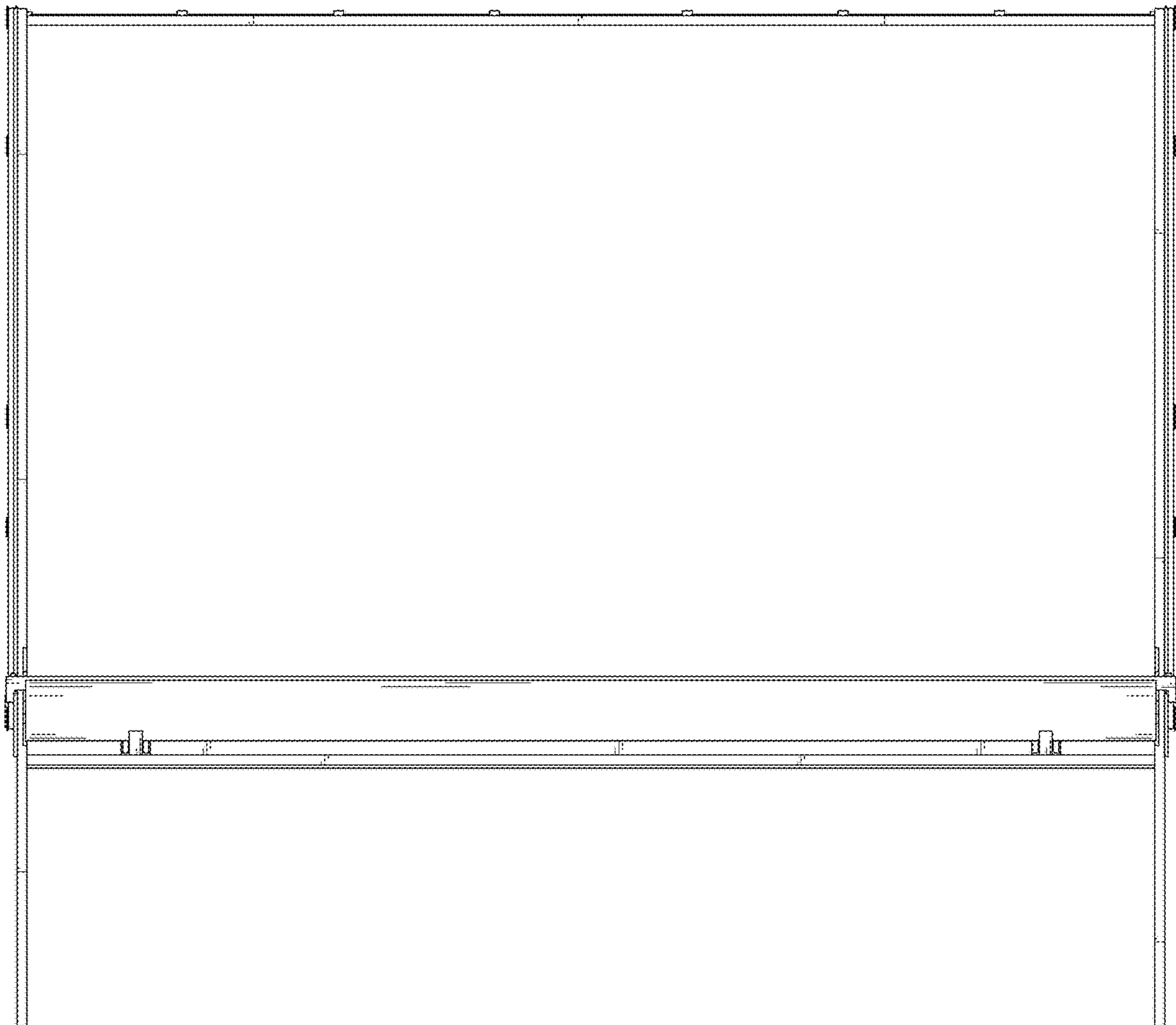


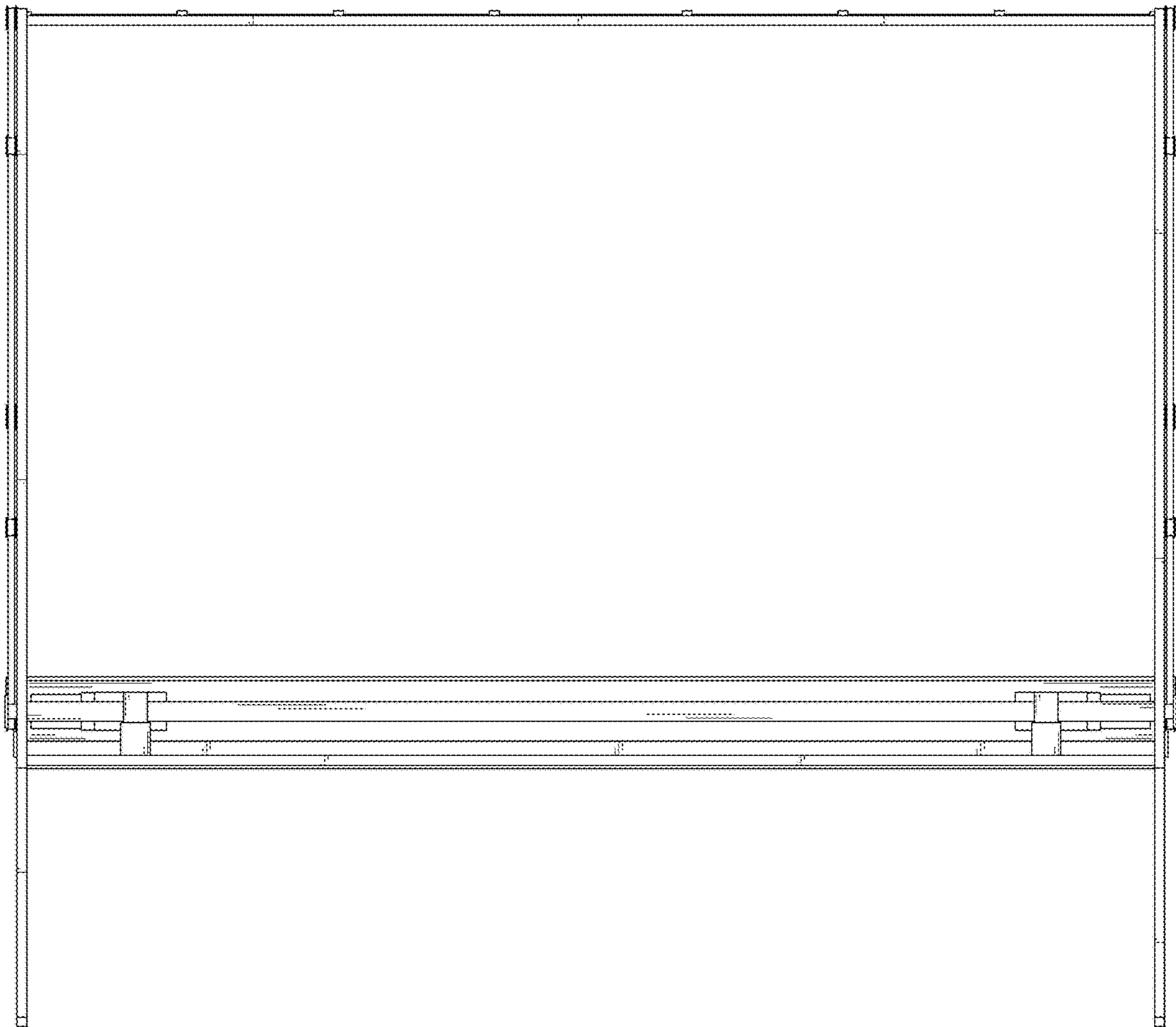
FIG. 2



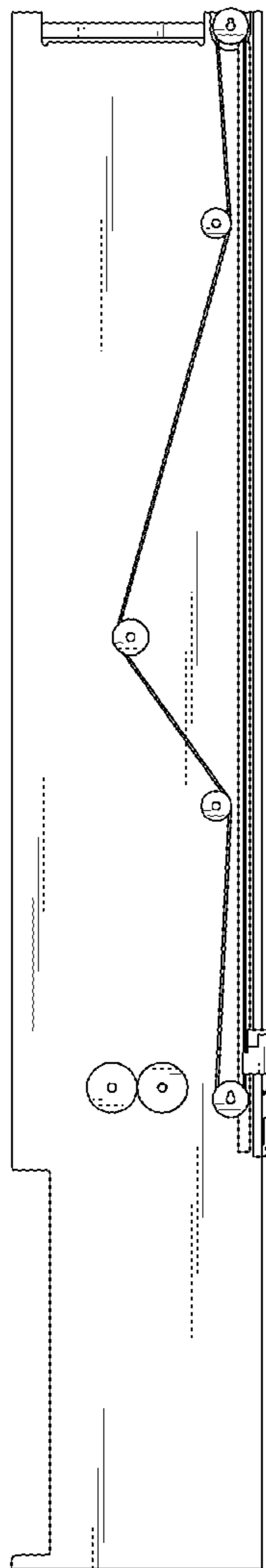
*FIG. 3*



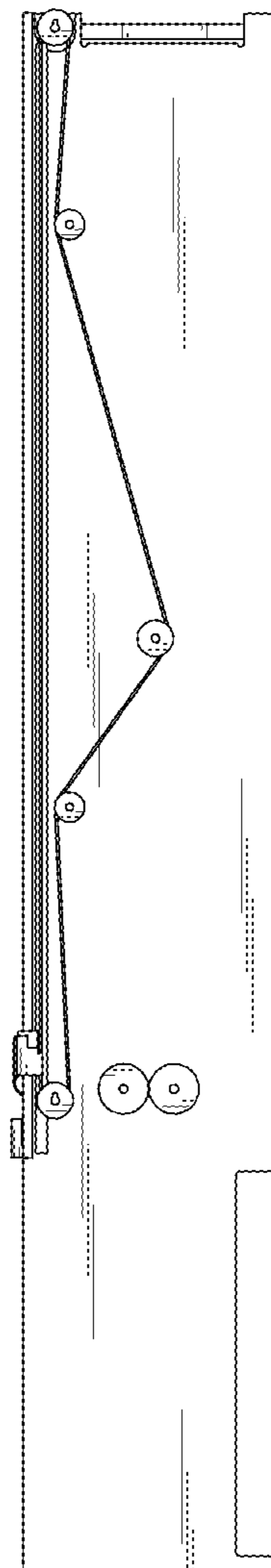
*FIG. 4*



*FIG. 5*

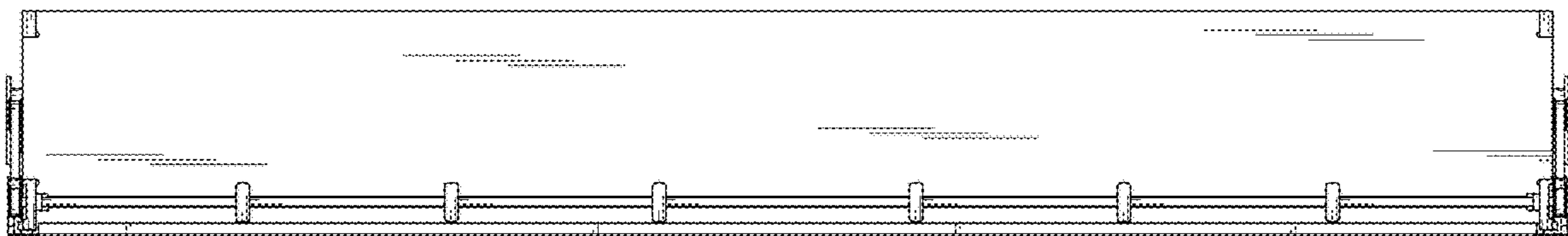


*FIG. 6*





*FIG. 7*



*FIG. 8*

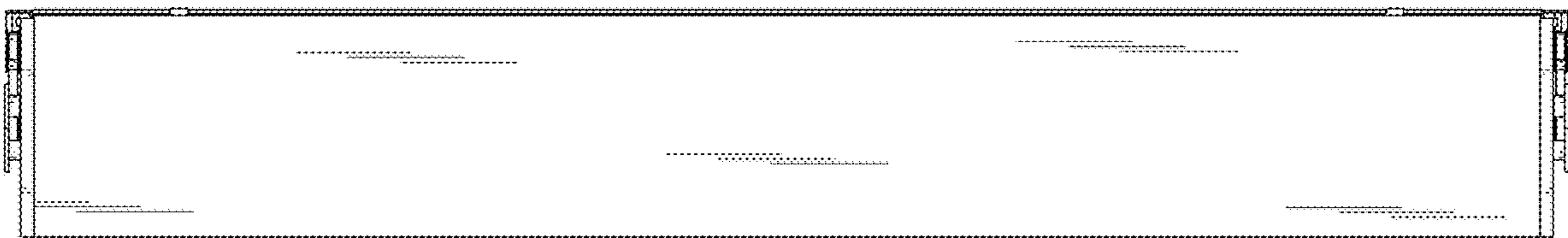


FIG. 9

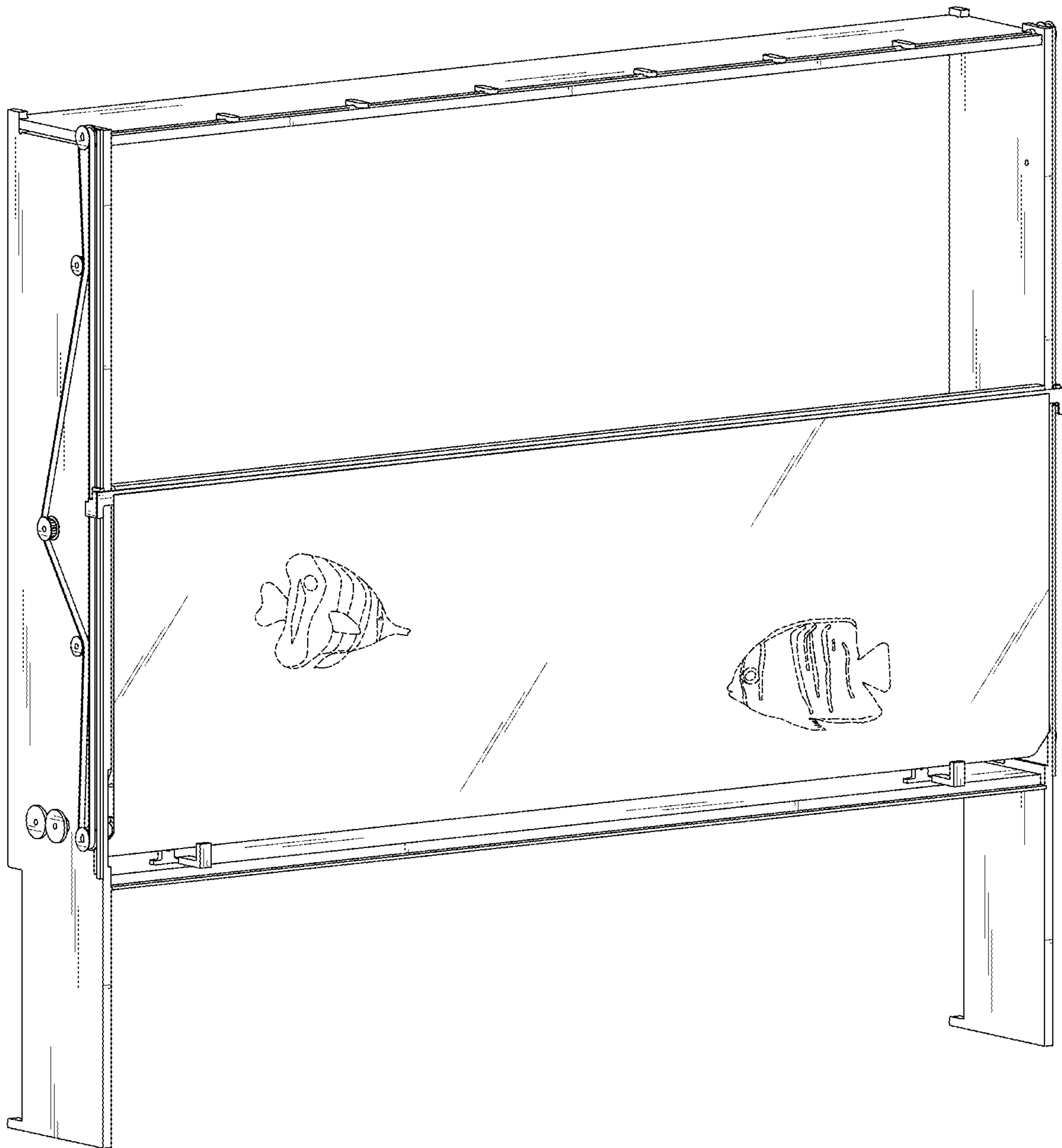


FIG. 10

