



US00D949811S

(12) **United States Design Patent**
Jeon et al.

(10) **Patent No.:** **US D949,811 S**
(45) **Date of Patent:** **** Apr. 26, 2022**

(54) **TELEVISION WITH ROLLABLE DISPLAY**

(71) Applicant: **LG ELECTRONICS INC.**, Seoul (KR)

(72) Inventors: **Seongahn Jeon**, Seoul (KR); **Seala Park**, Seoul (KR); **Jongchul Kim**, Seoul (KR)

(73) Assignee: **LG ELECTRONICS INC.**, Seoul (KR)

(**) Term: **15 Years**

(21) Appl. No.: **29/763,396**

(22) Filed: **Dec. 22, 2020**

(30) **Foreign Application Priority Data**

Jun. 24, 2020 (KR) 30-2020-0028755

(51) **LOC (13) Cl.** **14-03**

(52) **U.S. Cl.**
USPC **D14/126**

(58) **Field of Classification Search**
USPC D14/126, 128, 129, 130, 132, 133, 159, D14/239, 307, 336, 371, 372, 374, 375, D14/376, 383, 448, 451, 496; D20/10, D20/18, 19, 21, 39; D6/657, 332, 675, D6/675.4; D25/58; D16/241
CPC G06F 1/1601; G06F 1/1605; G06F 1/1607; G06F 1/1637; G06F 1/1642; G06F 1/182; G06F 1/20; G06F 2200/1612; G06F 3/0421; G06F 3/0428; G06F 3/0488; G06F 3/1446; H04N 5/64; H04N 1/00522; H05K 7/18; H05K 7/183; H05K 7/186

See application file for complete search history.

(56) **References Cited**

U.S. PATENT DOCUMENTS

D153,648 S * 5/1949 Taylor, Jr. D16/241
D183,120 S * 7/1958 Disney D25/58

D185,049 S * 4/1959 Sundberg D14/126
D212,162 S * 9/1968 Davis D11/144
D261,149 S * 10/1981 Brooksby D16/241
D261,573 S * 11/1981 Lattimore D14/129
D294,204 S * 2/1988 Tombs D20/1
D307,680 S * 5/1990 Ashkenazi D6/407

(Continued)

OTHER PUBLICATIONS

Television receivers. . (Design—© Questel) orbit.com. [online PDF of Foreign references] 75 pgs. Print Dates range Jan. 28, 2019-Jan. 27, 2022 [Retrieved Jan. 26, 2022] <https://www.orbit.com/export/QPTUJ214/pdf2/426682f3-812d-4f64-986d-4111d8763e9d-005955.pdf>.*

(Continued)

Primary Examiner — Marie D. Fast Horse

(74) *Attorney, Agent, or Firm* — Birch, Stewart, Kolasch & Birch, LLP

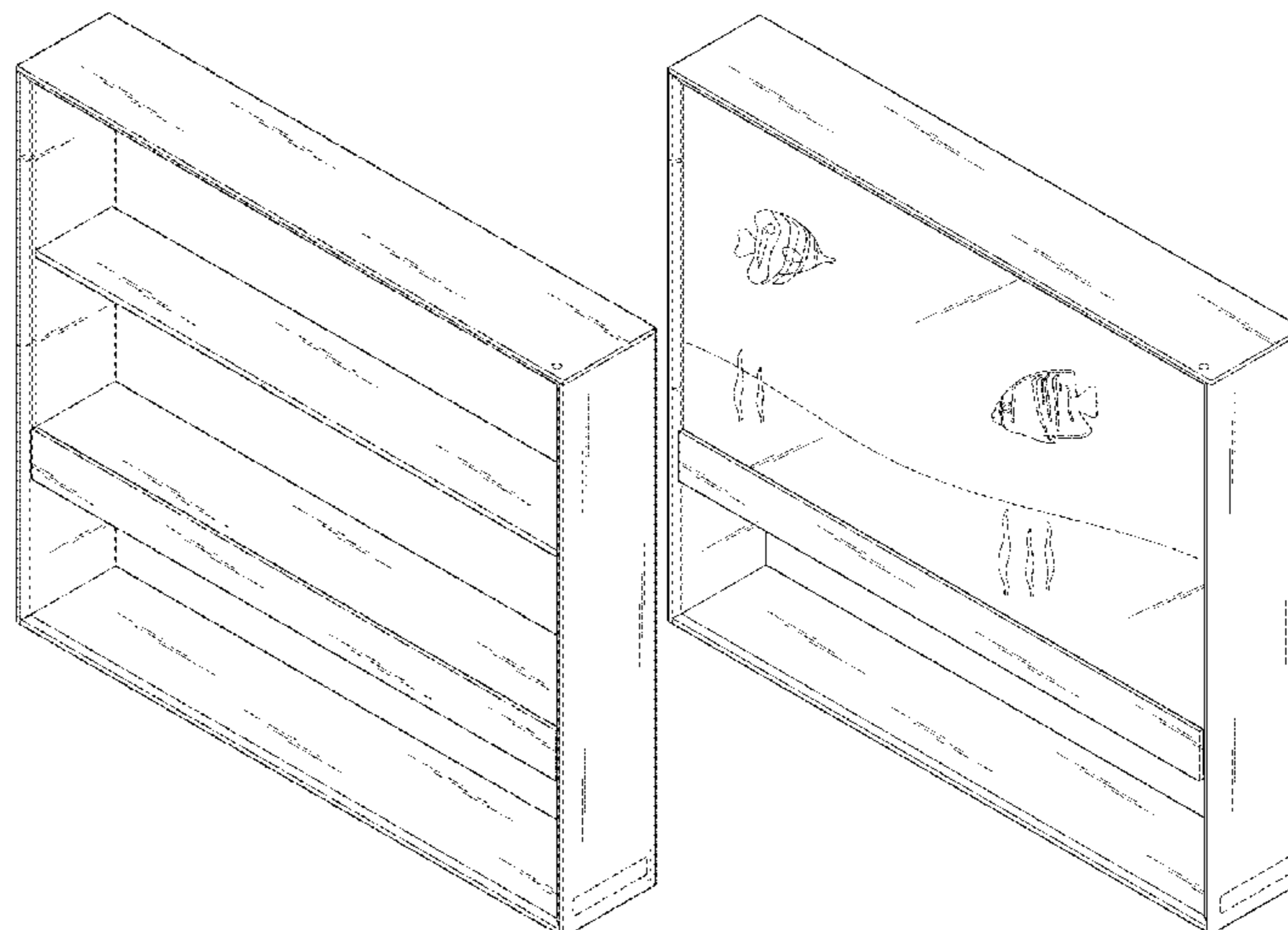
(57) **CLAIM**

We claim the ornamental design for a television with rollable display, as shown and described.

DESCRIPTION

FIG. 1 is a front perspective view of a television with rollable display showing the new design; FIG. 2 is a rear perspective view thereof; FIG. 3 is a front elevation view thereof; FIG. 4 is a rear elevation view thereof; FIG. 5 is a left-side elevation view thereof; FIG. 6 is a right-side elevation view thereof; FIG. 7 is a top plan view thereof; FIG. 8 is a bottom plan view thereof; and, FIG. 9 is a front perspective view thereof, showing a state of the display when rolled-up from the back of the speaker. The broken lines represent portions of the television with rollable display that form no part of the claimed design.

1 Claim, 9 Drawing Sheets



(56)

References Cited

U.S. PATENT DOCUMENTS

D319,230 S * 8/1991 Sugiyama D14/133
 D330,646 S * 11/1992 Maas D25/58
 D410,346 S * 6/1999 Kerr D6/664
 D440,076 S * 4/2001 Kelley D6/664
 D486,804 S * 2/2004 Takami D14/126
 D490,063 S * 5/2004 Miller D14/126
 D500,478 S * 1/2005 Bivona D14/129
 D529,490 S * 10/2006 Jackson, Jr. D14/341
 D550,478 S * 9/2007 Glass, III D6/332
 D554,920 S * 11/2007 Derocher D6/672
 D567,535 S * 4/2008 Hentschker D6/675
 D590,643 S * 4/2009 Domack D6/657
 D596,219 S * 7/2009 Tatara D16/241
 D602,281 S * 10/2009 Guidry D6/642
 D609,263 S * 2/2010 Tatara D16/241
 D641,987 S * 7/2011 Giroux D6/675
 D652,213 S * 1/2012 Garner D3/273
 D658,142 S * 4/2012 Chiu D14/129
 D661,124 S * 6/2012 Curbbun D6/675
 D710,847 S * 8/2014 Ozolins D14/371
 D716,276 S * 10/2014 Yoon D14/239
 D719,120 S * 12/2014 Park D14/126
 8,910,580 B1 * 12/2014 Cockrell H04N 5/64
 108/50.02
 D726,136 S * 4/2015 Cho D14/126
 D729,293 S * 5/2015 Lewis D15/199
 D730,858 S * 6/2015 Yoon D14/126
 D736,169 S * 8/2015 Kim D14/126
 D737,234 S * 8/2015 Kim D14/126
 D744,443 S * 12/2015 Kim D14/126
 D752,535 S * 3/2016 Kim D14/126
 D753,083 S * 4/2016 Kim D14/126
 D755,139 S * 5/2016 Kim D14/126
 D755,743 S * 5/2016 Kim D14/126
 D757,671 S * 5/2016 Bouroullec D14/126
 D761,747 S * 7/2016 Kim D14/126
 D778,087 S * 2/2017 Mandon D6/657
 D789,313 S * 6/2017 Jacobi D14/126
 D805,050 S * 12/2017 Lim D14/126
 D805,491 S * 12/2017 Lim D14/126
 D807,845 S * 1/2018 Kim D14/126
 D816,627 S * 5/2018 Kim D14/126
 D824,868 S * 8/2018 Chong D14/126
 D827,600 S * 9/2018 Lammens D14/126
 D831,599 S * 10/2018 Chong D14/126
 D838,253 S * 1/2019 Asamizu D14/126
 D860,963 S * 9/2019 Jeon D14/126

D864,626 S * 10/2019 Chapuis D6/675
 D875,698 S * 2/2020 Kang D14/126
 D879,732 S * 3/2020 He D14/126
 D883,244 S * 5/2020 Kim D14/129
 D887,379 S * 6/2020 Cha D14/126
 D887,380 S * 6/2020 Lee D14/126
 D895,563 S * 9/2020 Cha D14/126
 D900,062 S * 10/2020 Park D14/217
 D900,063 S * 10/2020 Park D14/217
 D900,762 S * 11/2020 Lee D14/126
 D901,408 S * 11/2020 Kim D14/126
 D901,409 S * 11/2020 Kim D14/126
 D908,650 S * 1/2021 Cho D14/126
 D911,993 S * 3/2021 Kim D14/126
 D912,637 S * 3/2021 Lee D14/126
 D922,356 S * 6/2021 Lee D14/217
 D924,187 S * 7/2021 Park D14/126
 D925,518 S * 7/2021 Neiman D14/307
 D926,149 S * 7/2021 Park D14/126
 D930,559 S * 9/2021 Diboine D12/415
 D934,825 S * 11/2021 Pyo D14/126
 D935,235 S * 11/2021 Verburg D6/657
 D938,376 S * 12/2021 Gaytandjiev D14/126
 D938,389 S * 12/2021 Park D14/217
 D938,390 S * 12/2021 Park D14/217
 D938,392 S * 12/2021 Park D14/217
 D938,393 S * 12/2021 Park D14/217
 D938,395 S * 12/2021 Park D14/217
 D938,396 S * 12/2021 Kim D14/217
 D941,267 S * 1/2022 Kim D14/217
 D941,268 S * 1/2022 Kim D14/217
 2004/0135476 A1 * 7/2004 Gillengerten H04R 5/02
 312/8.16
 2013/0075518 A1 * 3/2013 Dodd G03B 21/58
 242/390
 2013/0148324 A1 * 6/2013 Szolyga H04N 5/64
 361/809
 2021/0141582 A1 * 5/2021 Wang G06F 1/1605
 2021/0158727 A1 * 5/2021 Choi G06F 1/1601

OTHER PUBLICATIONS

Television sets. . (Design—© Questel) orbit.com. [online PDF of Foreign references] 75 pgs. Print Dates range Jan. 31, 2020-Nov. 10, 2020 [Retrieved Jan. 27, 2022] <https://www.orbit.com/export/QPTUJ214/pdf2/2c8b2bd3-42d7-4f4c-b9da-4c4a4878d57b-181630.pdf>.*

* cited by examiner

FIG. 1

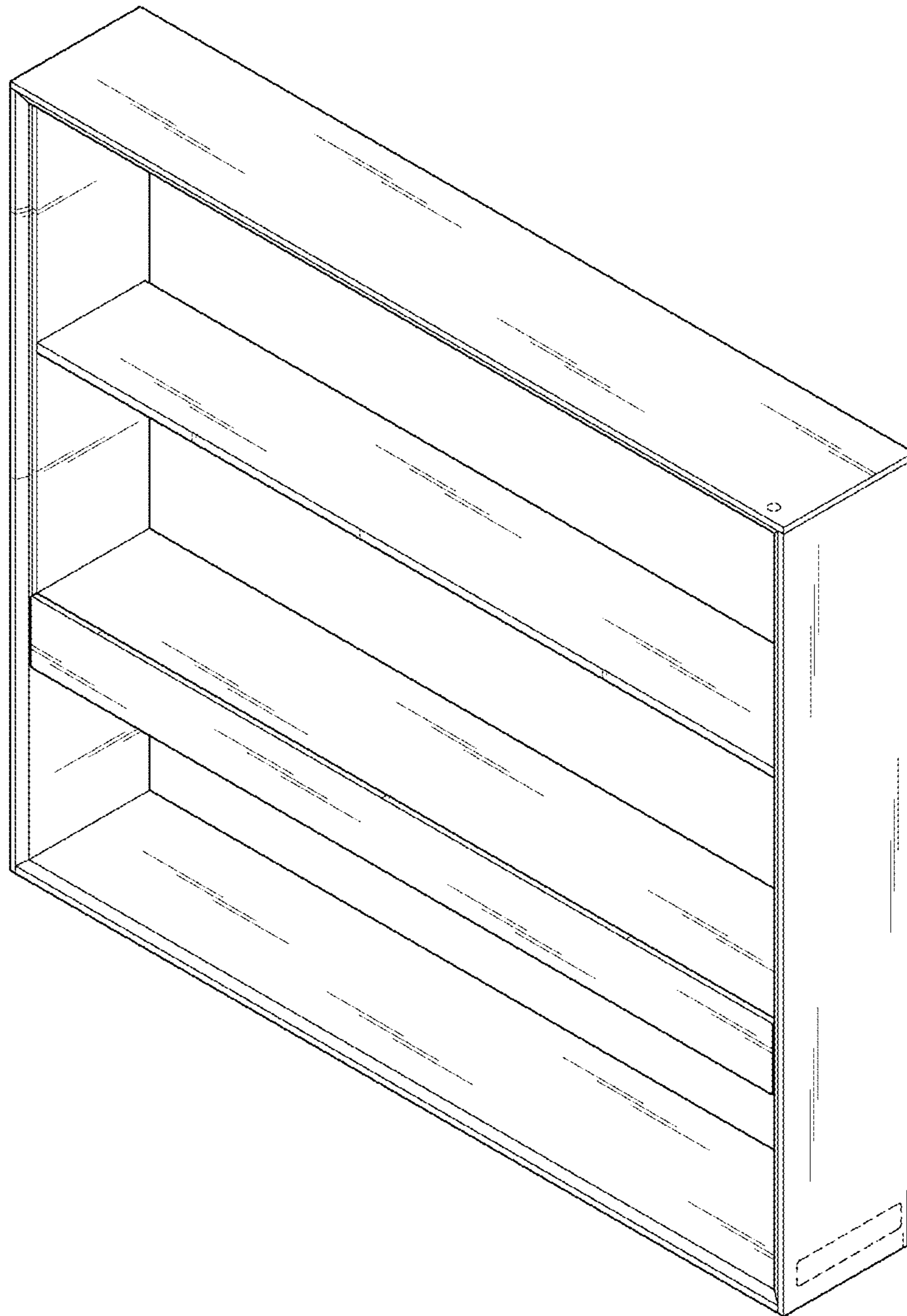


FIG. 2

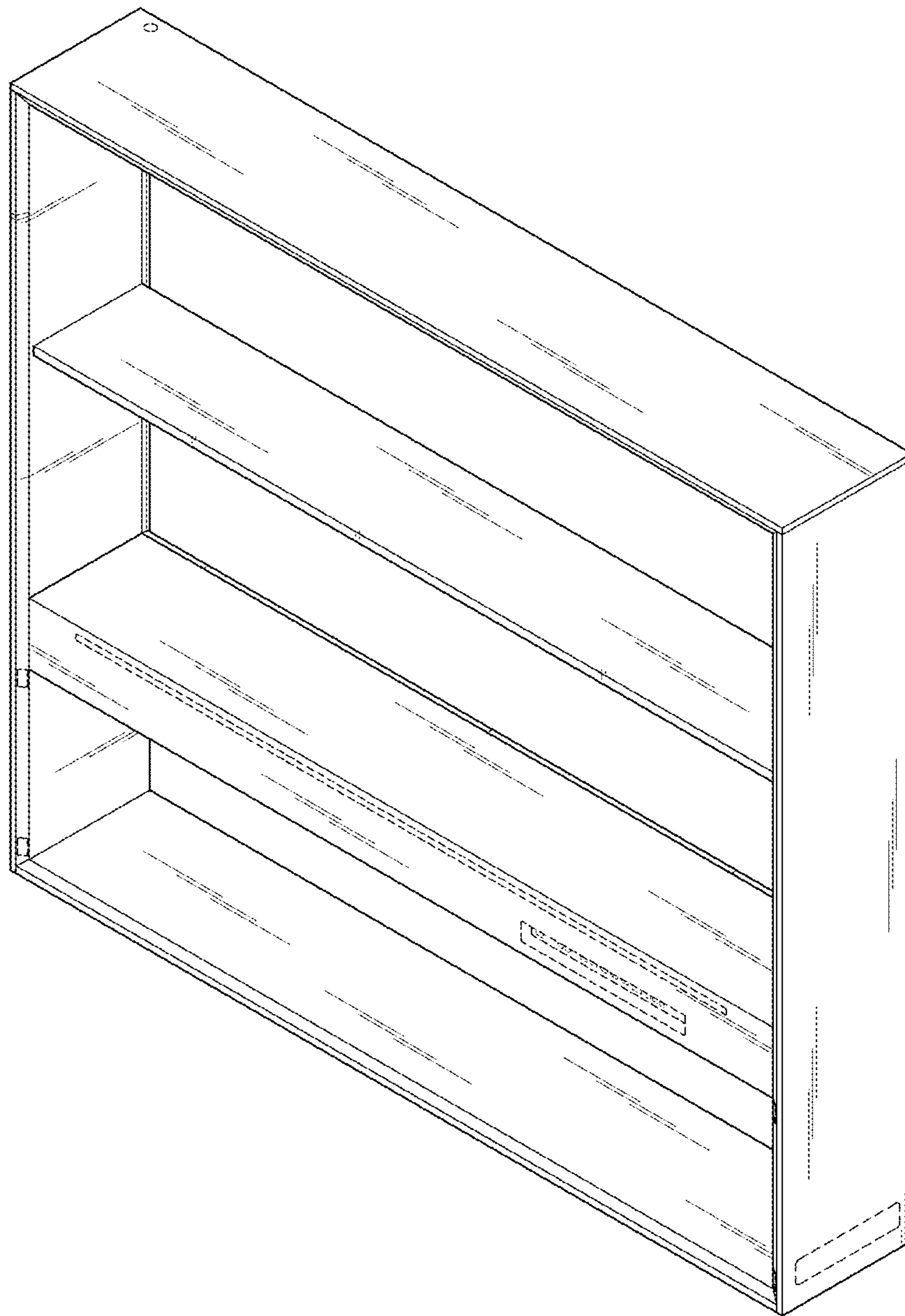


FIG. 3

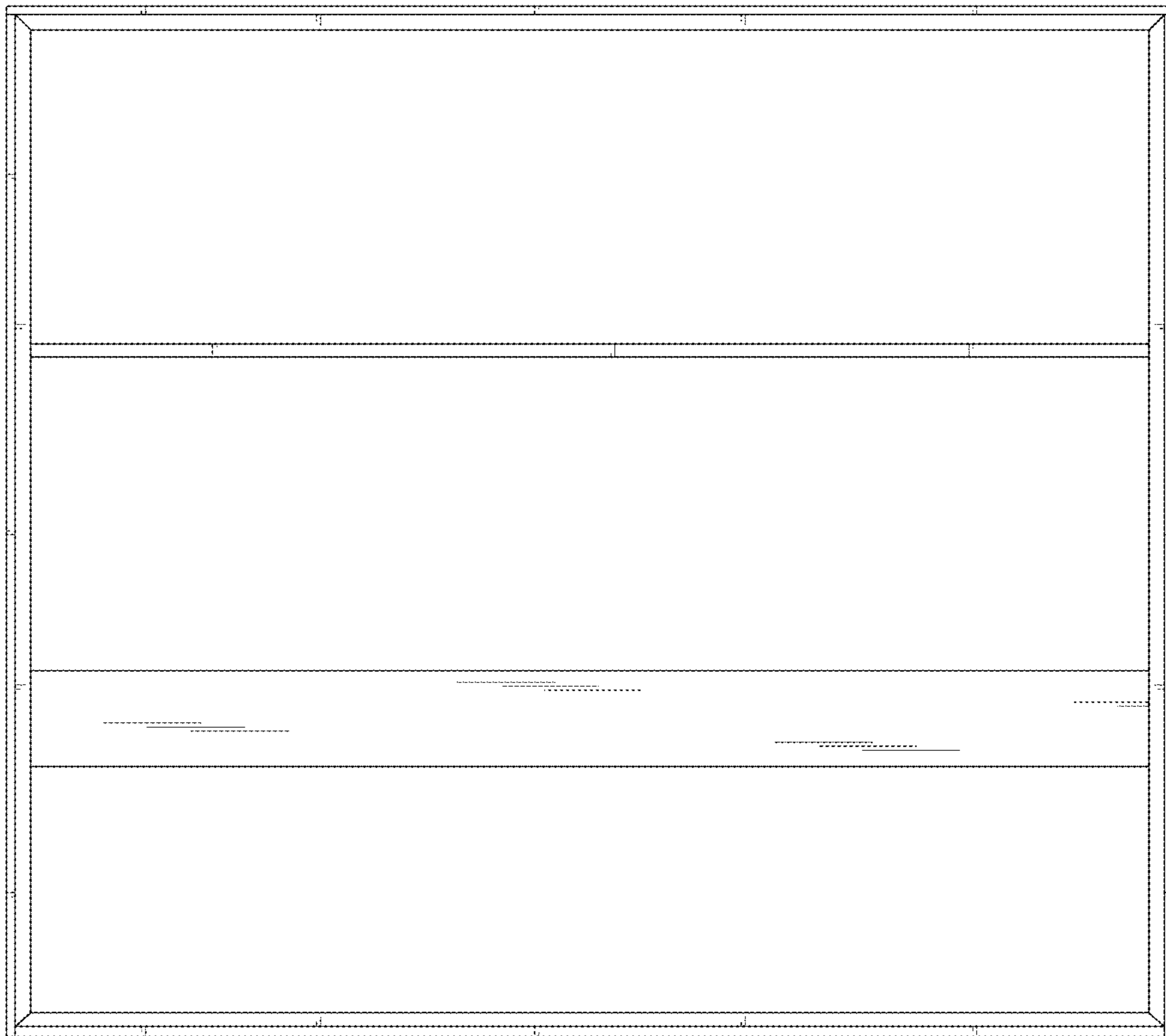


FIG. 4

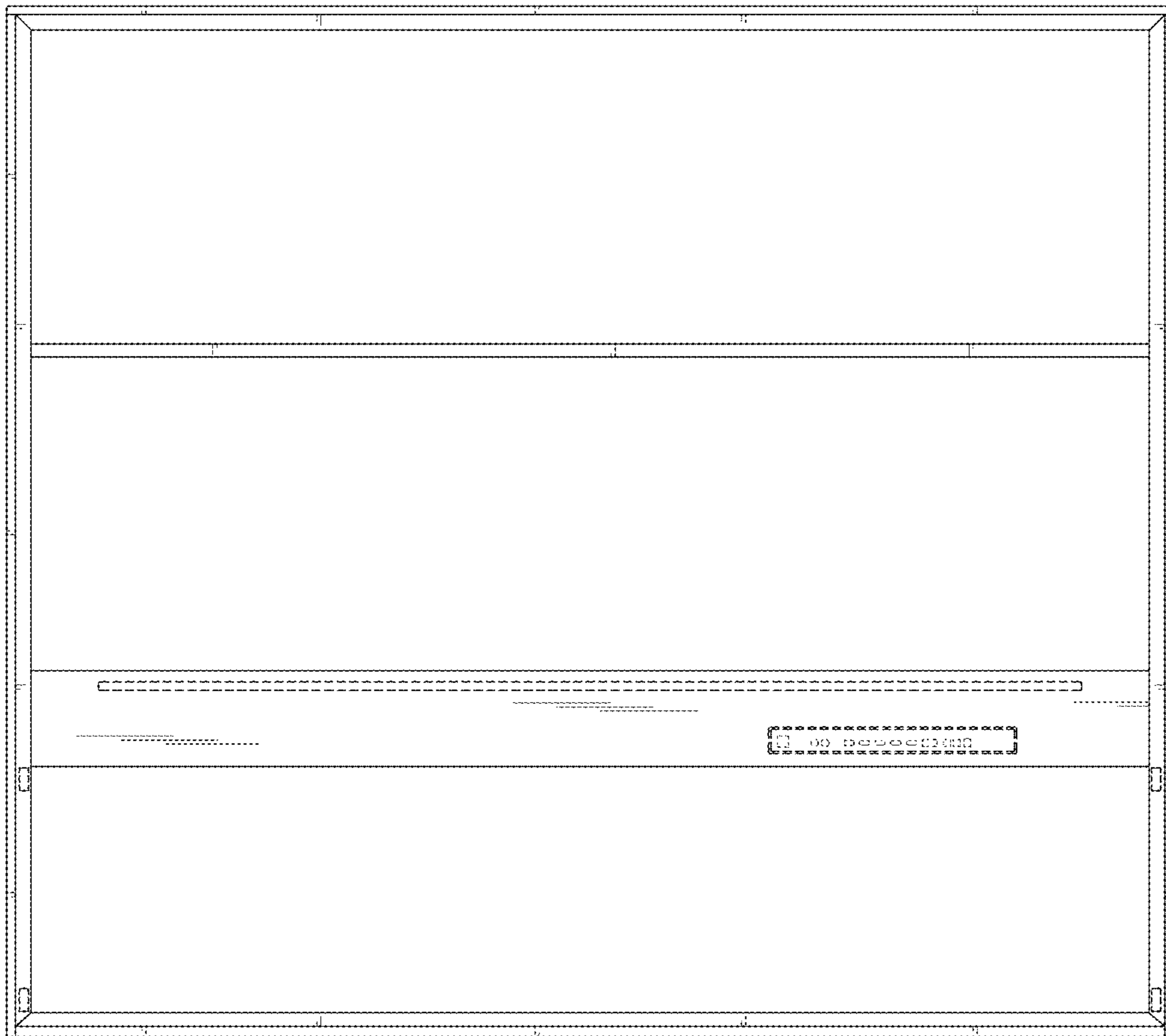


FIG. 5

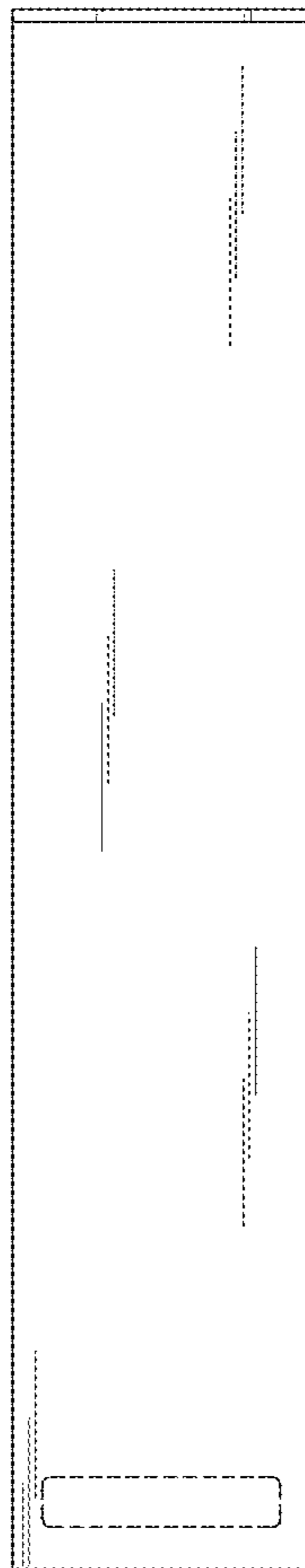


FIG. 6

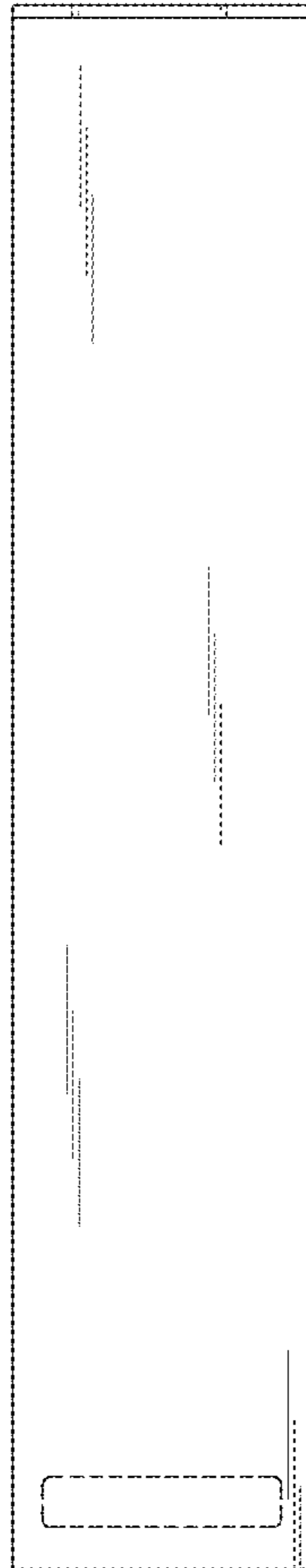


FIG. 7

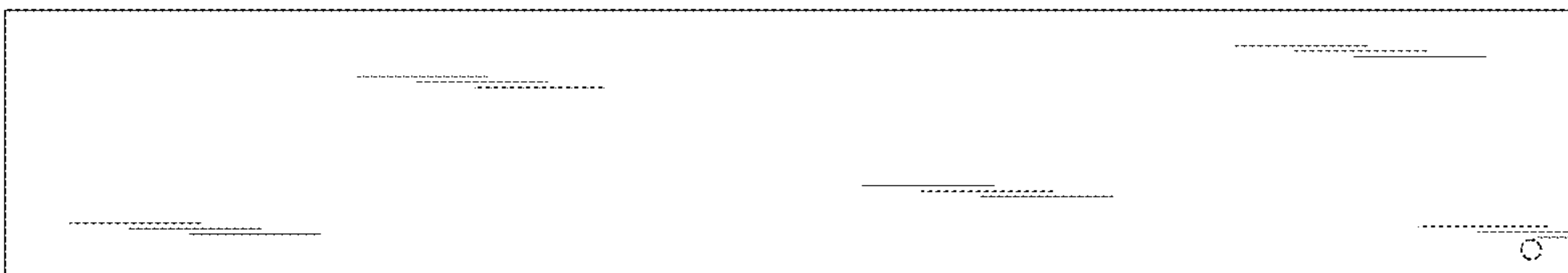


FIG. 8

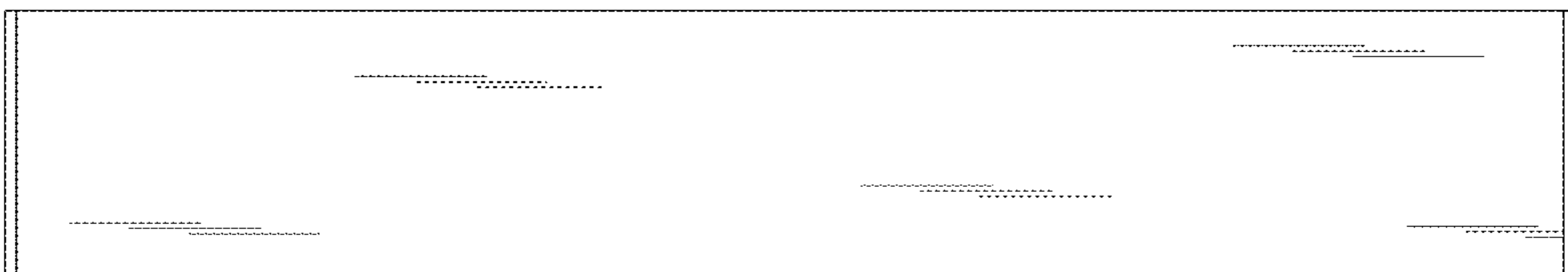


FIG. 9

