



US00D949799S

(12) **United States Design Patent**
Ito et al.

(10) **Patent No.: US D949,799 S**

(45) **Date of Patent: ** Apr. 26, 2022**

(54) **MEZZANINE CONNECTOR HOUSING**

D772,168 S * 11/2016 Harper, Jr. D13/154
D836,559 S * 12/2018 Naumann H02B 1/056

(71) Applicant: **YAMAICHI ELECTRONICS CO., LTD.**, Tokyo (JP)

2021/0257765 A1* 8/2021 Yamada H01R 13/24

(72) Inventors: **Toshiyasu Ito**, Tokyo (JP); **Yosuke Takai**, Tokyo (JP); **Taichi Enjoji**, Tokyo (JP)

FOREIGN PATENT DOCUMENTS

JP D1372558 S 11/2009
JP D1659242 S 5/2020
JP D1659243 S 5/2020

(73) Assignee: **YAMAICHI ELECTRONICS CO., LTD.**, Tokyo (JP)

OTHER PUBLICATIONS

Molex, Date: Jul. 23, 2019, [online], [site visited Nov. 16, 2021]. Available from internet, URL: https://www.molex.com/molex/products/part-detail/pcb_headers/2091411110 (Year: 2019).*

(**) Term: **15 Years**

* cited by examiner

(21) Appl. No.: **29/737,412**

(22) Filed: **Jun. 9, 2020**

Primary Examiner — Shawn T Gingrich
Assistant Examiner — Bryan Nolan Melvin
(74) *Attorney, Agent, or Firm* — Westbridge IP LLC

(51) **LOC (13) Cl.** **13-03**

(52) **U.S. Cl.**
USPC **D13/147**; D13/133

(58) **Field of Classification Search**
USPC D13/107, 110, 118, 120, 123, 125, 133,
D13/146–147, 149, 154, 184, 199
CPC H01R 13/24; H01R 13/50; H01R 13/2492;
H01R 13/6582; H01R 43/20; H01L
23/49861; H02B 1/056

See application file for complete search history.

(57) **CLAIM**

The ornamental design for a mezzanine connector housing, as shown and described.

DESCRIPTION

FIG. 1 is a top perspective view of a mezzanine connector housing showing our new design; FIG. 2 is a bottom perspective view thereof; FIG. 3 is a front elevational view thereof; FIG. 4 is a rear elevational view thereof; FIG. 5 is a top plan view thereof; FIG. 6 is a bottom plan view thereof; FIG. 7 is a left side view thereof; and, FIG. 8 is a right side view thereof. The broken lines shown in the drawings illustrate portions of the mezzanine connector housing which form no part of the claimed design.

(56) **References Cited**

U.S. PATENT DOCUMENTS

D493,423 S * 7/2004 Kubota D13/125
D598,389 S * 8/2009 Yu D13/147
D611,908 S * 3/2010 Takada D13/147
D712,843 S * 9/2014 Buck D13/154
D731,435 S * 6/2015 Buck D13/147
D745,852 S * 12/2015 Harper, Jr. D13/154
D750,026 S * 2/2016 Buck D13/147
D751,992 S * 3/2016 Buck D13/154
D765,035 S * 8/2016 Buck D13/147
D766,832 S * 9/2016 Harper, Jr. D13/147

1 Claim, 6 Drawing Sheets

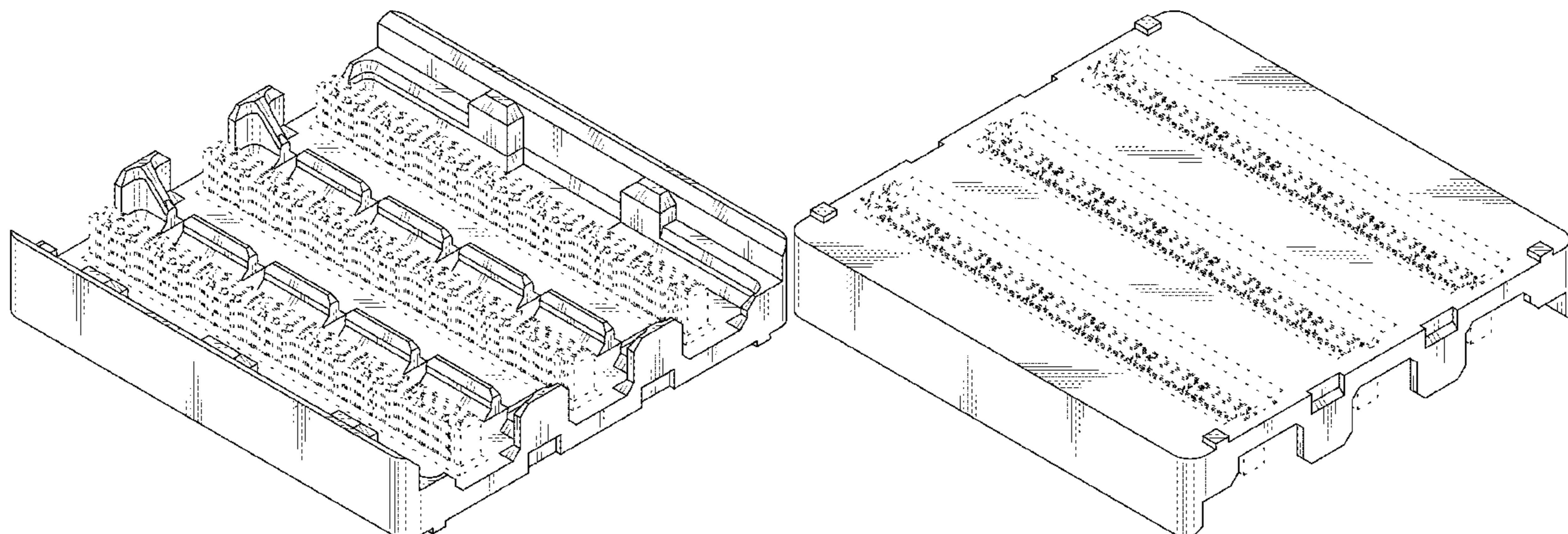


FIG. 1

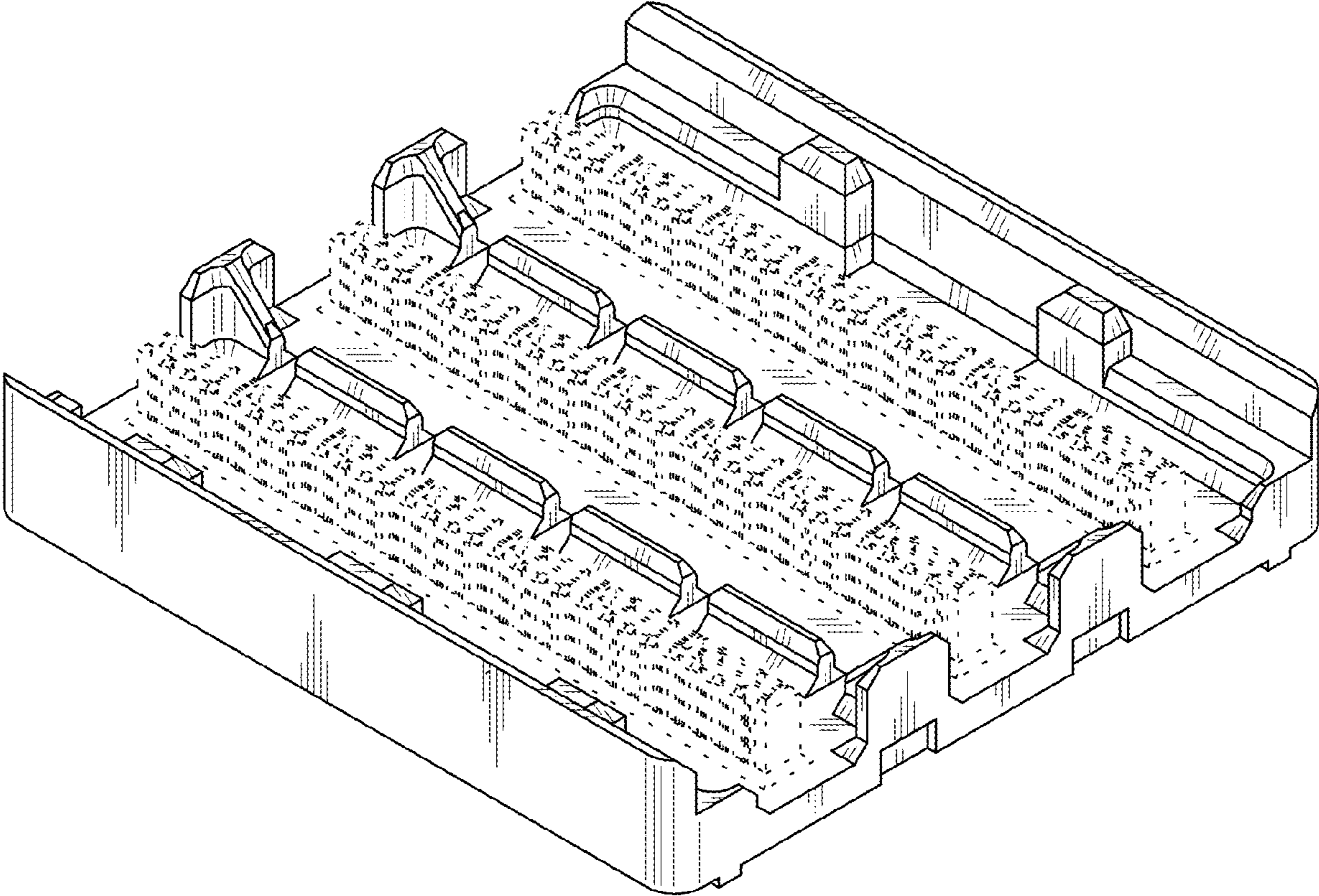


FIG. 2

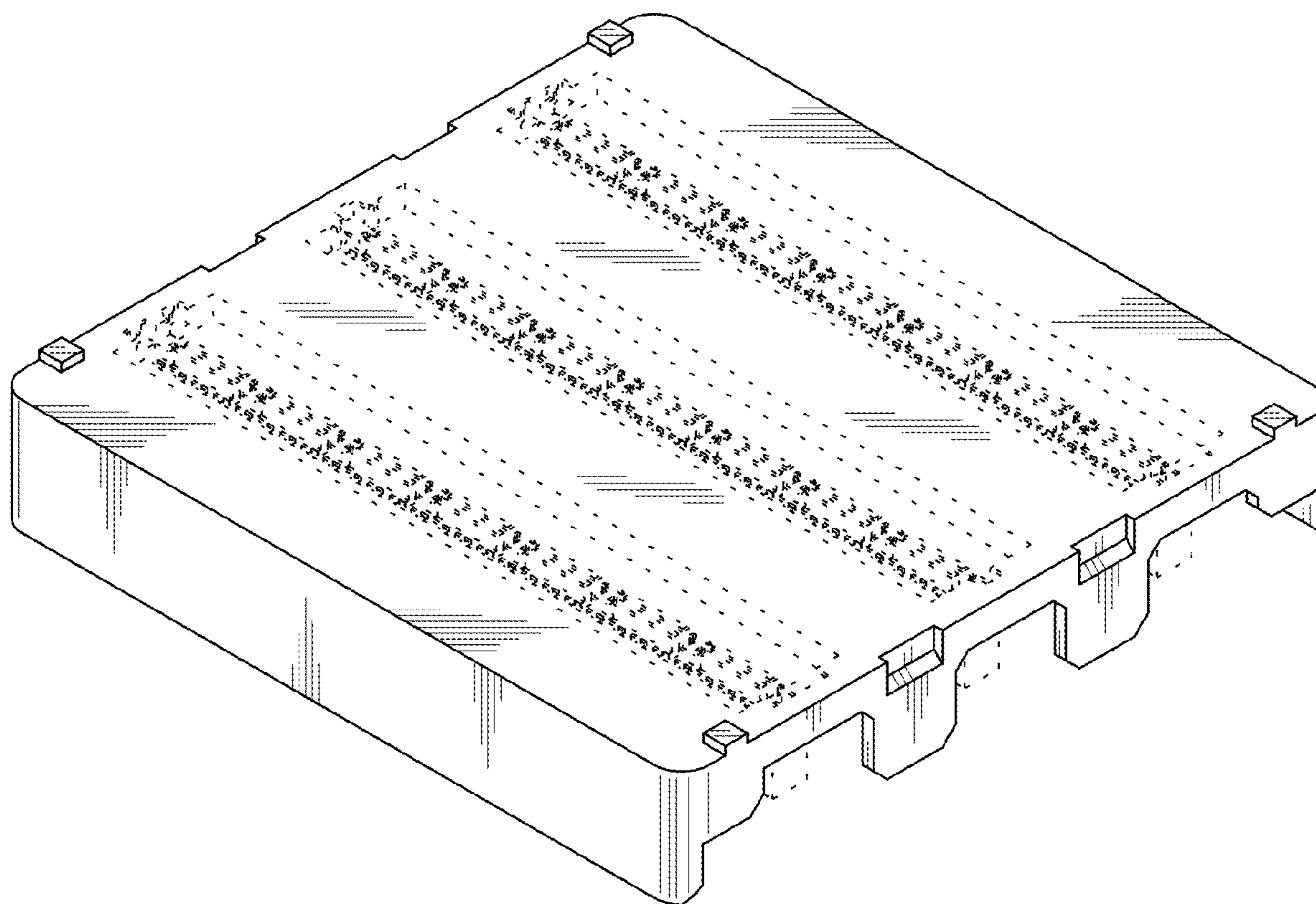


FIG. 3

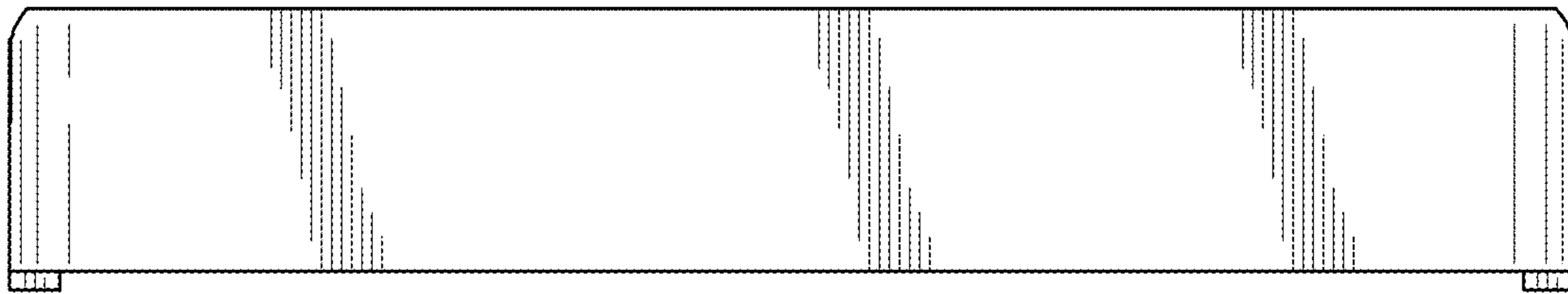


FIG. 4

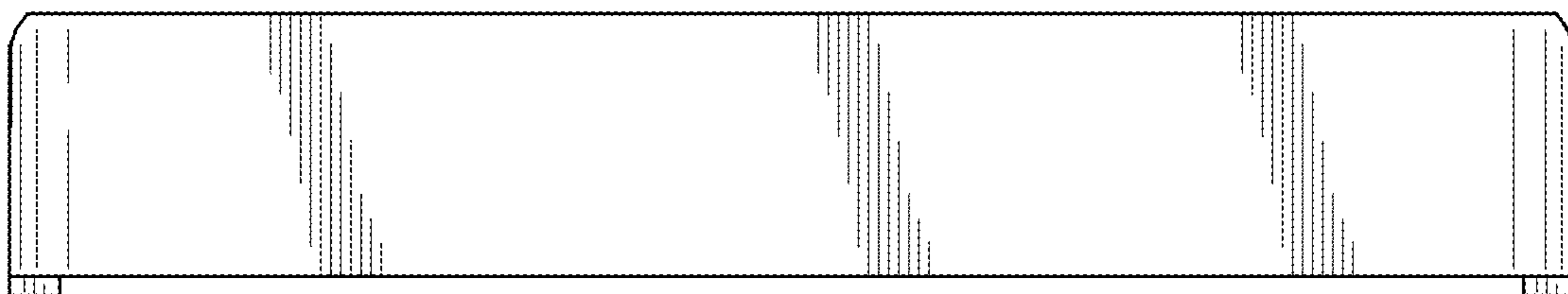


FIG. 5

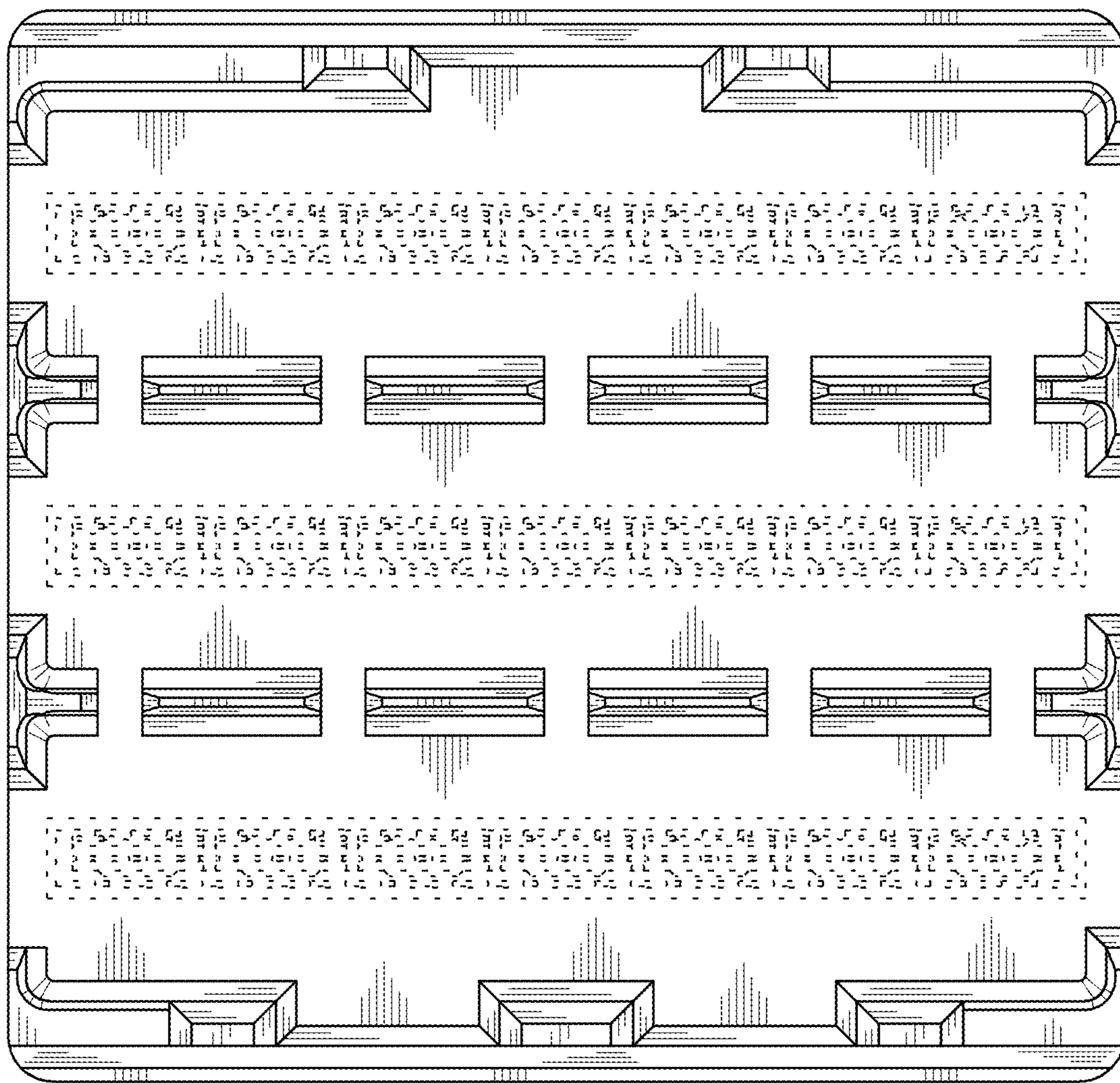


FIG. 6



FIG. 7

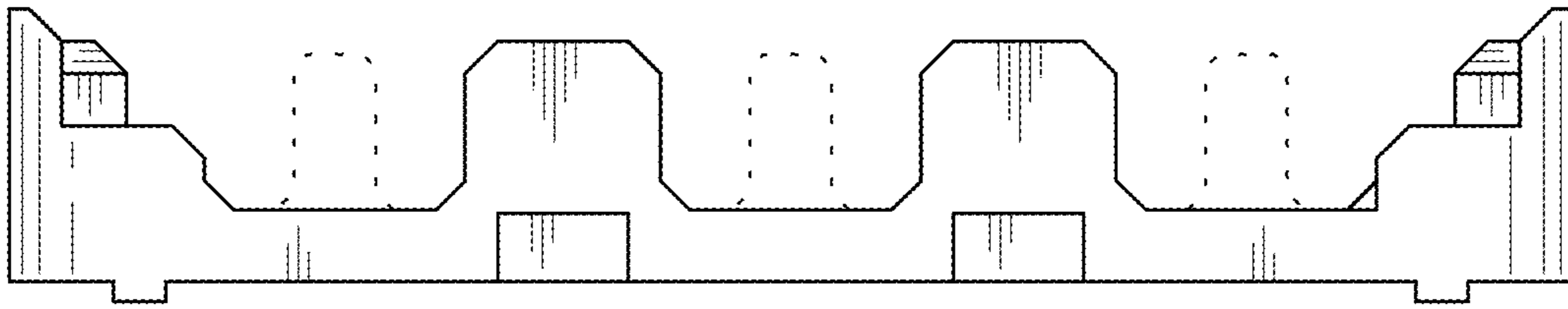


FIG. 8

