

US00D949798S

(12) **United States Design Patent**
Musser et al.

(10) **Patent No.:** **US D949,798 S**
(45) **Date of Patent:** **** Apr. 26, 2022**

(54) **CONNECTOR**

(71) Applicant: **Samtec, Inc.**, New Albany, IN (US)

(72) Inventors: **Randall E. Musser**, New Albany, IN (US); **Jonathan E. Buck**, New Albany, IN (US)

(73) Assignee: **SAMTEC, INC.**, New Albany, IN (US)

(**) Term: **15 Years**

(21) Appl. No.: **29/716,202**

(22) Filed: **Dec. 6, 2019**

(51) **LOC (13) Cl.** **13-03**

(52) **U.S. Cl.**
USPC **D13/147**

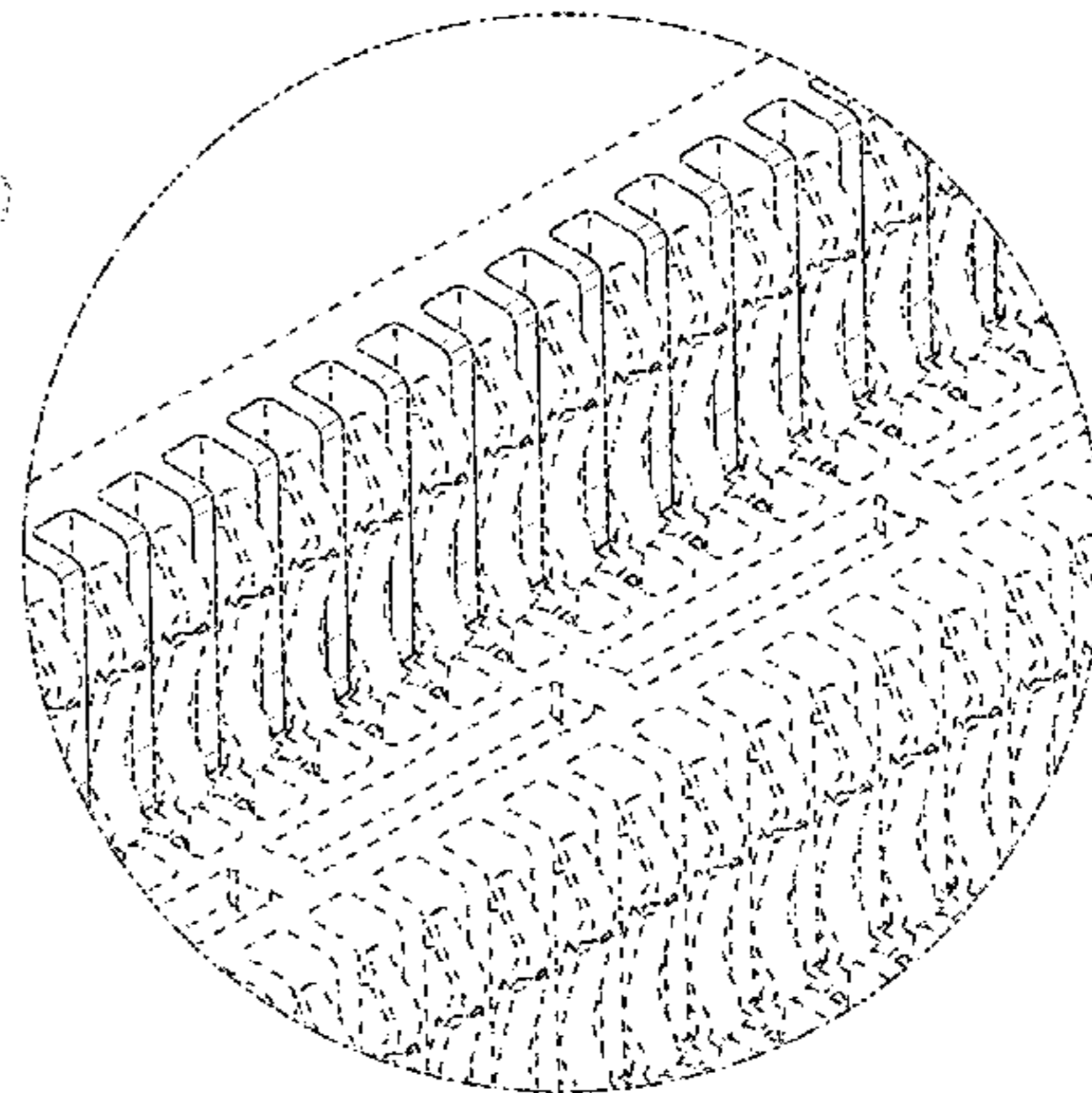
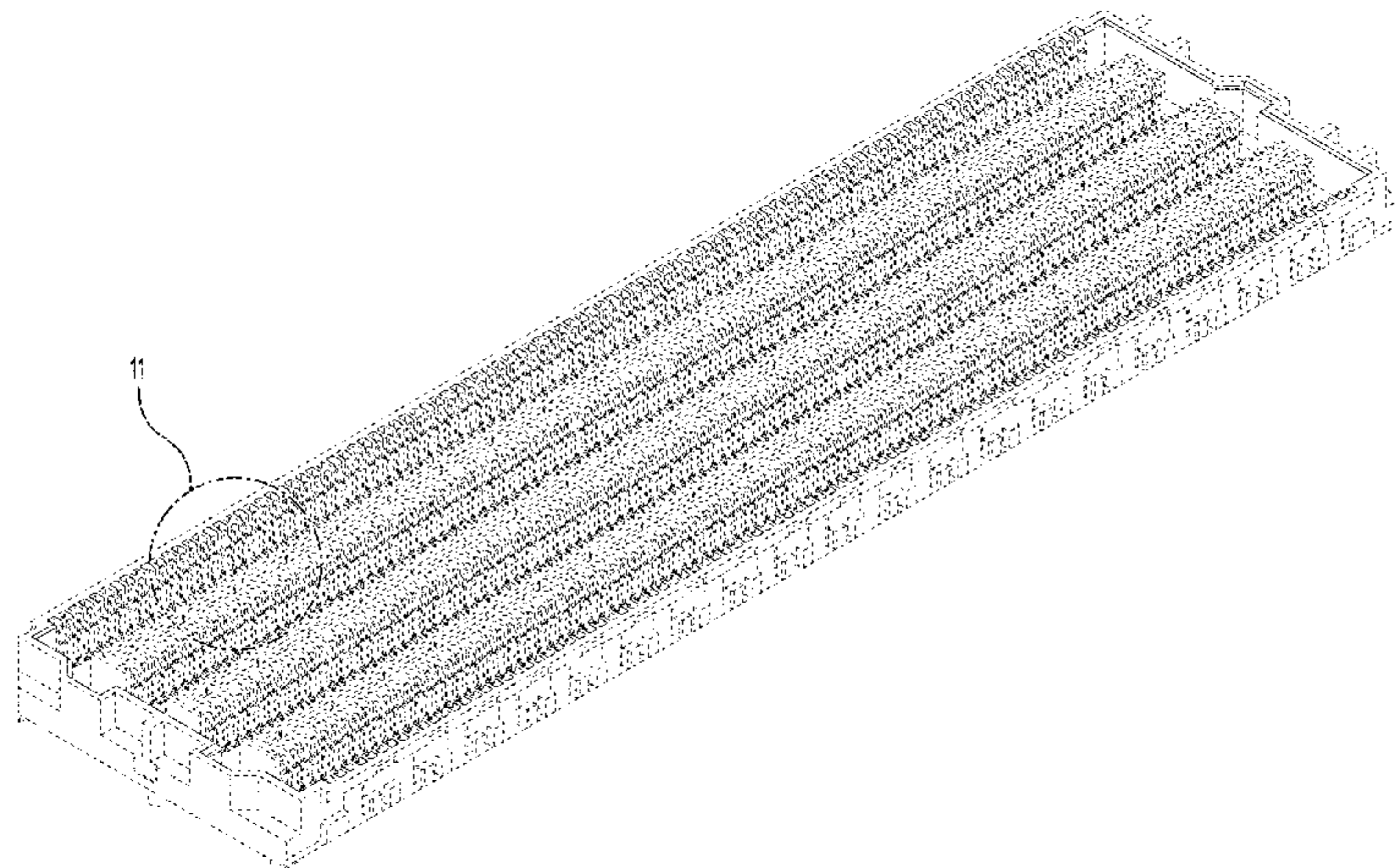
(58) **Field of Classification Search**
USPC D13/103, 107, 110, 112, 118, 120, 121, D13/123, 133, 137.1, 145-147, 149-156, D13/158, 173, 177, 184, 199, 242; D14/240, 242, 432-435, 435.1, 436-438
CPC H01R 13/73; H01R 12/716; H01R 12/57; H01R 12/585; H01R 12/7076; H01R 12/737; H01R 13/52; H01R 13/506; H01R 13/6585; H01R 13/648; H01R 13/212; H01R 13/2464; H01R 13/2492; H01R 13/26; H01R 13/28; H01R 13/434; H01R 13/4362; H01R 13/4534; H01R 13/508; H01R 13/5804; H01R 13/5816; H01R 13/6271; H01R 13/635; H01R 13/6599; H01R 13/6598; H01R 13/6594; H01R 13/04; H01R 13/6586; H01R 13/6461; H01R 13/6473; H01R 13/6474; H01R 13/6587

See application file for complete search history.

5,655,914 A *	8/1997	McCartin	H01R 12/57	439/374
D407,690 S	4/1999	Lai et al.		
6,086,403 A *	7/2000	Po	H01R 12/73	439/374
6,135,781 A	10/2000	Pope et al.		
D451,885 S	12/2001	Hisatomi et al.		
6,343,951 B1	2/2002	Ono et al.		
D455,127 S	4/2002	Wu		
6,634,894 B1	10/2003	Ko		
6,699,048 B2	3/2004	Johnson et al.		
6,702,590 B2	3/2004	Zaderej et al.		
D489,039 S	4/2004	Kawase et al.		
D489,687 S	5/2004	Kawase et al.		
6,746,281 B1	6/2004	Zhang		
D500,740 S	1/2005	Fan		
D505,920 S	6/2005	Moritake		
6,918,776 B2	7/2005	Spink, Jr.		
D517,495 S	3/2006	Fan		
D561,696 S	2/2008	Chen et al.		
7,341,482 B2	3/2008	Ngo		
7,422,447 B2	9/2008	Daily et al.		
D678,843 S	3/2013	Faith		
D738,314 S *	9/2015	Buck	D13/147	
D871,345 S *	12/2019	Ashibu	D13/147	
D885,346 S *	5/2020	Ishida	D13/147	
D885,347 S *	5/2020	Ishida	D13/147	
D913,953 S *	3/2021	Ashibu	D13/147	
D918,843 S *	5/2021	Furukawa	D13/147	
D923,580 S *	6/2021	Oosaka	D13/147	
D928,718 S *	8/2021	Shimoji	D13/147	
D928,719 S *	8/2021	Shimoji	D13/147	
2003/0013325 A1	1/2003	Zaderej et al.		
2006/0178022 A1	8/2006	Liu		
2009/0130912 A1	5/2009	Shuey et al.		
2011/0201234 A1	8/2011	Long		
2011/0256763 A1	10/2011	De Geest et al.		
2012/0083155 A1	4/2012	Minich et al.		
2012/0094544 A1	4/2012	Sato et al.		
2012/0135630 A1 *	5/2012	Yoshimi	H01R 13/73	439/372
2012/0238145 A1	9/2012	Zhang et al.		
2012/0252232 A1 *	10/2012	Buck	H01R 12/737	439/55
2012/0322305 A1	12/2012	Uchiyama		
2013/0237069 A1 *	9/2013	Katsuse	H01R 9/223	439/76.2
2013/0316586 A1	11/2013	Nagamine		
2016/0064837 A1	3/2016	Yu et al.		
2016/0134057 A1	5/2016	Buck et al.		
2017/0125946 A1	5/2017	Horchler et al.		
2017/0288354 A1 *	10/2017	Lawrence	H01R 25/00	
2020/0067227 A1 *	2/2020	Gondo	H01R 13/508	

(56) **References Cited**
U.S. PATENT DOCUMENTS

4,647,130 A 3/1987 Blair et al.
5,618,191 A 4/1997 Chikano et al.



2021/0036465	A1*	2/2021	Tang	H01R 13/6471
2021/0075143	A1*	3/2021	Laurx	H01R 13/6471
2021/0083434	A1*	3/2021	Gailus	H01R 13/6474
2021/0098943	A1*	4/2021	Hayashi	H01R 13/6587
2021/0111506	A1*	4/2021	Kobayashi	H01R 12/716
2021/0143567	A1*	5/2021	Someya	H01R 12/716
2021/0175670	A1*	6/2021	Cartier, Jr.	H01R 13/6599
2021/0184383	A1*	6/2021	Ito	H01R 13/514

FOREIGN PATENT DOCUMENTS

CN	2508424	Y	8/2002
CN	1529924	A	9/2004
CN	2772061	Y	4/2006
CN	201639018	U	11/2010
CN	102832492	A	12/2012
CN	103427204	A	12/2013
CN	105449427	A	3/2016
EP	1 544 949	A1	6/2005
JP	2002-083637	A	3/2002
JP	2009-059671	A	3/2009
JP	2014-165029	A	9/2014
TW	D163688	S	10/2014
TW	I558026	B	11/2016
TW	D197460	S	5/2019
TW	D197461	S	5/2019
TW	D198415	S	7/2019
TW	D198416	S	7/2019
TW	D199668	S	9/2019
TW	M589915	U	1/2020

OTHER PUBLICATIONS

Samtec Blog. New COM-HPC Connector and Other Reasons to Visit EWD. Feb. 18, 2021. <https://blog.samtec.com/post/new-com-hpc-connector-and-other-reasons-to-visit-ewd/> (Year: 2021).*

Samtec Blog. Connector Selection 101. Aug. 29, 2017. <https://blog.samtec.com/post/connector-selection-101/> (Year: 2017).*

Official Communication issued in Taiwanese Patent Application No. 108123806, dated May 5, 2020.

Official Communication issued in International Patent Application No. PCT/US2020/062389, dated Mar. 22, 2021.

Samtec, “0.8MM Edge Rate Socket Assembly”, DWG. No. ERF8-XXX-XX.X-XXX-DV-XXXX-XX, Sep. 26, 2005, 7 pages.

Samtec, “0.8MM Edge Rate Terminal Assembly”, DWG. No. ERM8-XXX-XX.X-XXX-DV-XXXX-XX, Sep. 27, 2005, 7 pages.

Official Communication issued in corresponding Taiwanese Patent Application No. 108123806, dated Nov. 20, 2020.

Musser et al., “Connector With Top- and Bottom-Stitched Contacts”, U.S. Appl. No. 17/056,486, filed Nov. 18, 2020.

Musser et al., “Connector”, U.S. Appl. No. 29/773,719, filed Mar. 11, 2021.

Musser et al., “Contact”, U.S. Appl. No. 29/773,721, filed Mar. 11, 2021.

Musser et al., “Contact”, U.S. Appl. No. 29/773,722, filed Mar. 11, 2021.

Musser et al., “Connector”, U.S. Appl. No. 29/773,723, filed Mar. 11, 2021.

Musser et al., “Connector”, U.S. Appl. No. 29/773,724, filed Mar. 11, 2021.

Musser et al., “Connector”, U.S. Appl. No. 29/773,725, filed Mar. 11, 2021.

Official Communication issued in corresponding Taiwanese Patent Application No. 109305929, dated Feb. 2, 2021.

Official Communication issued in corresponding Taiwanese Patent Application No. 109305930, dated Feb. 2, 2021.

Official Communication issued in corresponding Taiwanese Patent Application No. 109305931, dated Feb. 3, 2021.

Official Communication issued in corresponding Taiwanese Patent Application No. 109300858, dated Feb. 5, 2021.

Official Communication issued in corresponding Taiwanese Patent Application No. 109305927, dated Feb. 2, 2021.

Official Communication issued in corresponding Taiwanese Patent Application No. 109305928, dated Feb. 2, 2021.

Musser et al., “Contact”, U.S. Appl. No. 29/759,286, filed Nov. 20, 2020.

Musser, et al., “Contact”; U.S. Appl. No. 29/655,784, filed Jul. 6, 2018.

Musser, et al., “Contact”; U.S. Appl. No. 29/655,786, filed Jul. 6, 2018.

Musser, et al., “Connector and Contact”; U.S. Appl. No. 29/652,012, filed Nov. 5, 2018.

Musser, et al., “Connector”; U.S. Appl. No. 29/652,014, filed Dec. 17, 2018.

Musser, et al., “Connector”; U.S. Appl. No. 29/652,015, filed Dec. 17, 2018.

Musser, et al., “Connector”; U.S. Appl. No. 29/709,518, filed Oct. 15, 2019.

Musser, et al., “Connector”; U.S. Appl. No. 29/716,201, filed Dec. 6, 2019.

Faith, et al.; U.S. Appl. No. 29/579,623, filed Sep. 30, 2016.

Samtec, “14 ROW .050 Pitch Socket Array ASSM.”, ASP-184329-01, Nov. 18, 2014, pp. 1-4.

Official Communication issued in corresponding Chinese Patent Application No. 201910602689.8, dated Aug. 23, 2021.

Official Communication issued in corresponding Taiwanese Patent Application No. 109142234, dated Sep. 16, 2021.

* cited by examiner

Primary Examiner — Darcey E Gottschalk
(74) Attorney, Agent, or Firm — Keating & Bennett, LLP

(57) CLAIM

The ornamental design for a connector, as shown and described.

DESCRIPTION

FIG. 1 is a top, front, and left side perspective view of a connector showing our new design;

FIG. 2 is a top, back, and left side perspective view thereof;

FIG. 3 is a top, front, and right side perspective view thereof;

FIG. 4 is a bottom, front, and left side perspective view thereof;

FIG. 5 is a front view thereof;

FIG. 6 is a back view thereof;

FIG. 7 is a right side view thereof;

FIG. 8 is a left side view thereof;

FIG. 9 is a top view thereof;

FIG. 10 is a bottom view thereof;

FIG. 11 is a close-up top, front, and left side perspective view thereof;

FIG. 12 is a close-up bottom, front, and left side perspective view thereof;

FIG. 13 is a top, front, and left side perspective view of a connector showing our new design;

FIG. 14 is a top, back, and left side perspective view thereof;

FIG. 15 is a top, front, and left side perspective view thereof;

FIG. 16 is a bottom, front, and right side perspective view thereof;

FIG. 17 is a left view thereof;

FIG. 18 is a right view thereof;

FIG. 19 is a back side view thereof;

FIG. 20 is a front side view thereof;

FIG. 21 is a top view thereof;

FIG. 22 is a bottom view thereof;

FIG. 23 is a close-up top, front, and left side perspective view of a connector showing our new design; and,

FIG. 24 is a close-up bottom, front, and right side perspective view thereof.

The broken lines in the drawing views are included to show unclaimed subject matter only and forms no part of the claimed design.

1 Claim, 19 Drawing Sheets

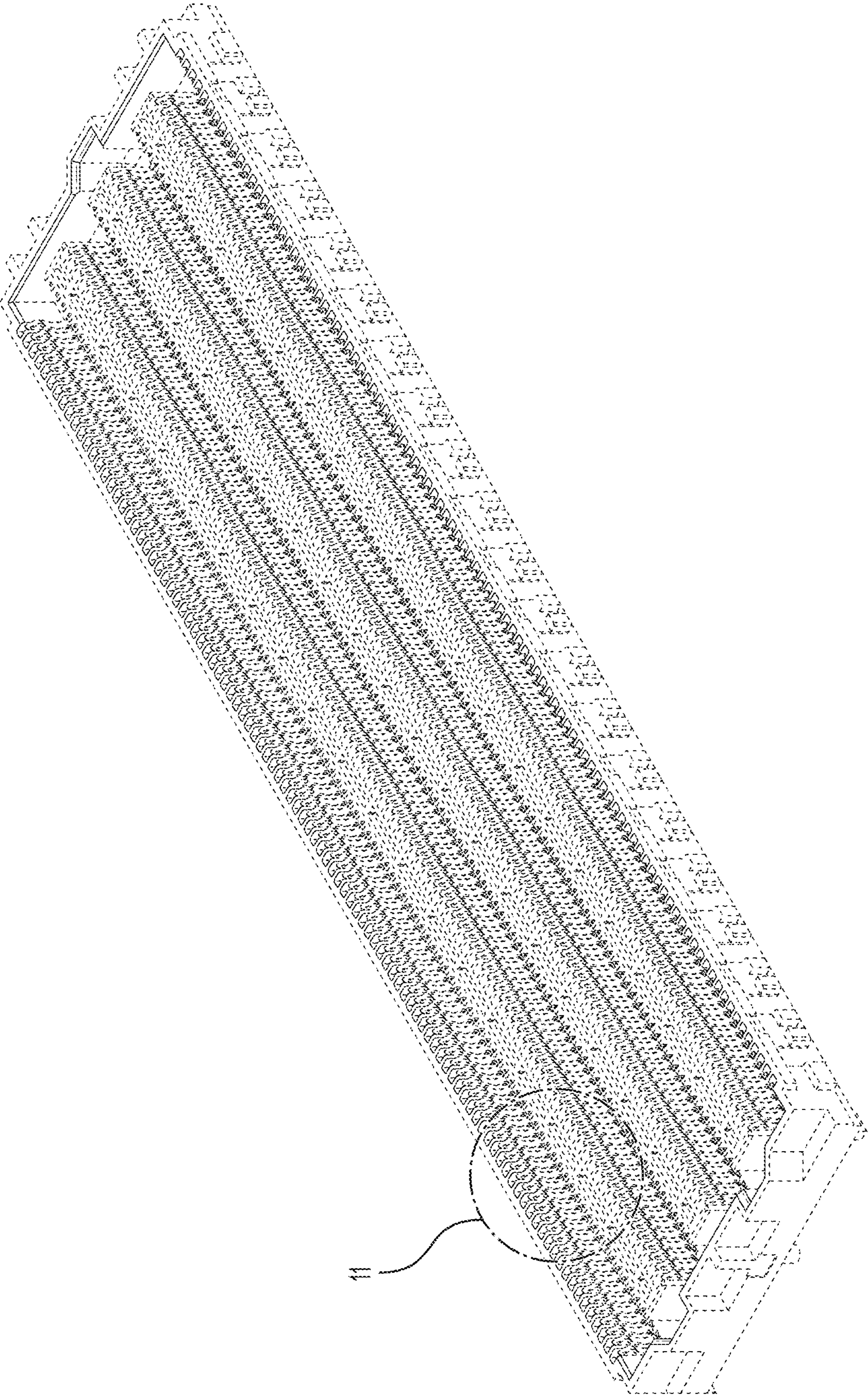


FIG. 1

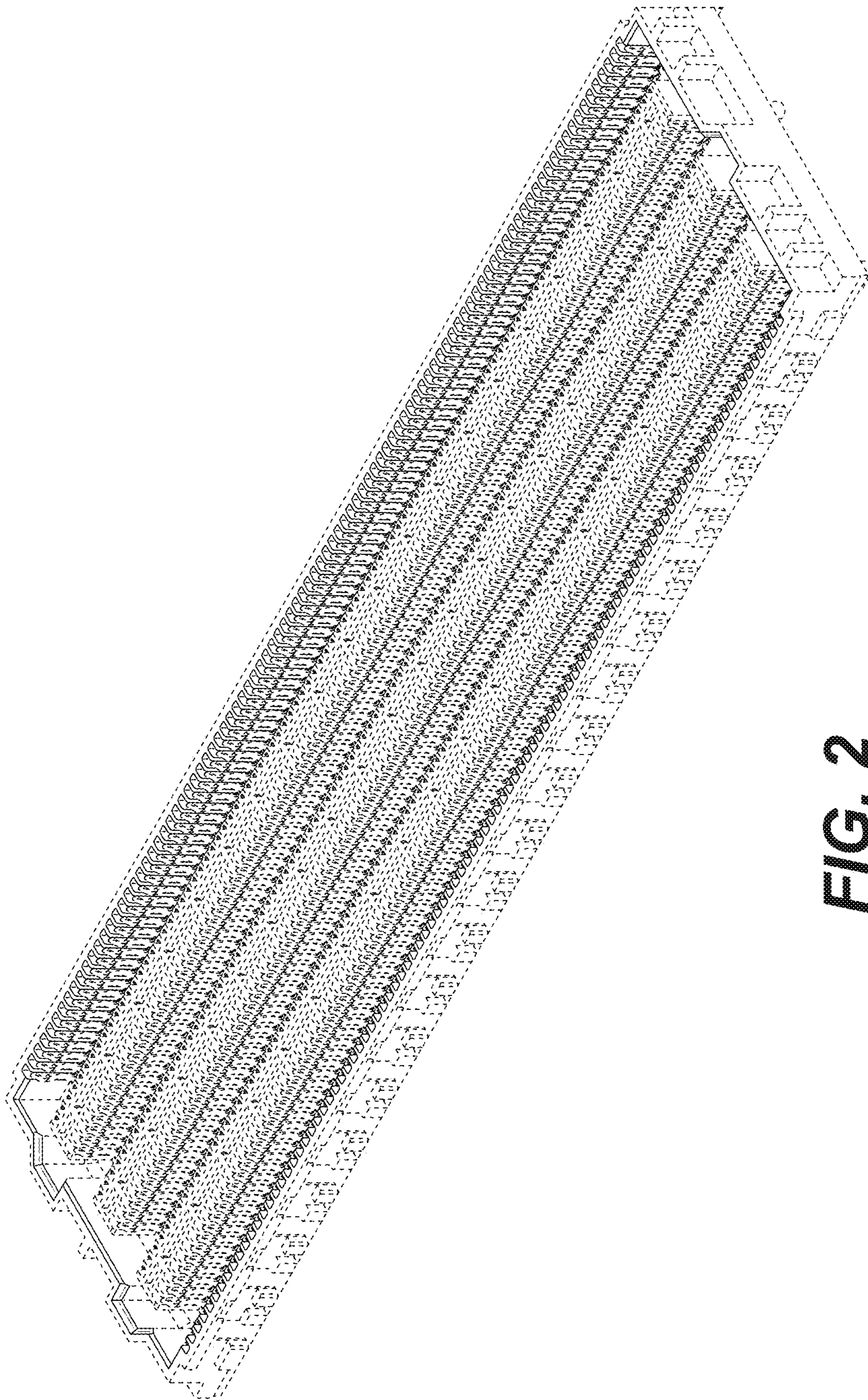


FIG. 2

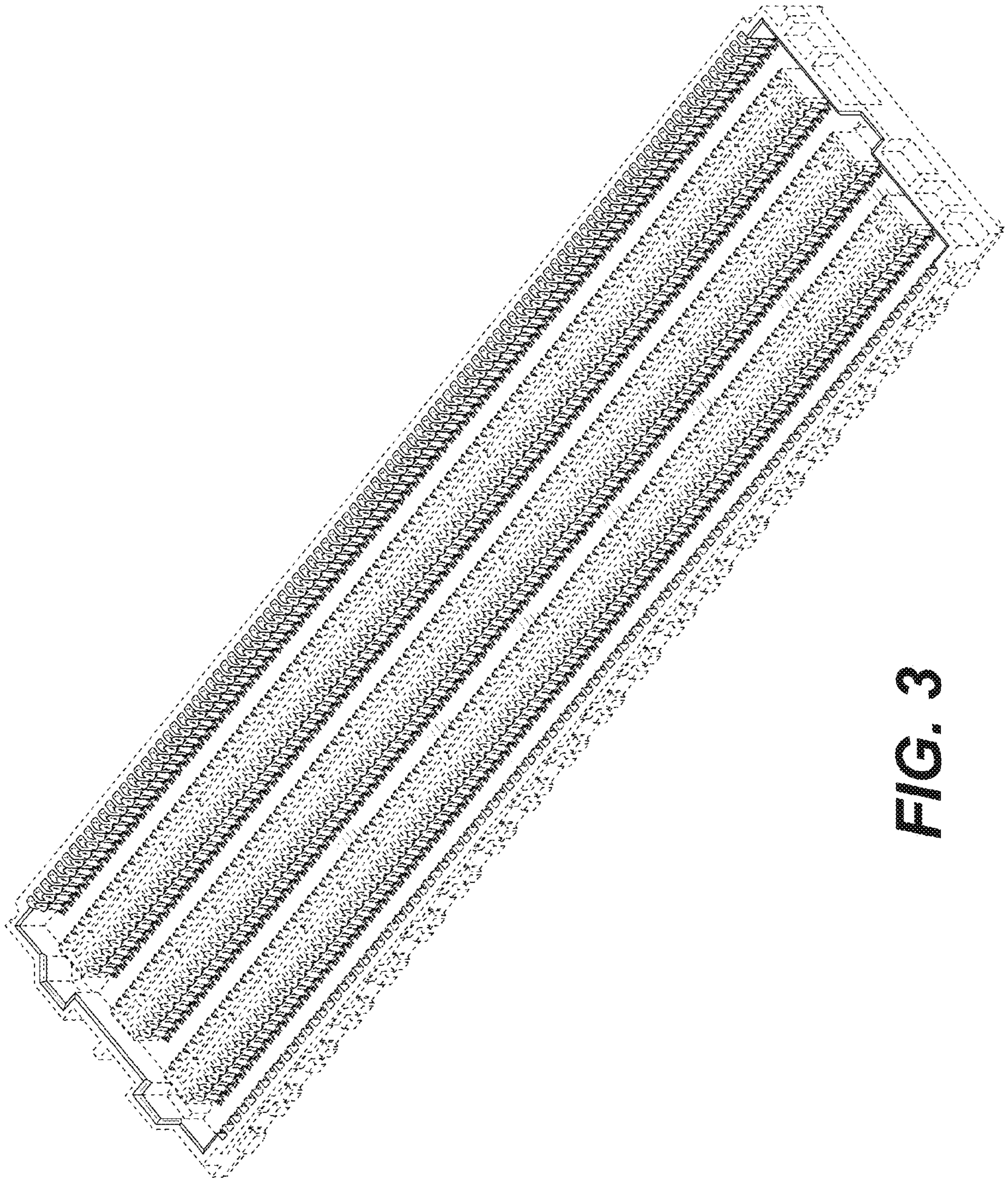


FIG. 3

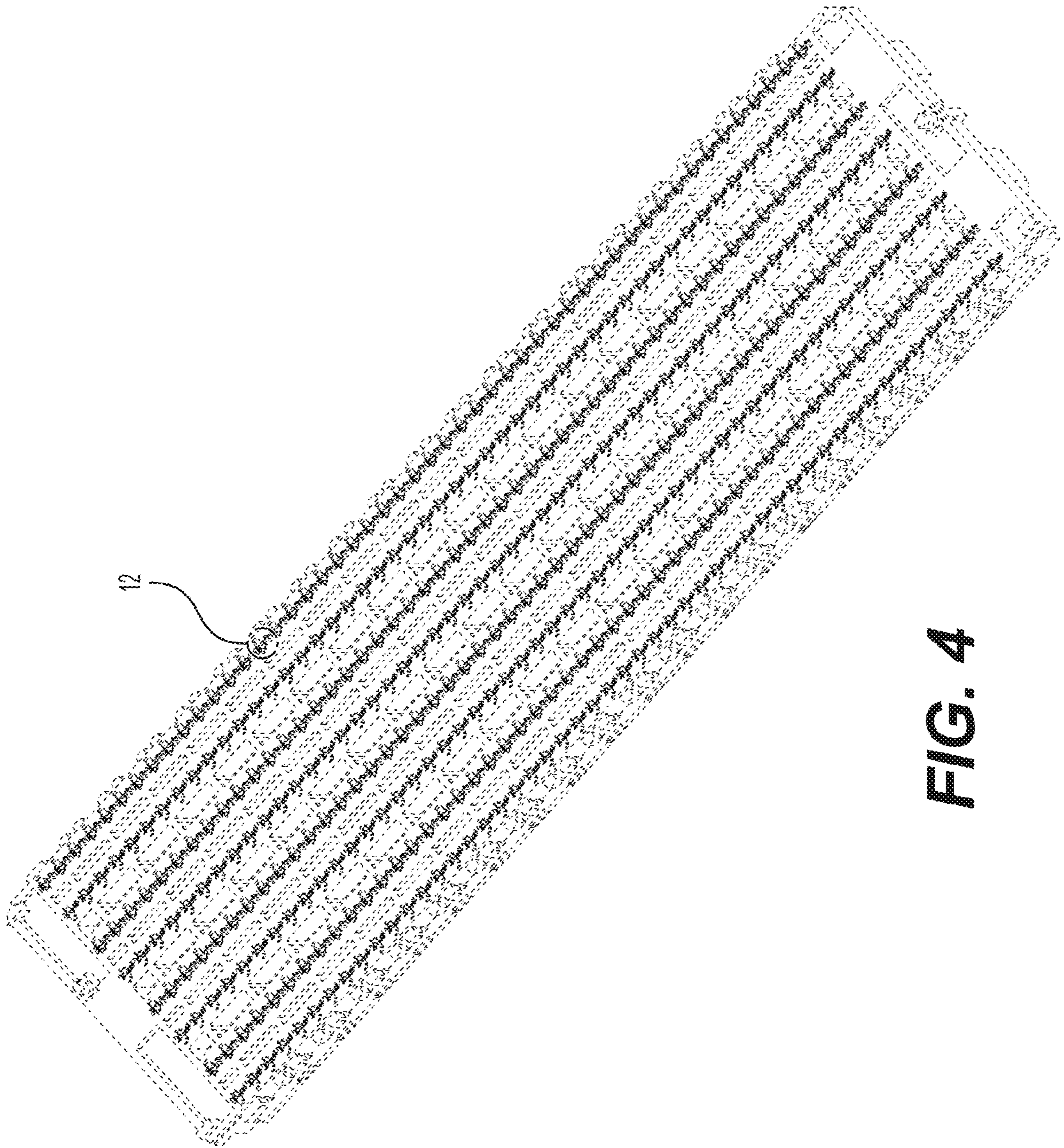


FIG. 4

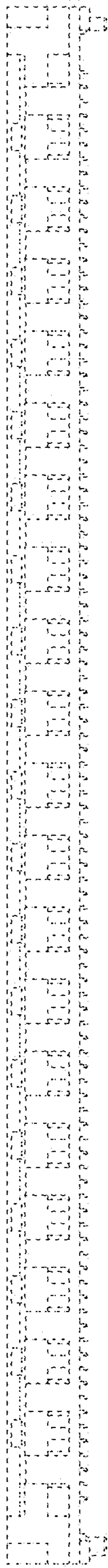


FIG. 5

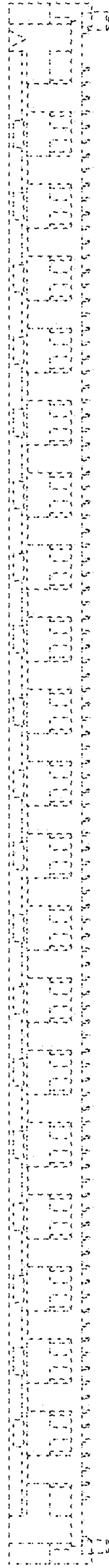


FIG. 6

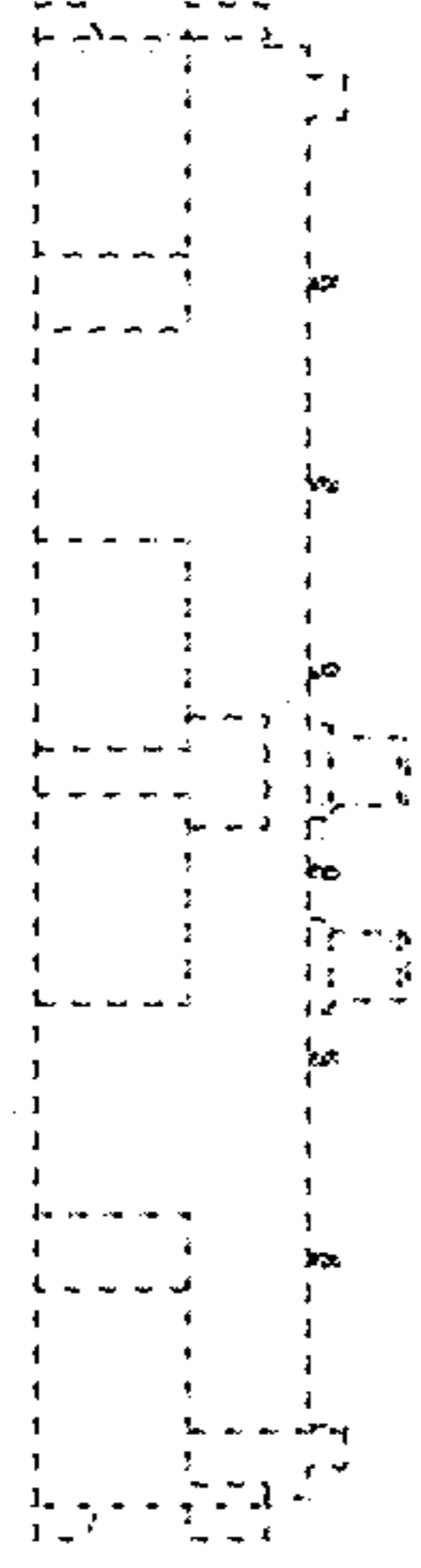


FIG. 7

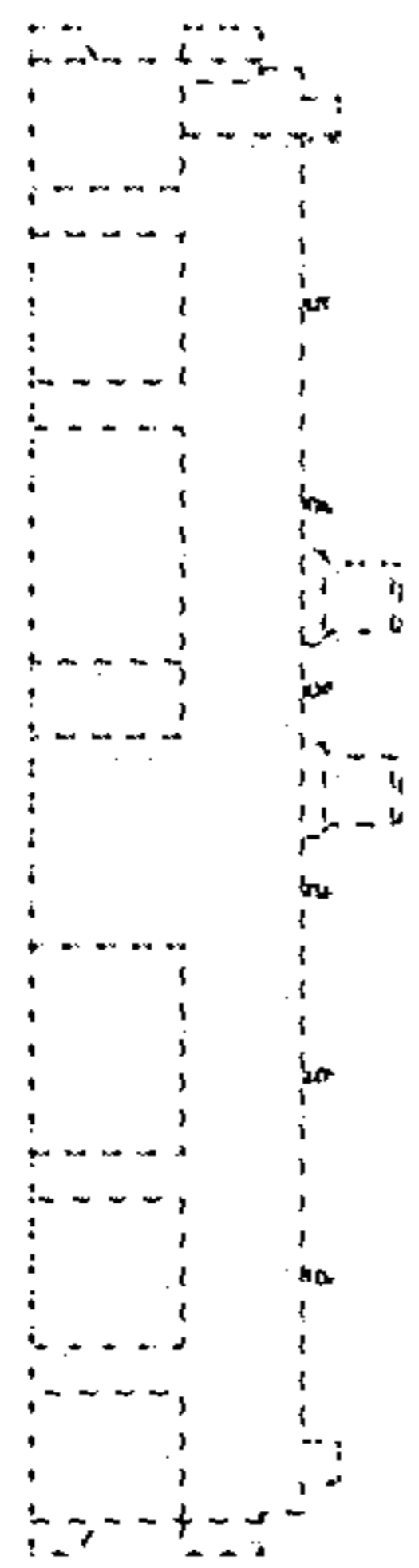


FIG. 8

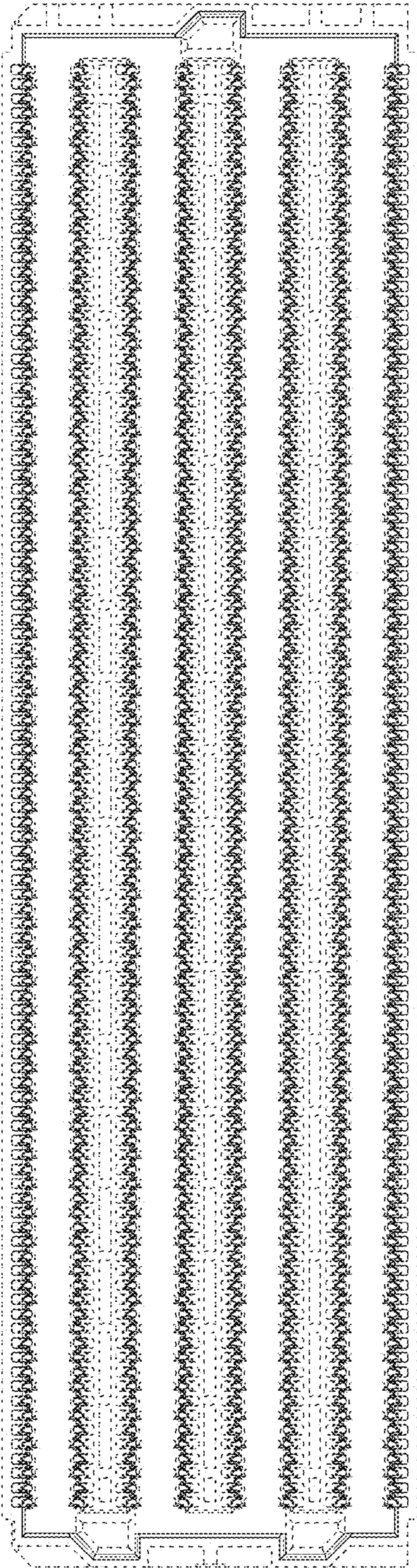


FIG. 9

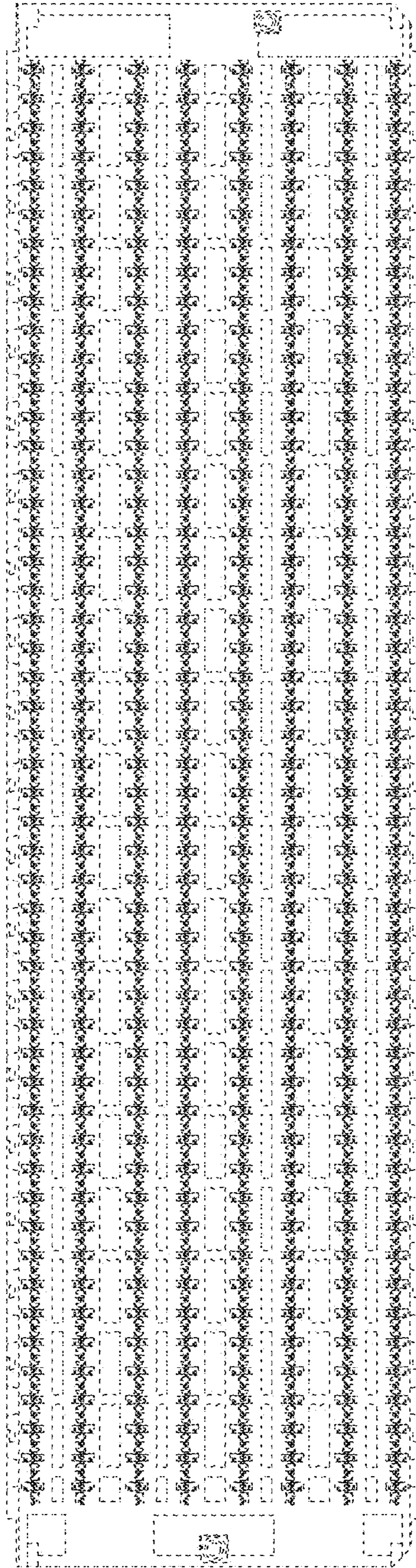


FIG. 10

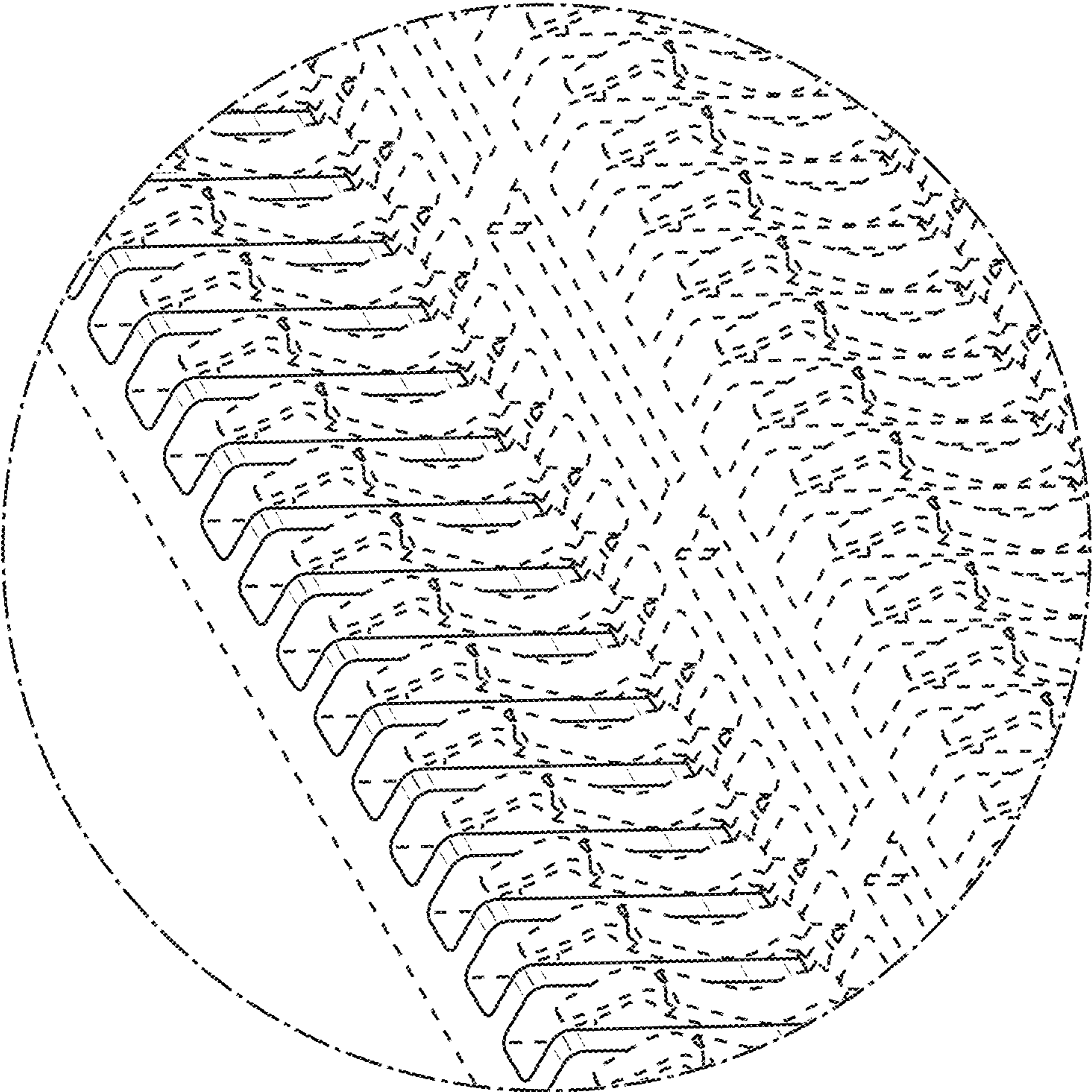


FIG. 11

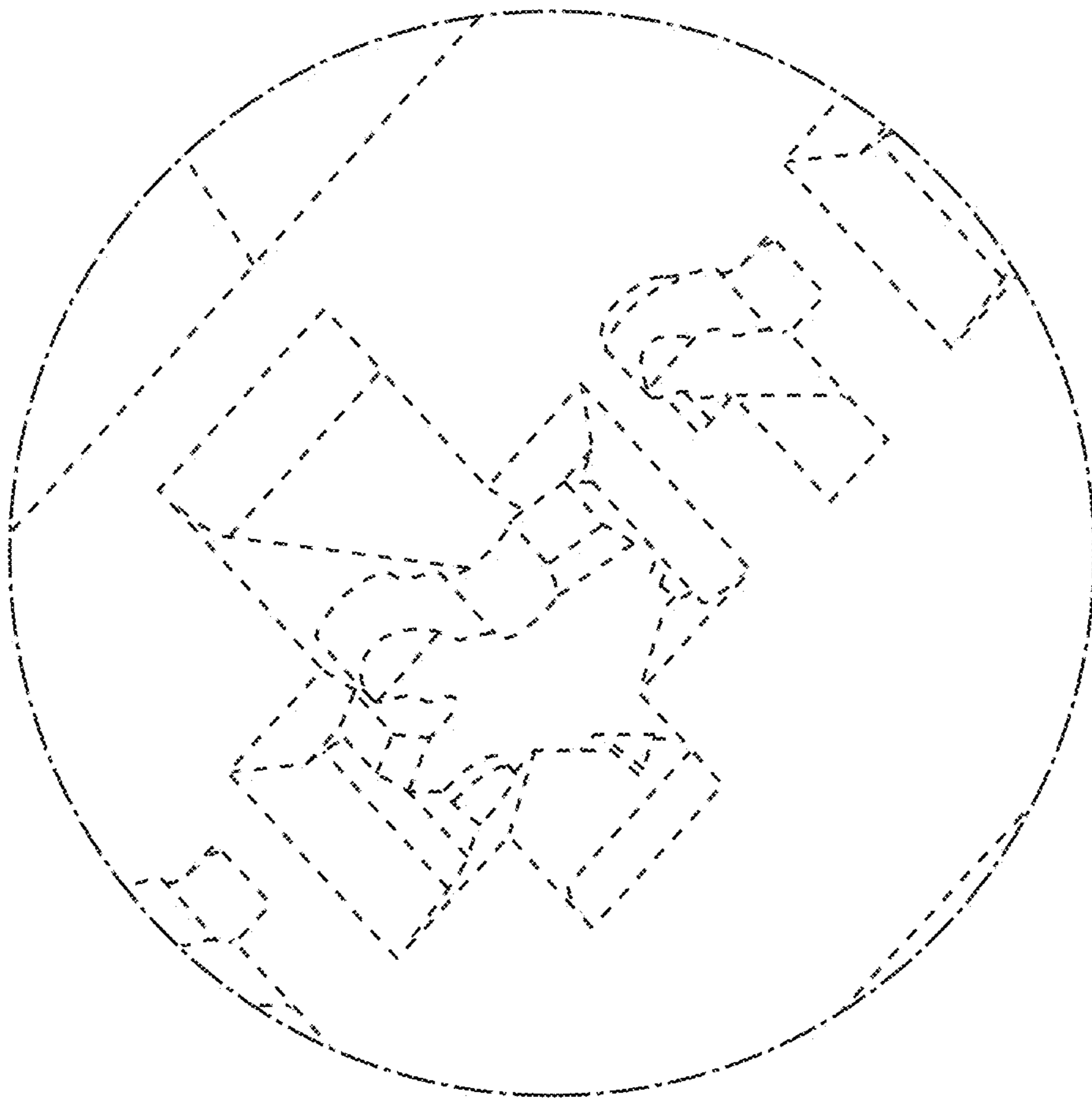


FIG. 12

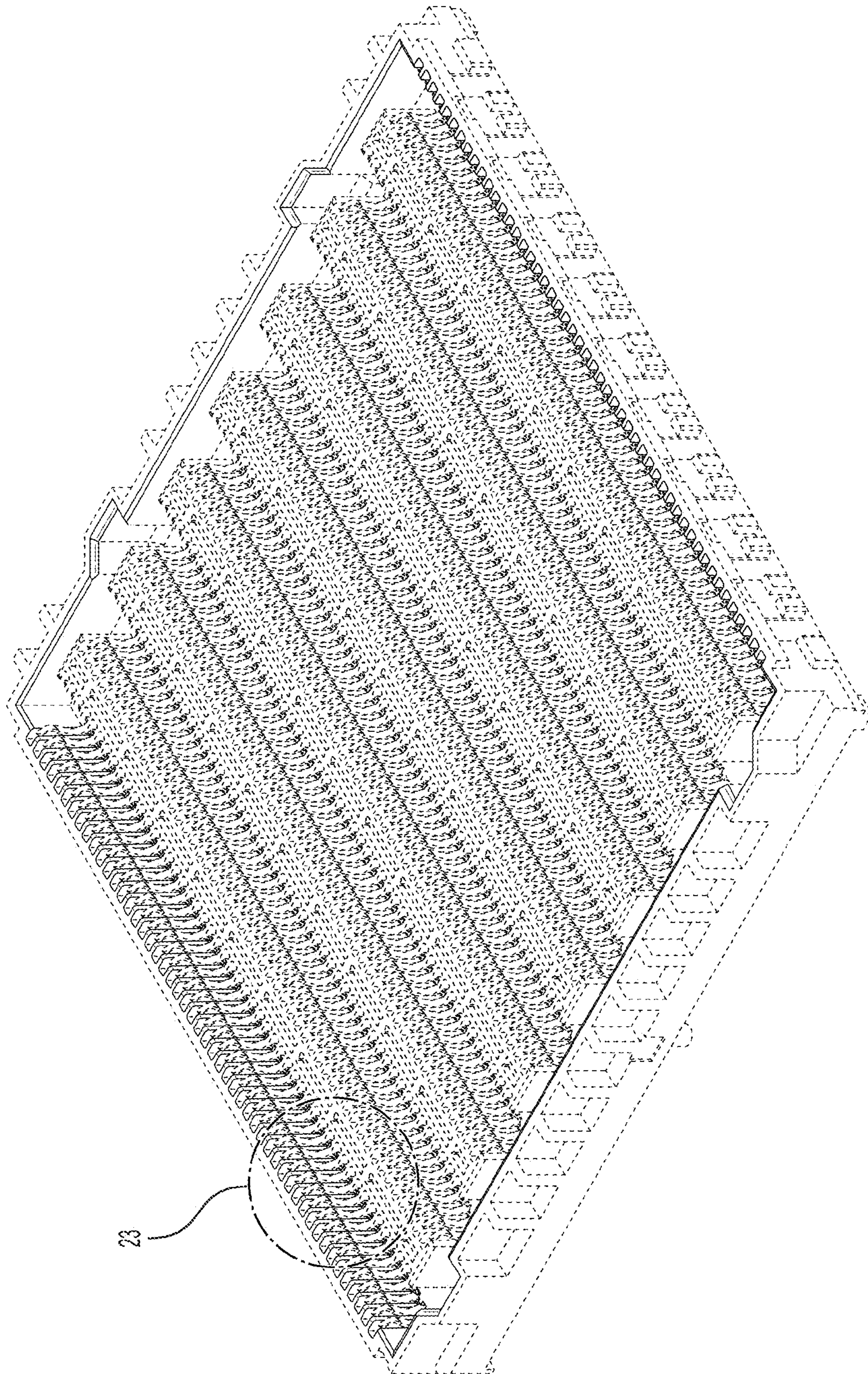


FIG. 13

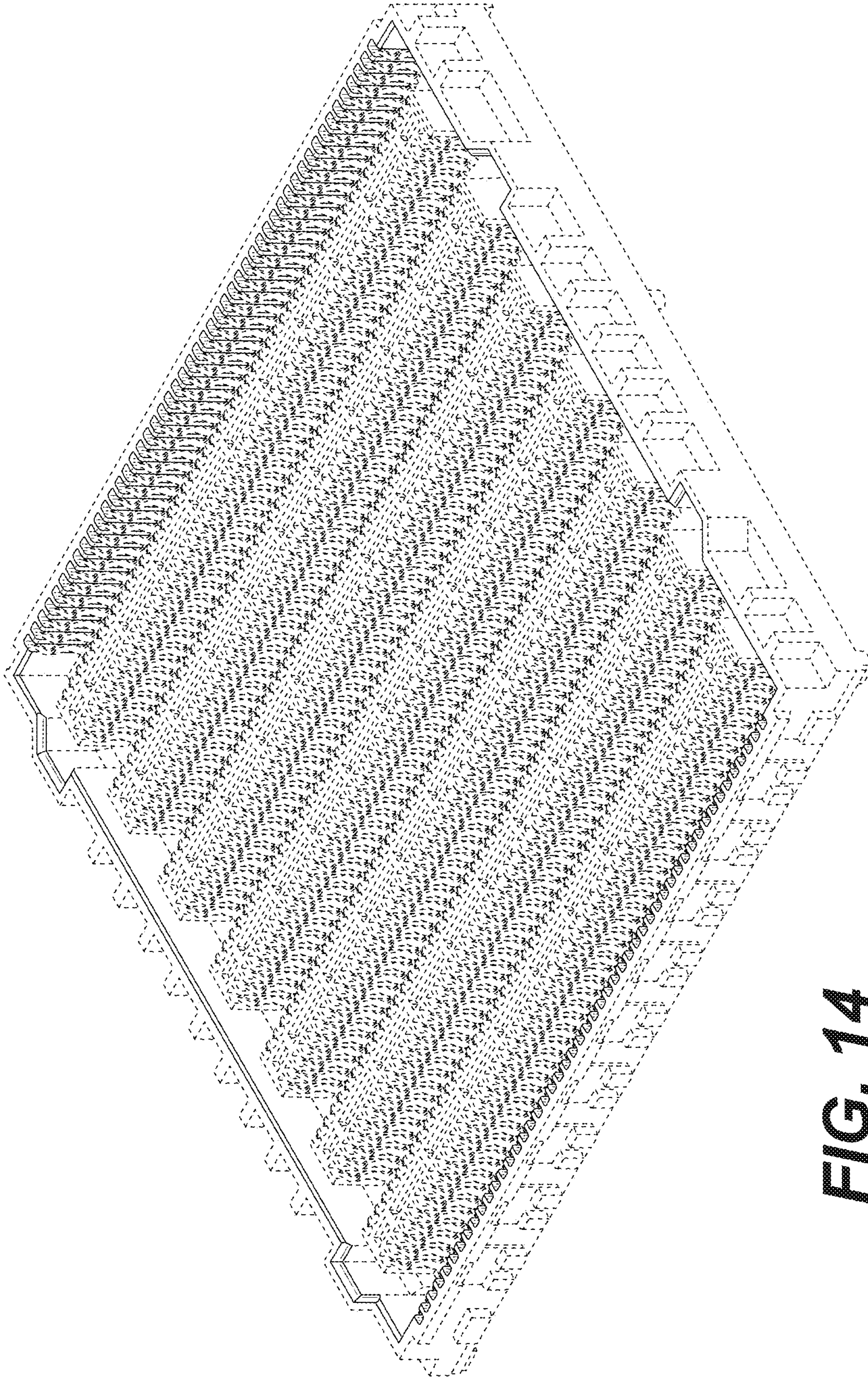


FIG. 14

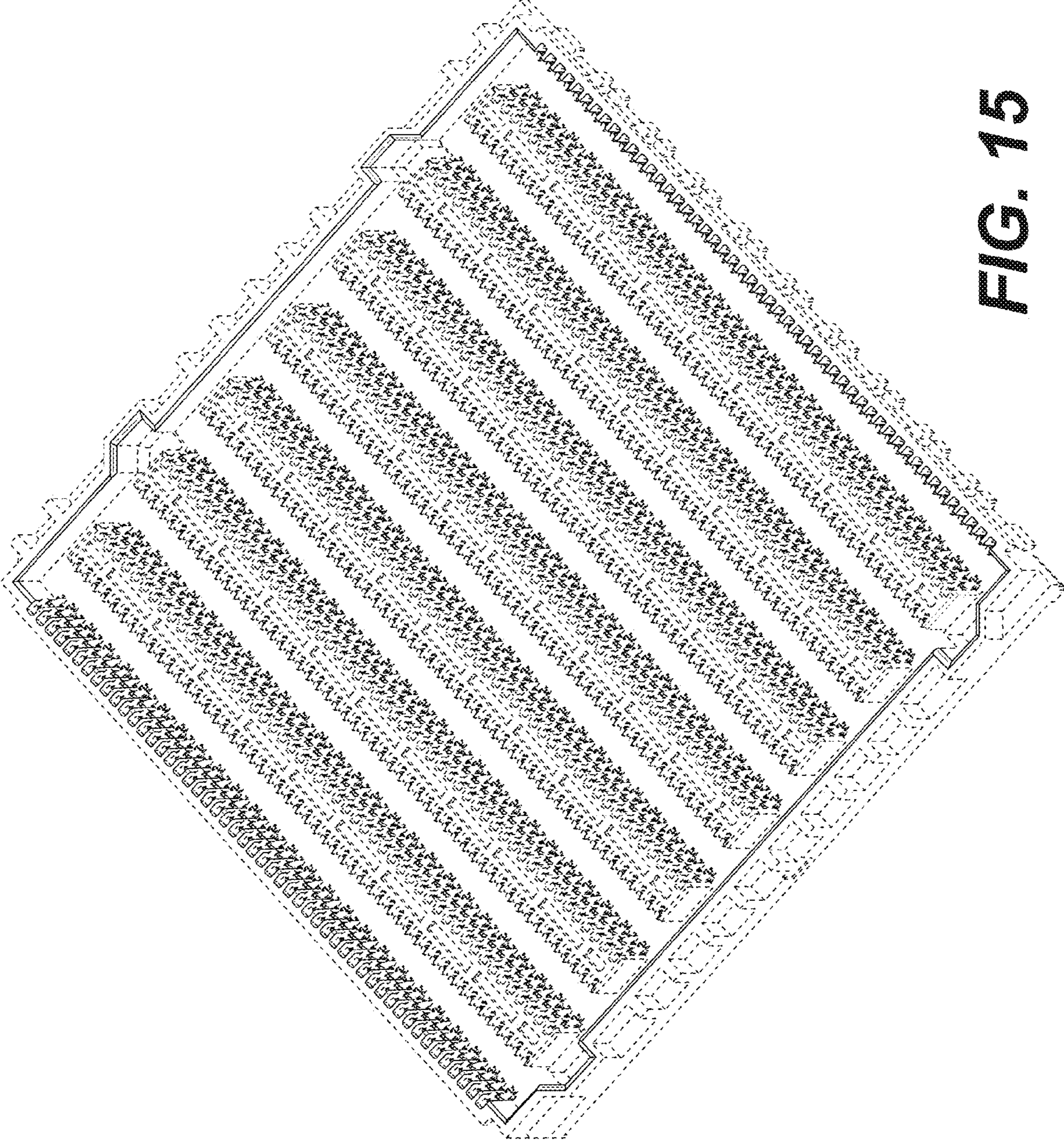


FIG. 15

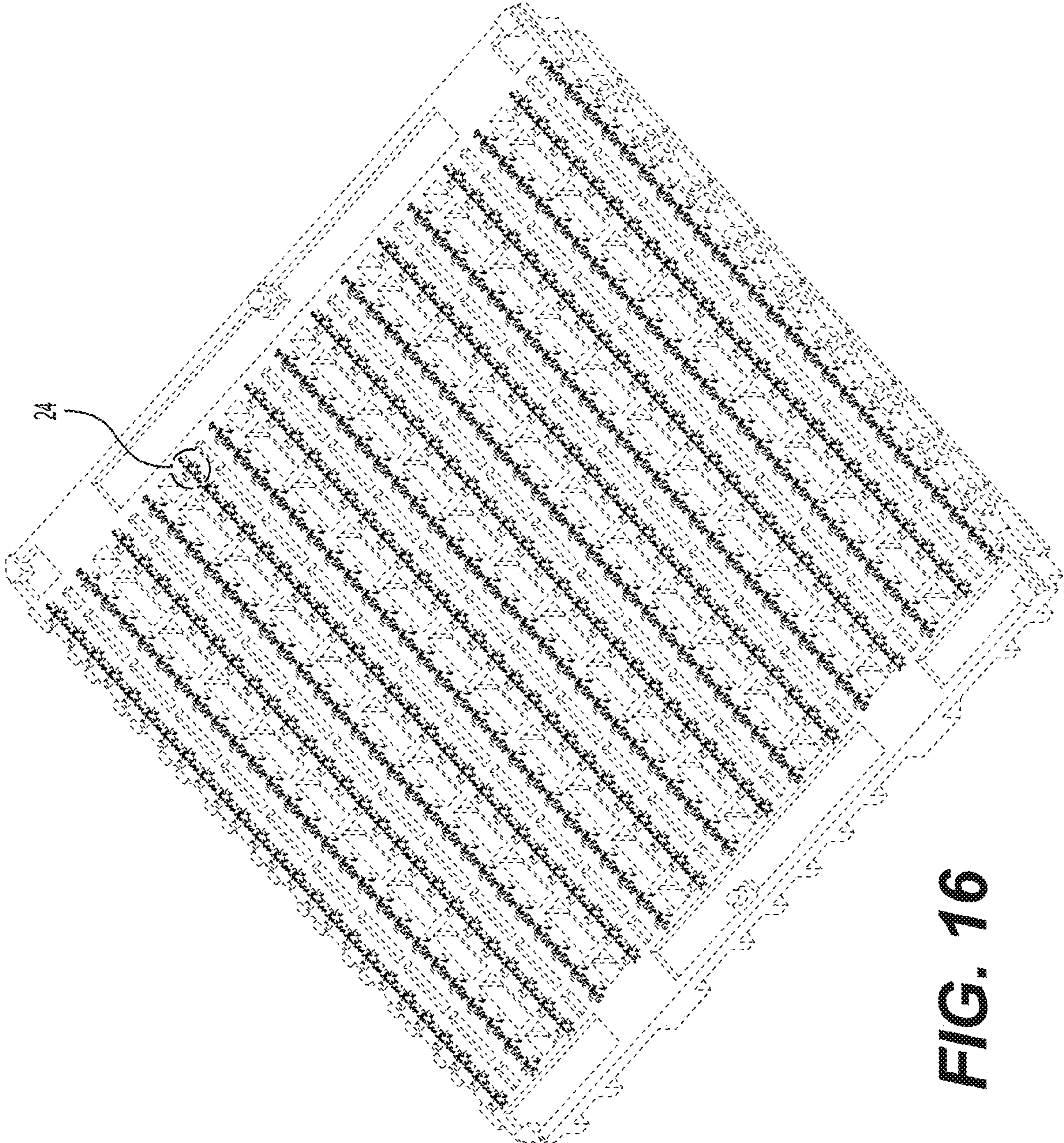


FIG. 16

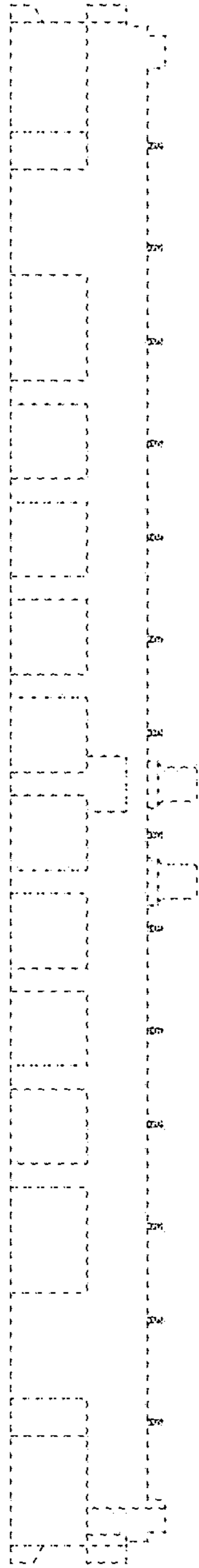


FIG. 17

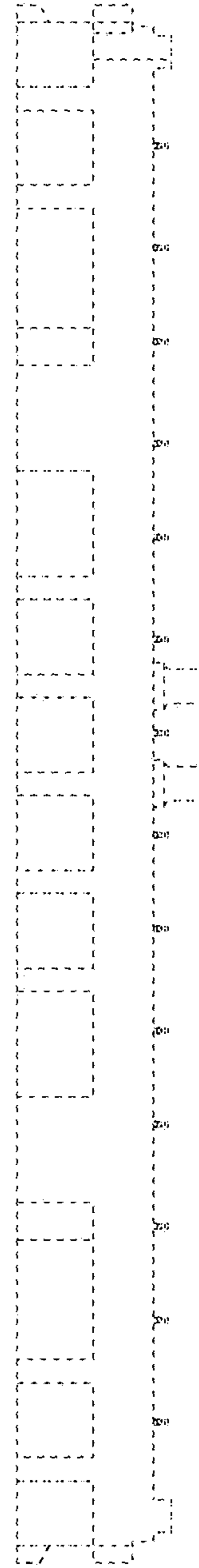


FIG. 18

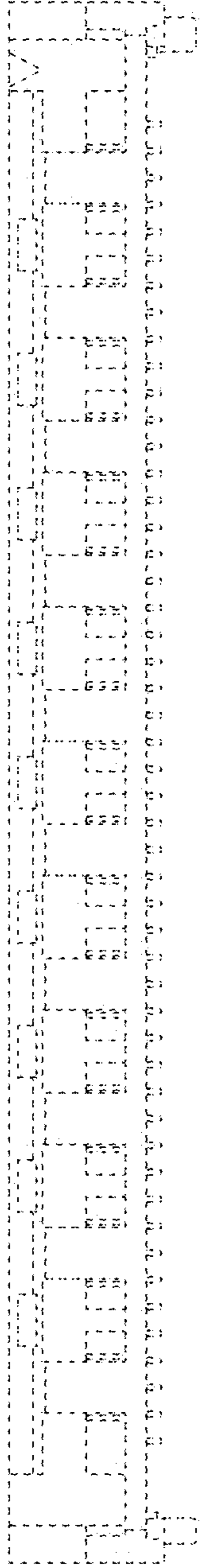


FIG. 19

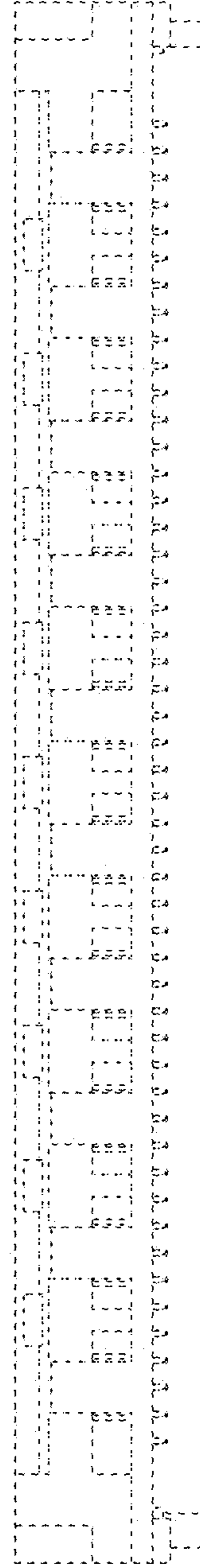


FIG. 20

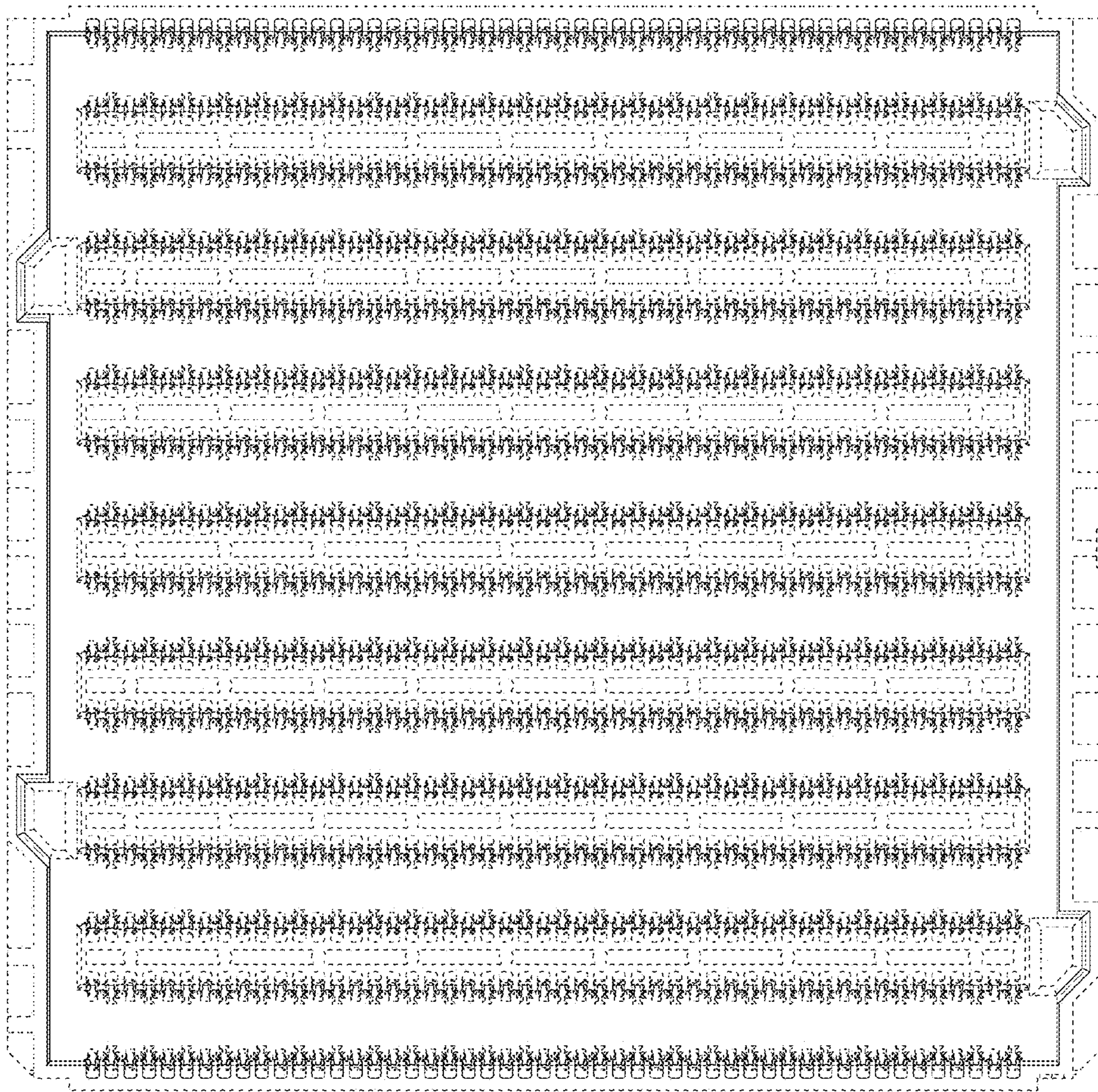


FIG. 21

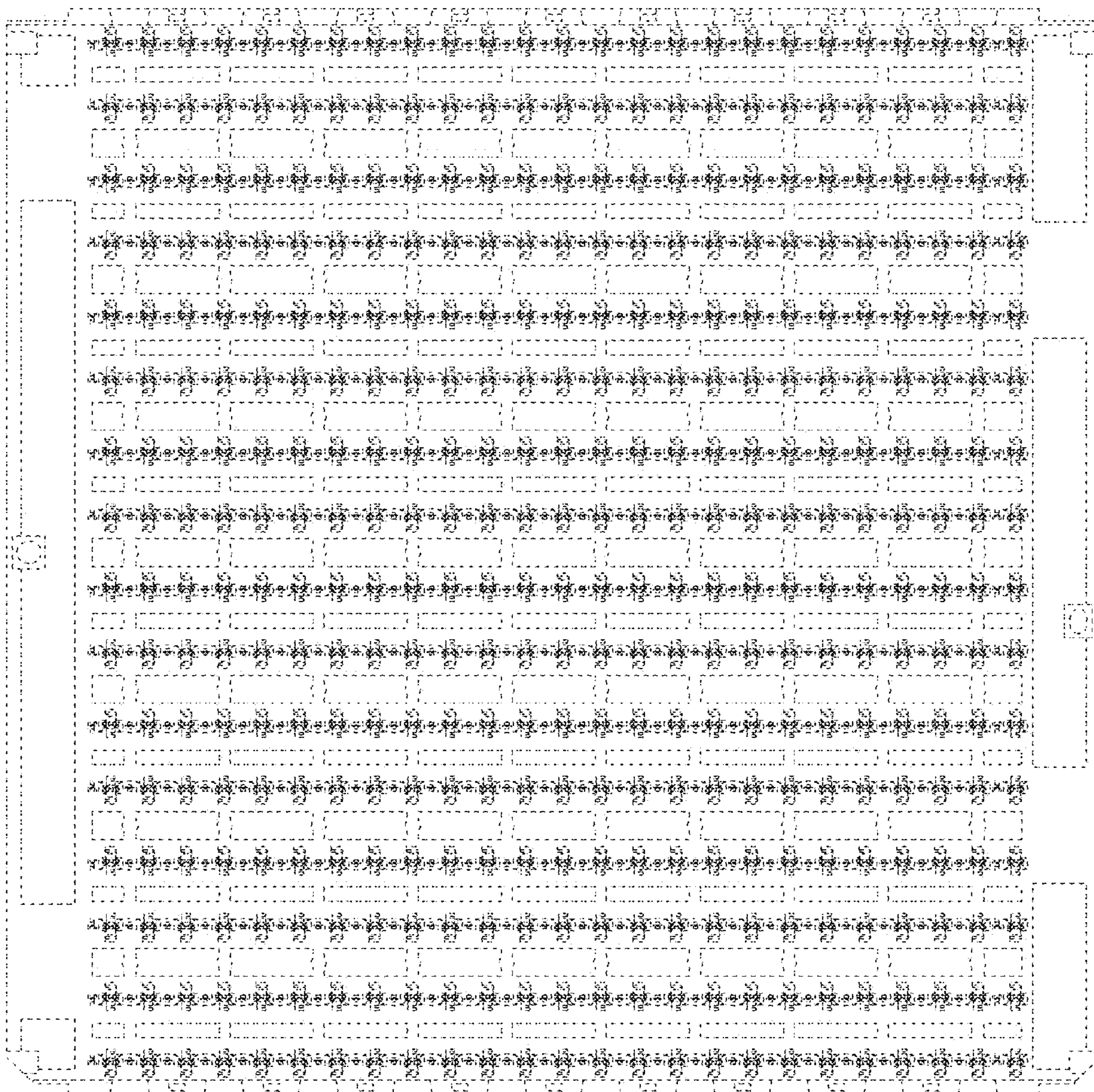


FIG. 22

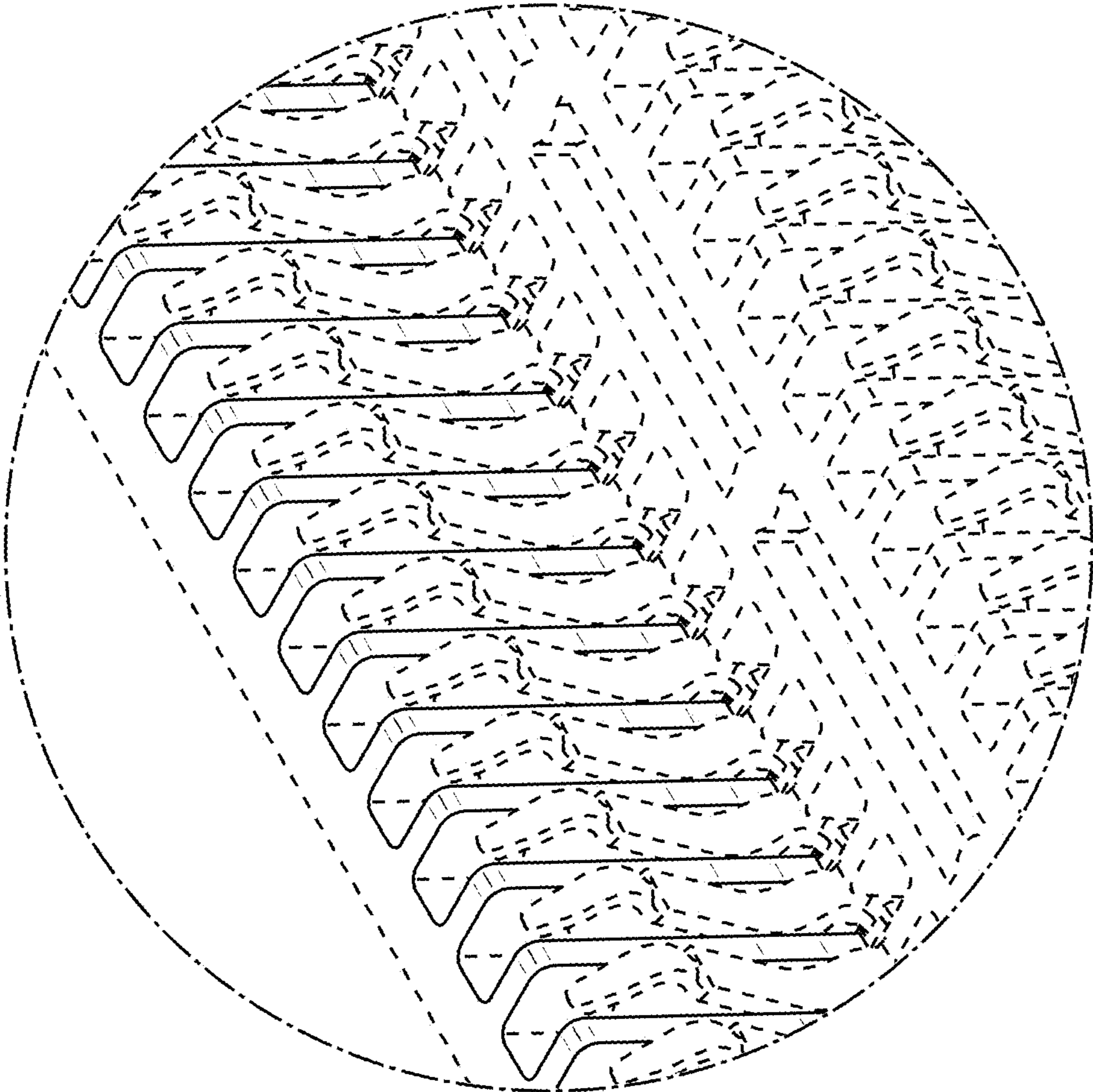


FIG. 23

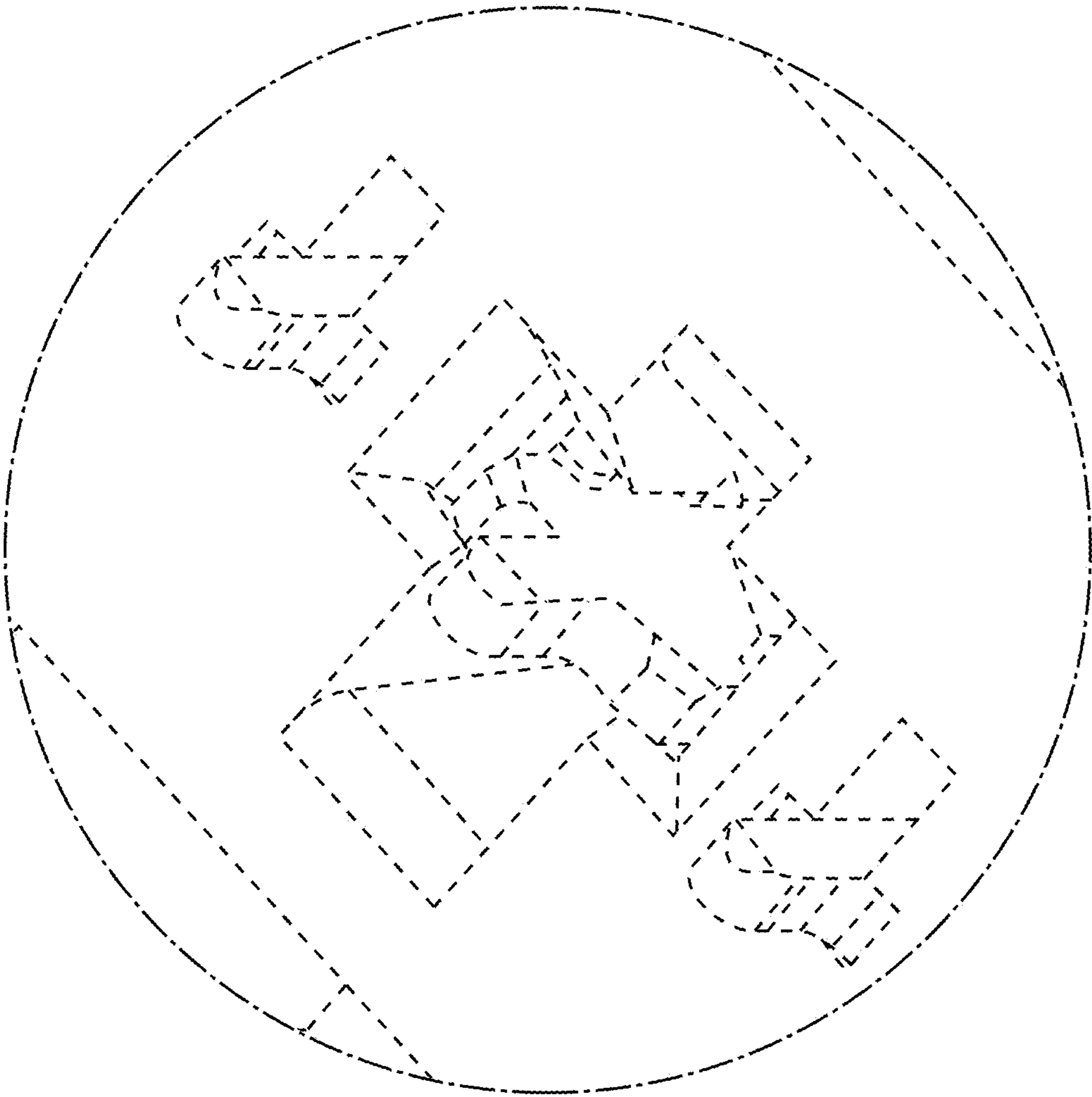


FIG. 24